



C176L

Caple In Column Integrated Larder



TECHNICAL INFORMATION

Technical data

Factory Code

RE 154 A

Dimensions

Height	85.5	cm
Width	54.0	cm
Depth	55.0	cm

Capacity

Total

gross	157	l
net	154	l

Cooling

net	154	l
-----	-----	---

Electrical connection

Voltage	220 - 240	V
Frequency	50	Hz

Power consumption

in 24 hours	0.55	kWh
-------------	------	-----

Compressor

Type	EMT 26 CLP	
Capacity (CECOMAF)	59	W

Refrigerant

Type	R 600 a	
Quantity	20	g

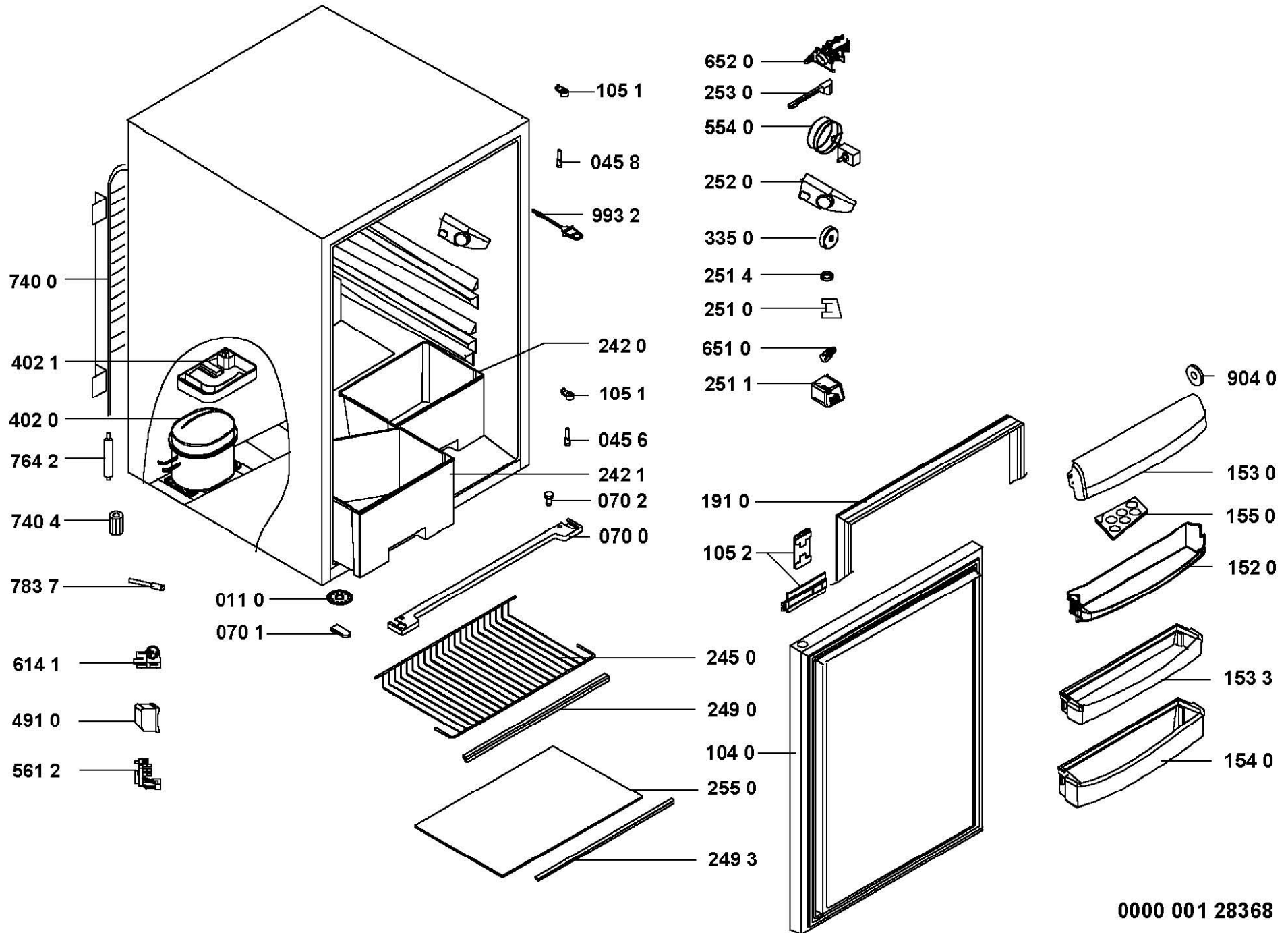
Thermostat switching value

Switch on temperature min.	+ 4.5	°C
Switch on temperature max.	+ 4.5	°C
Switch off temperature min.	- 16.0	°C
Switch off temperature max.	- 30.0	°C

Spare part list

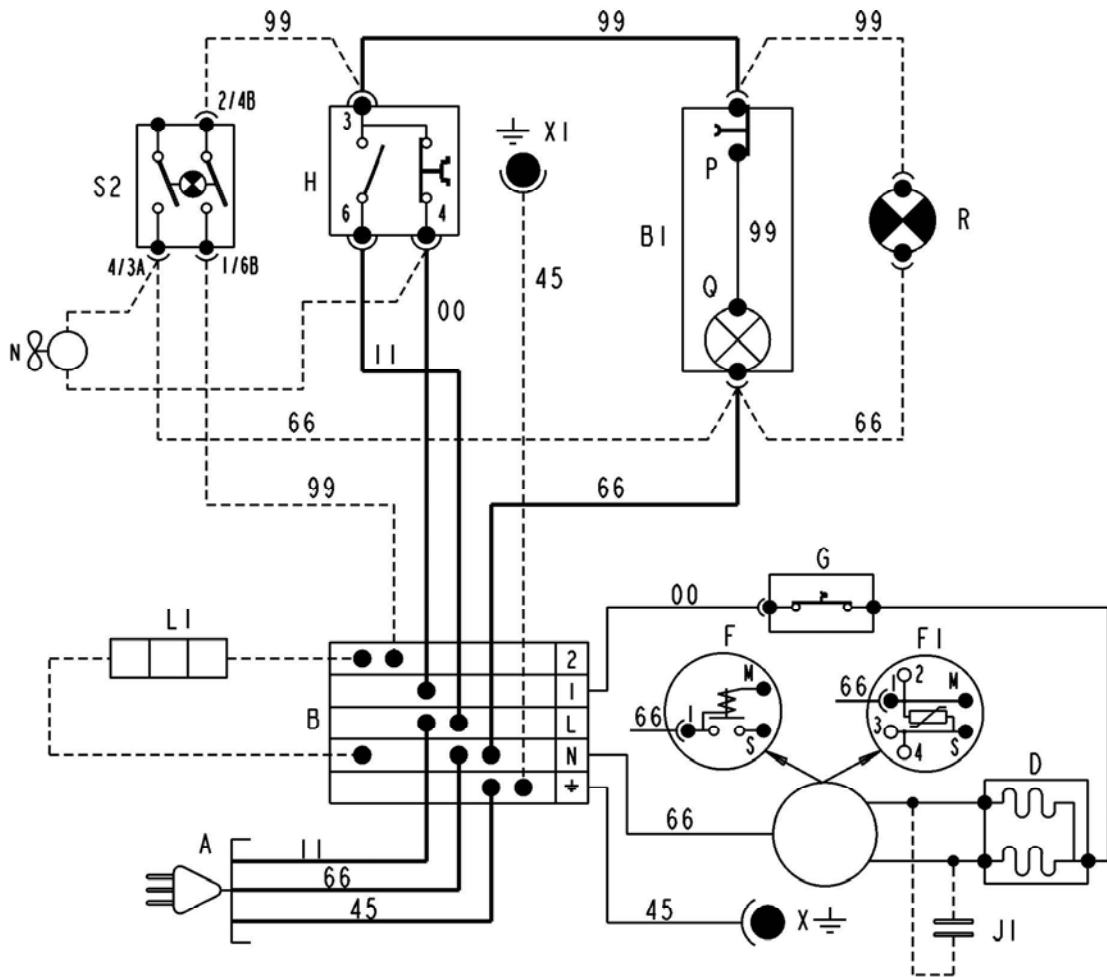
Model C176
Service No. 853937615000
Version 853937615000

Pos. No.	12NC Code	Description
011 0	4819 500 18123	Foot
045 6	4819 500 18151	Pin,hinge
045 8	4819 535 98188	Bolt
070 0	4812 460 98068	Plinth
070 1	4812 460 49422	Insert
070 2	4812 404 18419	Bracket
104 0	4812 416 18845	Door,refriger.
105 1	4819 532 68815	Bushing
105 2	4819 310 39838	Guide kit
152 0	4812 418 28459	Door,dairy
153 0	4812 310 28085	Flap f. door dairy
153 3	4819 418 79332	Door,dairy
154 0	4819 418 79479	Bottle shelf
155 0	4812 418 28013	Holder, eggs (6 pcs.)
191 0	4819 468 18128	Magnetic seal
242 0	4819 418 79503	Crisper
242 1	4819 418 79502	Crisper
245 0	4819 458 68187	Grid
249 0	4819 460 89469	Trim
249 3	4819 460 89247	Trim
251 0	4812 380 28018	Reflector
251 1	4812 440 78294	Cover lamp
251 4	4812 458 28001	Gasket f. lamp holder
252 0	4812 462 79653	Cabinet lamp / thermostat
253 0	4812 535 98053	Altern.switch f. light
255 0	4819 466 78441	Crisper cover
335 0	4812 413 58891	Knob thermostat
402 0	4812 360 38764	Compressor EMT 26 CLP
402 1	4812 418 48535	Tray,compressor
491 0	4819 462 79805	Cover,conn.bloc
554 0	4819 271 29029	Thermostat A13-0434-30
561 2	4819 290 68367	Connectionblock ,Zanussi
614 1	4812 690 28012	Monoblock
651 0	4819 134 88135	Lamp 220V 15W
652 0	4812 255 18203	Holder,lamp
740 0	4819 511 48512	Condenser
740 4	4812 440 48012	Holder condenser
764 2	4819 480 28144	Dryer
783 7	4812 170 88001	Tube
904 0	4819 468 18282	Damping part
993 2	4819 690 28169	Swab
993 9	4819 310 39406	Door revers.Kit (n.shown)



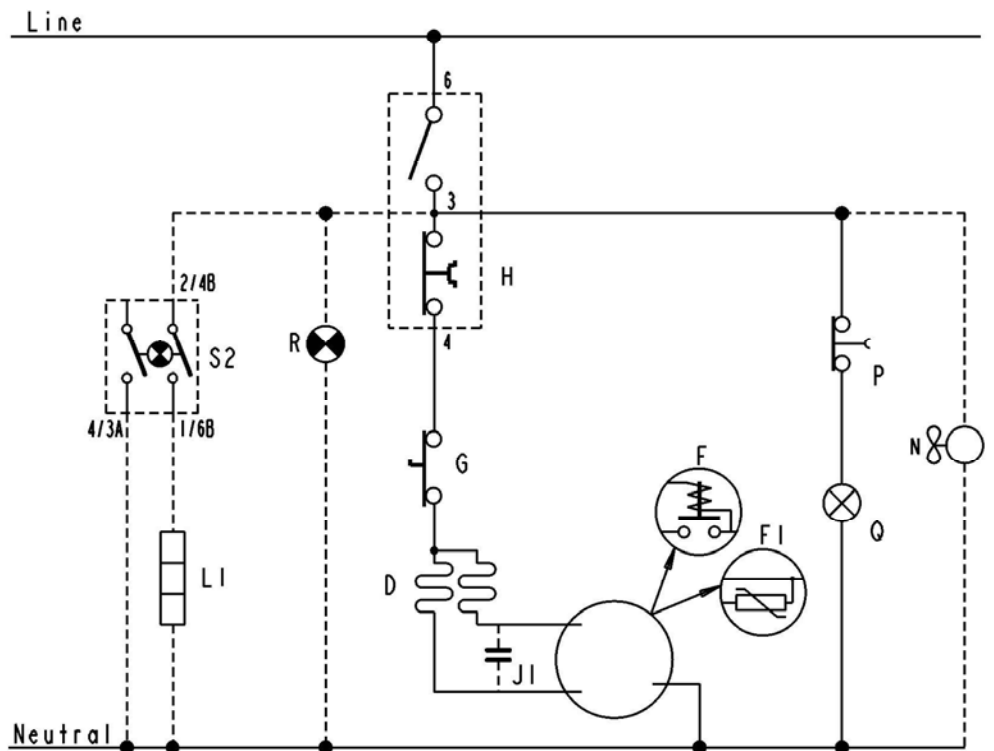
0000 001 28368

Circuit and Wiring diagram



- A PLUG
- B MAIN CONNECTING BLOCK
- BI CONNECTING BLOCK
- D REFRIGERATOR COMPRESSOR
- F STARTING RELAY
- FI P.T.C.
- G OVERLOAD PROTECTOR
- H REFRIGERATOR THERMOSTAT
- JI RUNNING CAPACITOR
- LI FREEZING HEATER
- N FUN-MOTOR
- P PUSH-SWITCH
- Q LAMP
- R GREEN PILOT-LAMP
- S2 YELLOW PILOT-LAMP SWITCH
- X COMPRESSOR HEATING
- XI THERMOSTAT HEATING

- 00 BLACK
- 11 BROWN
- 22 RED
- 33 ORANGE
- 66 BLUE
- 77 VIOLET
- 88 BLUE-SKY
- 99 WHITE
- 45 YELLOW-GREEN
- OPTIONAL



4619 500 87421B