



C176L

Caple In Column Integrated Larder



INSTRUCTION MANUAL

ENVIRONMENTAL HINTS

Packing

Do not throw the packing into the garbage: first sort out the different materials (i.e.: steel, cardboard, polystyrene), following local regulations.

Conformity declaration

This appliance incorporates parts intended to come into contact with foodstuffs in compliance with EEC directive 89/109/CEE.

Information

This appliance is free of CFC's (refrigerant circuit contains R134a) or free of HFC's (refrigerant circuit contains R600a - Isobutane). For more details, please refer to the rating plate on the appliance.

For appliances with Isobutane (R600a)

The refrigerant Isobutane is a natural gas of high environmental compatibility but which is inflammable. Therefore, it is essential to ensure that the ducts of the refrigerant circuit do not get damaged.

KNOW YOUR APPLIANCE

The refrigerator you have just purchased allows you to store fresh foods. If equipped with a low temperature compartment, it allows the storage of frozen foods and the production of ice cubes as well. Please read the following instructions carefully. They include a full description of your appliance and useful hints to enable you to achieve the correct performances required to store foods.

DESCRIPTION OF THE APPLIANCE (Fig. 1)

- A) Thermostat (Depending on the model)
- 1) Light switch
 - 2) Temperature control knob for both compartments (thermostat)
 - 3) Low temperature compartment
 - 4) Adjustable shelves (in height)
 - 5) Crisper drawers
 - 6) Inner door liner with shelves
 - 7) Butter and eggs compartment
 - 8) Defrosting button

INSTALLATION

This appliance is for building-in and do not install it as a free-standing unit.

- Please ensure that your appliance is undamaged. Any transport damage must be reported to your dealer within 24 hours of receipt.
- Do not install the appliance near to heat sources such as cookers, central heating, boilers, sunlight, etc. It must however be located in a well ventilated dry space.
- To install this appliance in a column, please follow the separate instructions supplied.
- Make sure that the column is provided with an air inlet at the front and an air outlet at the rear (Fig. 2).
- Leave the appliance to stand for 1 h prior to connecting it to the mains. In the meantime clean the compartments (see chapter "Maintenance") and fit the accessories (Fig. 3).

ELECTRICAL CONNECTION AND OPERATION

Please check that the voltage indicated on the rating plate situated inside the compartment (Fig. 5) corresponds to the voltage in your home (Fig. 4).

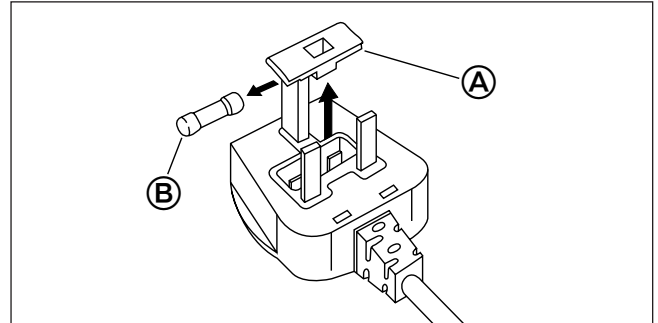
The earthing of this appliance is compulsory by law. The manufacturer will accept no liability for injury to person or damage to objects arising from the non-observance of this requirement.

FOR GREAT BRITAIN ONLY

ELECTRICAL INFORMATION

"WARNING - THIS APPLIANCE MUST BE EARTHED" FUSE REPLACEMENT

If the mains lead of this appliance is fitted with a BS 1363A 13 amp fused plug, to change a fuse in this type of plug use an A.S.T.A. approved fuse to BS 1362 type and proceed as follows:



1. Remove the fuse cover (A) and fuse (B)
2. Fit replacement 13A fuse into fuse cover
3. Refit both into plug.

IMPORTANT: The fuse cover must be refitted when changing a fuse and if the fuse cover is lost the plug must not be used until a correct replacement is fitted. Correct replacements are identified by the colour insert or the colour embossed in words on the base of the plug. Replacement fuse covers are available from your local electrical store.

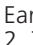
CONNECTION TO A REWIREABLE PLUG

If the fitted plug is not suitable for your socket outlet, then it should be cut off and disposed of in order to avoid a possible shock hazard should it be inserted into a 13A socket elsewhere. A suitable alternative plug should then be fitted to the cable. The wires in this mains lead are coloured, in accordance with the following code:

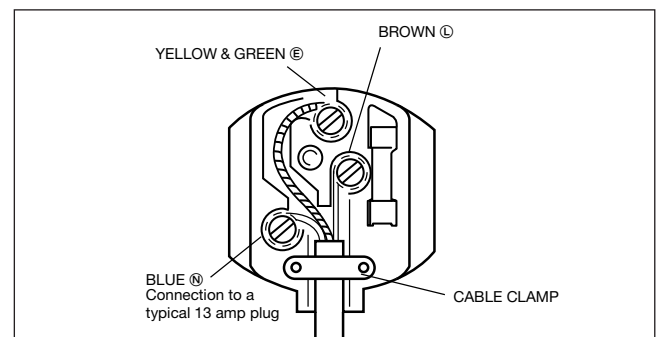
BLUE- "NEUTRAL" ("N")

BROWN- "LIVE" ("L")

GREEN AND YELLOW - "EARTH" ("E")

1. The GREEN AND YELLOW wire must be connected to the terminal in the plug which is marked with the letter "E" or by the Earth symbol  or coloured green or green and yellow.
2. The BLUE wire must be connected to the terminal which is marked with the letter "N" or coloured black.
3. The BROWN wire must be connected to the terminal which is marked with the letter "L" or coloured red.

For the Republic of Ireland only



The information given in respect of Great Britain will frequently apply, but a third type of plug and socket is also used, the 2-pin, side earth type. In this case, the wire which is coloured GREEN AND YELLOW must be connected to the EARTH contact, and the other two wires to the two pins, irrespective of colour. The supply to the socket must be fitted with a 16 amp fuse.

If the plug and the wall socket do not comply, have the socket replaced by a qualified electrician.

He should also check that the section of the socket wires can withstand the power absorbed by the appliance.

The use of the adapters, multipole sockets and extension cords is not advisable.

If absolutely necessary, use simple or multiple adapters and extension cords in compliance with local safety regulations paying attention not to exceed the maximum amperage, which is marked on the simple adapters and on extension cords and that of the total power marked on the multiple adapters. When the appliance is plugged in, the interior light should come on when the door is opened. Turn the thermostat control knob as indicated in chapter "Thermostat". The refrigerator is now ready for use.

ADJUSTMENT OF THE TEMPERATURE

The thermostat (Fig. 1/A) controls the temperature inside the appliance.

Position ● indicates that the operation of the appliance is interrupted and the interior light is off.

To obtain the best storage of foods, we suggest you adjust the thermostat control knob to an intermediate position.

To obtain colder temperatures inside the appliances, turn the thermostat control knob towards the higher settings. Contrarily, should the inside temperature be too cold, turn the thermostat control knob towards settings 2-1.

We remind you that internal temperatures are affected by the location of the appliance, the temperature of the surrounding air, the frequency of door opening. The setting of the thermostat may have to be varied to allow for these factors.

STORAGE OF FOODS (Fig. 6)

In the refrigerator compartment the temperature varies dependent on the section. The coldest one is near the crispers and the rear wall.

In the ❄️ compartment, if provided, a temperature of -18°C is reached, allowing the storage of frozen foods for some months.

The storage time depends on the nature of the foods and is generally given on the frozen foods packets.

If foods start to thaw, they must not be refrozen, but used within the least possible delay.

All items stored in the refrigerator compartment should be wrapped in cling film, aluminium foil or kept in a covered container.

This prevents foods from becoming dry on the surface and also stops strong smells and flavours being transferred from one food to another.

The space inside the appliance can be organised to suit your needs by moving the shelves. We suggest you store foods as illustrated in Fig. 6.

Attention: Do not store glass containers in the ❄️ compartment nor warm foods in the refrigerator compartment. Fizzy drinks should not be frozen and some products, such as flavoured water ices, should not be consumed too cold.

PRODUCTION OF ICE CUBES

(for appliances provided with a low temperature compartment)

Three-quarters fill the ice cube trays with water and place them in the low temperature compartment.

If the trays stick to the bottom of the compartment, do not detach them with sharp or cutting instruments which could damage the appliance.

Use, if required, the handle of a spoon.

To allow removal of cubes from the plastic trays, twist the trays slightly.

Attention: Do not eat ice cubes or ice lollies immediately after removal from the low temperature compartment as they may give rise to cold burns.

DEFROSTING THE APPLIANCE

- If your appliance is not provided with the low temperature compartment, defrosting is automatic.

During the defrost cycle water droplets drip along the rear wall, the water is then conveyed to a tray situated on the compressor casing where it evaporates.

- If your appliance is provided with the ❄️ compartment, to keep energy consumption low, we recommend that you periodically remove excessive ice and frost from the inside of the compartment.

Never use sharp or cutting instruments.

We suggest you defrost when the layer of frost has attained a 3 mm thickness (Fig. 7).

To defrost, proceed as follows:

- disconnect the appliance from the mains (Fig. 8);

- empty the ❄️ compartment;

- turn the thermostat control knob to position ●;

- dry defrost water with a sponge or a cloth (Fig. 9).

At completion of defrosting, dry the compartment walls, connect the appliance to the mains, turn the thermostat control knob to the position required, referring to chapter "Adjustment of the temperature".

Also for this model, the defrosting of the refrigerator compartment is automatic.

APPLIANCE WITH LOW TEMPERATURE COMPARTMENT

We suggest you defrost when the layer of frost reaches a 3 mm thickness (Fig. 7).

To defrost:

Ensure that the drip tray is emptied and placed under the drain.

Empty the low temperature compartment. It is not necessary to empty the refrigerator compartment.

Defrosting can be carried out in two ways:

Accelerated defrosting

Disconnect the appliance from the mains (Fig. 8).

Place a bowl with warm water (50°C approx.) in the low temperature compartment and leave the refrigerator door open (Fig. 10).

If required, change the water.

When the frost has melted, clean the inside and reconnect the appliance to the mains supply.

Normal defrosting

Press the button (8) in the centre of the thermostat control knob and close the door.

When the frost has melted, the switch will return to its original position and the refrigerator will automatically operate. After defrosting, remove the bowl with water and place the ice cubes tray in the low temperature compartment.

Note: Do not use sharp or cutting instruments to remove the frost.

Do not use electric heaters or other heat sources.

MAINTENANCE AND CLEANING

Always disconnect the appliance from the mains supply, prior to any cleaning or maintenance operation.

To clean the inside of the appliance and the accessories, we suggest you use a solution of lukewarm water and vinegar. Never use abrasives, detergents or soaps.

The shelves are hooked at both sides of the inner door liner. Periodically clean the water tray, situated on the rear compartment wall (Fig. 11). Use a pencil or a similar tool.

Clean the door gasket with water and dry carefully.

Avoid soiling the door gasket with oil or any other grease which could damage it.

After cleaning, reconnect the appliance to the mains.

HINTS FOR HOLIDAYS

If you plan to be away for a long time, disconnect the appliance from the mains or turn the thermostat control knob to position ●, empty and clean the inside. Leave the door open to prevent the appliance from smelling musty.

If you plan to be away for a short time, let the appliance operate normally.

INTERIOR LIGHT

The interior light switches on when the door is opened and switches off when it is closed.

SERVICE

The incorrect operation of the appliance is not always due to a fault, but may also result from poor installation or usage. To prevent unnecessary service calls for which you will be charged, we suggest you consult this trouble-shooting guide.

1. The temperature in the compartment is not cold enough.

Check that:

- the door is properly closed;
- the thermostat control knob is in the correct position (see chapter "Adjustment of the temperature");
- the appliance is not too close to a heat source;
- the air flow is not restricted;
- the low temperature compartment is not covered with a thick layer of frost;
- the condenser is clean (**Fig. 12**).

2. The temperature in the compartment is too cold.

Check that:

- the thermostat control knob and the drip tray (if provided) are in the correct position.

3. The appliance is excessively noisy.

Check that:

- the appliance is level.

4. The appliance does not work at all.

Check that:

- the thermostat control knob is not on position ●;
 - there is not a power failure;
 - the supply plug is making good contact with the supply socket;
- Check the plug fuse by connecting another appliance to the supply socket.

FOR GREAT BRITAIN ONLY

Check the plug fuse (if fitted). A 13 Amp fuse must be fitted. Try a new fuse. Check removable plugs for loose connections and tighten if necessary.

Loose connections can cause overheating of the plug: where this has occurred, replace the plug.

- the supply cable is broken (**see also Note**).

5. The interior light does not work.

Check that there is not a power failure.

In the negative, disconnect the appliance from the mains.

Remove the cover (**Fig. 13a-13b**) and check that the bulb is not loose. If required, tighten it.

If the bulb is faulty, replace it by a new one (15 W max.) (**Fig. 14**).

6. Water on bottom of the refrigerator compartment.

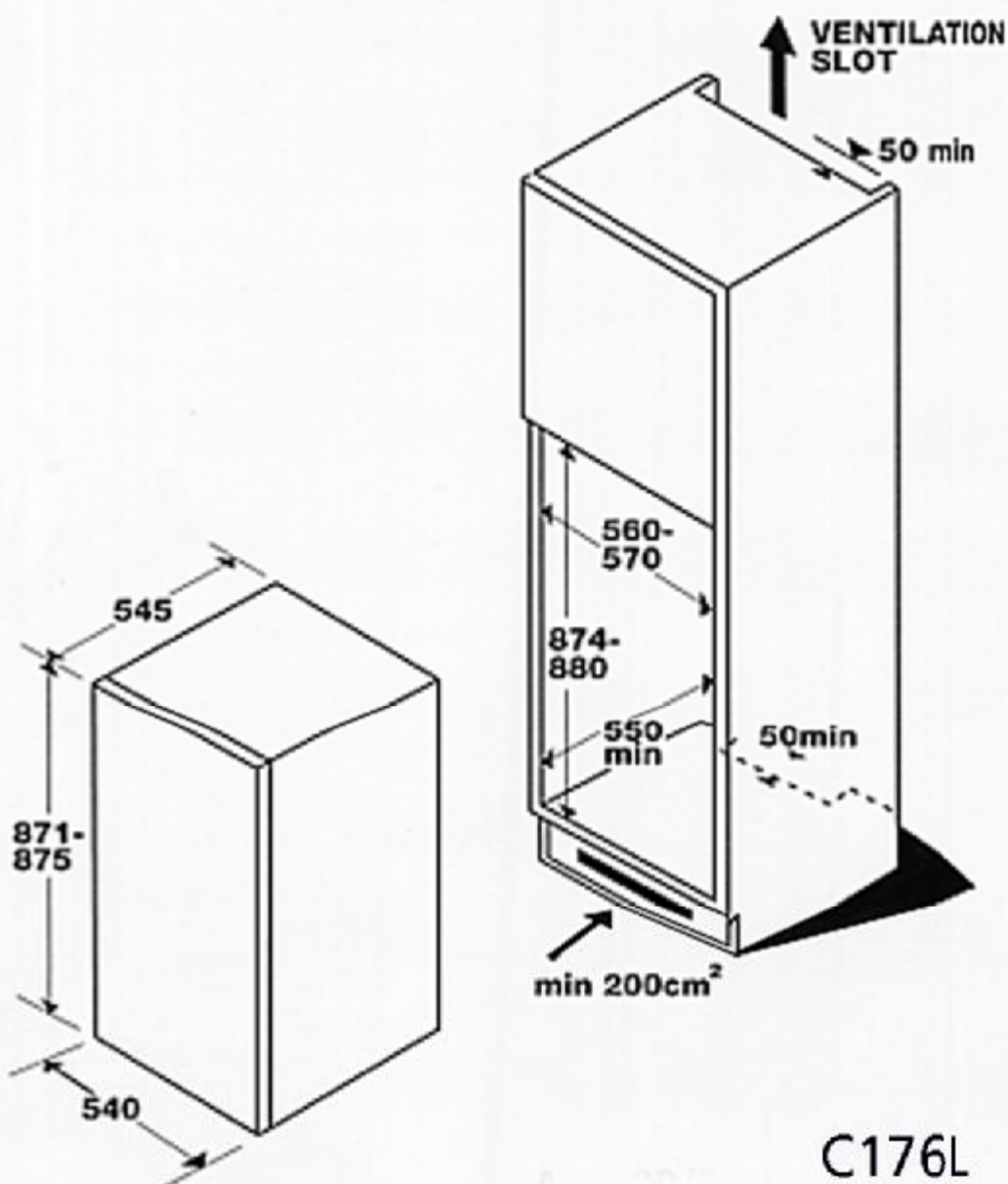
- Check that the drain situated on the rear wall (**Fig. 11**) is not obstructed. If necessary clean it.

Note: To replace the supply cable, unplug the appliance and fit the new cable, ensuring that it is fitted correctly.


If you have followed the above checks and your appliance still does not work properly, get in touch with the Service Division (**Fig. 15**).

Addresses and telephone numbers can be found on the Service card.

State clearly what is wrong and the type and serial number of your appliance.



C176L
▪ CAPLE ▪

	C176L
12nc	8539 376 15000
product family	10
mag	F08
sag	1050
product group code	BI
brand code	CP
brand description	CAPLE
supplier	TRENTO
supplier code	04
ean code	NO EAN CODE
date of first production	2003-02-XX
date of phase out	
old 12nc	New
old com code	New
product category	Refrigerator
product type	One-door table top
construction type	Full-integrated
number of compressors	1
number of independent cooling systems	1
structure	IR 9M
star rating	AUT
gas in the circuit	HFC
hinges	Rail
door colour	White
body colour	White
decor frame	No
decor frame options	Not possible
aesthetics	IGLOO
shelf type	Wire
frame type	Profile white
current (A)	13
voltage (V)	220-240
frequency (Hz)	50
cord set (cm)	245
plug type	UK plug
nominal power (W)	80
gross volume total (l)	157
gross volume total (cu ft)	5.54
gross volume fridge (l)	157
gross volume fridge (cu ft)	5.54
gross volume freezer (l)	0
gross volume freezer (cu ft)	0
net volume total (l)	154
net volume total (cu ft)	5.44
net volume fridge (l)	154
net volume fridge (cu ft)	5.44
net volume freezer (l)	0
net volume freezer (cu ft)	0
Height (mm)	871
Width (mm)	540
Depth (mm)	545
product dimensions (hxwx d)	871x540x545
net weight (kg)	33
packed dimensions (hxwx d)	940x590x620
packed weight (kg)	35
niche dimensions (hxwx d)	874x560x550
energy class pm	B
energy (kwh/24h)	0.55
kwh/ year	208
kwh/ 100 l	0.36
climatic class	N

freezing capacity (kg/24h)	No
rising time (h)	No
noise level (dba)	33
frost free system	No
carton material (type-gr)	Cardboard - 1428
plastic foils (type-gr)	No
plastic braces (type-gr)	PP braces - 37
eps (gr)	660
fast freezing compartment	No
ice cube/eutetics compartment	No
ice cube tray	No
number of eutetics	No
freezer drawers pm	No
freezer flaps	0
freezer shelves	No
food calendar	No
defrost water drain	Back
ice cube box	No
convertible temperature compartment	No
shelves including crisper cover	4
number of adjustable shelves	3
shelf composition	(3x1, 1x1-glass)
Top Shelf Description	Wire
2nd shelf description	Wire
3rd shelf description	No
4th shelf description	No
crisper cover description	Glass, profile white
crisper type	Transparent
number of crisper drawers	2
pull out vegetable drawer	No
number of balconies	3
balcony composition	(3x1)
top balcony	Dairy Compartment, white
2nd balcony	Transparent
3rd balcony	Bottle balcony, white
4th balcony	No
5th balcony	No
dairy compartment	1 flap, transparent
bottle holder	No
bottle retainer	No
egg tray	1 x 6-transparent
butter box	No
inner door	Igloo
defrosting system	Automatic
on/off green light	No
temperature alarm light (red)	No
acoustic alarm	No
fast cooling switch	No
fast freezing switch (button/light)	No
freezer defrost button	No
on/off switch freezer	No
on/off switch fridge	On thermostat
freezer thermostat/temperature adj freezer	No
fridge thermostat	7 positions plus off
thermometer fridge section	No
thermometer freezer section	No
Fan ventilator	No
ventilation	Thru kitchen plinth
handle	No
hinge position	Right-mounted
reversible door hinge	Yes
cover door installation system	Slided-mounted
spg code	FRIDGESBICABINET
	800