



RIF1797

Caple 177cm Integrated Freezer



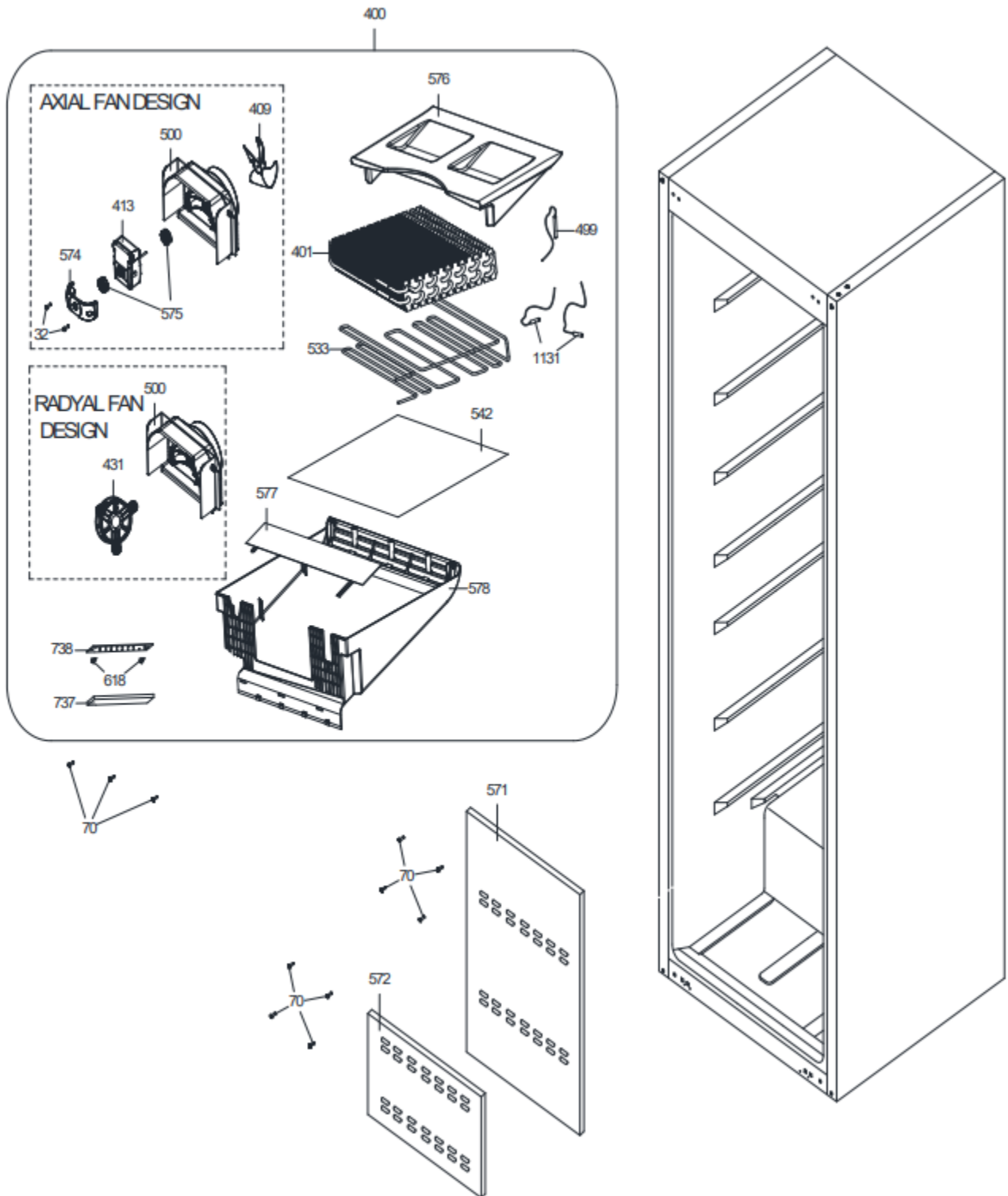
Technical Manual





RIF1797

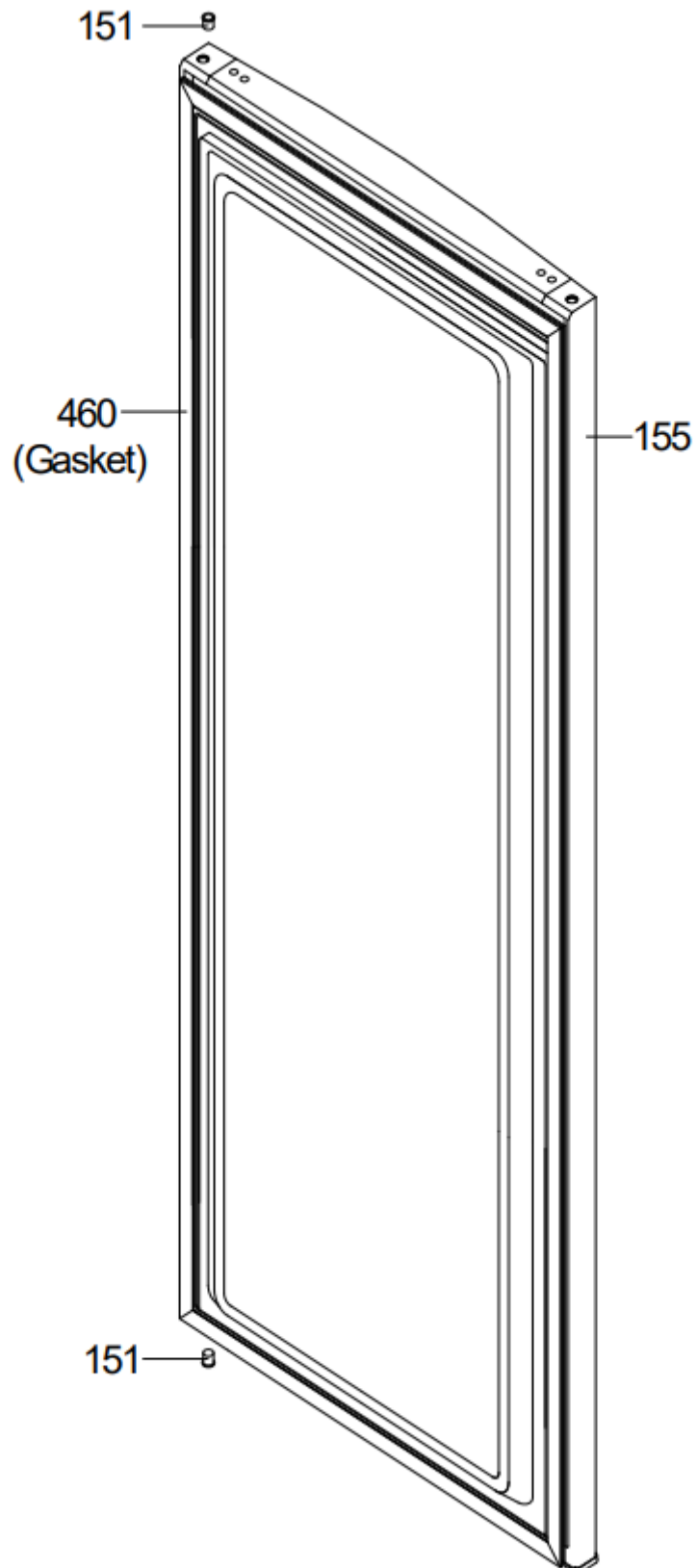
Caple 177cm Integrated Freezer





RIF1797

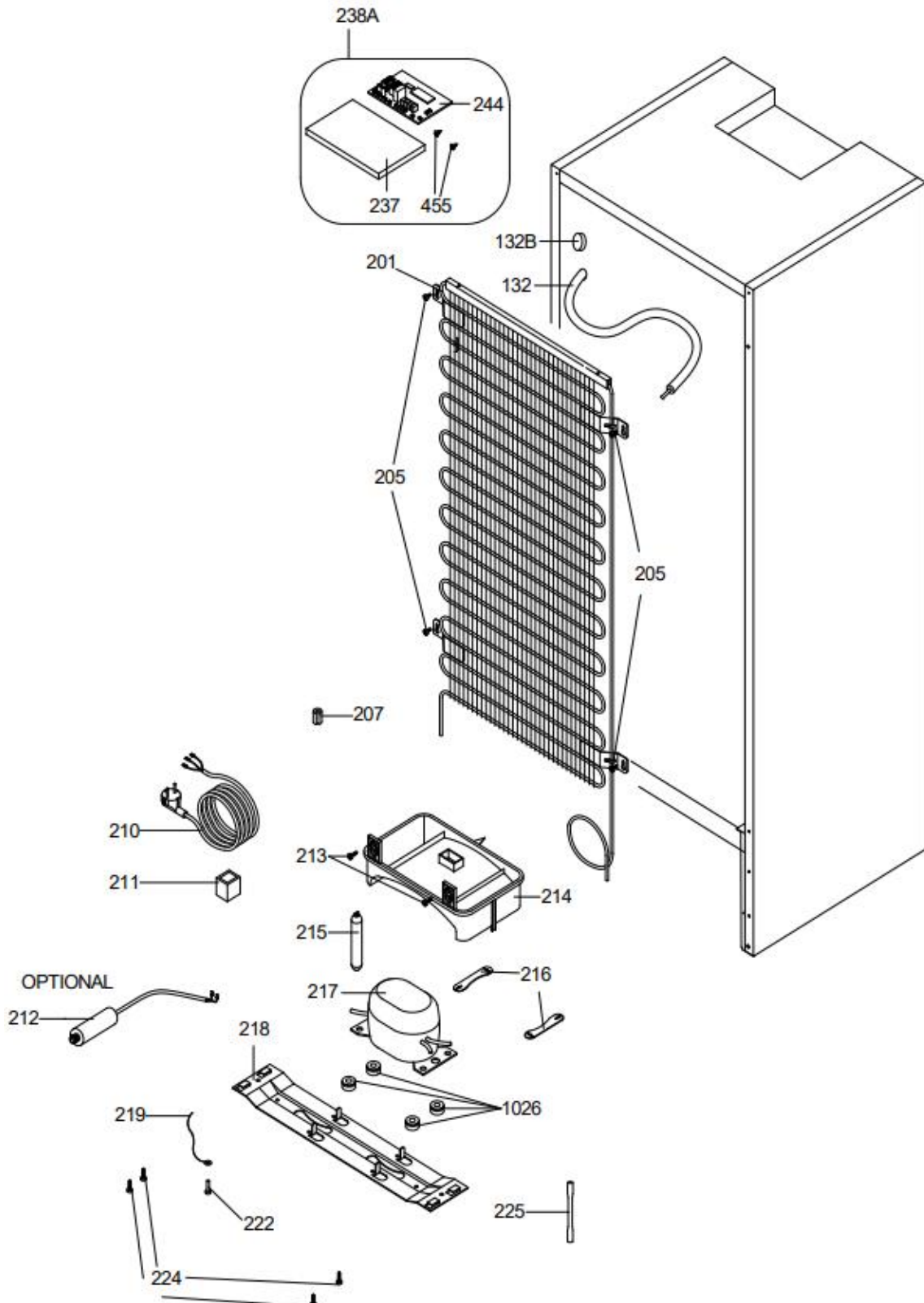
Caple 177cm Integrated Freezer





RIF1797

Caple 177cm Integrated Freezer





RIF1797

Caple 177cm Integrated Freezer

Item	Part Number	Description
2	37028246	BOTTOM/TOP HINGE SS/1400 BUILT HEX PIN
6	42157901	HEAD PANEL /2791 (SW)P432C SRGF
7	37032597	SCREW TT M5*16 YSB-F
11	42290855	DOOR H. SC. CAP LDPE (SNWWHITE)
12	42032778	MIDDLE HINGE SREW CAP(BIG)S.W.(NEW)
29	42157903	HEAD PANEL BUTON /2791 (SW) 432SRGF
30	42136560	LIGHT CARRIER 2451
37	47015329	GLASS SHELF/2791
37A	42160778	F.ICE MAKER GLASS SHELF PRF/2791(EXT)WH
37B	42219574	FREEZER GLASS SHELF TRIM/2791(S.W.)
38	42212429	CAM BZM/2791 GR
38	42159581	GLASS SHELF ICEMATIC/2791
38C	42133761	GLASS SHELF REAR CORNER TRIM 4MM RIGHT
38D	42133765	GLASS SHELF REAR CORNER TRIM 4MM LEFT
61	42190020	ICEMATIC GR/473 (WH-GREY)NEW 432C \$
62	42129530	ICE TRAY COVER/473
63	35000731	ICE TRAY SPRING
64	42181783	ICETRAY 473
65	42057541	ICE TRAY KNOB/CUBE(S.W.) SNOW
66	42135738	ICEMATIC FRAME/473(S.W.)432C SRGF
67	42138251	ICE BOX/473 (WH.GRI) 432C SRGF (NEW)
70	37035782	SCREW KA 40*14 YSB-C-A3K
76	42152836	HEAD PANEL COVER 2791 RIGHT S.W
76B	42152837	HEAD PANEL COVER 2791 LEFT S.W
77	42152838	HEAD PANEL COVER 2791 S.W
93-569	42158044	FRZ BOTTOM BASK.GR/319(TRANS-GRAY)FLM
93-569	42157051	BOTTOM BASK.GR/319(TRANS-GRAY)
102	32043035	HEAD PANEL GR/2791E /E-F/(S.W)432C \$ RV1
117	42302446	F COVER SUPPORT R/322(S.W.) RV1
120	42302447	F COVER SUPPORT I/322(S.W.) RV1
132	42040560	COVER TUBE(T5*Ã~13*1750)SN10/391
132B	42285266	BACK COVER_RCY_PPMCF40
151	42004499	BUSHING/1400 ANK
151	42128089	BUSHING/345P(NAT) RV1
155	22316896	DOOR ASSY/2791 ANK S-CAP(S.W)4*DES RV
190	37008328	SCREW 35*12 YSB-R-C
201	37030438	CONDENSER 54CM/34 PASS/4,00*0,5MM(2CS)
205	35009792	SCREW ST 4.8*13 YSB-T-C
207	42155463	RUBBER CONDENSER ANTIVIBRATION



RIF1797

Caple 177cm Integrated Freezer

Item	Part Number	Description
210	32041798	POW.CRD/GR/2.5M/UK/VCC/FER
211	32046103	VFLO90CY1/INVERTER/14801
213	37022312	SCREW S YSB 4*12 C ST SPECIAL
213	35000743	SCREW 4.2*9.5 YSB-C
214	42118207	EVAPORATING TRAY GR/2500A++ S.W-FR
214	42189705	EVAPORATING TRAY/2500 ANK (NAT)-FR
215	37029499	DRYER(XH9,0.40MM,5.5GR)SINGLE
216	37047599	*COMP. FIXING BRACKET (0,8)
217	32030998	COMPR.VFLO90CY1/VCC/DN
218	37053889	COMP BASEMENT/2791 PROGRESIF
219	32036741	EARTH WIRE(PGYB)VCC-WASHER/0,50
222	37023688	SCREW TT M4*6 YSB-T-F
224	35000728	SCREW KA 50*14 YSB-F
225	37049663	SERVICE TUBE(95*6*0,7)TIP B
237	42152839	MAINBOARD COVER 2791E/V0
237/242	32053592	MAIN B./BDA52/2795/NOSW/RST- 23849781
238A	32053595	MAINBOARD COVER GR 2751E/V0/BD52/RST NAT
400	32049974	FIN EVAP GR/2791(RAD)LED/PLKREZ/SS/ICNMB
401	37027370	FIN EVAP ASSY/2791
431	32043026	RAD.FAN.MOT.1203838GE-12L-YA-1550
455	37000156	SCREW KA 30*6 YSB-F
455	37035583	SCREW ST 4*14 YSB-R-F-A3K
455	37040305	SCREW 3*8 YSB-F-A3K
455	37000156	SCREW KA 30*6 YSB-F
456	32043036	DB/BDD53/2791/E-F/R6/V127.48-23677526
460	42155754	GASKET 2791-2795 BUILT IN DETACH-I (SW)
471	42305747	FOOT SS/ANK(RIGHT)RV2 POM
472	37028128	BOTTOM HINGE PIN SS/BUILT-IN RV1
474	42305746	FOOT SS/ANK(LEFT)RV2 POM
476	42180269	SS ASM KIT/DD 54 CM RV2 (WITHOUTBRACKET)
477	22021982	TOP COVER SHEET BI/54CM SNWHITE
478	42147208	SS DOOR REAL/1400 SW RV1
478B	42180204	SS DOOR RAIL COVER/1400 ANK(S.W.)
479	42033307	SS DOOR GUIDE/1400 ANK(S.W.)
480	37001045	SCREW KA YHB 4*17 C ST CHIPBOARD
481	42217911	FURN. SPACE COVER GASKET/3200BI-SS (SW)
499	32030054	TERMAL FUSE SINGLE/500
500	42212270	RADIAL FAN HOLDER 243
510	37036052	SCREW M,YHB,5x14,F,ST,A3K,TT, LAMELLA



RIF1797

Caple 177cm Integrated Freezer

Item	Part Number	Description
533	32030053	FIN EVAP HEATER/2791/230V/180W
542	32030752	CASE HEATER GRB 2791/230V/35W
566	42307594	F FLAP COVER 319 TRAN-GRAYFLMRV
567	42306821	F.TOP BASK.GR/2791(TRANS-GRAY)FLM RV1
567	42306820	F.TOP BASK.GR/2791(TRANS-GRAY)RV1
568	42306857	FREEZER BIG BASK.GR/2791(TRANS-GRAY)RV1
568	42306859	FREEZER BIG BASK.GR/2791(TRANS-GRAY)FLM
571	42152850	MULTIFLOW COVER TOP 2791(S.W.)
572	42152849	MULTIFLOW COVER BOTTOM 2791(S.W.)
576	52189466	FIN EVAP PAD/2791
577	32030749	CESE HEATER/2791/230V/35W
578	42152848	FIN EVAP BOX/2791(S.W.)
588	37022711	SCREW S YPB 4.2*14 C ST
654	32010069	REED SWITCH PCB
737	42156712	LED COVER/243
738	32034650	LED ST/2835*6/8*129MM/BDL3 (I)
829	37012412	SCREW M YSB 4*17 C ST TT
1026	42176268	COMPRESSOR RUBBER
1131	32003768	SENSOR/VF/R16K3/1660MM/DOUBLE
	42140924	BASKET EXT TRIM/2451(AM83112FOIL)
570	42228965	F FLAP COVER GR/2791(TRA-GRAY) FLYP SRGF
	42140924	BASKET EXT TRIM/2451(AM83112FOIL)
	42228598	F FLAP COVER 2791TRAN-GRAY RV1
	42228951	F FLAP COVER 2791TRAN-GRAY
	42140924	BASKET EXT TRIM/2451(AM83112FOIL)



RIF1797 Wiring Diagram

