



RIF1796

Caple 177cm Integrated Freezer

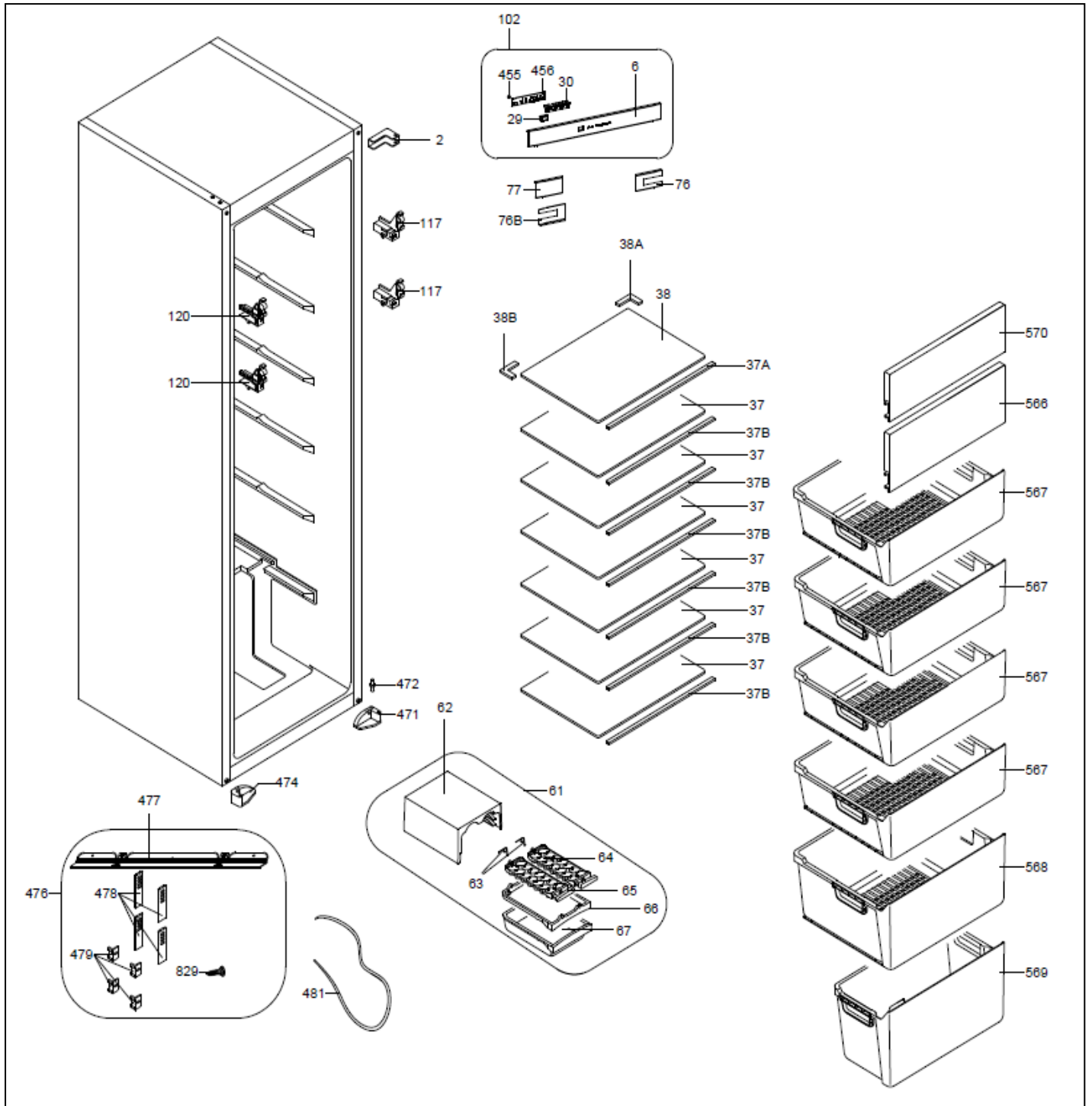


Technical Manual



RIF1796

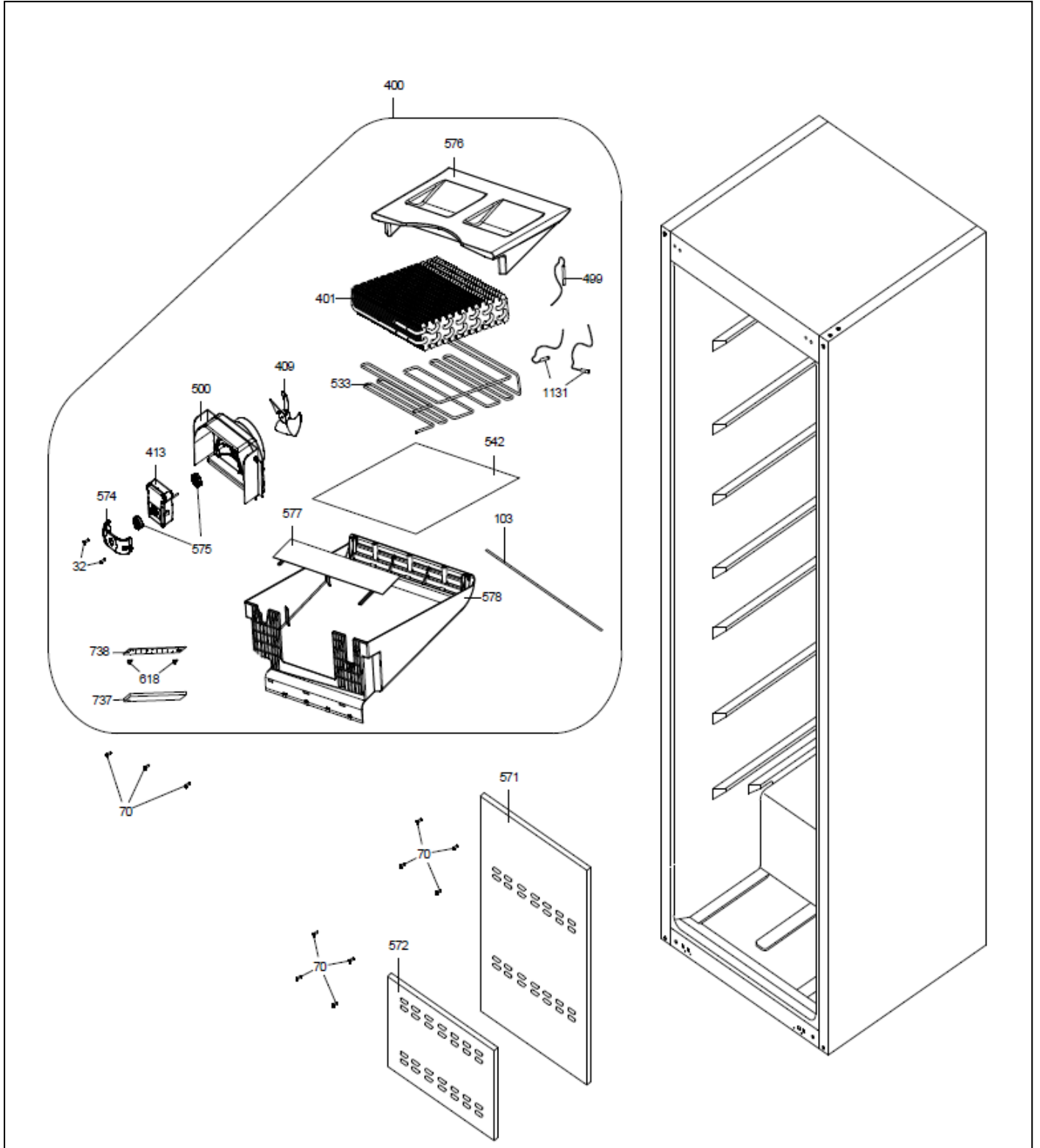
Caple 177cm Integrated Freezer





RIF1796

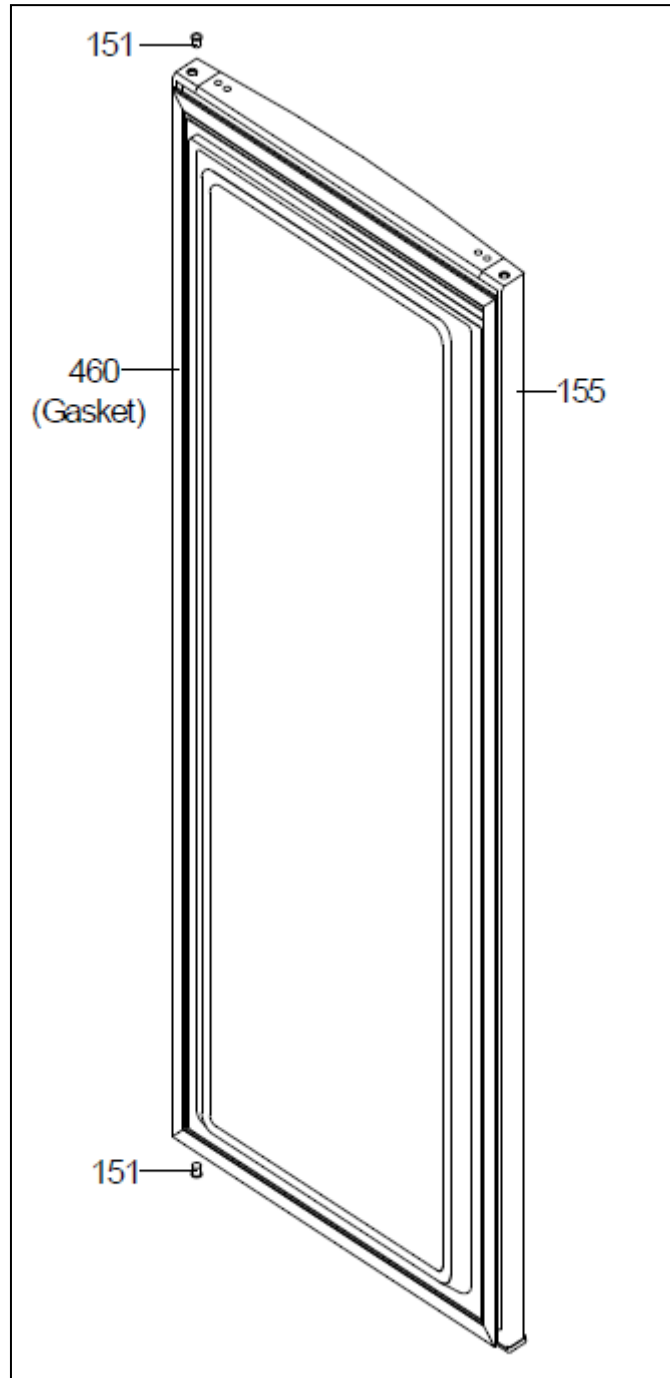
Caple 177cm Integrated Freezer





RIF1796

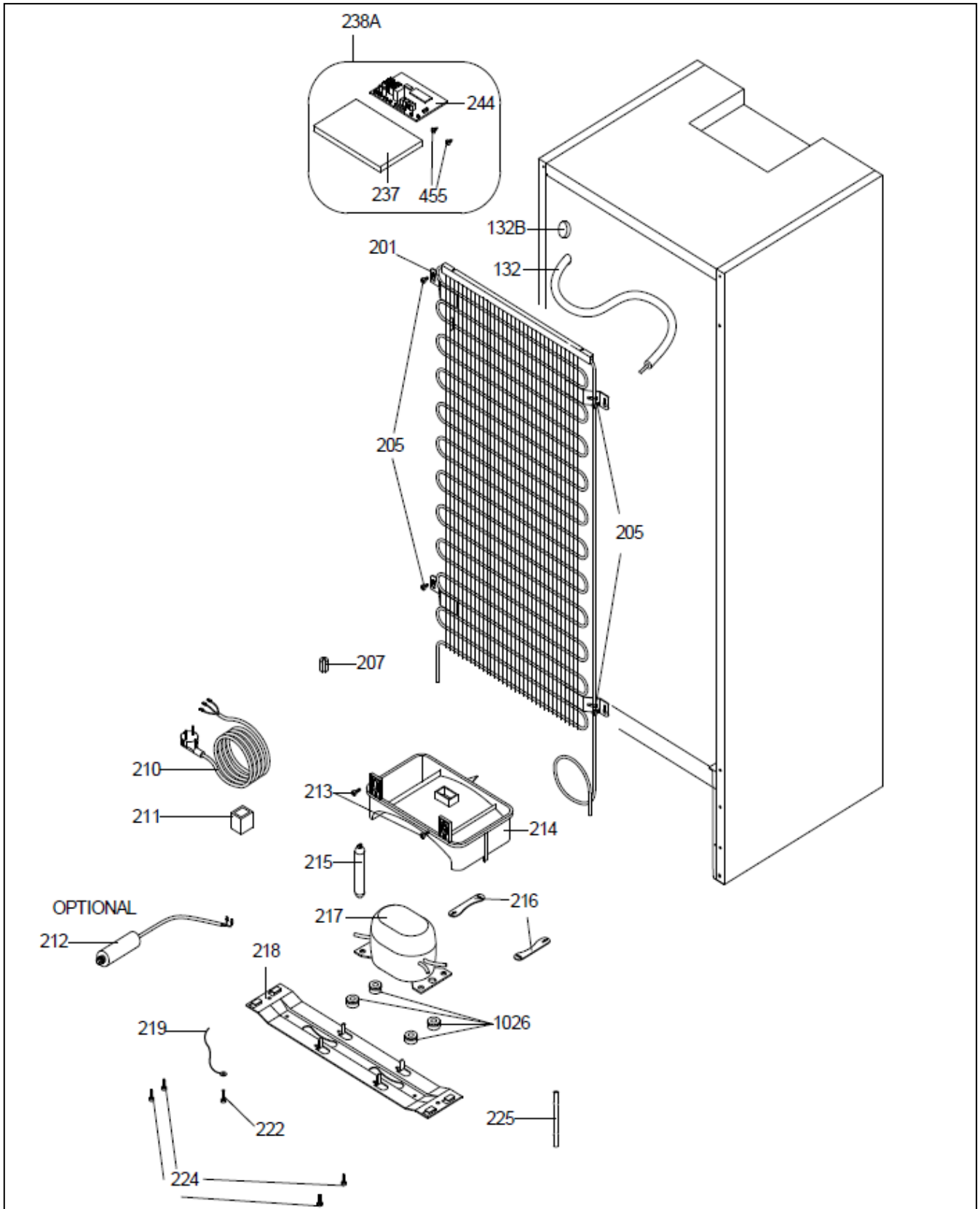
Caple 177cm Integrated Freezer





RIF1796

Caple 177cm Integrated Freezer





RIF1796

Caple 177cm Integrated Freezer

Item	Part Number	Description
2	37028246	BOTTOM/TOP HINGE SS/1400 BUILT HEX PIN
6	42157901	HEAD PANEL /2791 (SW)P432C SRGF
7	37032597	SCREW TT M5*16 YSB-F
11	42032779	MIDDLE HINGE SREW CAP(SMALL)NEW(S.W.)
12	42032778	MIDDLE HINGE SREW CAP(BIG)S.W.(NEW)
29	42157903	HEAD PANEL BUTON /2791 (SW) 432SRGF
30	42140581	LIGHT CARRIER 2451
37	47015329	GLASS SHELF/2791
37A	42160778	F.ICE MAKER GLASS SHELF PRF/2791(EXT)WH
38	42212429	CAM BZM/2791 GR
38	42159581	GLASS SHELF ICEMATIC/2791
38C	42133761	GLASS SHELF REAR CORNER TRIM 4MM RIGHT
38D	42133765	GLASS SHELF REAR CORNER TRIM 4MM LEFT
61	42190020	ICEMATIC GR/473 (WH-GREY)NEW 432C \$
62	42129530	ICE TRAY COVER/473
63	35000731	ICE TRAY SPRING
64	42181783	ICETRAY 473
65	42057541	ICE TRAY KNOB/CUBE(S.W.) SNOW
66	42135738	ICEMATIC FRAME/473(S.W.)432C SRGF
67	42138251	ICE BOX/473 (WH.GRI) 432C SRGF (NEW)
70	37035782	SCREW KA 40*14 YSB-C-A3K
76	42152836	HEAD PANEL COVER 2791 RIGHT S.W
76B	42152837	HEAD PANEL COVER 2791 LEFT S.W
77	42152838	HEAD PANEL COVER 2791 S.W
93	42158044	FRZ BOTTOM BASK.GR/319(TRANS-GRAY)FLM
102	32043035	HEAD PANEL GR/2791E /E-F/(S.W)432C \$ RV1
117	42031901	F COVER SUPPORT R/390(S.W.)
120	42031903	F COVER SUPPORT L/390(S.W.)(S.W.)
132	42040560	COVER TUBE
132B	42118012	BACK COVER
151	42004499	BUSHING/1400 ANK
151	42128089	BUSHING/345P(NAT) RV1
155	20870852	DOOR ASSY/2791 ANK S-CAP(S.W)
201	37027005	CONDENSER 54CM/28 PASS/4,00*0,5MM(2HAVS)
205	35009792	SCREW ST 4.8*13 YSB-T-C
207	42155463	RUBBER CONDANSER MUTUAL ANTIVIBRASYON
209	32036154	SUP.CAB.GR.LC100CY1/BSZ/4UF/2,5M/UK
210	32007439	POW.CRD/2.5M/UK



RIF1796

Caple 177cm Integrated Freezer

Item	Part Number	Description
211	32034570	OVER L.GR.LC100CY1/BT60-105/JPQV-15/BSZ
211B	42185442	COMP.COVER/DONPER/L1B
212	32007063	CAPACITOR 4uF/B-S3/6.3
213	35000743	SCREW 4.2*9.5 YSB-C
214	42118207	EVAPORATING TRAY GR/2500A++ S.W-FR
214	42189705	EVAPORATING TRAY/2500 ANK (NAT)-FR
215	37029499	DRYER(XH9,0.40MM,5.5GR)SINGLE
216	37032974	COMP. FIXING BRACKET
217	32034249	COMP.LC100CY1/4UF/BT60-105/JPQV-15/BSZ
218	37035919	COMP BASEMENT/2791
219	32036742	EARTH WIRE(PGYB)WASHER/0,50
222	20865033	VIDA TOPRAK.KABLO/TRT(37023688)FANTOM
222	37023688	SCREW TT M4*6 YSB-T-F
224	35000728	SCREW KA 50*14 YSB-F
225	35002664	SERVICE TUBE(105*6*0,7)TYPE B
237	42152839	MAINBOARD COVER 2791E/V0
237-242	32029654	MAIN B./BDA52/NOSW-23312183
238A	32031446	MAINBOARD COVER GR 2751E/V0/BD52
400	32038783	FIN EVAP GR/2791(RAD)LEDLI/PLKREZ/SS/ICM
401	37027370	FIN EVAP ASSY/2791
413	32035963	RADIAL FAN MOTOR MFC0361V3 120MM
455	37000156	SCREW KA 30*6 YSB-F
455	37000156	SCREW KA 30*6 YSB-F
456	32043036	DB/BDD53/2791/E-F/R6/V127.48-23677526
460	42155754	GASKET 2791-2795 BUILT IN DETACH-I (SW)
471	42165566	FOOT SS/ANK(RIGHT) RV1 PP40KA
472	37028128	BOTTOM HINGE PIN SS/BUILT-IN RV1
474	42165565	FOOT SS/ANK(LEFT) RV1 PP40KA
476	42180269	SS ASM KIT/DD 54 CM RV2 (WITHOUTBRACKET)
477	22021982	TOP COVER SHEET BI/54CM SNWHITE
477	42162359	TOP BRACKET/ANK(3 HOLE)(S.W) TAPED
477	42034032	TOP BRACKET/ANK(3 HOLE)(S.W)
478	42147208	SS DOOR REAL/1400 SW RV1
478B	42180204	SS DOOR RAIL COVER/1400 ANK(S.W.)
479	42033307	SS DOOR GUIDE/1400 ANK(S.W.)
480	37001045	SCREW KA YHB 4*17 C ST CHIPBOARD
480	37030634	SCREW,P,YSB,40x13,C,ST,A3K,SUNTA
481	42217911	FURN. SPACE COVER GASKET/3200BI-SS (SW)
499	32030054	TERMAL FUSE SINGLE/500



RIF1796

Caple 177cm Integrated Freezer

Item	Part Number	Description
500	42212270	RADIAL FAN HOLDER 243
510	37036052	SCREW M,YHB,5x14,F,ST,A3K,TT, LAMELLA
533	32030053	FIN EVAP HEATER/2791/230V/180W
542	32030752	CASE HEATER GRB 2791/230V/35W
566	42157057	F FLAP COVER GR/319 (TRANS-GRAY) FLYP
567	42159151	F.TOP BASK.GR/2791(TRANS-GRAY)FLM
567	42157059	F.TOP BASK.GR/2791(TRANS-GRAY)
568	42159153	FREEZER BIG BASK.GR/2791(TRANS-GRAY)FLM
569	42157051	BOTTOM BASK.GR/319(TRANS-GRAY)
571	42152850	MULTIFLOW COVER TOP 2791(S.W.)
572	42152849	MULTIFLOW COVER BOTTOM 2791(S.W.)
576	52189466	FIN EVAP PAD/2791
577	32030749	CESE HEATER/2791/230V/35W
578	42152848	FIN EVAP BOX/2791(S.W.)
588	37022711	SCREW S YPB 4.2*14 C ST
737	42156712	LED COVER/243
738	32034650	LED ST/2835*6/8*129MM/BDL3 (I)
829	37012412	SCREW M YSB 4*17 C ST TT
1026	42176268	MUTUAL COMPRESSOR RUBBER
1131	32003768	SENSOR/VF/R16K3/1660MM/DOUBLE
566-91	42157038	F FLAP COVER 319 TRAN-GRAY
	32010069	REED SWITCH PCB(COVER)
	37035583	SCREW ST 4*14 YSB-R-F-A3K
	37040305	SCREW 3*8 YSB-F-A3K
	37035783	SCREW KA 40*13 YSB-R-C-A3K
	42140924	BASKET EXT TRIM/2451(AM83112FOIL)
	42140924	BASKET EXT TRIM/2451(AM83112FOIL)
	42140924	BASKET EXT TRIM/2451(AM83112FOIL)
	42140924	BASKET EXT TRIM/2451(AM83112FOIL)
	42157054	FREEZER BIG BASK.GR/2791(TRANS-GRAY)
	42219574	FREEZER GLASS SHELF TRIM/2791(S.W.)
570	42228965	F FLAP COVER GR/2791(TRA-GRAY) FLYP SRGF
	42140924	BASKET EXT TRIM/2451(AM83112FOIL)
	42228598	F FLAP COVER 2791TRAN-GRAY RV1
	42228951	F FLAP COVER 2791TRAN-GRAY