



RI7305

Caple Integrated 70/30 Fridge Freezer

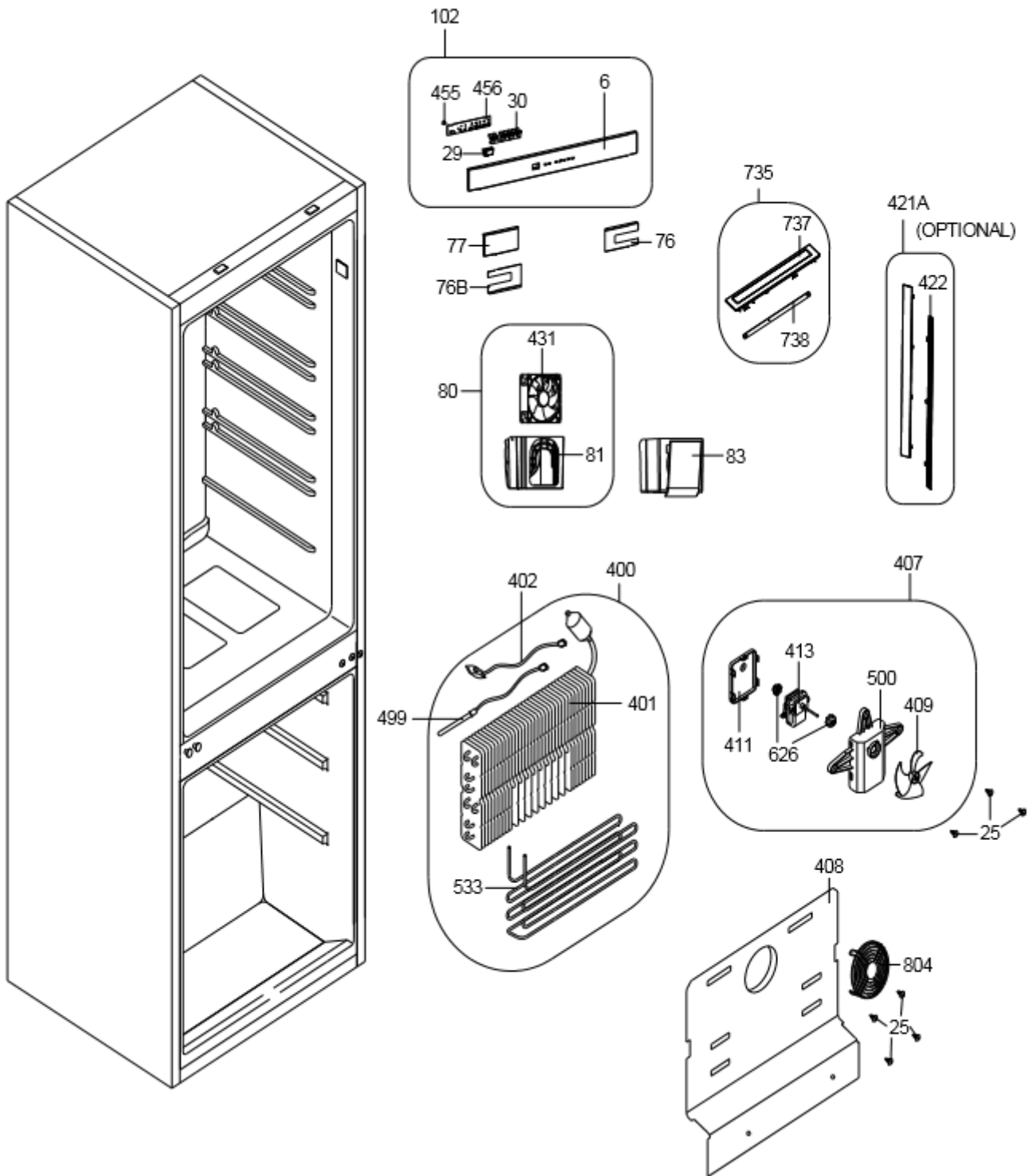


Technical Manual



RI7305

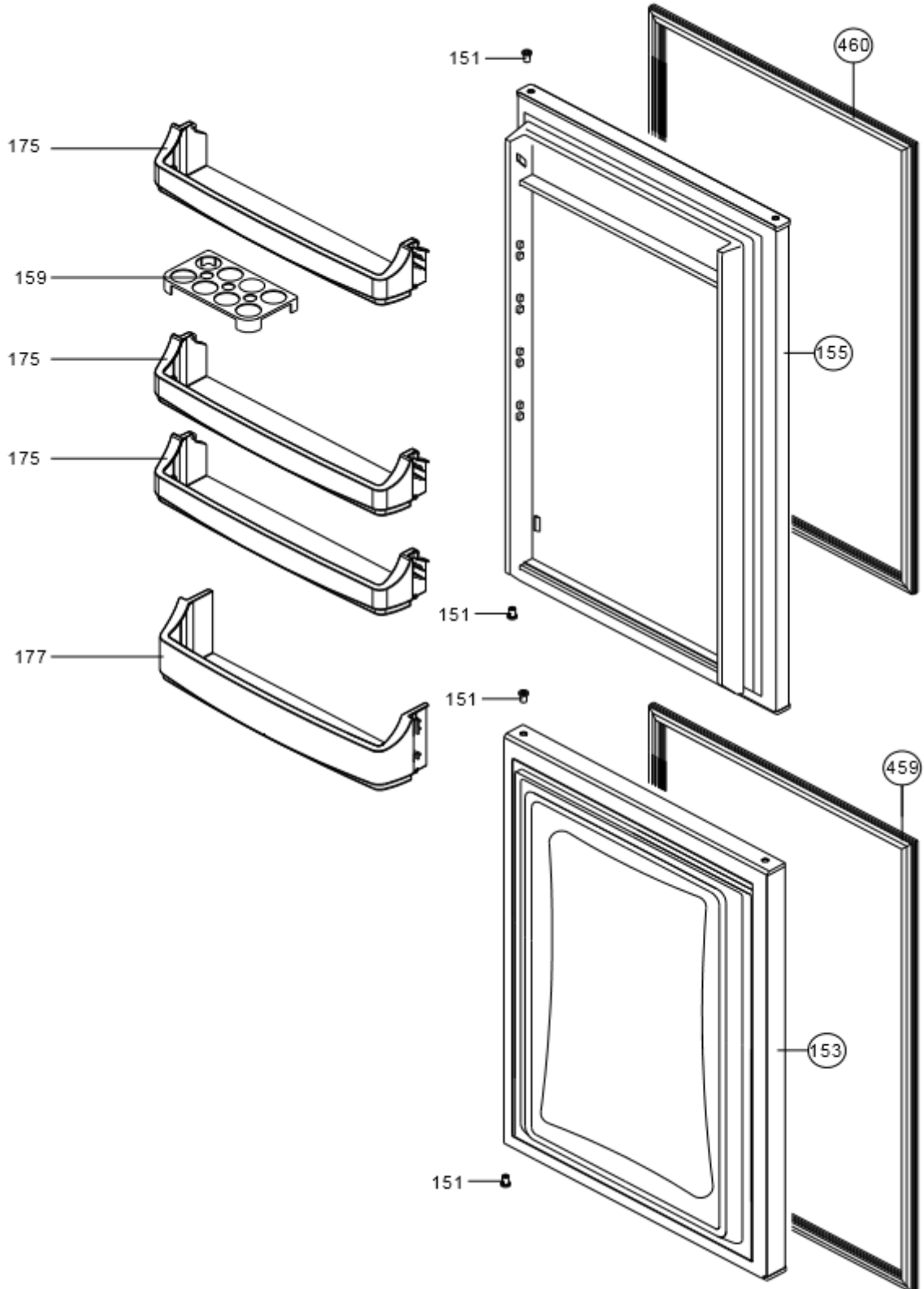
Caple Integrated 70/30 Fridge Freezer





RI7305

Caple Integrated 70/30 Fridge Freezer





RI7305

Caple Integrated 70/30 Fridge Freezer

Item	Part Number	Description
2	37028246	BOTTOM/TOP HINGE SS/1400 BUILT HEX PIN
6	42171976	HEAD PANEL/2751-2761 (SW) 432C SUPER SR
7	37024764	SCREW TT M5*16 YSB-F
11	42032779	MIDDLE HINGE SREW CAP(SMALL)NEW(S.W.)
12	42032778	MIDDLE HINGE SREW CAP(BIG)S.W.(NEW)
14	42124318	TUNNEL DRAIN PLUG S.W. RV1
18	42178383	ICE TRAY/170
19A	47013494	F GLASS TOP SHELF/319
19B	47014209	F GLASS BOTTOM SHELF/2751
25	35003482	SCREW 40*13 YSB-R-C-INOX
29	42157903	HEAD PANEL BUTON /2791 (SW) 432SRGF
30	42140581	LIGHT CARRIER 2451
32	35000744	SCREW KA 40*18 YSB-C-INOX
37	47014890	R COMPARTMENT GLASS SHELF/2751
38A	42139596	R.GLASS SHELF PRF/3951(EXT)HOT 442.5
38B	42147146	R.GLASS SHELF BACK TRIM/319(S.W)
38C	42133761	GLASS SHELF BACK CORNER TRIM RIGHT
38D	42133765	GLASS SHELF BACK CORNER TRIM LEFT
39	47014813	CRISPER GLASS SHELF/2751 (SLIDER)
40	42152884	CRISPER FLAP GR/2795(432C \$)HUMC
41	42158041	R.CRISPER GR./319(TRANS-GRAY)FLM
41	42157049	R.CRISPER GR./319 TRANS-GRAY
70	35001678	SCREW KA 40*14 YSB-R-F-INOX
70	35001678	SCREW KA 40*14 YSB-R-F-INOX
76	42152836	HEAD PANEL COVER 2791 RIGHT S.W
76B	42152837	HEAD PANEL COVER 2791 LEFT S.W
80	32030838	TURBO FAN MOTOR GROUP/3951 (NMB)
81	42121279	TURBO FAN HOLDER ES 3951
83	42160442	TURBO FAN COVER ES 3951 SRGF
83	42121280	TURBO FAN COVER ES 3951
84	37009661	SCREW 40*25 YSB-F
91	42157037	F FLAP COVER 2791TRAN-GRAY
92	42158045	FRZ TOP BASK.GR/319(TRANS-GRAY)FLM
93	42158044	FRZ BOTTOM BASK.GR/319(TRANS-GRAY)FLM
102	32032472	HEAD PANEL GR/2751 S.W 432C SUPER SR
117	42031901	F COVER SUPPORT R/390(S.W.)
120	42031903	F COVER SUPPORT L/390(S.W.)(S.W.)
131	35001721	SCREW KA 40*14 YSB-C-INOX
151	42004499	BUSHING/1400 ANK



RI7305

Caple Integrated 70/30 Fridge Freezer

Item	Part Number	Description
151	42004499	BUSHING/1400 ANK
153	20912762	F DOOR ASSY/2761 ANK S-W.CAP(S.W)
155	22021025	R DOOR ASSY/2761 ANK S-W.CAP(S.W)
159	42163485	EGG HOLDER (TRANS.-NAT) RV1
175	42157047	CHEESE BUTTER SHELF/319ERA(TRNS GRAY)FLM
175	42157043	CHEESE BUTTER SHELF/319ERA(TRANS GRAY)
175	42160369	CHEE BUT SHE/319ERA(TRNS GRAY)FLM SRGF
175	42157043	CHEESE BUTTER SHELF/319ERA(TRANS GRAY)
175B	42170534	ADJ. DOOR SHELF GR/319(TRA-GRAY)PRF RV1
175B	42170532	ADJ. DOOR SHELF GR/319 ERA(WHGRAY) RV1
177	42157048	BOTTLE SHELF/319 ERA TRANS-GRAY - FLM
177	42157042	BOTTLE SHELF/319 ERA TRAN-GRAY
201	37029479	CONDENSER 54CM/28 PASS/4,00*0,5MM
205	35009792	SCREW ST 4.8*13 YSB-T-C
207	42155463	RUBBER CONDANSER MUTUAL ANTIVIBRASYON
208	40017915	CONDANSER HOLDER(2)
208	40017915	CONDANSER HOLDER(2)
209	32024840	POW CORD GR(HXK80AA220-240V/50HZ)2.5mING
210	32007439	POWER CORD(2.5m-ENG)
211	32013372	OVER L.GR.HXK80AA/AE24FW/K120
211B	42177886	COMP.COVER/ACC-SECOP/BLUECOVER
212	32007055	CAPACITOR 3UF/400V P2-CLÄ°P(4,8)
213	35000743	SCREW 4.2*9.5 YSB-C
213	35000743	SCREW 4.2*9.5 YSB-C
214	42084684	EVAPORATING TRAY/171 (S.W.)
215	37028594	DRYER(XH9,0.40MM,7.5GR I.C.=2,0)SINGLE
216	20020023	COMP FIXING BRACKET
217	32012950	COMP.HXK80AA/3MF/AE24FW/K120
218	37024783	COMP.BASEMENT/3200 BI
219	32027294	EARTH WIRE/WASHER
222	20865033	VIDA TOPRAK.KABLO/TRT(37023688)FANTOM
222	37023688	SCREW TT M4*6 YSB-T-F
222	37023688	SCREW TT M4*6 YSB-T-F
224	35000728	SCREW KA 50*14 YSB-F
225	35002664	SERVICE TUBE(105*6*0,7)TYPE B
237	42152839	MAINBOARD COVER 2791E/V0
238A	32031446	MAINBOARD COVER GR 2751E/V0/BD52
244	32029654	MAIN B./BDA52/NOSW-23312183
315	32007764	F DOOR LAMP SWITCH(S.W.)



RI7305

Caple Integrated 70/30 Fridge Freezer

Item	Part Number	Description
326	42161694	FILTER HOLDER GR BLUE(MAXIFRESH)432CŞ
400	20912787	FIN EVAP.ASSY/2761
401	37028188	FIN EVAPORATOR/2761
401	37028188	FIN EVAPORATOR/2761
402	32005279	BIMETAL TERM/GR/311/150MM
402	32005279	BIMETAL TERM/GR/311/150MM
407	20782390	F FAN MOTOR GR/BLDC (2200RPM)
408	42157597	F MULTIFLOW GR/2761(S.W.)
409	42030263	PROPELLER/590(F.FAN MOTOR)BLACK
409	42030263	PROPELLER/590(F.FAN MOTOR)BLACK
411	42031847	F FAN MOTOR COVER/590UHS(NAT)
411	42031847	F FAN MOTOR COVER/590UHS(NAT)
413	32016100	EVAP FAN MOTOR/2200RPM
413	32016100	EVAP FAN MOTOR/2200RPM
421A	42162859	LED CAP GR/373 RIGHT/2835
422	32030845	LED STRIP/2835*12/8*385MM/12V/463M
431	32028873	TUR.FANMO.DC(92*92*25)09225SS-12K-F(NMB
455	37000156	SCREW KA 30*6 YSB-F
455	37000156	SCREW KA 30*6 YSB-F
456	32031493	DB/BDD53/2751E/A++/R8/V61-23410048
459	42159333	F DOOR GASKET/2761 I (SW)
460	42159332	R DOOR GASKET/2761 I (SW)
471	42165566	FOOT SS/ANK(RIGHT) RV1 PP40KA
472	37028128	BOTTOM HINGE PIN SS/BUILT-IN RV1
474	42165565	FOOT SS/ANK(LEFT) RV1 PP40KA
476	42180269	SS ASM KIT/DD 54 CM RV2 (WITHOUTBRACKET)
477	22021982	TOP COVER SHEET BI/54CM SNWHITE LASER
478	42147208	SS DOOR REAL/1400 SW RV1
479	42033307	SS DOOR GUIDE/1400 ANK(S.W.)
480	37001045	SCREW KA 40*17 OZEL1-C
481	42032772	SEALING/3200 ANK-SS(S.W.)
482	37001157	MIDDLE SS HINGE/2600 ANK.
483	37001158	SS MIDDLE HINGE SIDE BRACKET/BUILT-IN
499	32029717	TERMAL FUSE SINGLE/NOVA
499	32029717	TERMAL FUSE SINGLE/NOVA
500	42031850	F FAN MOTOR BOX
500	42031850	F FAN MOTOR BOX
510	37003078	SCREW M,YHB,5x14,F,ST,A3K,TT



RI7305

Caple Integrated 70/30 Fridge Freezer

Item	Part Number	Description
533	32030658	FIN EVAP HEATER/2761(230V,120 W)
533	32030658	FIN EVAP HEATER/2761(230V,120 W)
569	42157051	BOTTOM BASK.GR/319(TRANS-GRAY)
570	42157058	F FLAP COVER GR/2791(TRANS-GRAY) FLYP
588	37022711	SCREW ST 4.2*14 SPECIAL 17-C
626	42030205	FREEZER FAN MOTOR RUBBER/590UHS
626	42030205	FREEZER FAN MOTOR RUBBER/590UHS
735	42146315	LED COVER GR/319
737	42146314	LED COVER/319
738	32028881	LED STRIP/2835*6/8*129MM/12V/373
804	37024005	PROPELLER COVER/5661 RV1
829	37012412	SCREW TT M4*17 OZEL2-C
1026	42018611	COMPRESSOR RUBBER



RI7305

Caple 70/30 Integrated Fridge Freezer

