



RI5507

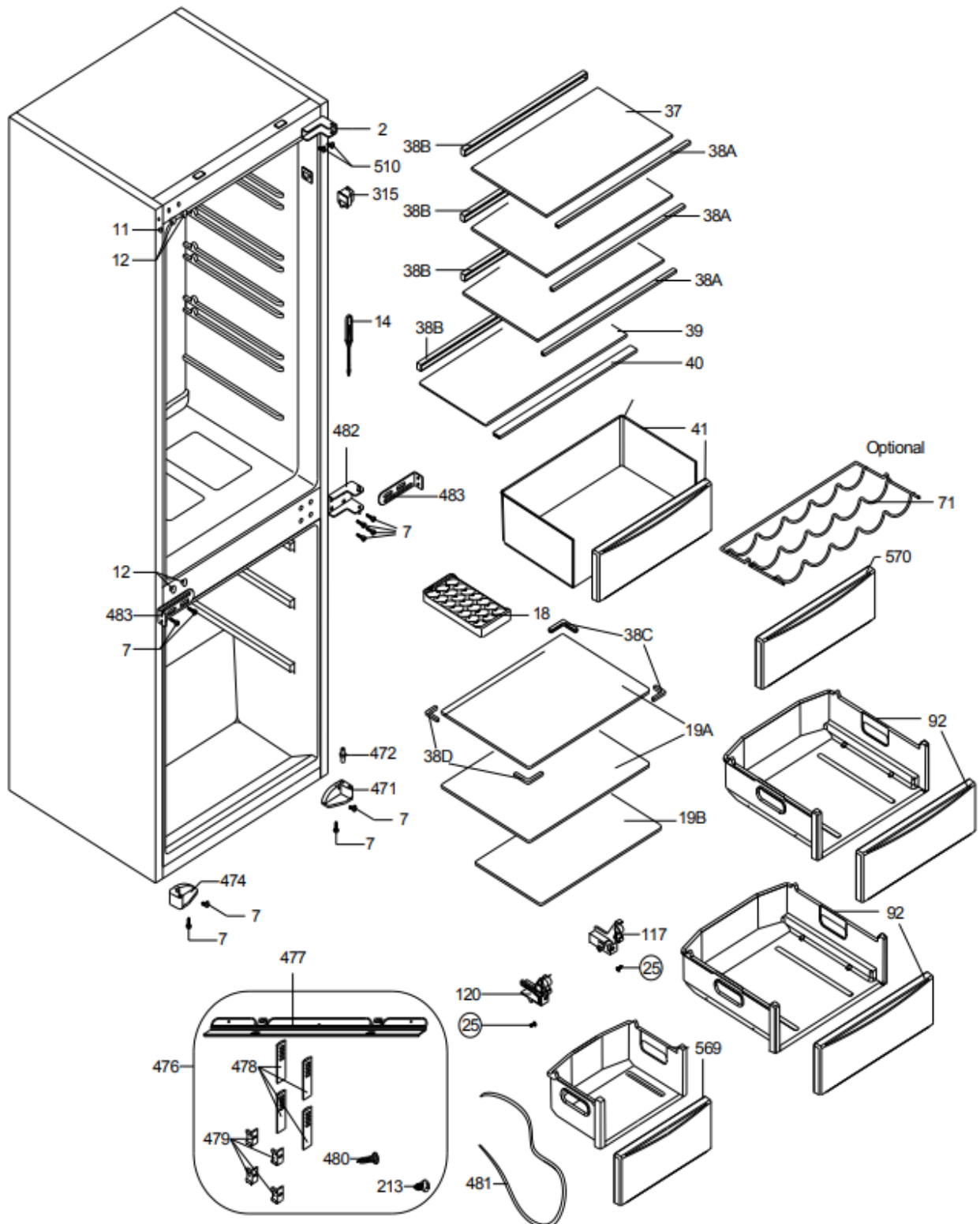
Caple 50/50 Integrated Fridge Freezer Frost Free

Technical Manual



RI5507

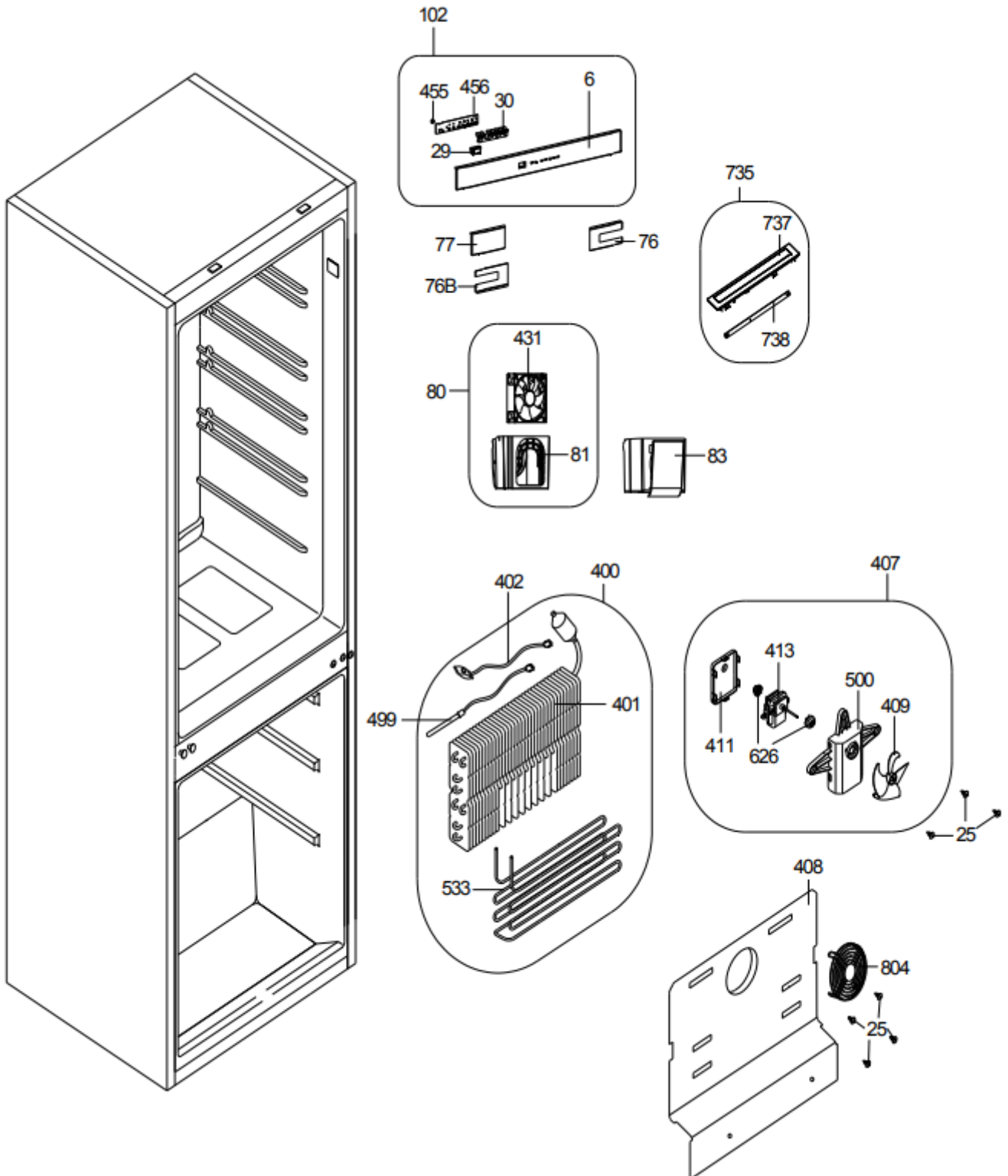
Caple 50/50 Integrated Fridge Freezer Frost Free





RI5507

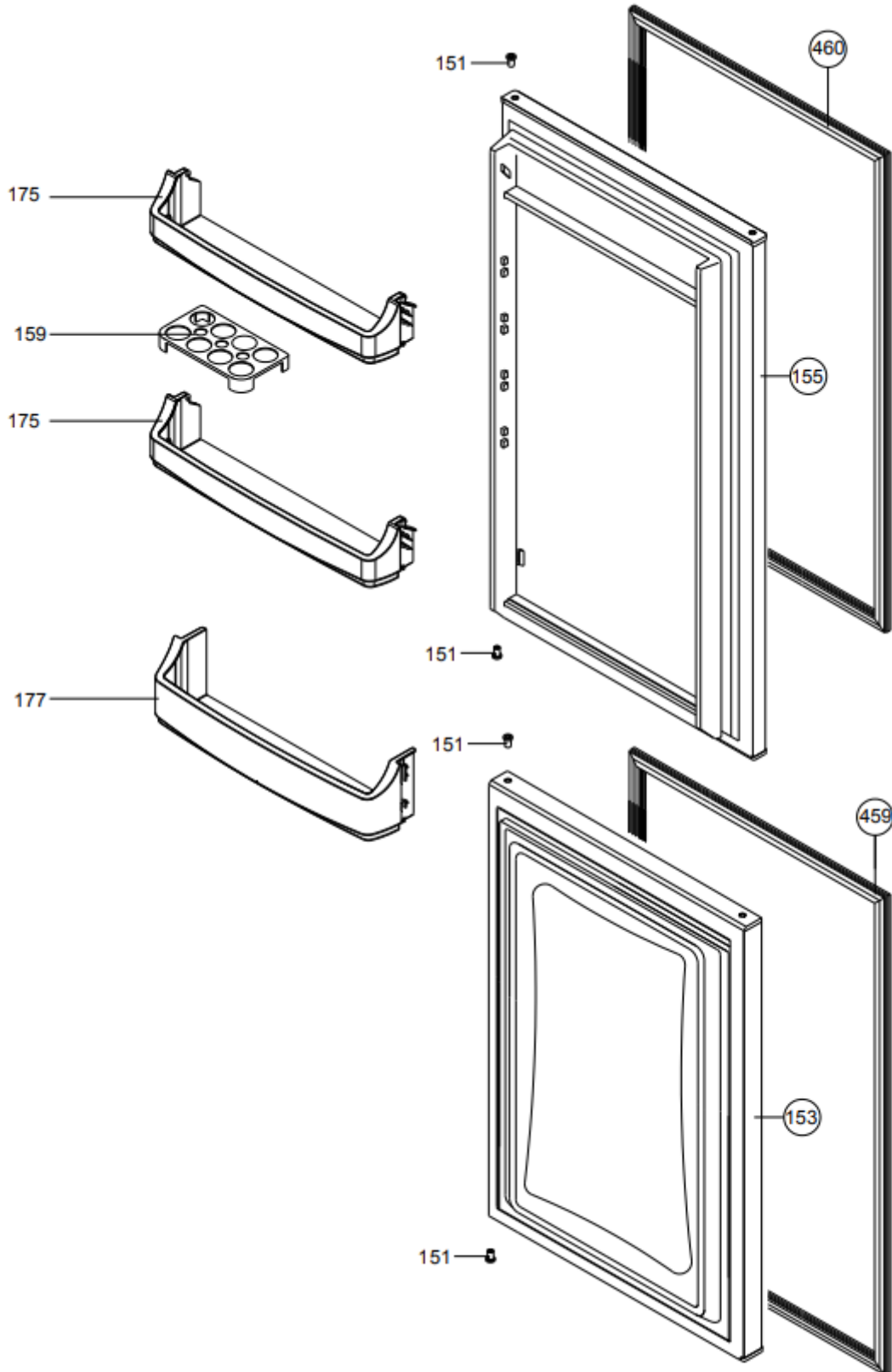
Caple 50/50 Integrated Fridge Freezer Frost Free





RI5507

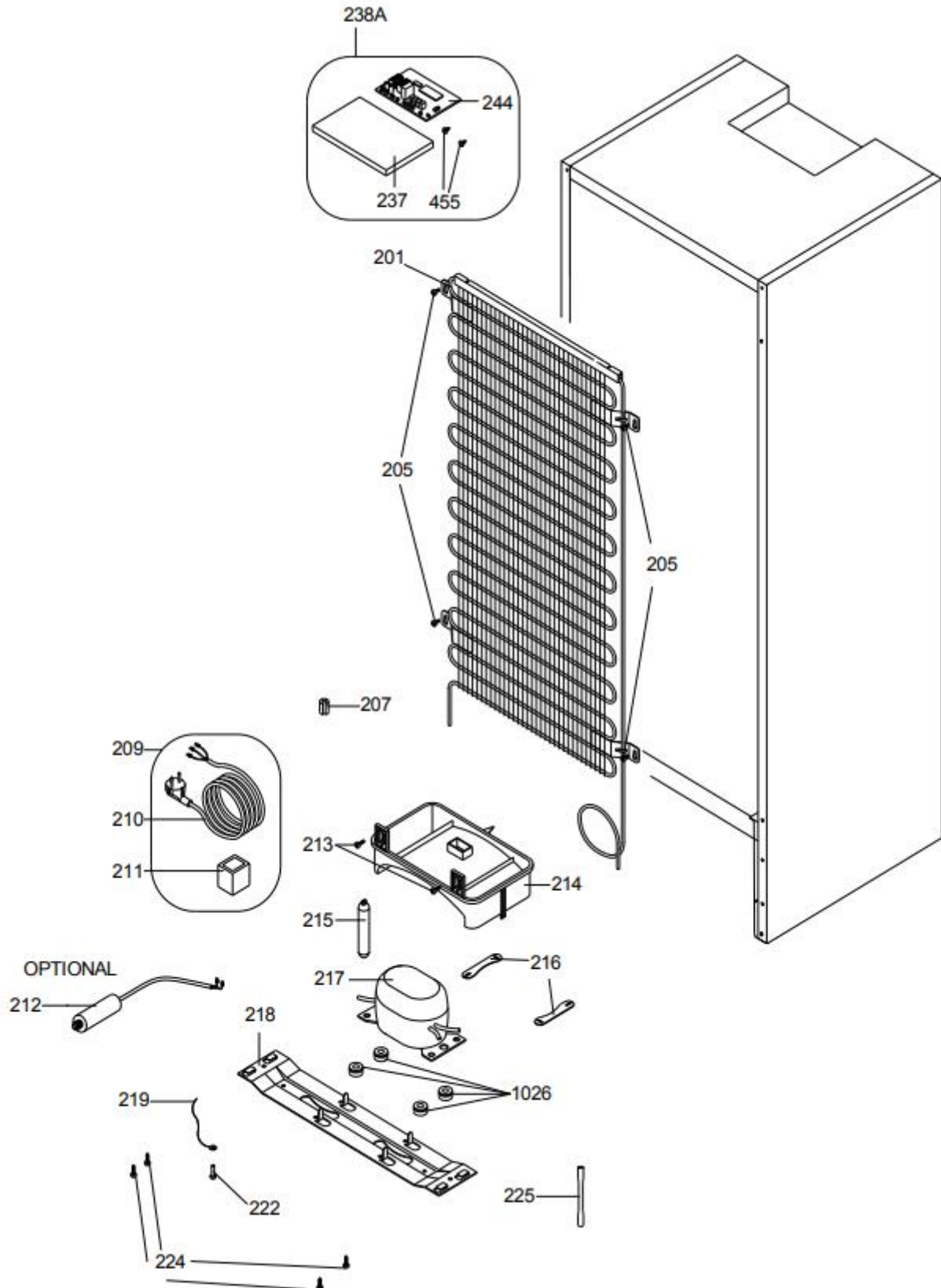
Caple 50/50 Integrated Fridge Freezer Frost Free





RI5507

Caple 50/50 Integrated Fridge Freezer Frost Free





RI5507

Caple 50/50 Integrated Fridge Freezer Frost Free

Item	Part Number	Description
2	37028246	BOTTOM/TOP HINGE SS/1400 BUILT HEX PIN
6	42171976	?HEAD PANEL/2751-2761 (SW) 432C SUPER SR
7	37032597	SCREW TT M5*16 YSB-F
11	42290855	DOOR H. SC. CAP LDPE (SNWWHITE)
12	42032778	MIDDLE HINGE SREW CAP(BIG)S.W.(NEW)
13	32031240	LAMBA SWITCH/2 POLE/BYZ/A
14	42283234	TUNNEL DRAIN PLUG RYPP
18	42310075	ICE TRAY COMMON SMALL
29	42157903	HEAD PANEL BUTON /2791 (SW) 432SRGF
30	42136560	LIGHT CARRIER 2451
37	47014890	R COMPARTMENT GLASS SHELF/2751
38A	42139596	R.GLASS SHELF PRF/3951(EXT)HOT 442.5
38B	42147146	R.GLASS SHELF BACK TRIM/319(S.W)
39	47014813	CRISPER GLASS SHELF/2751 (SLIDER)
40-704	42298428	CRISPER FLAP GR/2795(432C \$)HUMC
41	42158041	R.CRISPER GR./319(TRANS-GRAY)FLM
41	42157049	R.CRISPER GR./319 TRANS-GRAY
70	37035782	SCREW KA 40*14 YSB-C-A3K
76	42152836	HEAD PANEL COVER 2791 RIGHT S.W
76B	42152837	HEAD PANEL COVER 2791 LEFT S.W
77	42152838	HEAD PANEL COVER 2791 S.W
80/428	32049196	TUR.FAN.MOT.GR.453.DFAN
81	42257001	?FAN MOTOR HOUSING 453
82/431	32035094	TUR.FAN MOTOR DC(92*92*25)DFL9025S
83	42282048	TURBO FAN COVER ES 3951 SRGF
92	42306900	TOP BASK.GR/319(TRANS-GRAY)RV1
93	42306903	FRZ TOP BASK.GR/319(TRANS-GRAY)FLM RV1
93-569	42158044	FRZ BOTTOM BASK.GR/319(TRANS-GRAY)FLM
93-569	42157051	BOTTOM BASK.GR/319(TRANS-GRAY)
94	42195564	F.STORAGE RACK/2761(SW) GR
94	42186249	F.STORAGE RACK/2761(SW)
94	42195560	F.STORAGE RACK/2761(SW)SLIDTRY432\$
102	32048076	HEAD.PAN.GR/2761(KAR)432C SUPER \$ TI
135	35004932	SCREW ST 4.2*13 OZEL12-C
151	42004499	BUSHING/1400 ANK
153	20912661	F DOOR ASSY/2751 ANK S-W.CAP(S.W)
155	22020998	R DOOR ASSY/2751 ANK S-W.CAP(S.W)
159	42163485	EGG HOLDER (TRANS.-NAT) RV1
164	42207490	BODY SCREW CAP(SW)



RI5507

Caple 50/50 Integrated Fridge Freezer Frost Free

Item	Part Number	Description
175	42160369	CHEE BUT SHE/319ERA(TRNS GRAY)FLM SRGF
175	42157043	CHEESE BUTTER SHELF/319ERA(TRANS GRAY)
175B	42170534	ADJ. DOOR SHELF GR/319(TRA-GRAY)PRF RV1
175B	42170532	ADJ. DOOR SHELF GR/319 ERA(WHGRAY) RV1
175C	42154511	ADJUSTABLE SHELF GUIDE/R 473 RV1 SW
175D	42154512	ADJUSTABLE SHELF GUIDE/L 473 RV1 SW
177	42157048	BOTTLE SHELF/319 ERA TRANS-GRAY - FLM
177	42157042	BOTTLE SHELF/319 ERA TRAN-GRAY
195	35007969	SCREW S YSB 3.5*13 C ST SPECIAL
201	37029479	CONDENSER 54CM/28 PASS/4,00*0,5MM
205	35009792	SCREW ST 4.8*13 YSB-T-C
207	42155463	RUBBER CONDENSER ANTIVIBRATION
209	32052088	CAP.SUP.CAB.TB1114YLNM/3.5UFMET/2,5M/UK
210	32007439	POW.CRD/2.5M/UK
211	32047327	OVER L.GR.TB1114Y-NM/DRB198N61/QPE2C15M
211B	42177882	COMP.COVER/JIAXIPERA/24.01.59
212	32040619	CAPACITOR 3.5uF/A-S2/6.3/METAL
213	35000743	SCREW 4.2*9.5 YSB-C
214	42291449	EVAPORATING TRAY/260-II NAT
215	37029499	DRYER(XH9,0.40MM,5.5GR)SINGLE
216	37047599	*COMP. FIXING BRACKET (0,8)
217	32047326	COMPR.TB1114Y-NM/3.5UF/DRB198N61/QPE2C15
218	37053889	COMP BASEMENT/2791 PROGRESIF
219	32036742	EARTH WIRE(PGYB)WASHER/0,50
222	37023688	SCREW TT M4*6 YSB-T-F
224	35000728	SCREW KA 50*14 YSB-F
225	37049663	SERVICE TUBE(95*6*0,7)TIP B
237	42152839	MAINBOARD COVER 2791E/V0
237/242	32053592	MAIN B./BDA52/2795/NOSW/RST- 23849781
238A	32053595	MAINBOARD COVER GR 2751E/V0/BD52/RST NAT
326	42327695	FILTER HOLDER GR BLUE(ULTRA FRESH)432CŞ
400	22087525	FIN EVAP GR/2751/SENS
401	37028184	FIN EVAPORATOR/2751
407	32040438	FRE.FAN.MOTOR GR/BLDC HK (2200rpm)
408	42157590	F MULTIFLOW GR/2751(S.W.)
409	42197175	100MM CW NATURAL ABS IMPELLER NV
410	35001893	PROPELLER SPRING
411	42031847	F FAN MOTOR COVER/590UHS(NAT)
412-626	42179530	FREEZER FAN MOTOR RUBBER 590/SILIKON



RI5507

Caple 50/50 Integrated Fridge Freezer Frost Free

Item	Part Number	Description
413	32032639	EVAP FAN MOTOR HK 2200RPM
432	47011757	MOTOR FAN KAU.916-NEW
434	30014912	SENSOR/STANDARD/R6K/200MM/SINGLE
449	42033244	R MULTIFLOW CAP/ 640(S.W.)
455	37035583	SCREW ST 4*14 YSB-R-F-A3K
455	37000156	SCREW KA 30*6 YSB-F
456	32048075	GK/BDD53/2761E/F-A+/TI/R12/V525-23758258
459	42159331	F DOOR GASKET/2751 I (SW)
460	42159310	R DOOR GASKET/2751 I (SW)
471	42305747	FOOT SS/ANK(RIGHT)RV2 POM
472	37028128	BOTTOM HINGE PIN SS/BUILT-IN RV1
474	42305746	FOOT SS/ANK(LEFT)RV2 POM
476	42209616	SS ASM KIT/DD 54 CM RV3 (WITHOUTBRACKET)
477	22021982	TOP COVER SHEET BI/54CM SNWHITE
478	42147208	SS DOOR REAL/1400 SW RV1
478B	42180204	SS DOOR RAIL COVER/1400 ANK(S.W.)
479	42033307	SS DOOR GUIDE/1400 ANK(S.W.)
480	37001045	SCREW KA YHB 4*17 C ST CHIPBOARD
480	37030634	SCREW,P,YSB,40x13,C,ST,A3K,SUNTA
481	42217911	FURN. SPACE COVER GASKET/3200BI-SS (SW)
482	37001157	MIDDLE SS HINGE/2600 ANK.
483	37032978	SS MID HNGE SIDE BRACK/BUILTIN/2300-2460
499	32028176	TERMAL FUSE SINGLE
500	42031850	F FAN MOTOR BOX
510	37036052	SCREW M,YHB,5x14,F,ST,A3K,TT, LAMELLA
533	32030657	FIN EVAP HEATER/2751(230V,120 W)
588	37022711	SCREW S YPB 4.2*14 C ST
735	42232575	LED COVER GR /319/BDL3(H)/DIF
737	42217517	LED COVER/319
738	32051998	LED ST/2835*6/8*129MM/BDL3(H)G
804	37024005	PROPELLER COVER/5661 RV1
829	37012412	SCREW M YSB 4*17 C ST TT
1026	42176268	COMPRESSOR RUBBER

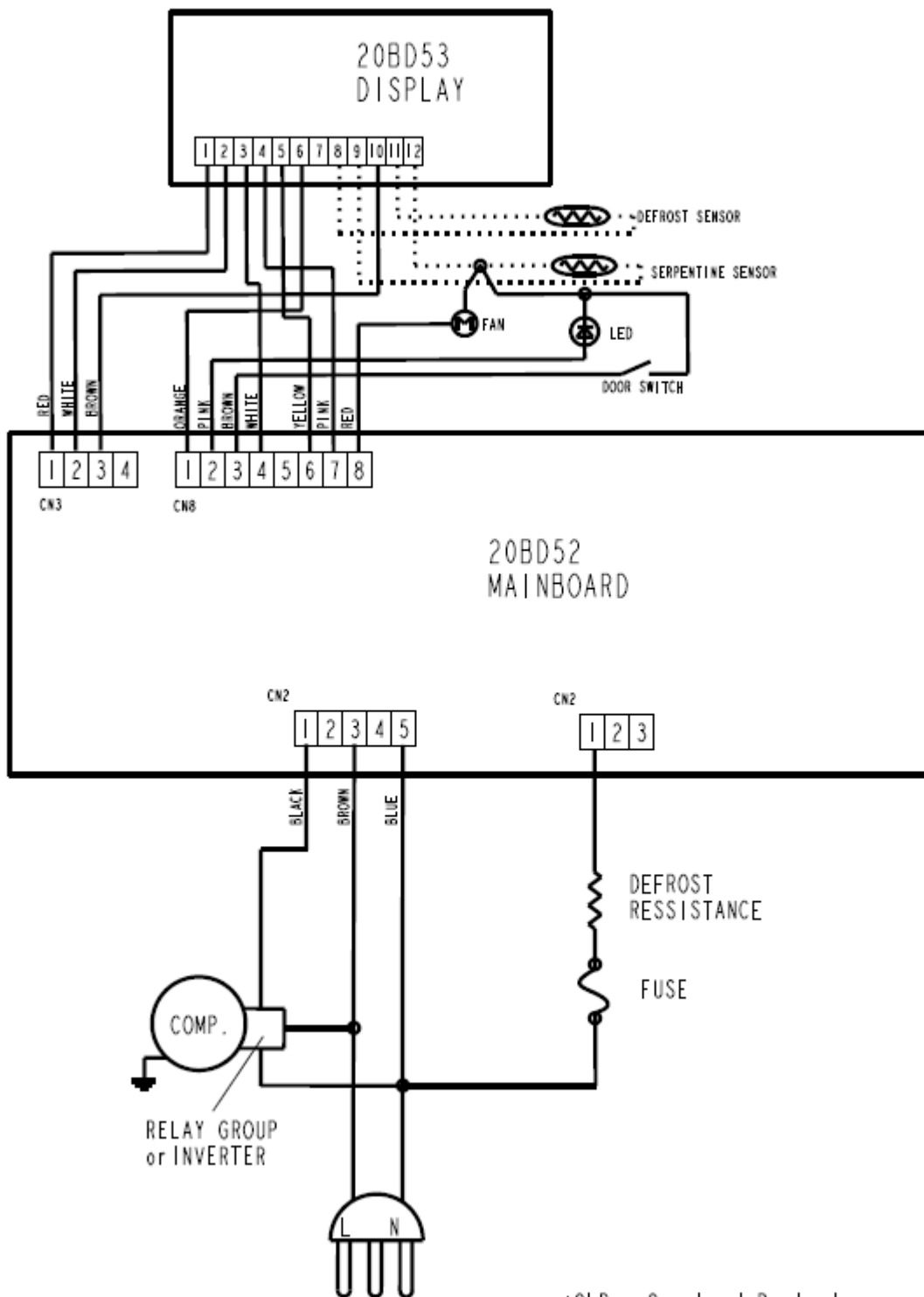


RI5507

Caple 50/50 Integrated Fridge Freezer Frost Free

Item	Part Number	Description
	42264702	CONDENSER PIPE HOLDER (2'LI-VO)
	22371538	BUH.KAB BITUM FANTOM-2-42113828/40004104
	37038214	SCREW TT M5*16 TSB-F LAMELLA
	42113828	COMPRESSOR BUTYL RUBBER (4X90X120)
	45003200	TAPE ALUM (300MM*0,05*R) BN02
	42140924	BASKET EXT TRIM/2451(AM83112FOIL)
	42202714	FOOT/115(S.W) RV1
	42262700	MID/HINGE B-IN CAP CLINC. SNOWWHITE
	42140924	BASKET EXT TRIM/2451(AM83112FOIL)

RI5507 Wiring Diagram



*OLP : OverLoad Protector
 *PTC : Positive Temperature Coefficient