



RI5506

Caple 50/50 Integrated Fridge Freezer FF

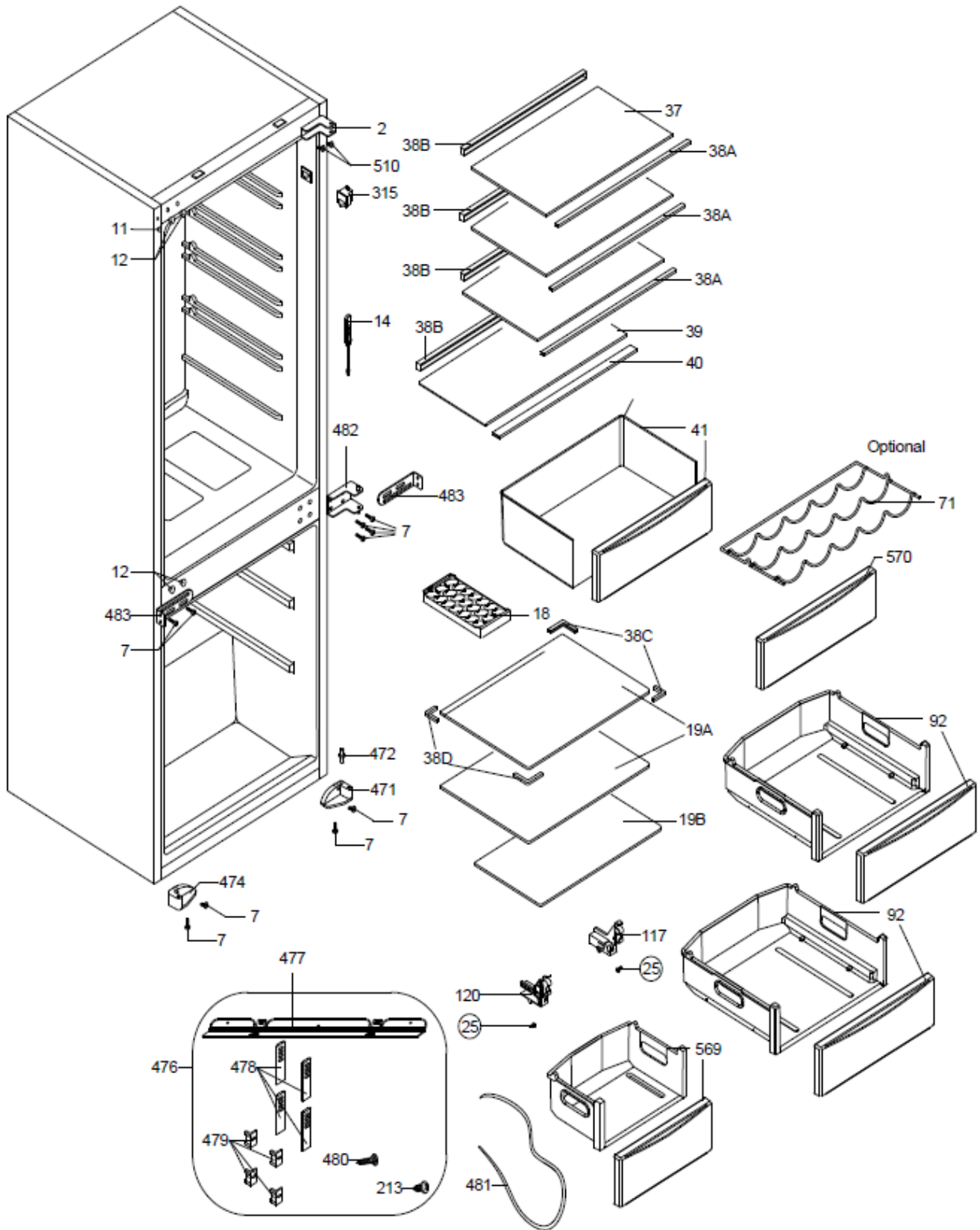


Technical Manual



RI5506

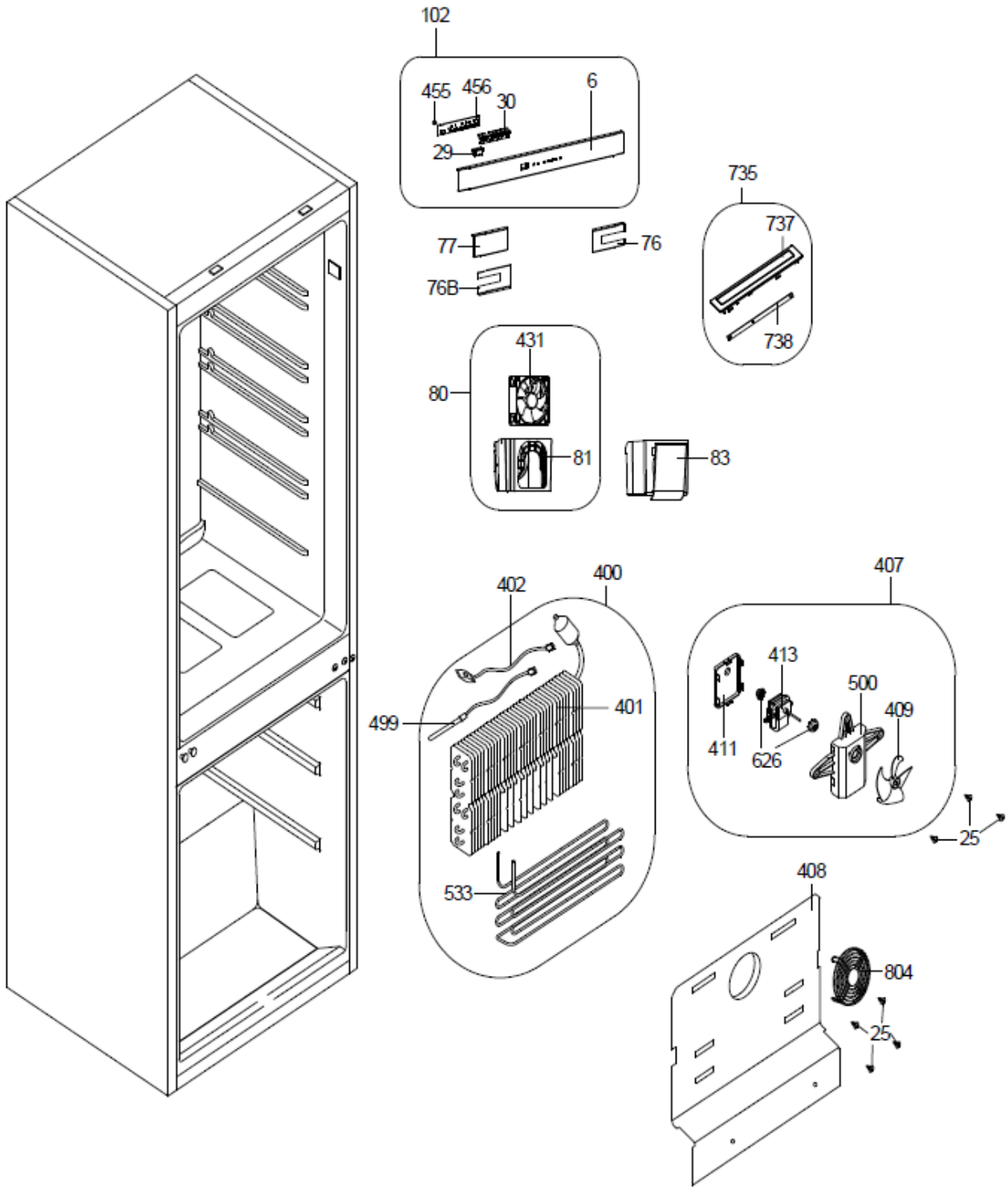
Caple 50/50 Integrated Fridge Freezer FF





RI5506

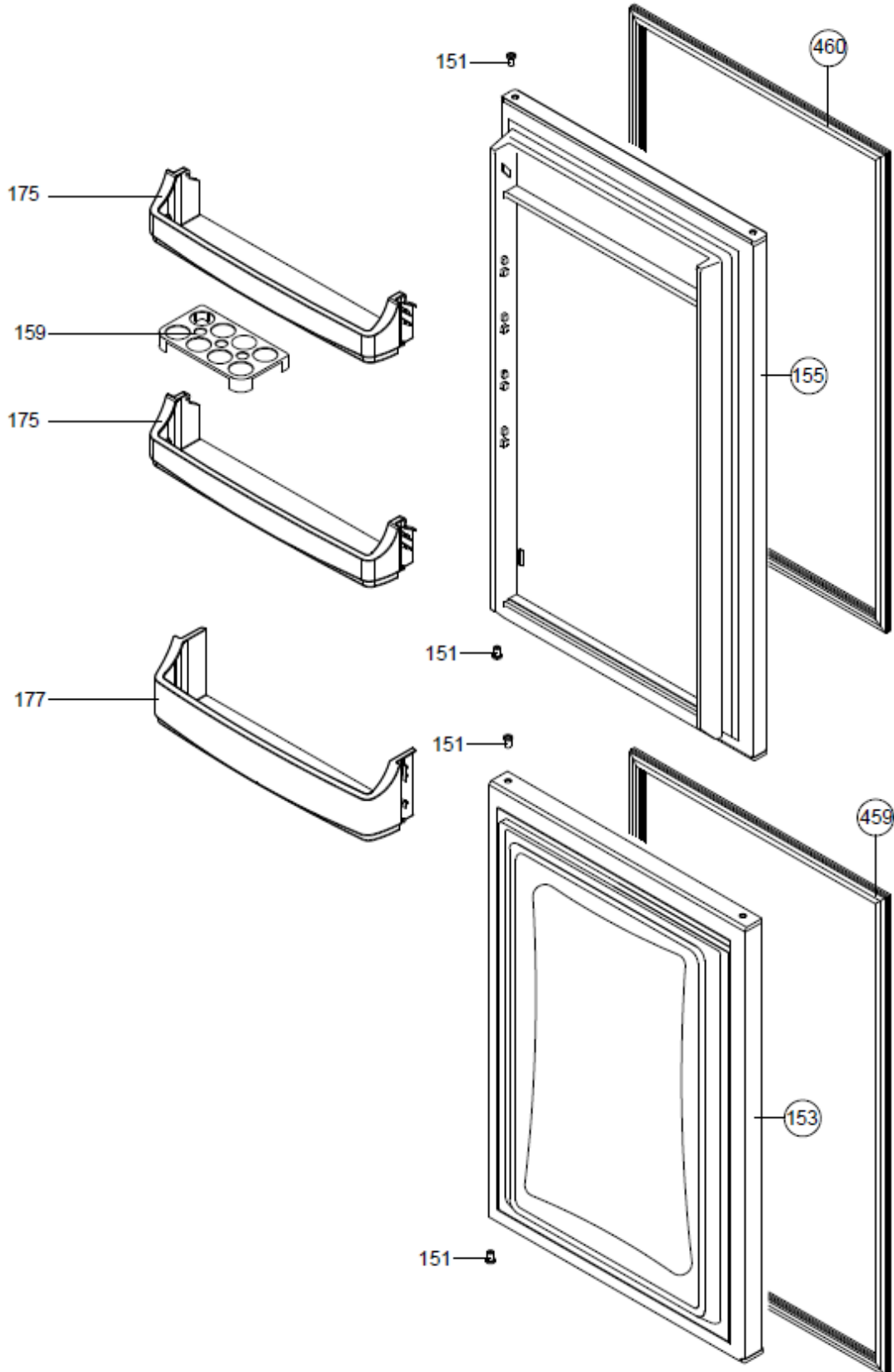
Caple 50/50 Integrated Fridge Freezer FF





RI5506

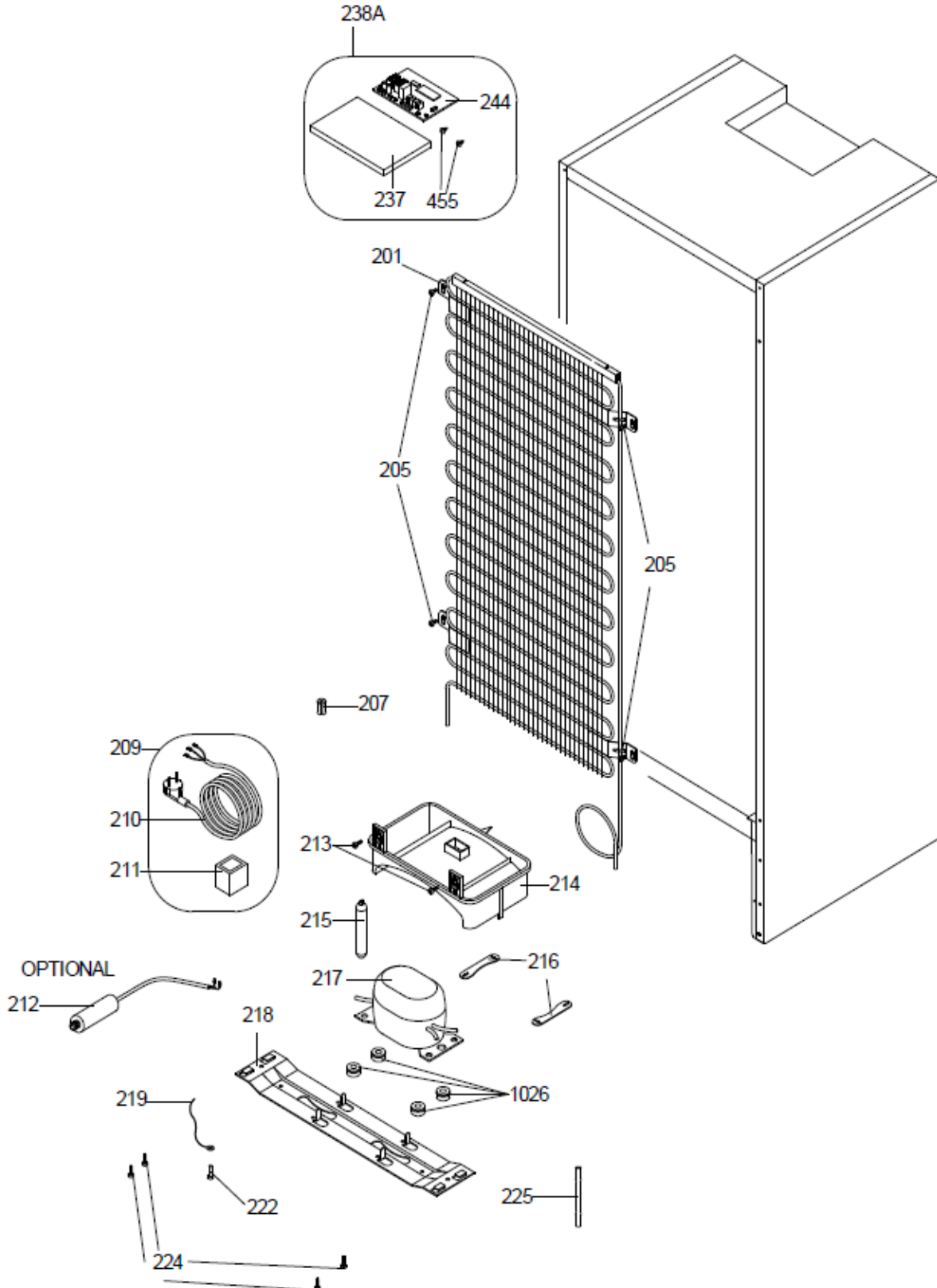
Caple 50/50 Integrated Fridge Freezer FF





RI5506

Cable 50/50 Integrated Fridge Freezer FF





RI5506

Caple 50/50 Integrated Fridge Freezer FF

Item	Part Number	Description
2	37028246	BOTTOM/TOP HINGE SS/1400 BUILT HEX PIN
6	42171976	?HEAD PANEL/2751-2761 (SW) 432C SUPER SR
7	37032597	SCREW TT M5*16 YSB-F
7	37032597	SCREW TT M5*16 YSB-F
11	42032779	MIDDLE HINGE SREW CAP(SMALL)NEW(S.W.)
12	42032778	MIDDLE HINGE SREW CAP(BIG)S.W.(NEW)
13	32031240	LAMP SWITCH/2 POLE/WHT/G-A
14	42124318	TUNNEL DRAIN PLUG S.W. RV1
18	42178383	ICE TRAY/170
19A	47013494	F GLASS TOP SHELF/319
19B	47014209	F GLASS BOTTOM SHELF/2751
29	42157903	HEAD PANEL BUTON /2791 (SW) 432SRGF
30	42140581	LIGHT CARRIER 2451
37	47014890	R COMPARTMENT GLASS SHELF/2751
38A	42139596	R.GLASS SHELF PRF/3951(EXT)HOT 442.5
38B	42147146	R.GLASS SHELF BACK TRIM/319(S.W)
38C	42133761	GLASS SHELF REAR CORNER TRIM 4MM RIGHT
38D	42133765	GLASS SHELF REAR CORNER TRIM 4MM LEFT
39	47014813	CRISPER GLASS SHELF/2751 (SLIDER)
41	42158041	R.CRISPER GR./319(TRANS-GRAY)FLM
41	42157049	R.CRISPER GR./319 TRANS-GRAY
70	37035782	SCREW KA 40*14 YSB-C-A3K
76	42152836	HEAD PANEL COVER 2791 RIGHT S.W
76B	42152837	HEAD PANEL COVER 2791 LEFT S.W
77	42152838	HEAD PANEL COVER 2791 S.W
80	32029099	TURBO FAN MOTOR GRUBU-2/3951(NDC)
81	42121279	TURBO FAN HOLDER ES 3951
83	42243680	TURBO FAN COVER ES 3951 SRGF
83	42121280	TURBO FAN COVER ES 3951
83	42160442	TURBO FAN COVER ES 3951 SRGF
92	42158045	FRZ TOP BASK.GR/319(TRANS-GRAY)FLM
92	42157050	TOP BASK.GR/319(TRANS-GRAY)
93	42158044	FRZ BOTTOM BASK.GR/319(TRANS-GRAY)FLM
117	42031901	F COVER SUPPORT R/390(S.W.)
120	42031903	F COVER SUPPORT L/390(S.W.)(S.W.)
135	35004932	SCREW ST 4.2*13 OZEL12-C
151	42004499	BUSHING/1400 ANK
153	20912661	F DOOR ASSY/2751 ANK S-W.CAP(S.W)
155	22020998	R DOOR ASSY/2751 ANK S-W.CAP(S.W)



RI5506

Caple 50/50 Integrated Fridge Freezer FF

Item	Part Number	Description
159	42163485	EGG HOLDER (TRANS.-NAT) RV1
164	42207490	BODY SCREW CAP(SNOW WHITE)
175	42160369	CHEE BUT SHE/319ERA(TRNS GRAY)FLM SRGF
175	42157043	CHEESE BUTTER SHELF/319ERA(TRANS GRAY)
175B	42170534	ADJ. DOOR SHELF GR/319(TRA-GRAY)PRF RV1
175B	42170532	ADJ. DOOR SHELF GR/319 ERA(WHGRAY) RV1
175C	42154511	ADJUSTABLE SHELF GUIDE/R 473 RV1 SW
175D	42154512	ADJUSTABLE SHELF GUIDE/L 473 RV1 SW
177	42157048	BOTTLE SHELF/319 ERA TRANS-GRAY - FLM
177	42157042	BOTTLE SHELF/319 ERA TRAN-GRAY
195	35007969	SCREW S YSB 3.5*13 C ST SPECIAL
201	37029479	CONDENSER 54CM/28 PASS/4,00*0,5MM
205	35009792	SCREW ST 4.8*13 YSB-T-C
207	42155463	RUBBER CONDANSER MUTUAL ANTIVIBRASYON
208	40017915	CONDANSER HOLDER(2)
208	40017915	CONDANSER HOLDER(2)
209	32036154	SUP.CAB.GR.LC100CY1/BSZ/4UF/2,5M/UK
210	32007439	POW.CRD/2.5M/UK
211	32034570	OVER L.GR.LC100CY1/BT60-105/JPQV-15/BSZ
211B	42185442	COMP.COVER/DONPER/L1B
212	32007063	CAPACITOR 4uF/B-S3/6.3
213	35000743	SCREW 4.2*9.5 YSB-C
214	42189705	EVAPORATING TRAY/2500 ANK (NAT)-FR
215	37029499	DRYER(XH9,0.40MM,5.5GR)SINGLE
216	37032974	COMP. FIXING BRACKET
217	32034249	COMP.LC100CY1/4UF/BT60-105/JPQV-15/BSZ
218	37035919	COMP BASEMENT/2791
219	32036742	EARTH WIRE(PGYB)WASHER/0,50
222	20865033	VIDA TOPRAK.KABLO/TRT(37023688)FANTOM
222	37023688	SCREW TT M4*6 YSB-T-F
224	35000728	SCREW KA 50*14 YSB-F
225	35002664	SERVICE TUBE(105*6*0,7)TYPE B
237	42152839	MAINBOARD COVER 2791E/V0
237-242	32029654	MAIN B./BDA52/NOSW-23312183
238A	32031446	MAINBOARD COVER GR 2751E/V0/BD52
326	42161694	FILTER HOLDER GR BLUE(MAXIFRESH)432CŞ
400	22016025	FIN EVAP GR/2751/TERMAL
401	37028184	FIN EVAPORATOR/2751
402	32005279	BIMETAL TERM/GR/311/150MM



RI5506

Caple 50/50 Integrated Fridge Freezer FF

Item	Part Number	Description
407	32038538	FRE.FAN MOTOR GR/BLDC (2200rpm)
408	42157590	F MULTIFLOW GR/2751(S.W.)
409	42197175	100MM CW NATURAL ABS IMPELLER NV
410	35001893	PROPELLER SPRING
411	42031847	F FAN MOTOR COVER/590UHS(NAT)
413	32016100	EVAP FAN MOTOR/2200RPM
431	32036535	TUR.FAN.MT.DC(92*92*25)T92T12MS5A7-5 JWT
449	42033244	R MULTIFLOW CAP/ 640(S.W.)
455	37000156	SCREW KA 30*6 YSB-F
459	42159331	F DOOR GASKET/2751 I (SW)
460	42159310	R DOOR GASKET/2751 I (SW)
471	42165566	FOOT SS/ANK(RIGHT) RV1 PP40KA
472	37028128	BOTTOM HINGE PIN SS/BUILT-IN RV1
474	42165565	FOOT SS/ANK(LEFT) RV1 PP40KA
476	42209616	SS ASM KIT/DD 54 CM RV3 (WITHOUTBRACKET)
477	22021982	TOP COVER SHEET BI/54CM SNWHITE
478	42147208	SS DOOR REAL/1400 SW RV1
478B	42180204	SS DOOR RAIL COVER/1400 ANK(S.W.)
479	42033307	SS DOOR GUIDE/1400 ANK(S.W.)
480	37001045	SCREW KA YHB 4*17 C ST CHIPBOARD
480	37030634	SCREW,P,YSB,40x13,C,ST,A3K,SUNTA
481	42217911	FURN. SPACE COVER GASKET/3200BI-SS (SW)
482	37001157	MIDDLE SS HINGE/2600 ANK.
483	37032978	SS MID HNGE SIDE BRACK/BUILTIN/2300-2460
499	32029717	TERMAL FUSE SINGLE/NOVA
500	42031850	F FAN MOTOR BOX
510	37036052	SCREW M,YHB,5x14,F,ST,A3K,TT, LAMELLA
533	32030657	FIN EVAP HEATER/2751(230V,120 W)
533	32030657	FIN EVAP HEATER/2751(230V,120 W)
569	42157051	BOTTOM BASK.GR/319(TRANS-GRAY)
570	42228974	F FLAP COVER GR/2791(TRANS-GRAY) FLYP
588	37022711	SCREW S YPB 4.2*14 C ST
626	42179530	FREEZER FAN MOTOR RUBBER 590/SILIKON
704	42152884	CRISPER FLAP GR/2795(432C \$)HUMC
735	42217561	LED COVER GR/319/BDL3(I)/DIF
737	42217517	LED COVER/319
738	32034650	LED ST/2835*6/8*129MM/BDL3 (I)
804	37024005	PROPELLER COVER/5661 RV1



RI5506

Caple 50/50 Integrated Fridge Freezer FF

Item	Part Number	Description
829	37012412	SCREW M YSB 4*17 C ST TT
1026	42176268	MUTUAL COMPRESSOR RUBBER
	37035583	SCREW ST 4*14 YSB-R-F-A3K
	32042903	HEAD.PAN.GR/2761(KAR)432C SUPER \$
	32042904	DB/BDD53R1C/2761E/E/R11/V102-23655103
	37035783	SCREW KA 40*13 YSB-R-C-A3K
	37038214	SCREW TT M5*16 TSB-F LAMELLA
	42140924	BASKET EXT TRIM/2451(AM83112FOIL)
	42140924	BASKET EXT TRIM/2451(AM83112FOIL)
	42140924	BASKET EXT TRIM/2451(AM83112FOIL)
	42228598	F FLAP COVER 2791TRAN-GRAY RV1
	42233020	KROSE