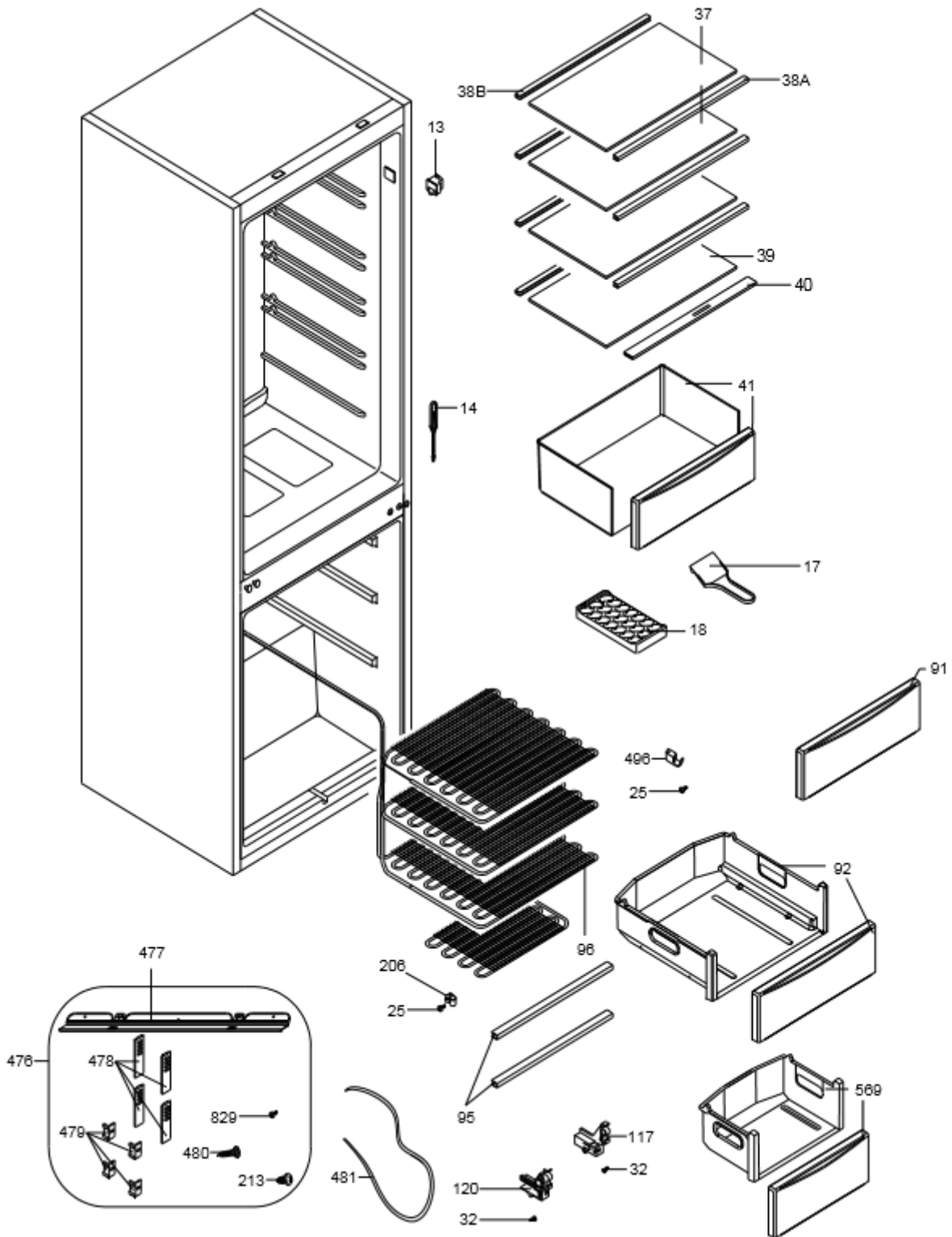




RI5500

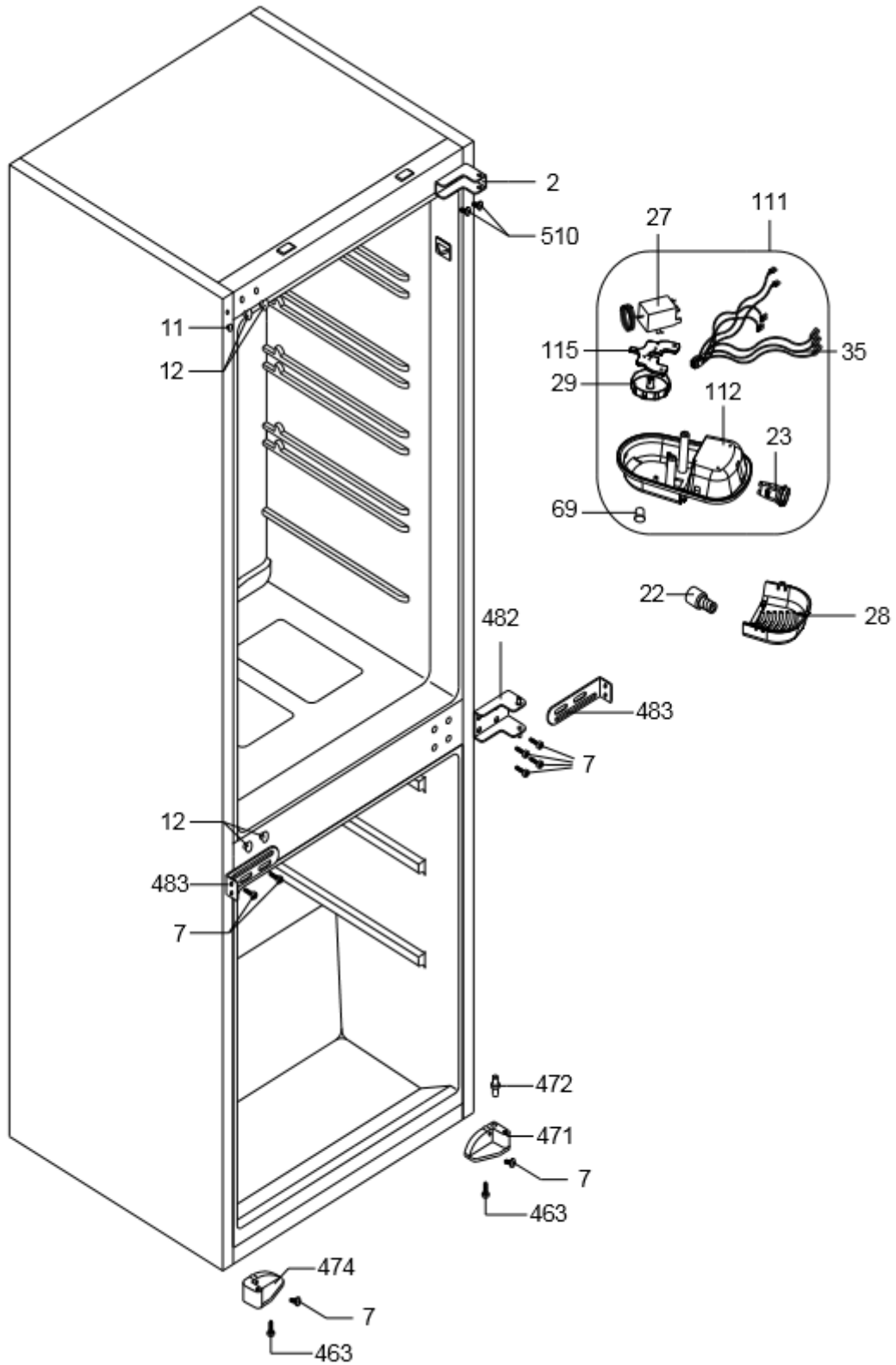
Caple Integrated 50/50 Fridge Freezer





RI5500

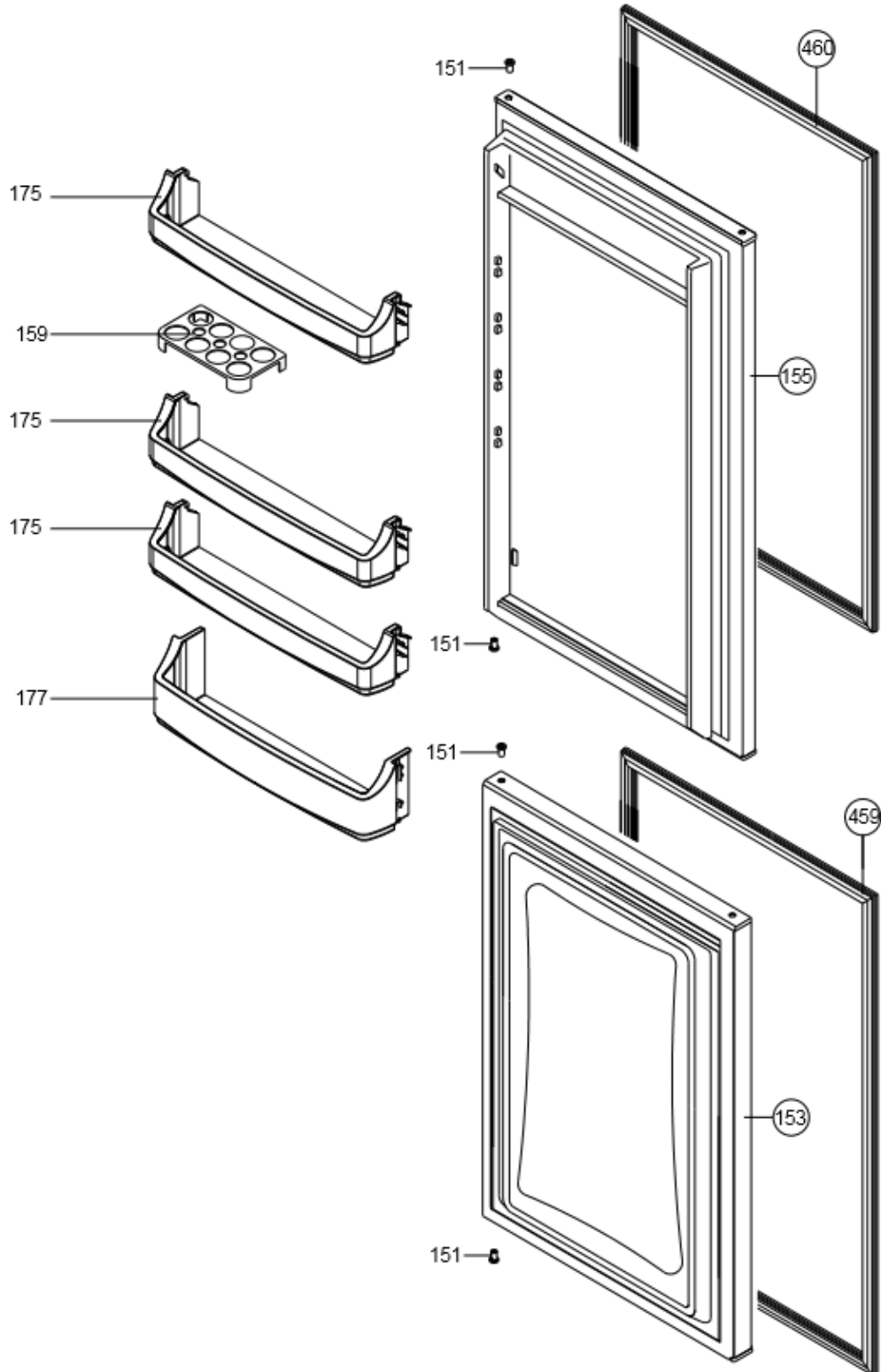
Caple Integrated 50/50 Fridge Freezer





RI5500

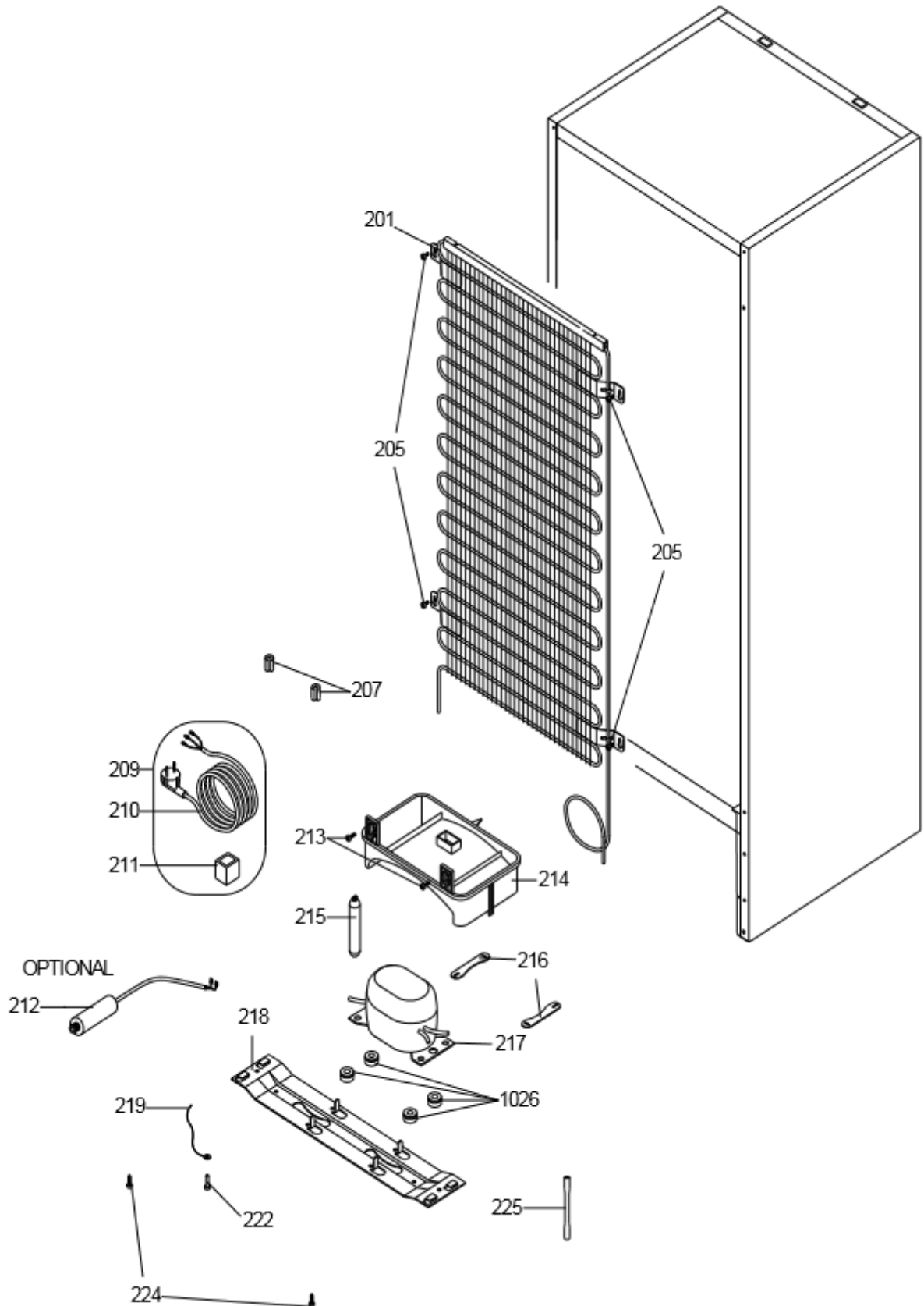
Caple Integrated 50/50 Fridge Freezer





RI5500

Caple Integrated 50/50 Fridge Freezer





RI5500

Caple Integrated 50/50 Fridge Freezer

Item	Part Number	Description
2	37028246	BOTTOM/TOP HINGE SS/1400 BUILT HEX PIN
7	37024764	SCREW TT M5*16 YSB-F
11	42032779	MIDDLE HINGE SREW CAP(SMALL)NEW(S.W.)
12	42032778	MIDDLE HINGE SREW CAP(BIG)S.W.(NEW)
13	32007761	DOOR SWITCH(S.W.)2POLE
14	42124318	TUNNEL DRAIN PLUG S.W. RV1
17	42133750	ICE SCRAPER NEW
18	42178383	ICE TRAY/170
22	32028706	LED BULB(E14/220-240V)/NMH
23	30007907	LAMP HOLDER E-14
25	35003482	SCREW 40*13 YSB-R-C-INOX
25	35003482	SCREW 40*13 YSB-R-C-INOX
27	32019371	TERMOSTAT(FOSHAN KDF29N1)
28	42147118	LAMP COVER/319
29	42156472	THERMOSTAT KNOB/319(S.W.-432CSRGF)SHORT
32	35000744	SCREW KA 40*18 YSB-C-INOX
35	32018429	WIRING HAR/COMBI/COMMON(10 mnf)
37	47014890	R COMPARTMENT GLASS SHELF/2751
38A	42153785	R.GLASS SHELF PRF/3951(EXT)WH 442.5
38B	42147146	R.GLASS SHELF BACK TRIM/319(S.W)
39	47014813	CRISPER GLASS SHELF/2751 (SLIDER)
40	42152884	CRISPER FLAP GR/2795(432C \$)HUMC
41	42157049	R.CRISPER GR./319 TRANS-GRAY
69	42033673	THERMOSTAT BOX CAP(S.W)
91	42157037	F FLAP COVER 2791TRAN-GRAY
92	42157053	FREEZER TOP BASKET GR/318 (TRANS-GRAY)
95	42157126	F EVAP TRIM/318(INJ)S.W.
96	37029031	F EVAPORATOR ASSY/2750 ANK(WOT)
111	32032295	LAM. THERM. BOX GR/2750-2760(+) LDA RV1
112	42147115	LAMP.THERM.BOX/319
115	42169986	THERMOSTAT ASSY.BRACKET RV2
117	42031901	F COVER SUPPORT R/390(S.W.)
120	42031903	F COVER SUPPORT L/390(S.W.)(S.W.)
151	42004499	BUSHING/1400 ANK



RI5500

Caple Integrated 50/50 Fridge Freezer

Item	Part Number	Description
151	42004499	BUSHING/1400 ANK
153	20912661	F DOOR ASSY/2751 ANK S-W.CAP(S.W)
155	20912651	R DOOR ASSY/2751 ANK S-W.CAP(S.W)
159	42163485	EGG HOLDER (TRANS.-NAT) RV1
175	42157043	CHEESE BUTTER SHELF/319ERA(TRANS GRAY)
177	42157042	BOTTLE SHELF/319 ERA TRAN-GRAY
201	37028804	CONDENSER 54CM/24 PASS/4,00*0,5MM
201	37028804	CONDENSER 54CM/24 PASS/4,00*0,5MM
205	35009792	SCREW ST 4.8*13 YSB-T-C
205	35009792	SCREW ST 4.8*13 YSB-T-C
206	42009471	CABLE HOLDER(AVANTÄ°)WHITE - N-6B
207	42155463	RUBBER CONDANSER MUTUAL ANTIVIBRASYON
209	32033731	CAP.SUP.CAB.HDL140A/2,5MF/2,5M/UK
210	32007439	POWER CORD(2.5m-ENG)
211	32032118	OVER L.GR.HDL140A/2,5MF/ZHB60-120
211B	42177889	COMP.COVER/ZEL/GD-3
212	32010691	CAPACITOR 2,5UF/400V P2-TIRNAK(6,3*0,8)
213	35000743	SCREW 4.2*9.5 YSB-C
213	35000743	SCREW 4.2*9.5 YSB-C
214	42119400	EVAPORATING TRAY / 2500 BI
215	37028594	DRYER(XH9,0.40MM,7.5GR I.C.=2,0)SINGLE
216	20020023	COMP FIXING BRACKET
217	32032117	COMP.HDL140A/2,5MF/ZHB60-120/ZEL
218	37024783	COMP.BASEMENT/3200 BI
219	32027294	EARTH WIRE/WASHER
222	20865033	VIDA TOPRAK.KABLO/TRT(37023688)FANTOM
222	37023688	SCREW TT M4*6 YSB-T-F
222	37023688	SCREW TT M4*6 YSB-T-F
224	35000728	SCREW KA 50*14 YSB-F
225	35002664	SERVICE TUBE(105*6*0,7)TYPE B
459	42159331	F DOOR GASKET/2751 I (SW)
460	42159310	R DOOR GASKET/2751 I (SW)
471	42165566	FOOT SS/ANK(RIGHT) RV1 PP40KA
472	37028128	BOTTOM HINGE PIN SS/BUILT-IN RV1



RI5500

Caple Integrated 50/50 Fridge Freezer

Item	Part Number	Description
474	42165565	FOOT SS/ANK(LEFT) RV1 PP40KA
476	42180269	SS ASM KIT/DD 54 CM RV2 (WITHOUTBRACKET)
477	22021982	TOP COVER SHEET BI/54CM SNWHITE LASER
478	42147208	SS DOOR REAL/1400 SW RV1
479	42033307	SS DOOR GUIDE/1400 ANK(S.W.)
480	37001045	SCREW KA 40*17 OZEL1-C
481	42032772	SEALING/3200 ANK-SS(S.W.)
482	37001157	MIDDLE SS HINGE/2600 ANK.
483	37001158	SS MIDDLE HINGE SIDE BRACKET/BUILT-IN
496	42034126	WOT EVAPORATING HANGER/3200 ANK(NAT)
510	37003078	SCREW M,YHB,5x14,F,ST,A3K,TT
569	42157051	BOTTOM BASK.GR/319(TRANS-GRAY)
829	37012412	SCREW TT M4*17 OZEL2-C
1026	42018611	COMPRESSOR RUBBER



RI5500

Caple 50/50 Integrated Fridge Freezer

