



RFF732

Caple 70/30 Freestanding Fridge Freezer

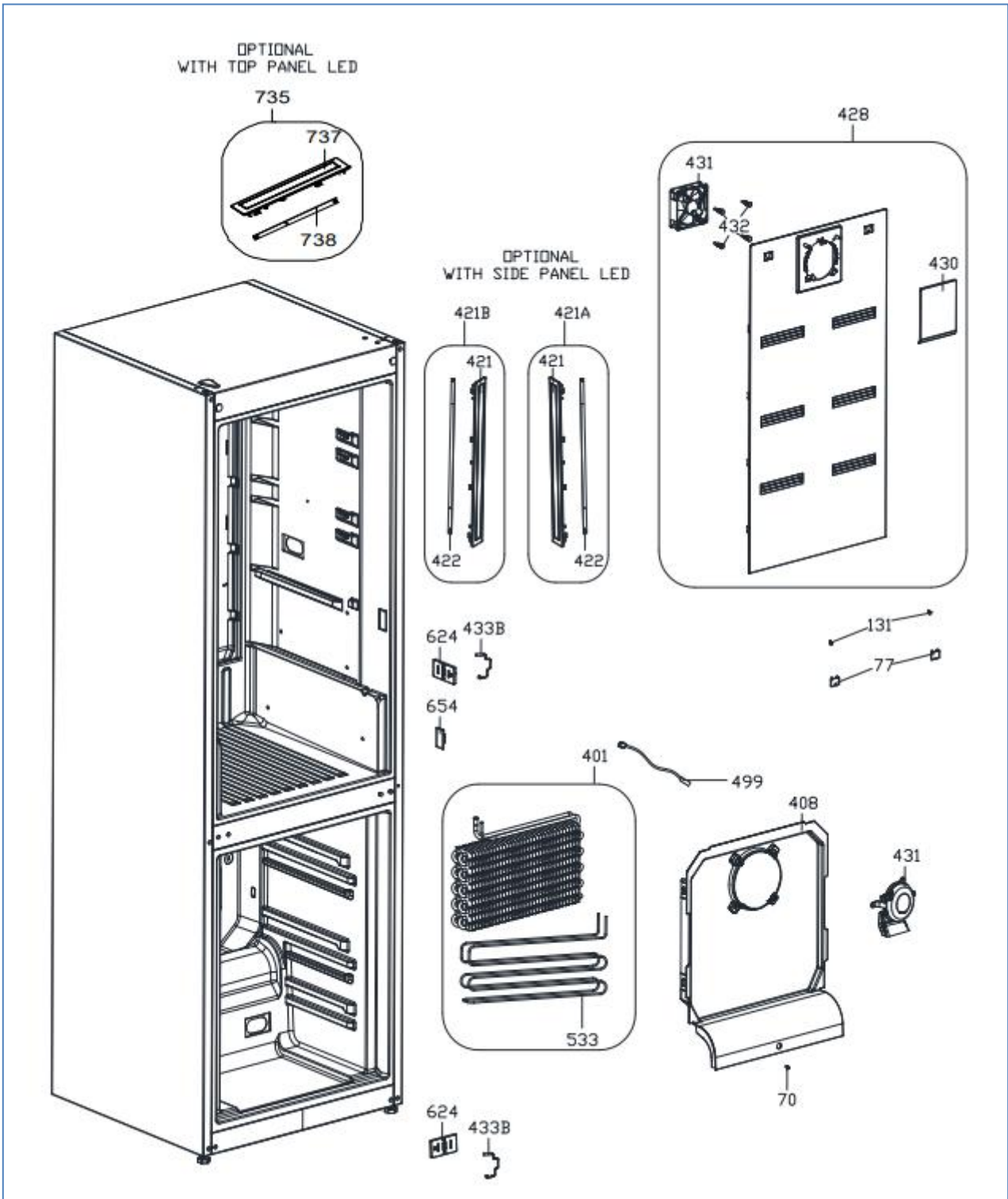


Technical Manual



RFF732

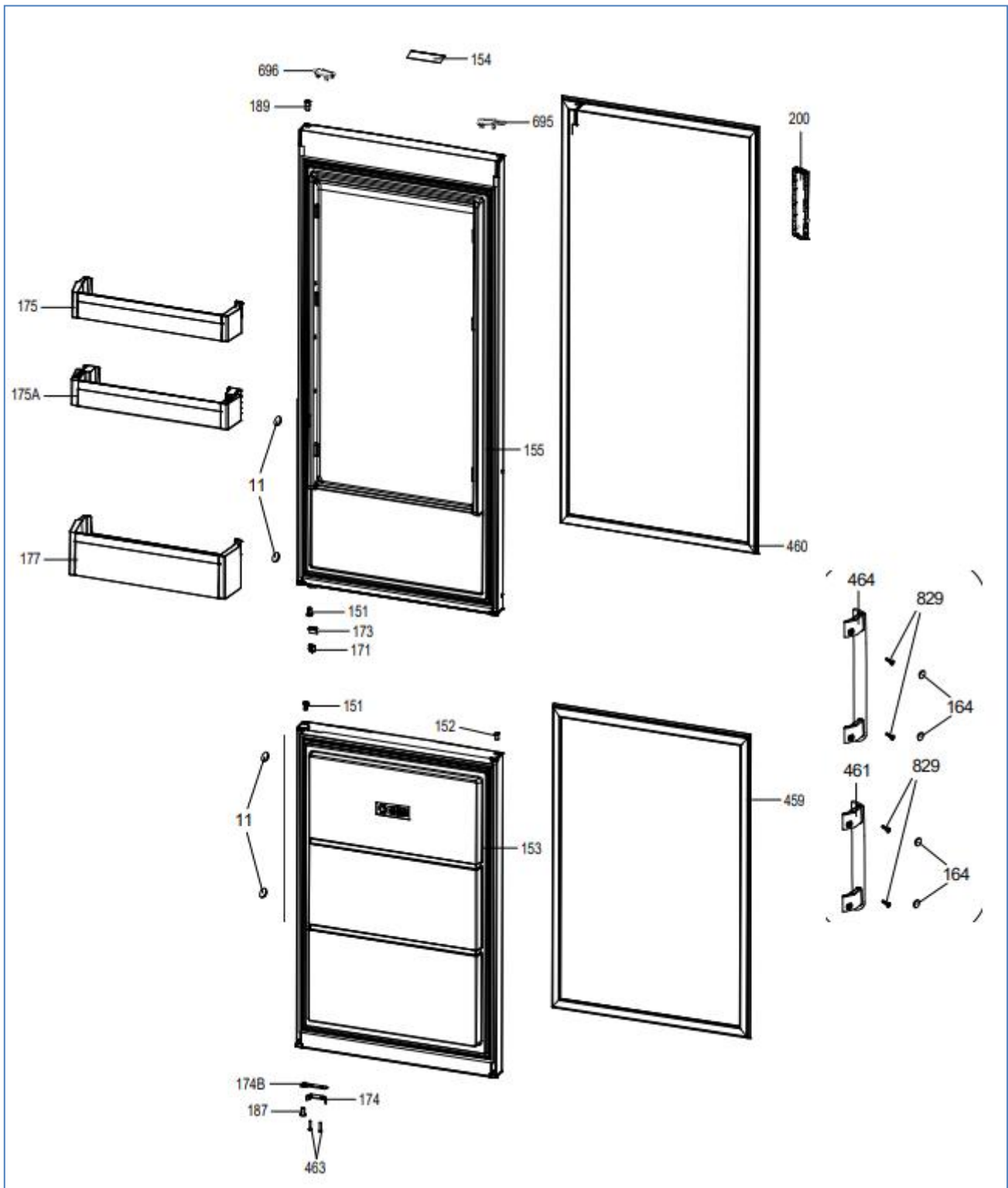
Caple 70/30 Freestanding Fridge Freezer





RFF732

Caple 70/30 Freestanding Fridge Freezer





RFF732

Caple 70/30 Freestanding Fridge Freezer

Item	Part Number	Description
2	37033421	TOP HINGE GR/54 CM GK-BXD ELC
5	35000717	SCREW KA 40*8 YSB-F
9	37031198	HINGE MIDDLE GR/473 RV1
11	42295954	DOOR H. SC. CAP LDPE VSG GRAY
12	42032778	MIDDLE HINGE SREW CAP(BIG)S.W.(NEW)
16	47022177	ADJUSTABLE FOOT M8X35
18	42125774	HIDDEN ICE TRAY
37	47022103	R GLASS SHELF NEW(3,2)373 IMP
37	47024472	R CRISPER GLASS SHELF(4)/373NR IMP
38	42241888	R.GLASS SHELF FR TRIM/373 HOT
38B	42231401	GLASS SHELF REAR CORNER TRIM 3,2MM
40	42285175	CRISPER FLAP GR/373 BH (432C \$)HUMC
41	42318004	CRISPER GR/373(TRANS-GRAY)SRGF
41	42317994	CRISPER/373(TRANS-WH.GRAY)PARTNER SR
70	37035782	SCREW KA 40*14 YSB-C-A3K
71	47024561	WINE RACK/GR/373YENI(CINKO)
71	47022029	WINE SHELF 373 NEW (ZINC)
77	42136559	HEAD PANEL CAP/2451S(S.W.)
89A	42295532	TOP HINGE COVER 54 CM GK BXD(VGRI)
89B	42295531	HINGE COVER 2451(VGRI)
100	40003861	ANTIVIBRATION (HEAT EXCHANGER)
135	35004932	SCREW ST 4.2*13 OZEL12-C
151	42128087	BUSHING/345P(GREY) RV1
152	42282285	BUSHING CAP NOTCHED (VGR)
152	42180994	BUSHING COVER(SW)
153	22332749	FÂ DOORÂ ASSY/373/HRF-VEGA(YINX-VGR)GRAYÂ S
154	47013813	LOGO CAPLE YENI TIP-4
155	22332679	RÂ DOORÂ ASSY/373E-VEGA-IMD(YINX-VGR)
159	42163485	EGG HOLDER (TRANS.-NAT) RV1
163	37012110	SCREW M4*10 YHB-F
164	42138818	DOOR HANDLE VMK CAP(BND)
164	42207503	BODY SCREW CAP(VSG)
171	42153756	STOPPER REINFORCEMENT PLS. 373 GREY
173	37024182	DOOR CATCHER STOPPER/473
174	37014382	BOTTOM STOPPER/HC
174B	37024183	BOTTOM STOPPER REINFORCEMENT 473



RFF732

Caple 70/30 Freestanding Fridge Freezer

Item	Part Number	Description
175	42249523	CHEESE/BUT.SHELF/373(TRANS-GRAY)FLM
175	42150243	CHEESE/BUT.SHELF/373(TRANS-GRAY)
175	42250473	CHEESE/BUT.SHELF/373(TRANS-GRAY)
175	42318019	CHEESE/BUTTER-SHELFGR(TRA.W.GRAY)CAPLESR
175	42155546	CHEESE/BUT.SHELF/373(TRAN-GRAY)SRGF
175	42318432	CHEESE/BUT.SHELF/373ERA(WHGRI)CAPLE424\$S
177	42249524	BOT.SHLF/373(TRANS-GRAY)FLM
177	42150244	BOT.SHLF/373(TRANS-GRAY)
177	42249527	BOT.SHLF/373(TRANS-GRAY)
187	42001533	BUSHING/345CE(GRAY)
189	42014608	BUSHING/540CE(LXG)
200	32054477	DIS.PA.GR/IMD/FFC/FFTF/HT/FIRCALI V13
200	32054475	DB/BDD55/HNT/FFC/FFTF/R4/V13
201	37028130	CONDENSER 60CM/24 PASS/4,00*0,5MM (2HAV
203	42329128	SPACER PLS RCY PP PP PLT
205	35009792	SCREW ST 4.8*13 YSB-T-C
207	42155463	RUBBER CONDENSER ANTIVIBRATION
209	32051056	CAP.SUP.CAB.TG1112Y/3,5UF-MET/2,5M/UK
210	32007439	POW.CRD/2.5M/UK
211	32039244	OVER L.GR.TG1112Y/DRB17L61/QPS2C15MD3
211B	42252535	COMP.COVER/JIAXIPERA24.04.069 RV1
212	32040619	CAPACITOR 3.5uF/A-S2/6.3/METAL
214	42291444	EVAPORATING TRAY/ ACC/JIAX-FR NAT
215	37030927	DRYER(XH6,0.40MM,7.5GR I.C.=2,1)SINGLE
216	37054237	COMP. FIXING BRACKET (0,8)
217	32039243	COMPR.TG1112Y/3.5UF/QPS2C15/DRB17L61/JIA
218	37038642	COMP BASEMENT/373 PROGR.
219	32036742	EARTH WIRE(PGYB)WASHER/0,50
222	37023688	SCREW TT M4*6 YSB-T-F
225	37049663	SERVICE TUBE(95*6*0,7)TIP B
227	42157011	FRONT/BACK WHEEL PP40KA
228	37009550	REAR WHELL PIN
237	32053780	MB/BDA67/HNT/373EM/RD/IY/E-F/R15/V3.9.2
238A	22382909	MB/NAT/BD67/373/HNT/IYN/M
244	42222166	MAINBOARD COVER LOW 5VA NAT
333	42033005	CRISPER ROLLER/540(S.W.)
339	42318003	CHILLER GR/373(TRANS-GRAY)SRGF
339	42317993	CHILLER/373(TRANS-WH.GRAY)PARTNER SR
400	37054538	FIN EVAPORATOR/373-383/GROOVED/V



RFF732

Caple 70/30 Freestanding Fridge Freezer

Item	Part Number	Description
408	32048434	FRE.AIR.DUCT.GR/373 RADIAL NIDEC
428	42282690	AIR DUCT GR 373 DJ
431	32040718	TUR.FAN.MOT(92*92*25)DJF92T7AS6-S07E28
431/431B	32043024	RAD.FAN.MOT.GW10C12MS2CA9-51E28-1650
432	47011757	MOTOR FAN KAU.916-NEW
433B	32010909	SENSOR/STANDART/R6K/70MM/SINGLE
455	37000156	SCREW KA 30*6 YSB-F
455	37035583	SCREW ST 4*14 YSB-R-F-A3K
459	42155749	B/D GASKET 373-383-374 DETACH-I(VF GREY)
460	42155745	T/D GASKET 373-374 DETACH-I (VF GREY)
498	42145376	HANDLE VEGA PACKAGE(220-370)BND/IX
499	32027624	TERMAL FUSE DOUBLE
505	42248654	MID/HINGE CAP CLINC. (SW)
510	37036052	SCREW M,YHB,5x14,F,ST,A3K,TT, LAMELLA
533	32052892	FIN EVAP HEAT/373/230V/124W/V
545-624B	42181440	SENSOR COVER
624	42154365	SENSOR COVER 473 (S.W.)RV1
629	42159531	HANDLE VEGA 220 GR (BND/IX)
630	42159532	HANDLE VEGA 370 GR (BND/IX)
641	37038501	BOTTOM HINGE WITH RING GR/373
654	32053696	REED/SVIC/GR/90R (KAR)
654	32040302	REED SWITCH PCB (90R)
695	42286966	R/D PANEL COVER 373 RIGHT (VGR)
696	42286967	R/D PANEL COVER 373 LEFT (VGR)
722	42150254	BOTTOM BASKET GR./373(TRNS-GRAY)FLM
722	42150245	BOTTOM BASKET GR./373(TRNS-GRAY)
725	42150255	TOP BASKET GR./373(TRANS GRAY)FLM
725	42150247	TOP BASKET GR./373(TRANS.GRAY)
726	42294686	CRISPER RAIL RIGHT/373 RV2
727	42294687	CRISPER RAIL LEFT/373 RV2
735	42232575	LED COVER GR /319/BDL3(H)/DIF
737	42217517	LED COVER/319
738	32051998	LED ST/2835*6/8*129MM/BDL3(H)G
740	37015179	SCREW KA YSB 2.2*5 F ST
753	42294683	CHILLER RAIL LEFT/373 RV3
754	42294670	CHILLER RAIL RIGHT/373 RV3
1026	42176268	COMPRESSOR RUBBER



RFF732

Caple 70/30 Freestanding Fridge Freezer

Item	Part Number	Description
	37025272	SCREW KA 30*20 YSB-AD HOC R-F
	37025273	SCREW 30*10 YSB-R-C
	37047545	SCREW,P,RYSB,4X8,F,A3K
	37038214	SCREW TT M5*16 TSB-F LAMELLA
	37039734	COMPRESSOR CHASIS GR./ADJUSTABLE WHEEL
	37048855	SCREW KA 50*14 TSB-F
	42264702	CONDENSER PIPE HOLDER (2'LI-VO)
	42113828	COMPRESSOR BUTYL RUBBER (4X90X120)
	42142300	PLS. WASHER NEW RV2
	52188758	ASM.KIT.BAG PRINTED 18*50CM
	42184369	RONDELA 2,5MM WHITE
	42315021	FAN COV.GR CAPLECOOLP428+CG6C\$(15*15)
	42150769	CRISPER CHILLER EXT TRIM/373(AM83112FOIL



RFF732 Wiring Diagram

