



RFF731

Caple 70/30 Freestanding Fridge Freezer

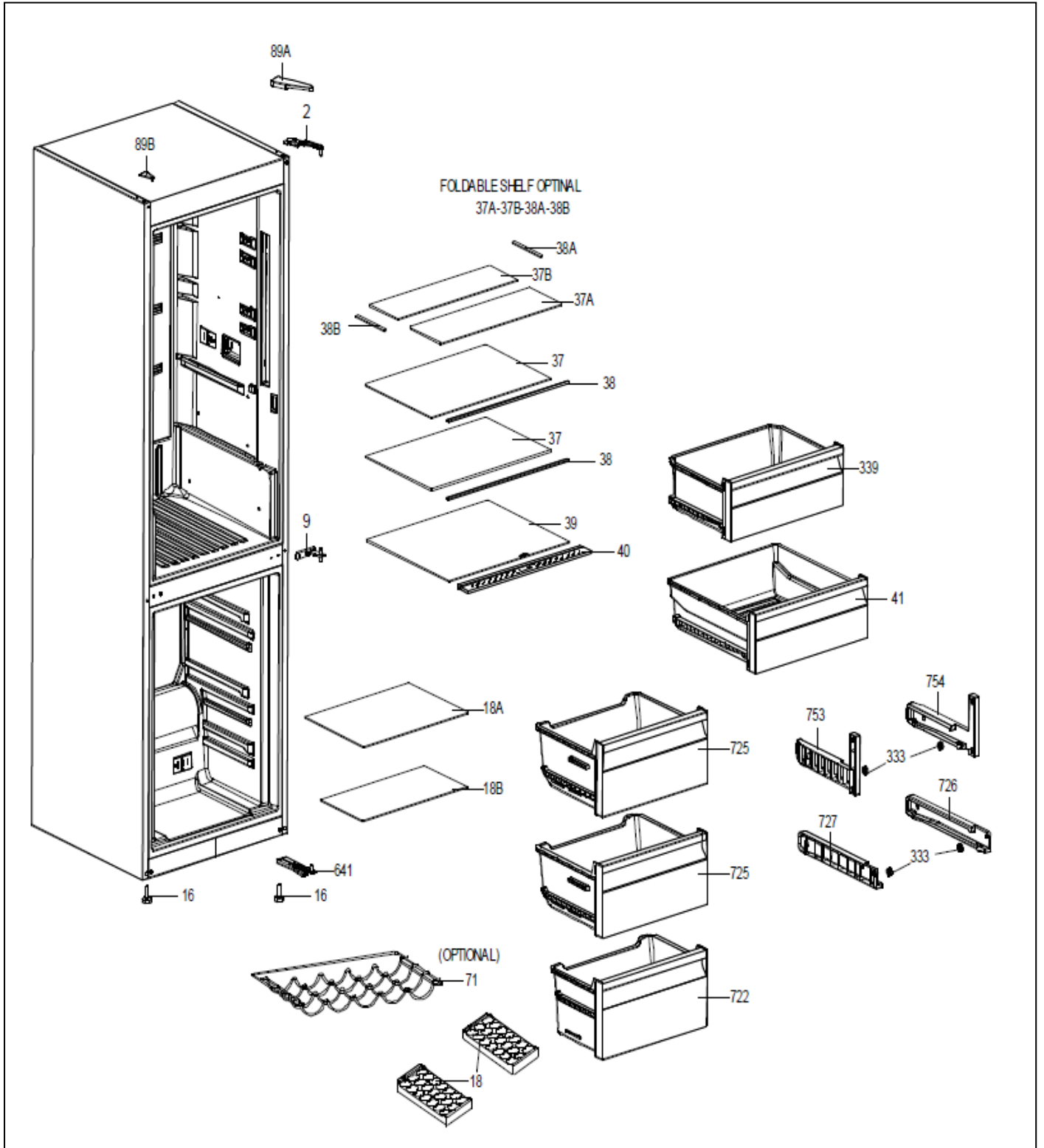


Technical Manual



RFF731

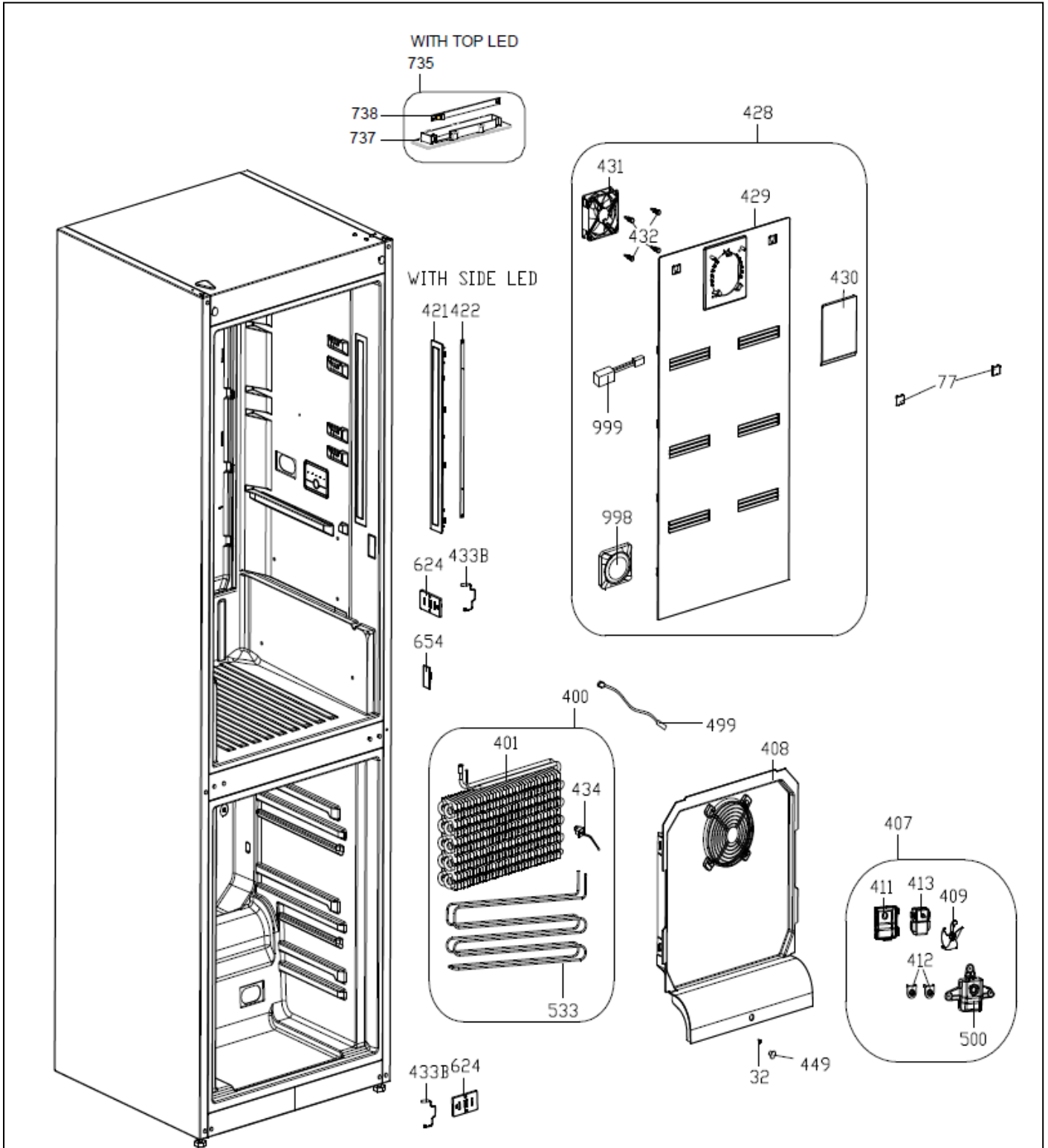
Caple 70/30 Freestanding Fridge Freezer





RFF731

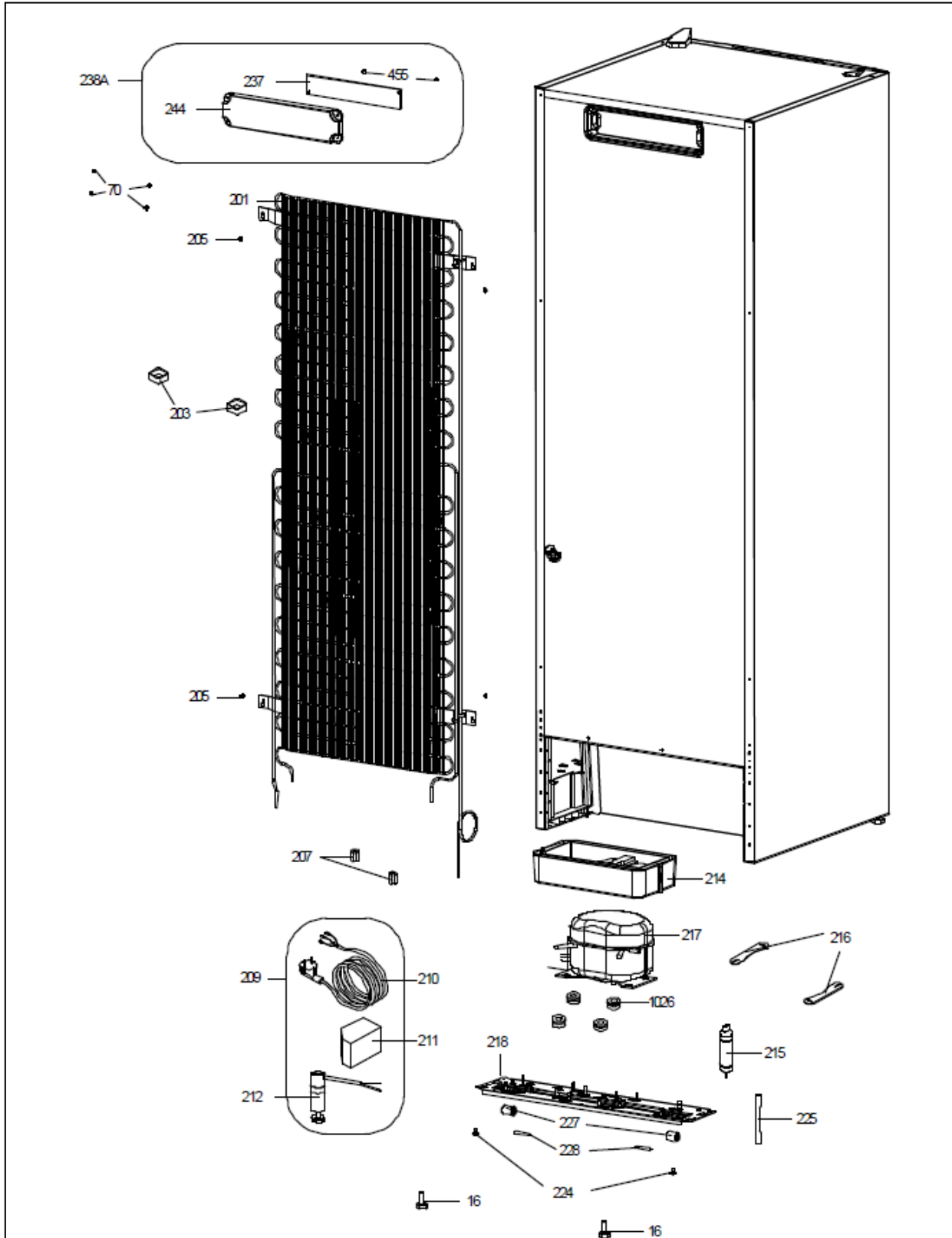
Capele 70/30 Freestanding Fridge Freezer





RFF731

Cape 70/30 Freestanding Fridge Freezer





RFF731

Caple 70/30 Freestanding Fridge Freezer

Item	Part Number	Description
2	37033421	TOP HINGE GR/54 CM GK-BXD ELC
7	20871900	TOP HINGE SCREW/HC(37032597)FANTOM
7	37032597	SCREW TT M5*16 YSB-F
9	37031198	HINGE MIDDLE GR/473 RV1
11	42170935	MIDDLE/HINGE SREW CAP(SMALL)VSG.GRAY
12	42032778	MIDDLE HINGE SREW CAP(BIG)S.W.(NEW)
16	47010430	ADJUSTABLE FOOT M8X35(GRAY)
18	42125774	ICE TRAY COMMON
18A	47015404	F SHELF TOP(3,2)373 RV1
18B	47015407	F SHELF BOTTOM(3,2)373 RV1
37	47015403	R GLASS SHELF(3,2)373
38	42203456	R.GLASS SHELF PRF/366(EXT)WH RV1 492
39	47019641	CRISPER GLASS SHELF 373 NEW REG
40	42145686	CRISPER FLAP GR/373(432C \$)HUMC
41	42152871	CRISPER GR/373(TRANS-GRAY)SRGF
41	42152451	CRISPER/373(TRANS-WH.GRAY)PARTNER SR
70	37035782	SCREW KA 40*14 YSB-C-A3K
71	47013626	WINE SHELF 373 (ZINC)
77	42136559	HEAD PANEL CAP/2451S(S.W.)
89A	42206322	TOP HINGE COVER 54 CM GK BXD(VSG)
89B	42183206	HINGE COVER 2451(VSG)
135	35004932	SCREW ST 4.2*13 OZEL12-C
151	42128087	BUSHING/345P(GREY) RV1
152	42182265	NOTCHED BUSHING CAP(GREY)
152	42180994	NOTCHED BUSHING CAP(S.W.)
153	20909349	F DOOR ASSY/373/HRF-VEGA(IFIX-BND)
154	47013813	LOGO CAPLE YENI TIP-4
155	20909348	R DOOR ASSY/373E-VEGA-IMD(IFIX-BND)
159	42163485	EGG HOLDER (TRANS.-NAT) RV1
163	37012110	SCREW M4*10 YHB-F
164	42138818	DOOR HANDLE VMK CAP(BND)
164	42207503	BODY SCREW CAP(VSG)
171	42153756	STOPPER REINFORCEMENT PLS. 373 GREY
173	37024182	DOOR CATCHER STOPPER/473
174	37014382	BOTTOM STOPPER/HC
174B	37024183	BOTTOM STOPPER REINFORCEMENT 473
175	42150243	CHEESE/BUT.SHELF/373(TRANS-GRAY)
175	42155318	CHEESE/BUTTER-SHELFGR(TRA.W.GRAY)CAPLESR
175	42150243	CHEESE/BUT.SHELF/373(TRANS-GRAY)
175	42155546	CHEESE/BUT.SHELF/373(TRAN-GRAY)SRGF
177	42150244	BOT.SHLF/373(TRANS-GRAY)



RFF731

Caple 70/30 Freestanding Fridge Freezer

Item	Part Number	Description
187	42001533	BUSHING/345CE(GRAY)
189	42002868	BUSHING/540CE(GRAY)
200	32039214	DIS.PA.GR/IMD/FFCOMBI(FIRCALI) V59.7 YL
201	22062075	MAIN CONDANSER GR./345(D50) RV1
201	37020470	MAIN CONDANSER/345(D50)
203	42238602	SPACER(NAT) RV1
205	35009792	SCREW ST 4.8*13 YSB-T-C
207	42155463	RUBBER CONDANSER MUTUAL ANTIVIBRASYON
208	40017915	CONDANSER HOLDER(2)
210	32041798	POW.CRD/GR/2.5M/UK/VCC/FER
211	32042356	VFA090CY1/INVERTER S
213	35000743	SCREW 4.2*9.5 YSB-C
214	42031559	EVAPORATING TRAY GR/345 (S.W.)FR
215	37030927	DRYER(XH6,0.40MM,7.5GR I.C.=2,1)SINGLE
216	20020023	COMP FIXING BRACKET
217	32034496	COMP.VFA090CY1/VCC/DN
218	37038359	COMPRESSOR CHASIS GR./ADJUSTABLE WHEEL
218	37034859	COMP BASEMENT/345
219	32036742	EARTH WIRE(PGYB)WASHER/0,50
222	37023688	SCREW TT M4*6 YSB-T-F
224	35000728	SCREW KA 50*14 YSB-F
225	35002664	SERVICE TUBE(105*6*0,7)TYPE B
227	42157011	FRONT/BACK WHEEL PP40KA
228	37009550	REAR WHELL PIN
237	32042263	MB/BDA67/373E/FK/E/R7/V27-23665100
238A	42238775	MAINBOARD COVER GR BD67 373E/FK/E/5A
244	42222166	MAINBOARD COVER LOW 5VA NAT
333	42033005	CRISPER ROLLER/540(S.W.)
339	42152870	CHILLER GR/373(TRANS-GRAY)SRGF
339	42152450	CHILLER/373(TRANS-WH.GRAY)PARTNER SR
401	37026499	FIN EVAPORATOR/373-383
407	32039139	FREZER FAN MOTOR /BLDC (1350RPM) YS
408	32035374	F MULTIFLOW GR/373(S.W.)RV1
410	35001893	PROPELLER SPRING
411	42031847	F FAN MOTOR COVER/590UHS(NAT)
413	32035203	FREEZER FAN MOTOR 1350RPM
428	42162936	R MULTI FLOW GR/373(S.W)ING SRGF NFMC MI
430	42162600	COOLING FAN COVER/473(SW)432C/NFMC/ENGSR
431	32036535	TUR.FAN.MT.DC(92*92*25)T92T12MS5A7-5 JWT
432	47011757	MOTOR FAN KAU.916-NEW
433B	32010909	SENSOR/STANDARD/R6K/70MM/SINGLE



RFF731

Caple 70/30 Freestanding Fridge Freezer

Item	Part Number	Description
455	37000156	SCREW KA 30*6 YSB-F
459	42155748	B/D GASKET 373-383-374 DETACH-I (SW)
460	42155744	T/D GASKET 373-374 DETACH-I (SW)
498	42145376	HANDLE VEGA PACKAGE(220-370)BND/IX
499	32027624	TERMAL FUSE DOUBLE
500	42031850	F FAN MOTOR BOX
510	37036052	SCREW M,YHB,5x14,F,ST,A3K,TT, LAMELLA
533	32028762	FIN EVAP HEATER/373/230V/124W
624	42154365	SENSOR COVER 473 (S.W.)RV1
626	42179530	FREEZER FAN MOTOR RUBBER 590/SILIKON
629	42159531	HANDLE VEGA 220 GR (BND/IX)
630	42159532	HANDLE VEGA 370 GR (BND/IX)
641	37038501	BOTTOM HINGE WITH RING GR/373
654	32033892	REED/SWITCH/GR/PIC
695	42149635	R/D PANEL COVER 373-RIGHT(BND GRAY)
696	42149638	R/D PANEL COVER 373-LEFT(BND GRAY)
722	42150254	BOTTOM BASKET GR./373(TRNS-GRAY)FLM
722	42150245	BOTTOM BASKET GR./373(TRNS-GRAY)
725	42150255	TOP BASKET GR./373(TRANS GRAY)FLM
725	42150247	TOP BASKET GR./373(TRANS.GRAY)
726	42161622	CRISPER RAIL RIGHT/373 RV1
727	42161623	CRISPER RAIL LEFT/373 RV1
735	42217561	LED COVER GR/319/BDL3(I)/DIF
737	42217517	LED COVER/319
738	32034650	LED ST/2835*6/8*129MM/BDL3 (I)
740	37015179	SCREW KA YSB 2.2*5 F ST
753	42197610	CHILLER RAIL LEFT/373 RV2
754	42197611	CHILLER RAIL RIGHT/373 RV2
1026	42176268	MUTUAL COMPRESSOR RUBBER
175-W FILM	42150252	CHEESE/BUT.SHELF/373(TRANS-GRAY)FLM
177-W FILM	42150253	BOT.SHLF/373(TRANS-GRAY)FLM
409-230	42146100	FAN PROPELLER 120MM CCW /473
	37025272	SCREW KA 30*20 YSB-AD HOC R-F
	37025273	SCREW 30*10 YSB-R-C
	32010069	REED SWITCH PCB(COVER)
	32039175	DB/BDD55/FFC/NPCB/YL/R14/V59.7-23597379
	37035547	SCREW TT M5*25 YSB-F LAMELLA
	37035583	SCREW ST 4*14 YSB-R-F-A3K
	37035784	SCREW KA 40*18 YSB-R-C-A3K
	37038214	SCREW TT M5*16 TSB-F LAMELLA

RFF731 Wiring Diagram

