



CAFF46GM

Caple 4 Door F/S Fridge Freezer



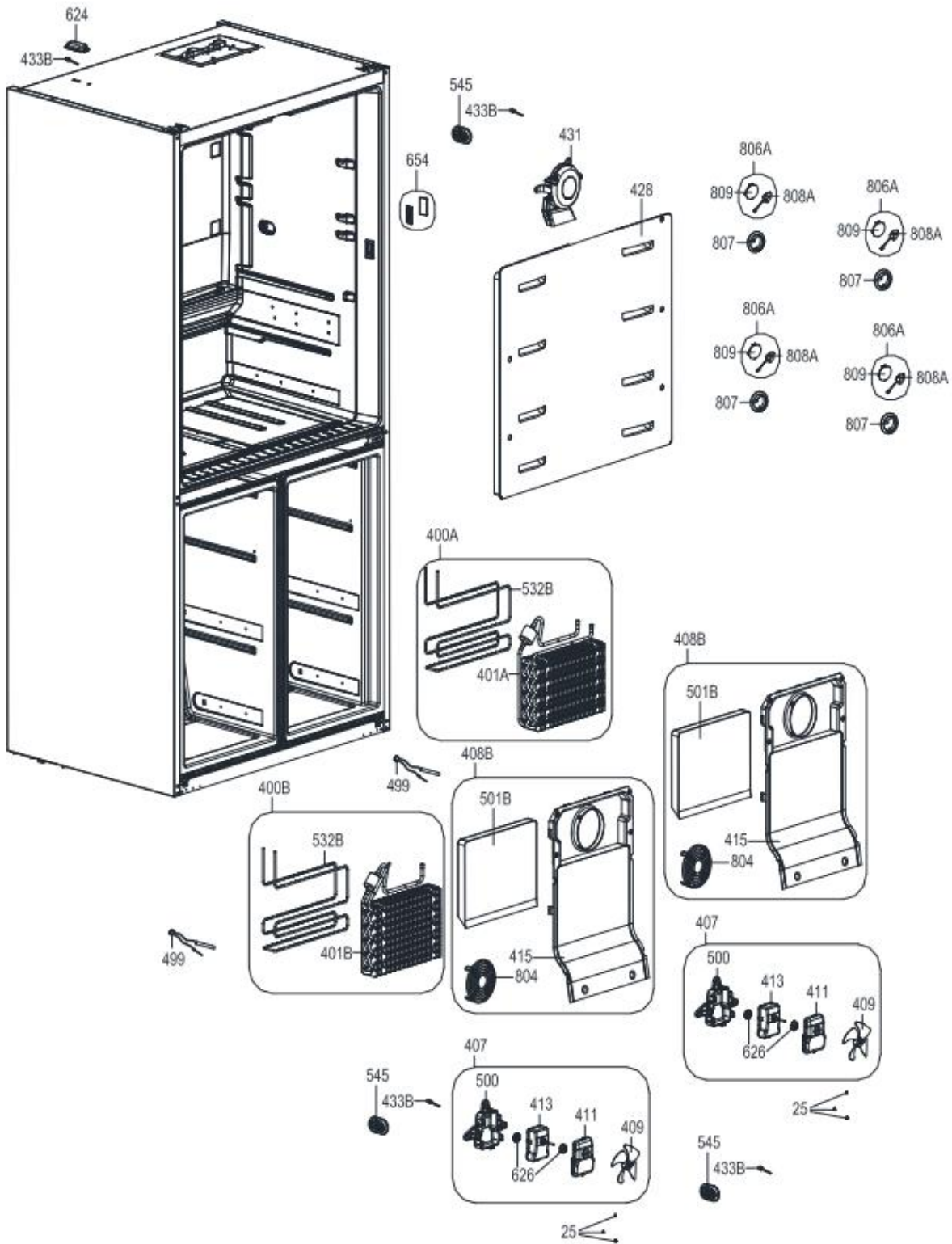
Technical Manual





CAFF46GM

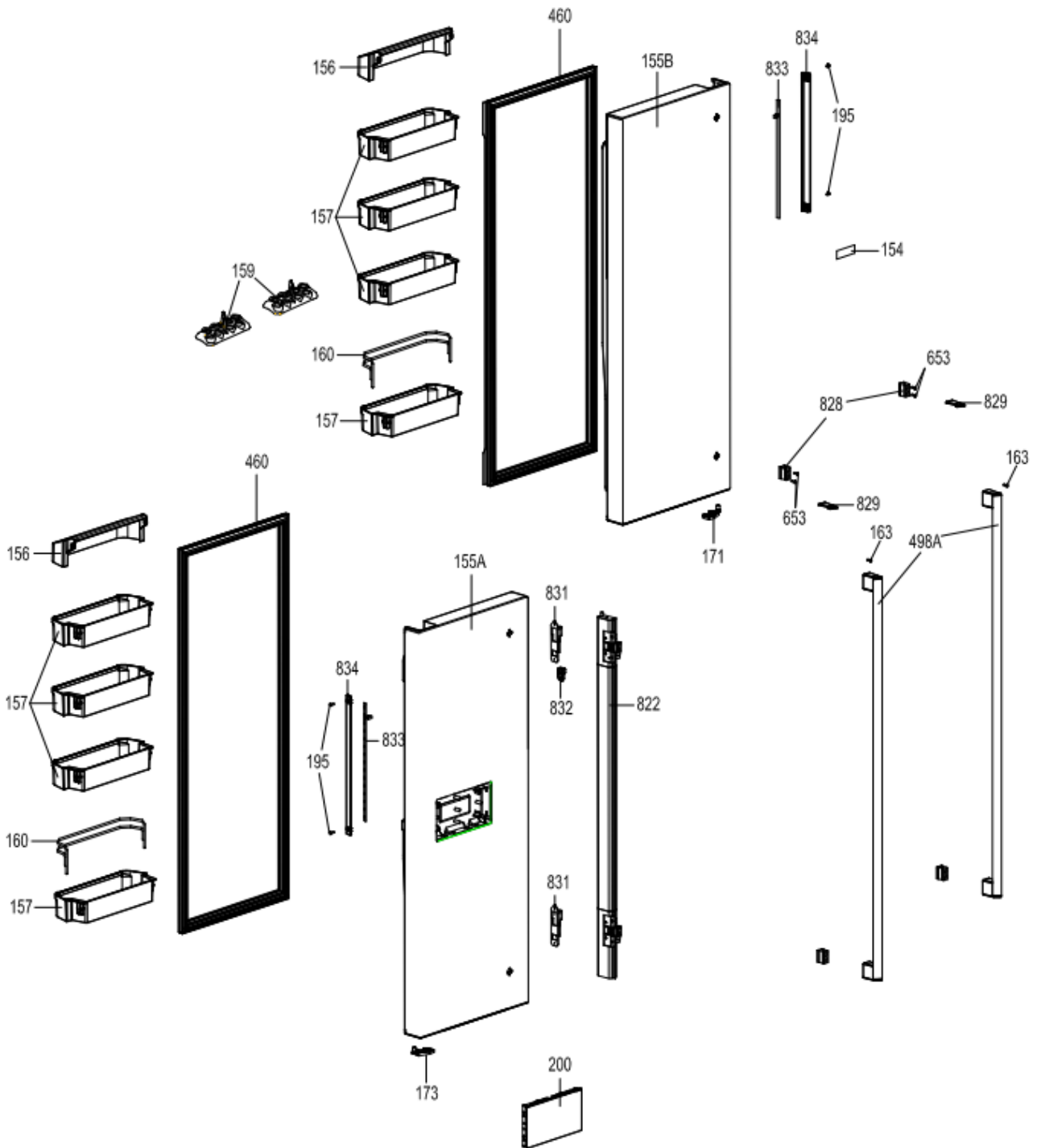
Cable 4 Door F/S Fridge Freezer





CAFF46GM

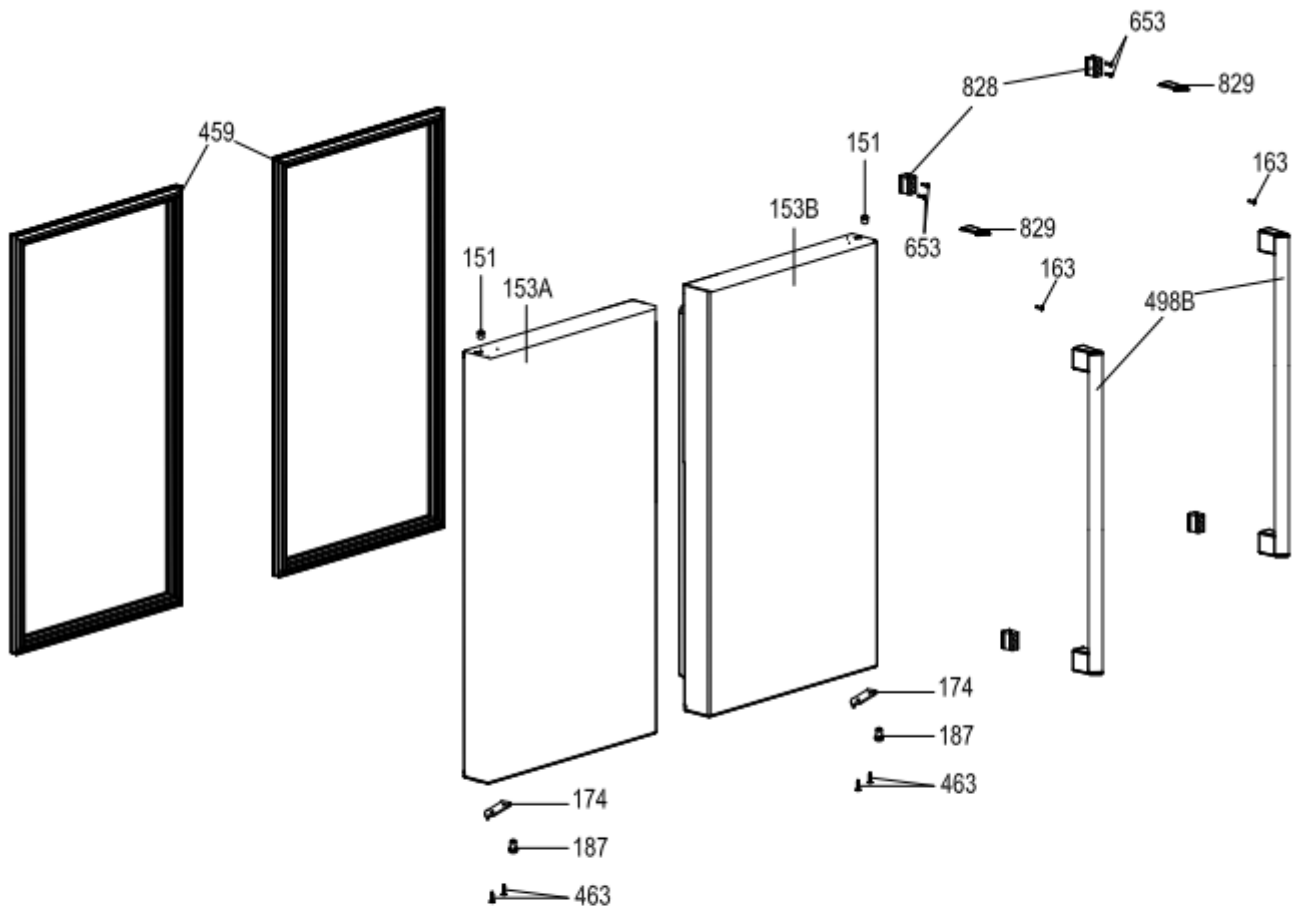
Cable 4 Door F/S Fridge Freezer





CAFF46GM

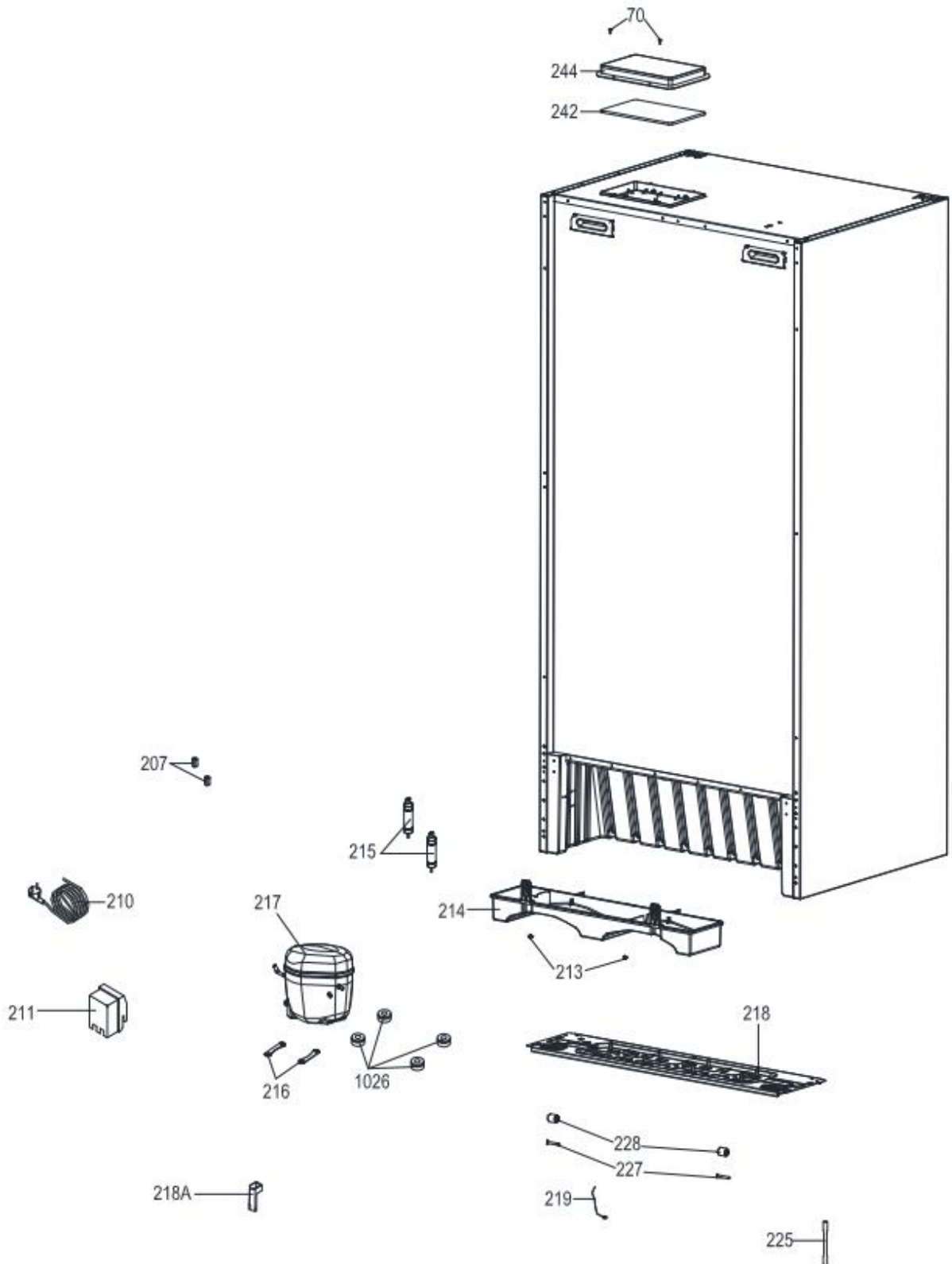
Caple 4 Door F/S Fridge Freezer





CAFF46GM

Caple 4 Door F/S Fridge Freezer





CAFF46GM

Caple 4 Door F/S Fridge Freezer

Item	Part Number	Description
2A	37026056	TOP HINGE RIGHT 910 SERVICE RV2
2B	37026055	TOP HINGE LEFT 910 SERVICE RV2
5	35000717	SCREW KA 40*8 YSB-F
7	37032597	SCREW TT M5*16 YSB-F
9A	37022373	MIDDLE HINGE RIGHT 910 RV1
9B	37022374	MIDDLE HINGE LEFT 910 RV1
11	42170935	MIDDLE/HINGE SREW CAP(SMALL)VSG.GRAY
15A	37032535	BOTTOM HINGE RIGHT GR/910 GR RV2
15B	37032536	BOTTOM HINGE LEFT GR/910 GR RV2
16	47016491	ADJUSTABLE FOOT M10X35(GRAY)
18	42125774	ICE TRAY COMMON
19A	47008961	F GLASS SHELF/910
19B	47010779	FREEZER BOTTOM WIRE SHELF/910(ALKALZINK)
20	42166059	F.GLASS SHELF PRF/910(EXT)DRKHOT 333
25	37035783	SCREW KA 40*13 YSB-R-C-A3K
25	37035783	SCREW KA 40*13 YSB-R-C-A3K
37	47015238	COOLER GLASS SHELF AQUASAFE SRGF/910 RV2
41A	42111087	CRISPER 910-RIGHT(TRANS-WH-GRAY)
41B	42111088	CRISPER 910-LEFT(TRANS-WH-GRAY)
42	37047467	CRISPER PRF WHŞ /910 DARKINX F2
58	42052644	KICK PLATE HOLDER GK(S.W.)
60	42191550	KICK PLATE/910 DARK RV1
62	42195319	ICE TRAY COVER/366 RV2(S.W.)
70	37035782	SCREW KA 40*14 YSB-C-A3K
87	35003056	FRONT WHEEL GR.
88	42126562	TOP HINGE C./910 RIGHT(DARKGRAMATVER)RV3
88A	42126561	TOP HINGE C./910GR RIG(DARKGRAMATVER)RV3
88B	42126564	TOP HINGE C./910 LEFT(DARKGRAMATVER)RV3
132B	42160575	DRAIN PIPE HOLDER 653
151	42073883	BUSHING TOP-910(LXG)
151	42128088	BUSHING/345P(LXG) RV1
153A	22037405	F DOOR ASSY/910-FD-LEFT-(DARKGRAY)
153B	22037404	F DOOR ASSY/910-FD-FLX-RIGHT(DARKGRAY)
154	47013813	LOGO CAPLE YENI TIP-4
155A	22037402	R DOOR ASSY/910-FD-FLX-LEFT(DIFIX-KGRAY)
155B	22037403	R DOOR ASSY/910-FD-FLX-RIGHT(DIFIX-DGRAY)
156	42111073	SHELF COVER/910
157	42166055	DOOR SHELF/910 GR.(TRA.-DARKINXPRF)
157	42191819	DOOR SHELF/910 GR.(TRA.-DARKINX)CAPL432Ş
159	42163485	EGG HOLDER (TRANS.-NAT) RV1



CAFF46GM

Caple 4 Door F/S Fridge Freezer

Item	Part Number	Description
160	47010425	DOOR SHELF 910
163	37012110	SCREW M4*10 YHB-F
164	42207490	BODY SCREW CAP(SNOW WHITE)
171	42116228	DOOR CATCHER RIGHT GR/910 (NAT)
173	42116229	DOOR CATCHER LEFT GR/910 (NAT)
174	37014382	BOTTOM STOPPER/HC
187	42073916	BUSHING BOTTOM/910(LXG)
195	35007969	SCREW S YSB 3.5*13 C ST SPECIAL
200	32047364	DIS.PA.GR/916/F/(BLACK)ENHOTST-V19
205	35009792	SCREW ST 4.8*13 YSB-T-C
207	42155463	RUBBER CONDANSER MUTUAL ANTIVIBRASYON
210	32026489	POW.CRD/2.5M/UK/VCC
211	32040398	BMK110NKMV/INVERTER
213	35000743	SCREW 4.2*9.5 YSB-C
213	37022312	SCREW S YSB 4*12 C ST SPECIAL
214	42263373	EVAPORATING TRAY GR/911(NAT)FR/PK
215	37029010	DRYER(XH9,0.40MM,10GR,I.C.=3,1)
216	20020023	COMP FIXING BRACKET
217	32040399	COMP.BMK110NKMV/VCC
219	32036741	EARTH WIRE(PGYB)VCC-WASHER/0,50
222	37023688	SCREW TT M4*6 YSB-T-F
225	35002664	SERVICE TUBE(105*6*0,7)TYPE B
226	35000752	DRYER VACUUM TUBE
227	42157011	FRONT/BACK WHEEL PP40KA
232	35002921	SCREW M4*10 YSB-F
244	42201169	MAINBOARD COV GR BD10
332A	42111078	CRISPER GR 910-RIGHT(TRANS-GRAY)
332B	42111079	CRISPER GR 910-LEFT(TRANS-GRAY)
333	42033005	CRISPER ROLLER/540(S.W.)
333B	42087619	CRISPER ROLLER/910(NAT)
334	42033070	CRISPER ROLLER HOLDER/540(NAT)
339	42173932	CHILLER SHELF GR/910(TRANS-WH-GRI)RV2
342	42111084	CHILLER SHELF /910(TRANS-WH-GRI)
400A	22207519	FIN EVAP GR/915A+-AKUSZ(2SIRSEYFI/TER/YI
400B	22207429	FIN EVAP GR/915A+-SOL(2SRSEYFIN)TER YIV
401A	37047443	FIN EVAP ASSEMB/916/GROOVED RIGHT
401A	37047443	FIN EVAP ASSEMB/916/GROOVED RIGHT
401B	37047442	FIN EVAP ASSEM/916/GROOVED LEFT
407	32038538	FRE.FAN MOTOR GR/BLDC (2200rpm)
408B	42212158	FREEZER AIR DUCT LEFT GR.910 RV1



CAFF46GM

Caple 4 Door F/S Fridge Freezer

Item	Part Number	Description
409	42197175	100MM CW NATURAL ABS IMPELLER NV
410	35001893	PROPELLER SPRING
411	42031847	F FAN MOTOR COVER/590UHS(NAT)
412-626	42179530	FREEZER FAN MOTOR RUBBER 590/SILIKON
413	32016100	EVAP FAN MOTOR/2200RPM
415	42074176	F MULTI FLOW COVER/910 (S.W)
428	42256672	REF.AIR.DUCT.GR/910 RAD 910/INXSACŞCAPLE
431	32042948	RADIAL FAN MOTOR 100MM-1650RPM SUNON
433B	32010909	SENSOR/STANDARD/R6K/70MM/SINGLE
449	42033244	R MULTIFLOW CAP/ 640(S.W.)
459	42077845	F DOOR GASKET/910(VFGRI)
460	42077799	R DOOR GASKET/910(VF GRAY)
498A	42186217	D.HANDLE FLX FRML GR T-SHORT(868)CLSIX
498B	42186218	D.HANDLE FLX FRML GR B-SHORT(413)CLSIX
499	32028176	TERMAL FUSE SINGLE
500	42031850	F FAN MOTOR BOX
501B	52064812	F MULTI FLOW INSULATION 2ROWS/910
532B	32036760	FIN EVAP HEATER/80W/910/SOCKET
510	37036052	SCREW M,YHB,5x14,F,ST,A3K,TT, LAMELLA
545	42053050	SENSOR COVER/566(S.W.)
588	37022711	SCREW S YPB 4.2*14 C ST
624	42163920	EMK SENSOR COVER GRAY RV
639	37014368	SCREW ST 4.2*12 OZEL8-C
642	42052437	WHEEL /GK
651	37035962	CHILLER RAIL INTERNAL 350 910 RV1
652	37035963	CHILLER RAIL INTERNAL 350 910 RV1
653	37010281	SCREEW M4*15 YSB-F
653B	42040299	STORAGE BOX RAIL DUBEL/465
654	32033892	REED/SWITCH/GR/PIC
704	42074085	CRISPER UPPER SHELF CLAMP 910 (S.W.)
710	32013579	NIGHT SENSOR
713	42111074	CRISPER-CHILLER SHELF GR/910
714	42111085	CRISPER-CHILLER SHELF BOTTOM/910
718	37029729	CHILLER PRF SRGF/910 DARKINX
720	42111082	BOTTOM BASK./910
721	42166057	CRISPER TRIM 910GR.(EXT)DARKPRF
722	42166056	BOTTOM BASK.GR/910(TRANS-WH-GRAY)DARK
724	42111089	TOP CRISPER/910 (TRANS-GRAY)
725	42166058	TOP CRISPER GR/910 (TRANS-WH-GRAY)DARK



CAFF46GM

Caple 4 Door F/S Fridge Freezer

Item	Part Number	Description
740	37015179	SCREW KA YSB 2.2*5 F ST
753	37035950	CRIS.RAIL OUT (RIGHT)910 RV1
753B	42074180	FRZ.BASKET ROLLER RAIL/TOP-RIGHT(910)
753C	42074190	FRZ.BASKET ROLLER RAIL/BOTTOM-RIGHT(910)
754B	42074186	FRZ.BASKET ROLLER RAIL/TOP-LEFT(910)
754C	42074188	FRZ.BASKET ROLLER RAIL/BOTTOM-LEFT(910)
754	37035961	CRIS.RAIL OUT (LEFT)910 RV1
800	42215470	TRIZ BAR CABINET GR.910(S.W.)RV2
801	37021419	CHILLER RAIL ASSEMBLY SHEET/FRONT
802	37017960	CHILLER RAIL ASSEMBLY SHEET/BACK
803	37018662	ABOVE CRISPER SHELF PIN 910
804	37021374	FREEZER AIR DUCT GRILLE(AC)910(ALKAZINK)
806A	42189492	REF.LED CAP GR/485 PP SPIKED/2835/UNC
808A	32032249	LED ST/2835*3/R42MM/BDL8 (U)
807	42148693	R LED OUT COVER /485(S.W) SNAP FIT
809	42148692	REF LED COVER/485 PP SNAP FIT
816	42074076	CRISPER MIDWALL GR.910 (S.W)
817	42074077	CRISPER MIDWALL 910 (S.W)
818	37035917	TELESKOPIK RAY 350 RIGHT SC
819	37035918	TELESKOPIK RAY 350 LEFT SC
822	32035507	TRIZ BAR GR.910(S.W PLS S.W SAC)
828	37026946	DOOR HANDLE SUPPORT PART 910 GLXY(SHEET)
829	42146858	DOOR HANDLE FLX CAP(CLS)
831	42074039	HINGE SOCKET HOUSING 910(S.W)
832	42081639	HINGE HOUSING COVER/910 (S.W)
833	32034619	LED ST/3528*15/9*295MM/910/KI/BDL7 (I)
833	32034620	LED STRIP/R INSIDE DOOR GR/910/ICM
834	42132624	INSIDE DOOR LED COVER 910 (MILKY) PS
835	42245230	F GLASS SHELF STOPPER RV2/910
1026	42176268	MUTUAL COMPRESSOR RUBBER
	20825575	FRONT WHEEL SCREW (37024764)
	20883439	SCREW UPP HING COV LEFT 910(35005311)FAN
	20883440	SCREW UPPER HINGE 910(37024764)FANTOM
	37009265	SCREW M YSB 5x16 C ST TT,O
	47008408	MAGNET/30X12X6/(MA)
	37009265	SCREW M YSB 5x16 C ST TT,O
	37047441	FIN EVAP/916/GROOVED LEFT
	37047444	FIN EVAP/916/GROOVED RIGHT
	32034222	VALVE.GR/AC/BI-STABLE/SANH



CAFF46GM

Caple 4 Door F/S Fridge Freezer

Item	Part Number	Description
	37040305	SCREW 3*8 YSB-F-A3K
	37035583	SCREW ST 4*14 YSB-R-F-A3K
	32047363	DB/BDD11/916/F/YL/P/EN/R5/V19-23742803
	32047458	MB/BDA10-9/916/F/R46/V48-23744693
	35001842	SCREW ST 2.9*9.5 YHB-C
	37015223	SCREW KA 40*16 YHB-C-INOX
	37016157	SCREW KA 40*9 YHB-F-INOX
	37035547	SCREW TT M5*25 YSB-F LAMELLA
	37035583	SCREW ST 4*14 YSB-R-F-A3K
	37035781	SCREW KA 40*18 YSB-C-A3K
	37038214	SCREW TT M5*16 TSB-F LAMELLA
	37048179	FIN EVAP ASS/911-916/REF/RAD
	32046480	FIN EVAP HEATER/REF/911-16/230V/10W
	37047770	FIN EVAP 911-916/GROOVED/REF/RDL
	40002315	CABLE HOLDER
	42082773	DOOR ADJUSTMENT BETWEEN APPARAT 910 SNOW
	37040305	SCREW 3*8 YSB-F-A3K
	37040305	SCREW 3*8 YSB-F-A3K
	42142300	PLS. WASHER NEW RV2
	37040305	SCREW 3*8 YSB-F-A3K
	47012527	SELF ADHESÄ°VE CAP(13MM)S. WHITE
	42233020	KROSE
	37048577	REF.AIR.DUCT.SHEET/910INX/LAZERCAPLE
	42184369	RONDELA 2,5MM WHITE
	42248121	REF.AIR DUCT RAD./ 916
	42263228	EVAPORATING TRAY/910-FR
	47020574	CHILLER GLASS SHELF AQUASAFE SRGF/910