



CAFF42

Caple French Door F/Freezer

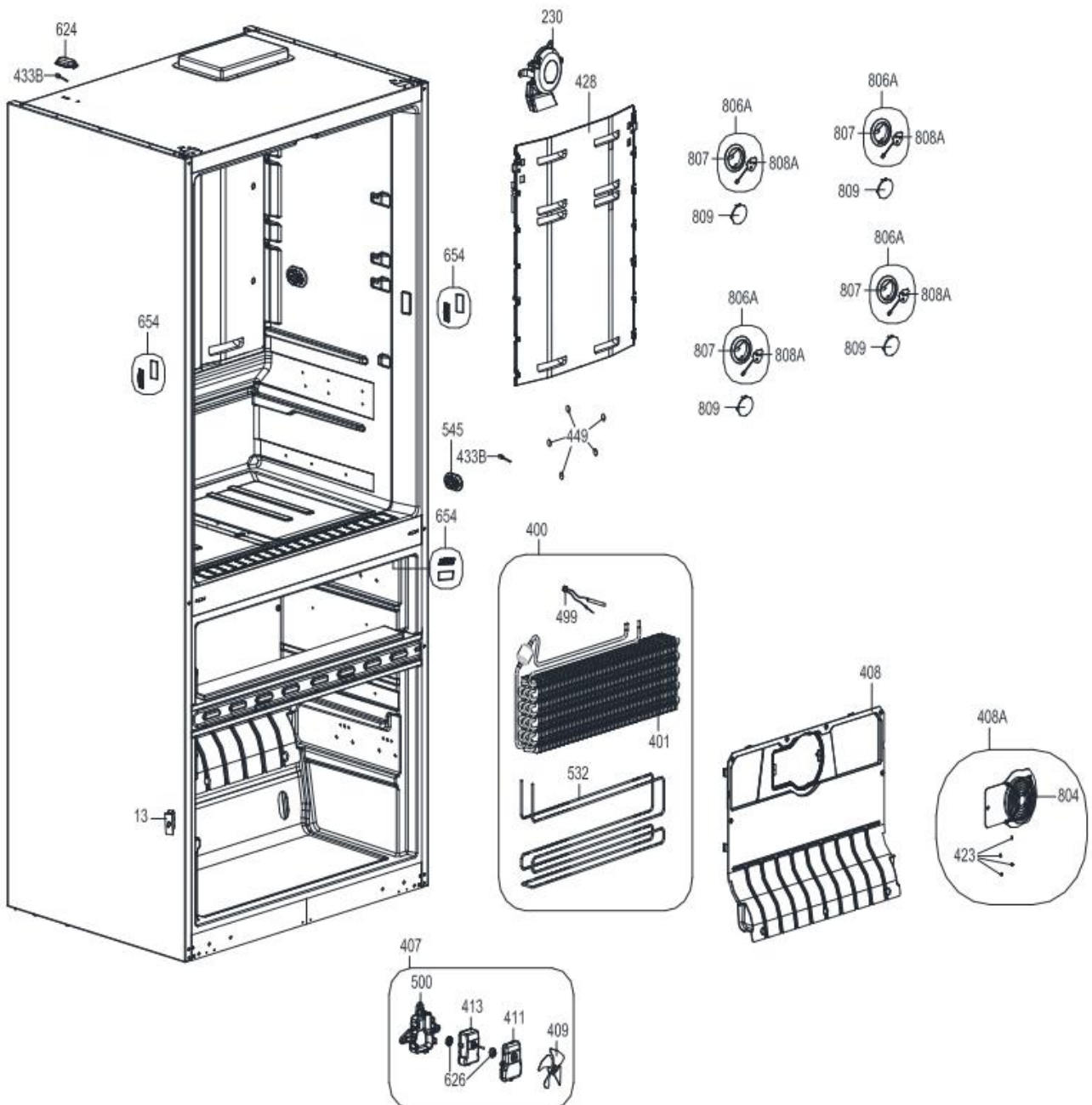


Technical Manual



CAFF42

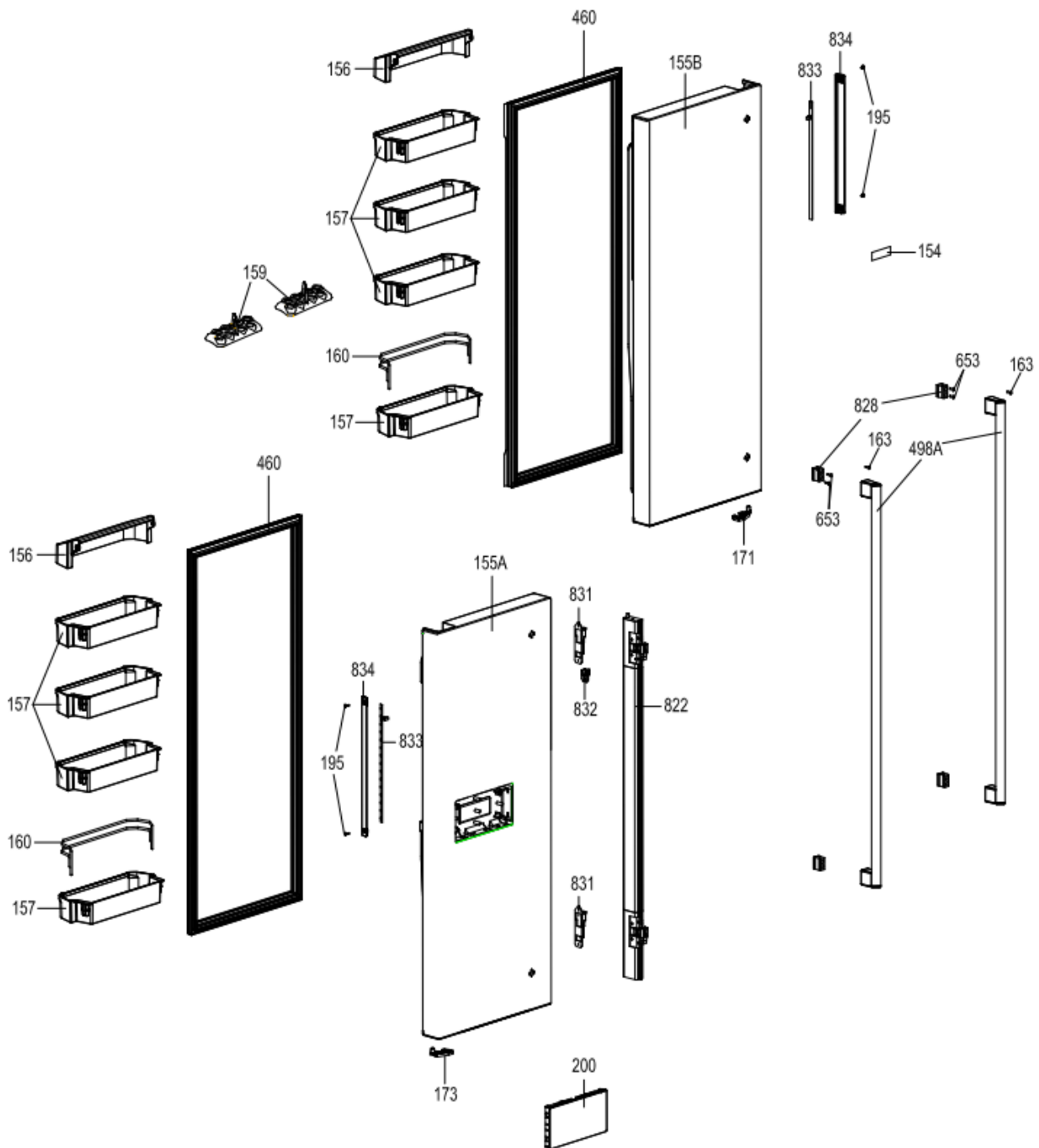
Caple French Door F/Freezer





CAFF42

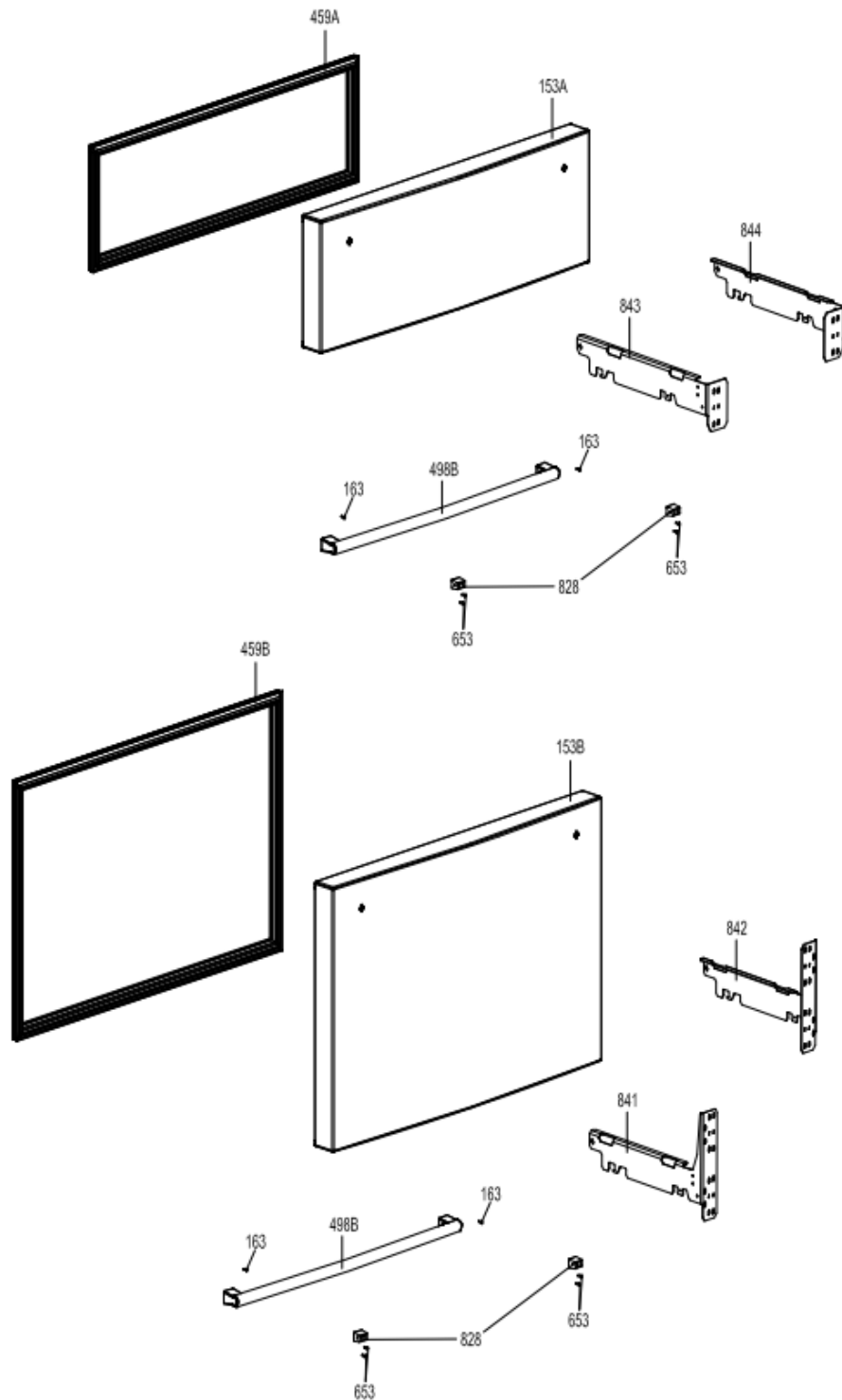
Caple French Door F/Freezer





CAFF42

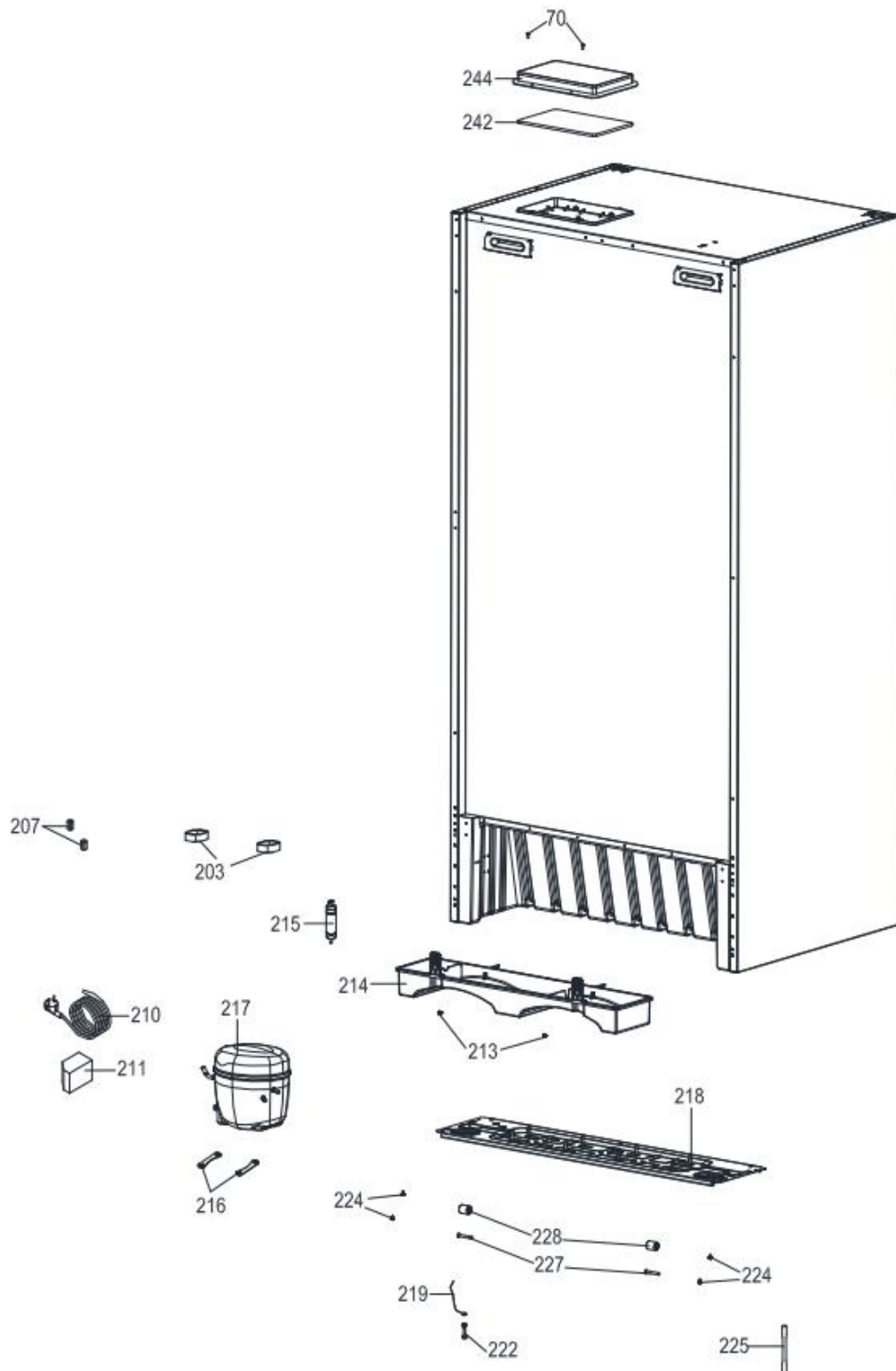
Caple French Door F/Freezer





CAFF42

Caple French Door F/Freezer





CAFF42

Caple French Door F/Freezer

Item	Part Number	Description
2A	37026056	TOP HINGE RIGHT 910 SERVICE RV2
2B	37026055	TOP HINGE LEFT 910 SERVICE RV2
5	35000717	SCREW KA 40*8 YSB-F
7	37032597	SCREW TT M5*16 YSB-F
9A	37022468	MIDDLE HINGE RIGHT 911 RV1
9B	37022469	MIDDLE HINGE LEFT 911 RV1
11	42170935	MIDDLE/HINGE SREW CAP(SMALL)VSG.GRAY
13	32023071	LAMP SWITCH/B30/NO/PIM 11MM/WHITE
15	37030486	BOTTOM HINGE/911 GR. NEW
16	47010430	ADJUSTABLE FOOT M8X35(GRAY)
18	42125774	ICE TRAY COMMON
19	47009810	F SHELF/911
25	37035783	SCREW KA 40*13 YSB-R-C-A3K
37	47015238	COOLER GLASS SHELF AQUASAFE SRGF/910 RV2
41A	42111087	CRISPER 910-RIGHT(TRANS-WH-GRAY)
41B	42111088	CRISPER 910-LEFT(TRANS-WH-GRAY)
42	37023981	CRISPER PRF SRGF/910 IX(FIRE SAC)
70	37035782	SCREW KA 40*14 YSB-C-A3K
88	42126562	TOP HINGE C./910 RIGHT(DARKGRAMATVER)RV3
88A	42126561	TOP HINGE C./910GR RIG(DARKGRAMATVER)RV3
88B	42126564	TOP HINGE C./910 LEFT(DARKGRAMATVER)RV3
91	42083110	TOP BASK.GR/911 S.W
92	42111069	MIDDLE BASKET GR/911
92B	42111083	MIDDLE BASKET/911 (TRANS-GRAY)
93	42139067	BOTTOM BASK./911
151	42073883	BUSHING TOP-910(LXG)
153A	22113372	TOP DRAWER/911-FD FLX W.HAND KGRIMAT
153B	22113373	BOTTOM DRAWER/911-FD FLX W.HAND KGRIMAT
155A	22113376	R DOOR ASSY/911-FD-FLX-LEFT KGRIMAT
155B	22113374	R DOOR ASSY/911-FD-FLX-RIGHT KGRIMAT
154	47013813	LOGO CAPLE YENI TIP-4
156	42111073	SHELF COVER/910
157	42129034	DOOR SHELF/910 GR.(TRA.-IX PRF)
157	42156823	DOOR SLF/910GR(IX PRF,WH-GRI,FIR)424CAPŞ
159	42163485	EGG HOLDER (TRANS.-NAT) RV1
160	47010425	DOOR SHELF 910
163	37012110	SCREW M4*10 YHB-F
164	42207490	BODY SCREW CAP(SNOW WHITE)
171	42151834	DOOR CATCHER RIGHT GR/910 (LXG)
173	42151832	DOOR CATCHER LEFT GR/910 (LXG)



CAFF42

Caple French Door F/Freezer

Item	Part Number	Description
195	35007969	SCREW S YSB 3.5*13 C ST SPECIAL
200	32046685	DIS.PA.GR/911/F/(SIYH)EN HOTST/NRDS/SC
205	35009792	SCREW ST 4.8*13 YSB-T-C
207	42155463	RUBBER CONDANSER MUTUAL ANTIVIBRASYON
210	32026489	POW.CRD/2.5M/UK/VCC
211	32040398	BMK110NKMV/INVERTER
213	35000743	SCREW 4.2*9.5 YSB-C
213	37022312	SCREW S YSB 4*12 C ST SPECIAL
214	42263373	EVAPORATING TRAY GR/911(NAT)FR/PK
215	37021265	DRYER(XH9,0.40MM,10GR,I.C.=3,1) SINGLE
216	20020023	COMP FIXING BRACKET
217	32040399	COMP.BMK110NKMV/VCC
218	37018198	COMP BASEMENT /910
219	32036742	EARTH WIRE(PGYB)WASHER/0,50
222	37023688	SCREW TT M4*6 YSB-T-F
224	35000728	SCREW KA 50*14 YSB-F
225	35002664	SERVICE TUBE(105*6*0,7)TYPE B
227	42157011	FRONT/BACK WHEEL PP40KA
228	37009550	REAR WHELL PIN
232	35002921	SCREW M4*10 YSB-F
242	32045624	MB/BDA10-9/911/F/R36/V40-23721169
244	42201169	MAINBOARD COV GR BD10
332A	42111078	CRISPER GR 910-RIGHT(TRANS-GRAY)
332B	42111079	CRISPER GR 910-LEFT(TRANS-GRAY)
339	42173932	CHILLER SHELF GR/910(TRANS-WH-GRI)RV2
342	42111084	CHILLER SHELF /910(TRANS-WH-GRI)
400	20881668	FIN EVAP GR/911/3/TERMAL
401	37019048	FIN EVAP ASSY/911(3 LINE+W.RESISTANCE)
407	32038538	FRE.FAN MOTOR GR/BLDC (2200rpm)
408	42083101	F MULTIFLOW GR/911 (S.W.)
408A	42142540	FREEZER AIR DUCK FRONT GR 911 RV1
409	42197175	100MM CW NATURAL ABS IMPELLER NV
410	35001893	PROPELLER SPRING
411	42031847	F FAN MOTOR COVER/590UHS(NAT)
412-626	42179530	FREEZER FAN MOTOR RUBBER 590/SILIKON
413	32016100	EVAP FAN MOTOR/2200RPM
428	42256672	REF.AIR.DUCT.GR/910 RAD 910/INXSAC\$CAPLE
431	32042948	RADIAL FAN MOTOR 100MM-1650RPM SUNON
433B	32010909	SENSOR/STANDARD/R6K/70MM/SINGLE
449	42033244	R MULTIFLOW CAP/ 640(S.W.)



CAFF42

Caple French Door F/Freezer

Item	Part Number	Description
459A	42083094	TOP DRAWER GASKET/911(VFGRI)
459B	42083098	BOTTOM DRAWER GASKET/911(VFGRI)
460	42077799	R DOOR GASKET/910(VF GRAY)
498A	42186217	D.HANDLE FLX FRML GR T-SHORT(868)CLSIX
498B	42186219	D.HANDLE FLX FRML GR BENDED(767)CLSIX
499	32028176	TERMAL FUSE SINGLE
500	42031850	F FAN MOTOR BOX
532	32019034	FIN EVAP REZS/3SIRA 170W 911
545	42053050	SENSOR COVER/566(S.W.)
588	37022711	SCREW S YPB 4.2*14 C ST
624	42163920	EMK SENSOR COVER GRAY RV
639	37014368	SCREW ST 4.2*12 OZEL8-C
642	42052437	WHEEL /GK
651	37035962	CHILLER RAIL INTERNAL 350 910 RV1
652	37035963	CHILLER RAIL INTERNAL 350 910 RV1
653	37010281	SCREEW M4*15 YSB-F
653B	42040299	STORAGE BOX RAIL DUBEL/465
654	32033892	REED/SWITCH/GR/PIC
704	42074085	CRISPER UPPER SHELF CLAMP 910 (S.W.)
710	32013579	NIGHT SENSOR
713	42111074	CRISPER-CHILLER SHELF GR/910
714	42111085	CRISPER-CHILLER SHELF BOTTOM/910
718	37023980	CHILLER PRF SRGF/910 IX(FIRE SAC)
718B	42083115	BASKET PRF/911
740	37015179	SCREW KA YSB 2.2*5 F ST
753	37035950	CRIS.RAIL OUT (RIGHT)910 RV1
754	37035961	CRIS.RAIL OUT (LEFT)910 RV1
800	42215470	TRIZ BAR CABINET GR.910(S.W.)RV2
801	37021419	CHILLER RAIL ASSEMBLY SHEET/FRONT
802	37017960	CHILLER RAIL ASSEMBLY SHEET/BACK
803	37018662	ABOVE CRISPER SHELF PIN 910
804	37024005	PROPELLER COVER/5661 RV1
806A	42189492	REF.LED CAP GR/485 PP SPIKED/2835/UNC
807	42148693	R LED OUT COVER /485(S.W) SNAP FIT
808A	32032249	LED ST/2835*3/R42MM/BDL8 (U)
809	42148692	REF LED COVER/485 PP SNAP FIT
816	42074076	CRISPER MIDWALL GR.910 (S.W)
817	42074077	CRISPER MIDWALL 910 (S.W)
818	37035917	TELESKOPIK RAY 350 RIGHT SC
819	37035918	TELESKOPIK RAY 350 LEFT SC



CAFF42

Caple French Door F/Freezer

Item	Part Number	Description
822	32035507	TRIZ BAR GR.910(S.W PLS S.W SAC)
828	37026946	DOOR HANDLE SUPPORT PART 910 GLXY(SHEET)
828	37026946	DOOR HANDLE SUPPORT PART 910 GLXY(SHEET)
829	42146858	DOOR HANDLE FLX CAP(CLS)
831	42074039	HINGE SOCKET HOUSING 910(S.W)
832	42081639	HINGE HOUSING COVER/910 (S.W)
833	32034619	LED ST/3528*15/9*295MM/910/KI/BDL7 (I)
833	32034620	LED STRIP/R INSIDE DOOR GR/910/ICM
834	42132624	INSIDE DOOR LED COVER 910 (MILKY) PS
835	47010073	KRAMAYER GEAR/911
836	37032394	BALANCE BAR 911 AL
837	37020756	F. BOTTOM RAIL/911 RIGHT (W.O. BRACKET)
838	37020757	F. BOTTOM RAIL/911 LEFT (W.O. BRACKET)
841	37023424	F INNER RAIL BOT LEFT 911(S.W.PAINT)RV1
842	37023425	F INNER RAIL BOT RIGHT 911(S.W.PAINT)RV1
843	37023423	F INNER RAIL TOP LEFT 911(S.W.PAINT)RV1
844	37023422	F INNER RAIL TOP RIGHT 911(S.W.PAINT)RV1
1026	42176268	MUTUAL COMPRESSOR RUBBER
	20883439	SCREW UPP HING COV LEFT 910(35005311)FAN
	20883440	SCREW UPPER HINGE 910(37024764)FANTOM
	47017678	GASKET G VF GREY
	47017678	GASKET G VF GREY
	47008408	MAGNET/30X12X6/(MA)
	32025877	HEATER/230V-30W/911
	32034222	VALVE.GR/AC/BI-STABLE/SANH
	37040305	SCREW 3*8 YSB-F-A3K
	37035583	SCREW ST 4*14 YSB-R-F-A3K
	32046684	DB/BDD11-4/911/F/EN/R4/V17-23737058
	35001842	SCREW ST 2.9*9.5 YHB-C
	37015223	SCREW KA 40*16 YHB-C-INOX
	37021951	SCREW ST 2.9*8 YSB-R-F-INOX
	37035547	SCREW TT M5*25 YSB-F LAMELLA
	37035583	SCREW ST 4*14 YSB-R-F-A3K
	37035781	SCREW KA 40*18 YSB-C-A3K
	37038214	SCREW TT M5*16 TSB-F LAMELLA
	37038402	COMP BASEMENT/910
	37039459	TELESKOPIC RAIL 350 RIGHT SC NO SOFT
	37039460	TELESKOPIC RAIL 350 LEFT SC NO SOFT
	37048179	FIN EVAP ASS/911-916/REF/RAD
	32046480	FIN EVAP HEATER/REF/911-16/230V/10W



CAFF42

Caple French Door F/Freezer

Item	Part Number	Description
	37047770	FIN EVAP 911-916/GROOVED/REF/RDL
	40002315	CABLE HOLDER
	42082773	DOOR ADJUSTMENT BETWEEN APPARAT 910 SNOW
	37020593	SCREW 50*10 YSB-F
	37040305	SCREW 3*8 YSB-F-A3K
	47012527	SELF ADHESÄ°VE CAP(13MM)S. WHITE
	37040305	SCREW 3*8 YSB-F-A3K
	37040305	SCREW 3*8 YSB-F-A3K
	42233020	KROSE
	37023982	DOOR SHELF PRF/910 IX SAC
	42142300	PLS. WASHER NEW RV2
	37023982	DOOR SHELF PRF/910 IX SAC
	37040305	SCREW 3*8 YSB-F-A3K
	47012527	SELF ADHESÄ°VE CAP(13MM)S. WHITE
	42208114	KICK PLATE/911 MATVER RV1
	42219233	FRE.AIR.DUCT.&COVER.GR/911(WHT)
	37048577	REF.AIR.DUCT.SHEET/910INX/LAZERCAPLE
	42184369	RONDELA 2,5MM WHITE
	42248121	REF.AIR DUCT RAD./ 916
	42263228	EVAPORATING TRAY/910-FR
	47020574	CHILLER GLASS SHELF AQUASAFE SRGF/910