



RFF730

Caple 70/30 Freestanding Fridge Freezer

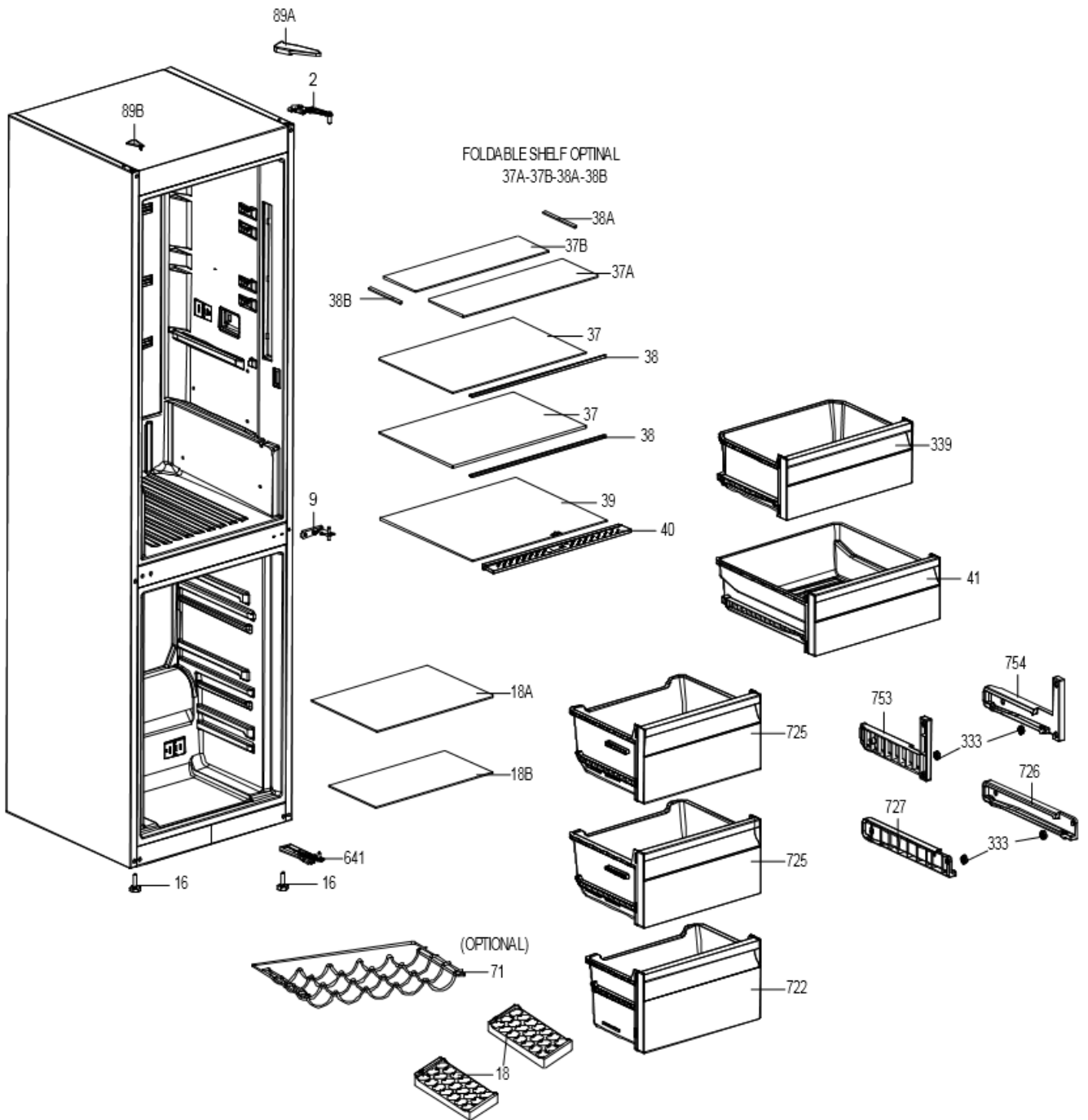


Technical Manual



RFF730

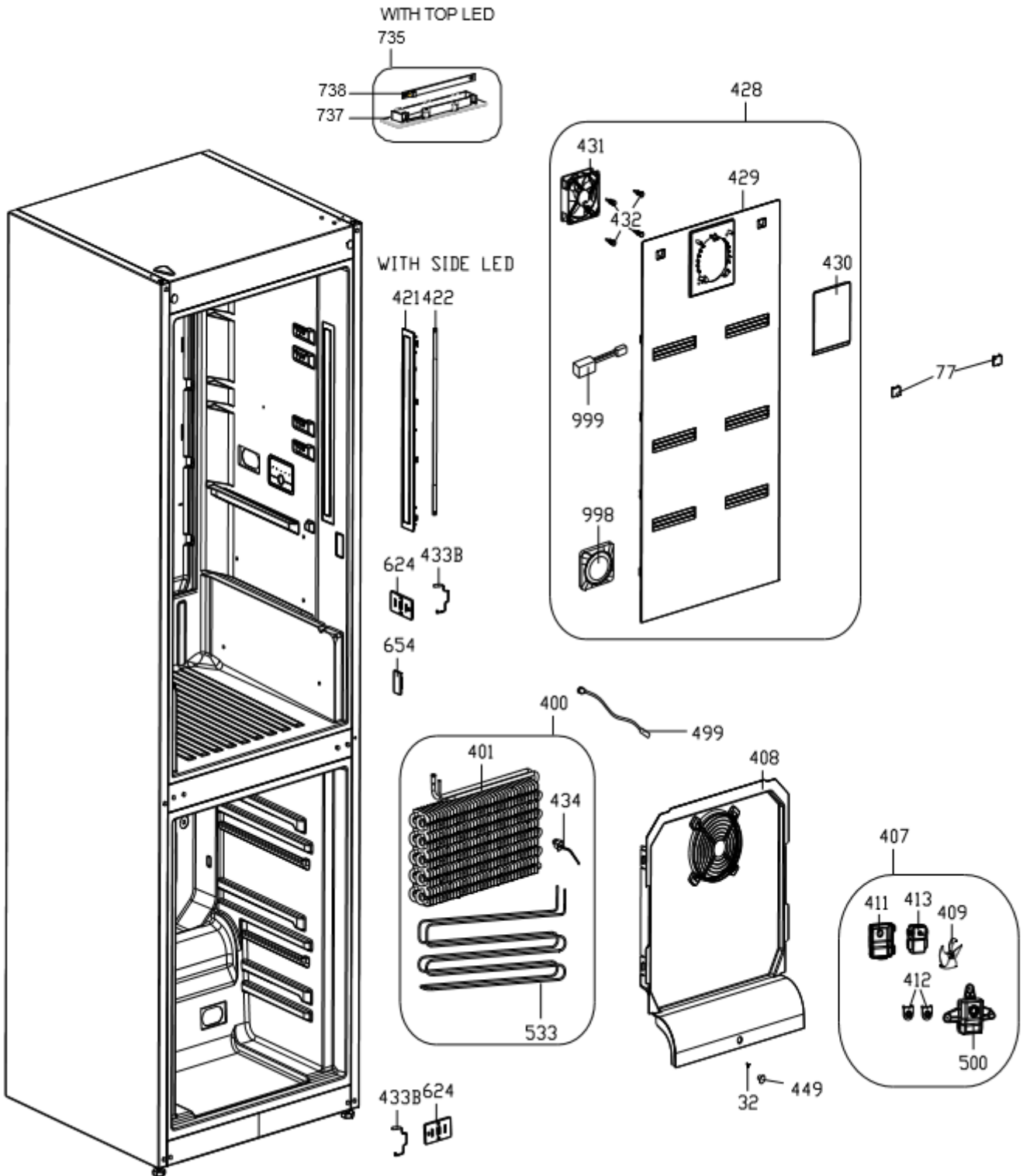
Caple 70/30 Freestanding Fridge Freezer





RFF730

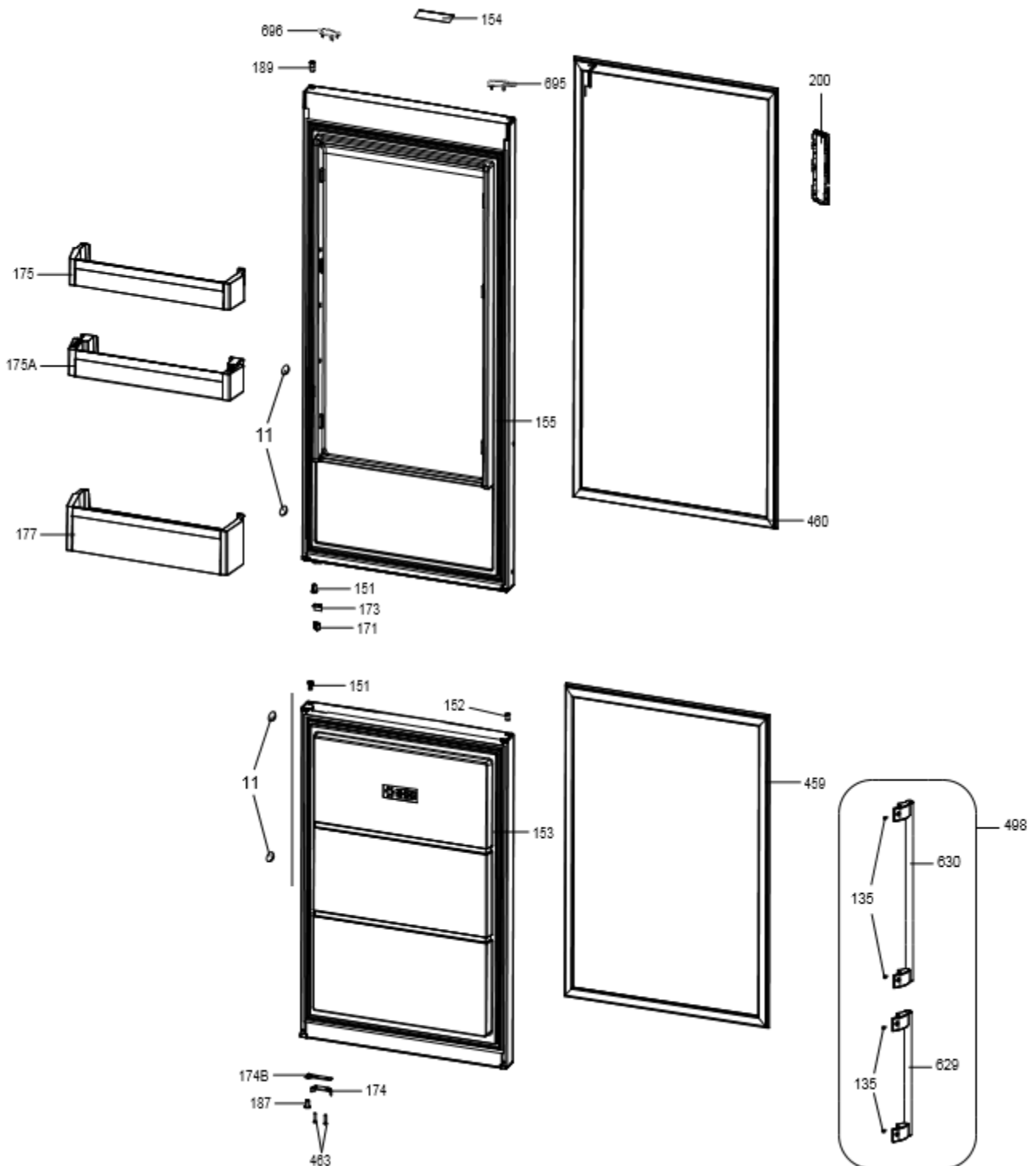
Caple 70/30 Freestanding Fridge Freezer





RFF730

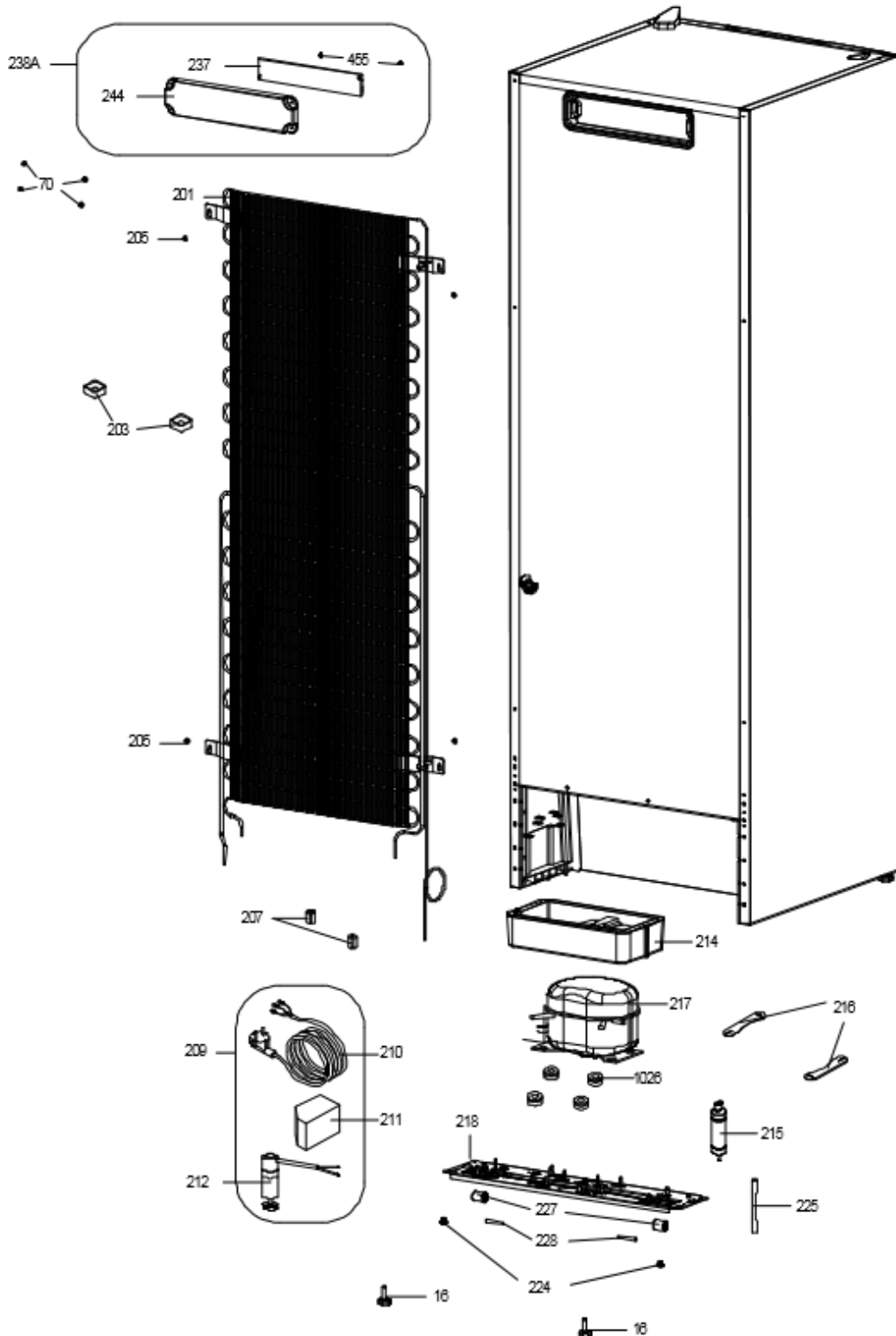
Caple 70/30 Freestanding Fridge Freezer





RFF730

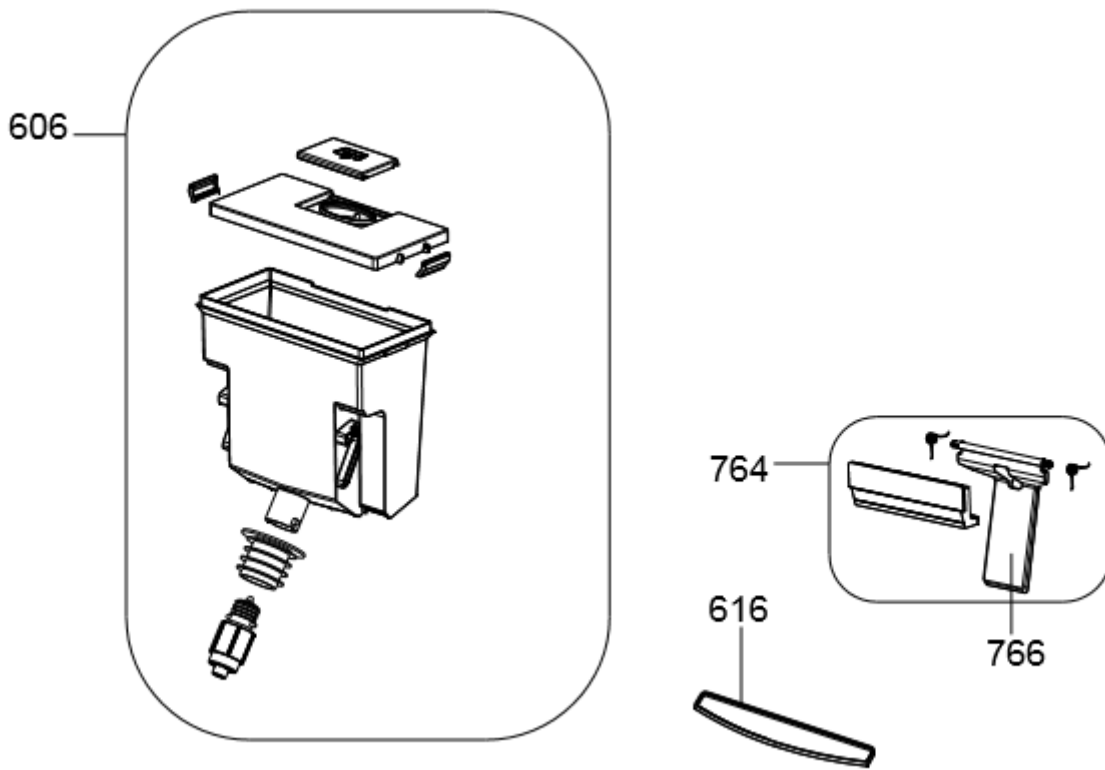
Caple 70/30 Freestanding Fridge Freezer





RFF730

Caple 70/30 Freestanding Fridge Freezer





RFF730

Caple 70/30 Freestanding Fridge Freezer

Item	Part Number	Description
2	37030065	TOP HINGE ELC 2451-E RV1
7	37024764	SCREW TT M5*16 YSB-F
9	37023956	HINGE MIDDLE GR/473
11	42004820	MIDDLE/HINGE SREW CAP(SMALL)BND.GRAY
12	42032778	MIDDLE HINGE SREW CAP(BIG)S.W.(NEW)
16	47010430	ADJUSTABLE FOOT M8X35(GRAY)
18	42125774	ICE TRAY COMMON
18A	47015404	F SHELF TOP(3,2)373 RV1
18B	47015407	F SHELF BOTTOM(3,2)373 RV1
25	35003482	SCREW 40*13 YSB-R-C-INOX
32	35000744	SCREW KA 40*18 YSB-C-INOX
37	47015403	R GLASS SHELF(3,2)373
38	42139621	R.GLASS SHELF PRF/366(EXT)HOT 492
39	47013968	CRISPER GLASS SHELF/373 (SLIDER) RV1
40	42145686	CRISPER FLAP GR/373(432C \$)HUMC
41	42152871	CRISPER GR/373(TRANS-GRAY)SRGF
41	42152451	CRISPER/373(TRANS-WH.GRAY)PARTNER SR
70	35001678	SCREW KA 40*14 YSB-R-F-INOX
71	47013626	WINE SHELF 373 (ZINC)
77	42136559	HEAD PANEL CAP/2451S(S.W.)
89A	42138794	HINGE COVER 2451(BND PAINTED)
89B	42144754	HINGE CAP 2451 (BND PAINTED) RV1
131	35001721	SCREW KA 40*14 YSB-C-INOX
135	35004932	SCREW ST 4.2*13 OZEL12-C
151	42128087	BUSHING/345P(GREY) RV1
152	42182265	NOTCHED BUSHING CAP(GREY)
153	20909349	F DOOR ASSY/373/HRF-VEGA(IFIX-BND)
154	47013813	LOGO CAPLE YENI TIP-4
155	20909348	R DOOR ASSY/373E-VEGA-IMD(IFIX-BND)
159	42163485	EGG HOLDER (TRANS.-NAT) RV1
163	37012110	SCREW M4*10 YHB-F
164	42064937	DOOR HANDLE SCREW CAP(BND.GRAY)
164	42138818	DOOR HANDLE VMK CAP(BND)
171	42153756	STOPPER REINFORCEMENT PLS. 373 GREY
173	37024182	DOOR CATCHER STOPPER/473
174	37014382	BOTTOM STOPPER/HC
174B	37024183	BOTTOM STOPPER REINFORCEMENT 473



RFF730

Caple 70/30 Freestanding Fridge Freezer

Item	Part Number	Description
175	42150252	CHEESE/BUT.SHELF/373(TRANS-GRAY)FLM
175	42150243	CHEESE/BUT.SHELF/373(TRANS-GRAY)
175	42155318	CHEESE/BUTTER-SHELFGR(TRA.W.GRAY)CAPLESR
175	42155546	CHEESE/BUT.SHELF/373(TRAN-GRAY)SRGF
177	42150253	BOT.SHLF/373(TRANS-GRAY)FLM
177	42150244	BOT.SHLF/373(TRANS-GRAY)
187	42001533	BUSHING/345CE(GRAY)
189	42002868	BUSHING/540CE(GRAY)
200	32031734	DISP.PAN.GR./IMD/FFCOMBI(BRUSH)/V30
201	37020482	MAIN CONDANSER/345((D50-IR)
203	42118033	SPACER(NAT)
205	35009792	SCREW ST 4.8*13 YSB-T-C
207	42155463	RUBBER CONDANSER MUTUAL ANTIVIBRASYON
208	40017915	CONDANSER HOLDER(2)
210	32007439	POWER CORD(2.5m-ENG)
211	32030940	OVER L.GR.LC100CY1/B60-105/TYQZ-303
212	32007063	CAPACITOR 4UF/400V P2
214	42115789	EVAPORATING TRAY/ ACC/JÄ°AX
215	37021426	DRYER(XH9,0,40MM,10GR,I.C.=2.1)
216	20020023	COMP FIXING BRACKET
217	32030939	COMP.LC100CY1/4MF/B60-105/TYQZ-303/DONP
218	20020108	COMP BASEMENT/345
219	32027294	EARTH WIRE/WASHER
222	37023688	SCREW TT M4*6 YSB-T-F
224	35000728	SCREW KA 50*14 YSB-F
225	35002664	SERVICE TUBE(105*6*0,7)TYPE B
226	35000752	DRYER VACUUM TUBE
227	42157011	FRONT/BACK WHEEL PP40KA
228	35000738	REAR WHELL PIN
237	32030346	MB/BDA02/353EA++/R0/V29.35-23383697
238A	42157870	MAINBOARD COVER GR 353E-A++/V0/BD02-6
244	42097507	MAINBOARD COVER 3663E/V0
333	42033005	CRISPER ROLLER/540(S.W.)
339	42152870	CHILLER GR/373(TRANS-GRAY)SRGF
339	42152450	CHILLER/373(TRANS-WH.GRAY)PARTNER SR
400	20889220	FIN EVAP.ASSY/373



RFF730

Caple 70/30 Freestanding Fridge Freezer

Item	Part Number	Description
401	37026499	FIN EVAPORATOR/373
407	20853890	F FAN MOTOR GR/463(MULTI SOKET)
408	32028744	F MULTIFLOW GR/373(S.W.)
409	42146100	FAN PROPELLER 120MM CCW /473
410	35001893	PROPELLER SPRING
411	42008922	F FAN MOTOR COVER/370
412	42118605	MOTOR ABSORBER/7W
413	32026854	FREEZER FAN MOTOR / AC 463
428	42162936	R MULTI FLOW GR/373(S.W)ING SRGF NFMC MI
429	42145608	R MULTI FLOW /373(S.W.) VR1
430	42162600	COOLING FAN COVER
431	32028873	TUR.FANMO.DC(92*92*25)09225SS-12K-F(NMB
432	47011757	MOTOR FAN KAU.916-NEW
433B	32010909	SENSOR/STANDARD/R6K/70MM/SINGLE
434	30014912	SENSOR/STANDARD/R6K/200MM/SINGLE
449	42033244	R MULTIFLOW CAP/ 640(S.W.)
455	37000156	SCREW KA 30*6 YSB-F
459	42155748	B/D GASKET 373-383-374 DETACH-I (SW)
460	42155744	T/D GASKET 373-374 DETACH-I (SW)
498	42145376	HANDLE VEGA PACKAGE(220-370)BND/IX
499	32027624	TERMAL FUSE DOUBLE
500	42025485	F FAN MOTOR BOX/370(NEW)
510	37003078	SCREW M,YHB,5x14,F,ST,A3K,TT
533	32028762	FIN EVAP HEATER/373/230V/124W
624	42154365	SENSOR COVER 473 (S.W.)RV1
629	42159531	HANDLE VEGA 220 GR (BND/IX)
630	42159532	HANDLE VEGA 370 GR (BND/IX)
641	37013686	SCREW KA 40*18 YSB-R-C-INOX
641	37026810	BOTTOM HINGE GR/373
643	20821865	BOTTOM HINGE SCREW/HC GR(37014537)
643	37014537	SCREW TT M5*25 YSB-F
654	22033972	REED SWITCH GR/590UHS(WHITE) RV1
695	42149635	R/D PANEL COVER 373-RIGHT(BND GRAY)
696	42149638	R/D PANEL COVER 373-LEFT(BND GRAY)
722	42150254	BOTTOM BASKET GR./373(TRNS-GRAY)FLM
725	42150255	TOP BASKET GR./373(TRANS GRAY)FLM



RFF730

Caple 70/30 Freestanding Fridge Freezer

Item	Part Number	Description
725	42150247	TOP BASKET GR./373(TRANS.GRAY)
726	42161622	CRISPER RAIL RIGHT/373 RV1
727	42161623	CRISPER RAIL LEFT/373 RV1
735	42146315	LED COVER GR/319
737	42146314	LED COVER/319
738	32028881	LED STRIP/2835*6/8*129MM/12V/373
753	42185269	CHILLER RAIL LEFT/373 RV1
754	42185270	CHILLER RAIL RIGHT/373 RV1
1026	42018611	COMPRESSOR RUBBER
P104	50019299	PAD CORNER FRONT/455(CARTOON)
P105	50019300	PAD CORNER BACK(CARTON)

Caple RFF730 70/30 Freestanding Fridge Freezer

