



Free standing fridge freezer instruction manual

RFF730



Contact Caple on 0117 938 7420 or for spare parts www.caple.co.uk





CONTENTS

General Warnings	3
Safety Warnings	8
Installing And Operating Your Fridge	9
Before Using Your Fridge	10
Frost Free Technology	10
Parts Of The Appliance	11
Functions And Settings	12
Cleaning And Maintenance	21
Refrigerator Compartment	22
Freezer Compartment	23
Storing Frozen Food	25
Transportation And Repositioning	28
Troubleshooting	29
Energy Saving Tips	33
Caple Contact Details	36

Please keep this instruction manual for future reference



GENERAL WARNINGS

WARNING:

- Keep ventilation openings in the appliance enclosure or in the built-in structure, clear of obstruction.

WARNING:

- Do not use mechanical devices or other means to accelerate the defrosting process, other than those recommended by the manufacturer.

WARNING:

- Do not use electrical appliances inside the food storage compartments of the appliance, unless they are of the type recommended by the manufacturer.

WARNING:

- Do not damage the refrigerant circuit.

WARNING:

- To avoid a hazard due to the instability of the appliance, it must be fixed in accordance with the instructions.

Please keep this instruction manual for future reference

Instruction manual RFF730 3





WARNING:

- If your appliance uses R600a as a refrigerant (you can learn this information from the rating label on the appliance) you should be careful during transport and installation to prevent your appliance's cooler elements from being damaged. Although R600a is an environmentally friendly and natural gas. As it is explosive, in the event of a leak due to damage to the cooler elements, move your fridge from open flames or heat sources and ventilate the room where the appliance is located for a few minutes.
- While carrying and positioning the fridge, do not damage the cooler gas circuit.
- Do not store explosive substances such as aerosol cans with a flammable propellant in this appliance.
- This product is not designed for commercial use, it is a household appliance only. It is not intended to be used in:
 - Staff kitchen areas in shops, offices and other working environments.
 - Bed and breakfast type environments.
 - By clients in hotels, motels and other residential type environments.
- If the socket does not match the refrigerator plug, it must be replaced by the manufacturer, its service agent or similarly qualified persons in order to avoid a hazard.

Please keep this instruction manual for future reference





- A specially grounded plug has been connected to the power cable of your refrigerator. This plug should be used with a specially grounded socket of 13amp. If there is no such socket in your house, please have it installed by an authorised electrician.
- This appliance can be used by children aged from 8 years and above and persons with reduced physical, sensory or mental capabilities or lack of experience and knowledge if they have been given supervision or instruction concerning use of the appliance in a safe way and understand the hazard involved. Children shall not play with the appliance. Cleaning and user maintenance, shall not be made by children without supervision.
- If the supply cord is damaged, it must be replaced by a Cable approved engineer or similar qualified persons in order to avoid a hazard.
- This appliance is not intended for use at altitudes exceeding 2000 m.
- When positioning the appliance, ensure the supply cord is not trapped or damaged.
- Do not locate multiple portable socket-outlets or portable power supplies at the rear of the appliance.
- Do not use plug adapter.



Symbol ISO 7010 W021

Warning; Risk of fire / flammable materials

Please keep this instruction manual for future reference

Instruction manual RFF730 5





ENVIRONMENTAL PROTECTION

Waste electrical products should not be disposed of with household waste. Please recycle where facilities exist. Check with your Local Authority or retailer for recycling advice. This appliance is marked according to the European directive 2002/96/EC on Waste Electrical and Electronic Equipment (WEEE).

By ensuring this product is disposed of correctly, you will help prevent potential negative consequences for the environment and human health, which could otherwise be caused by inappropriate waste handling of this product. The symbol on the product indicates that this product may not be treated as household waste. Instead it shall be handed over to the applicable collection point for the recycling of electrical and electronic equipment. Disposal must be carried out in accordance with local environmental regulations for waste disposal.

For more detailed information about treatment, recovery and recycling of this product, please contact your local council, your household waste disposal service or the retailer where you purchased the product.

CE DECLARATIONS OF CONFORMITY

This appliance has been manufactured to the strictest standards and complies with all applicable legislation, Low Voltage Directive (LVD) and Electromagnetic Compatibility (EMC).

Please keep this instruction manual for future reference





OLD AND OUT-OF-ORDER FRIDGES

- If your old fridge has a lock, break or remove the lock before discarding it, because children may get trapped inside it and may cause an accident.
- Old fridges and freezers contain isolation material and refrigerant with CFC. Therefore, take care not to harm environment when you are discarding your old fridge.

NOTES:

- Please read the instruction manual carefully before installing and using your appliance. Caple cannot be held responsible for the damage occurred due to misuse.
- Follow all instructions on your appliance and instruction manual, and keep this manual in a safe place to resolve the problems that may occur in the future.
- This appliance is produced to be used in homes and it can only be used in domestic environments and for the specified purposes. It is not suitable for commercial or common use. Such use will cause the guarantee of the appliance to be cancelled and Caple will not be responsible for the losses to be occurred.

Please keep this instruction manual for future reference

Instruction manual RFF730 7



SAFETY WARNINGS

- Do not use multiple receptacles or extension cord.
- Do not plug in damaged, torn or old plugs.
- Do not pull, bend or damage the cord.
- This appliance is designed for use by adults, do not allow children to play with the appliance or let them hang off the door.
- Do not plug-in or pull out the plug from the receptacle with wet hands to prevent electrocution!
- Do not place glass bottles or beverage cans in the freezer department. Bottles or cans may explode.
- Do not place explosive or flammable material in your fridge for your safety. Place drinks with higher alcohol amount vertically and by closing their necks tightly in the fridge department.
- When taking ice made in the freezer department, do not touch it with bare hands, ice may cause ice burns and/or cuts.
- Do not touch frozen goods with wet hands! Do not eat icecream and ice cubes immediately after you have taken them out of the freezer department!
- Do not re-freeze frozen goods after they have melted. This may cause health issues like food poisoning.
- Do not cover the body or top of fridge with lace. This affects the performance of your fridge.
- Fix the accessories in the fridge during transportation to prevent damage to accessories.

Please keep this instruction manual for future reference

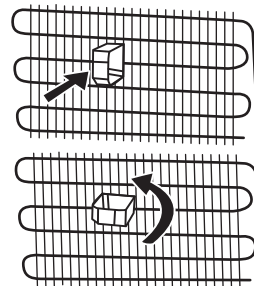




INSTALLING AND OPERATING YOUR FRIDGE

Before starting to use your fridge, you should pay attention to the following points:

- Operating voltage for your fridge is 220-240 V at 50Hz.
- Mains cord of your fridge has a grounded plug. This plug should be used with a grounded receptacle that has a 13 ampere fuse minimum. If you don't have a receptacle confirming with this, please have it done by a qualified electrician.
- Caple do not take the responsibility for damages that occur due to ungrounded usage.
- Place your fridge in a place that would not be exposed to direct sunlight.
- Your appliance should be at least 50 cm away from hobs, Gas ovens and heater cores, and should be at least 5 cm away from electrical ovens.
- Your fridge should never be used outdoors or left under the rain.
- When your fridge is placed next to a deep freezer, there should be at least 2 cm between them to prevent humidity on the outer surface.
- Do not place anything on your fridge, and install your fridge in a suitable place so that at least 15 cm is available on the upper side.
- The adjustable front legs should be stabilized at an appropriate height to allow your fridge to operate in a stable and proper way. You can adjust the legs by turning them clockwise (or in the opposite direction). This should be done before placing food in the fridge.
- Before using your fridge, wipe all parts with warm water added with a tea spoonful of sodium bicarbonate, and then rinse with clean water and dry. Replace all parts after cleaning.
- Install the distance adjustment plastic (the part with black vanes at the rear) by turning it 90° as shown in the figure to prevent the condenser from touching the wall.
- Refrigerator should be placed against a wall with a free distance not exceeding 75 mm.



Please keep this instruction manual for future reference





BEFORE USING YOUR FRIDGE

- When it is operated for the first time or after transportation, keep your fridge in the upright position for 12 hours and plug it in to allow efficient operation. Otherwise, you may damage the compressor.
- Your fridge may have a smell when it is operated for the first time; This is normal and the smell will fade away when your fridge starts to cool.

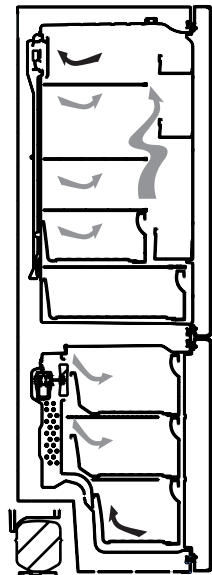
FROST FREE TECHNOLOGY

Fridges with Frost free technology have a different working system than static fridges. In normal fridges, humid air that enters into the fridge and the water vapor that comes out from the foods, accumulates frost formation in the freezer compartment. In order to melt this frost, in other words defrost, the fridge has to be stopped. During the stopping period, to keep the foods cold, the user must remove all foods from the fridge and then clear all the ice during this period.

In the fridges with frost free technology, the situation in the freezer compartment is completely different. With the aid of the fan, cold and dry air is blown out through many points into the freezer compartment. As a result of the blown cold air, even in the spaces between shelves, foods are frozen equally and correctly. On the other hand there will also be no frost formation.

In the refrigerator compartment, there will be nearly the same configuration as the freezer compartment. Air, that is emitted with the fan, located at the top of refrigerator compartment, is cooled while passing through the gap behind the air duct. At the same time, air is blown out through the holes on the air duct so that the cooling process is successfully completed in the refrigerator compartment. Holes on the air duct are designed such that the air distribution becomes homogeneous in this compartment.

As there is no air passage between freezer and refrigerator compartment, there will be no odor mixing. As a result of this, your fridge with new cooling technology, gives you ease of use as well as the huge volume and aesthetic appearance.

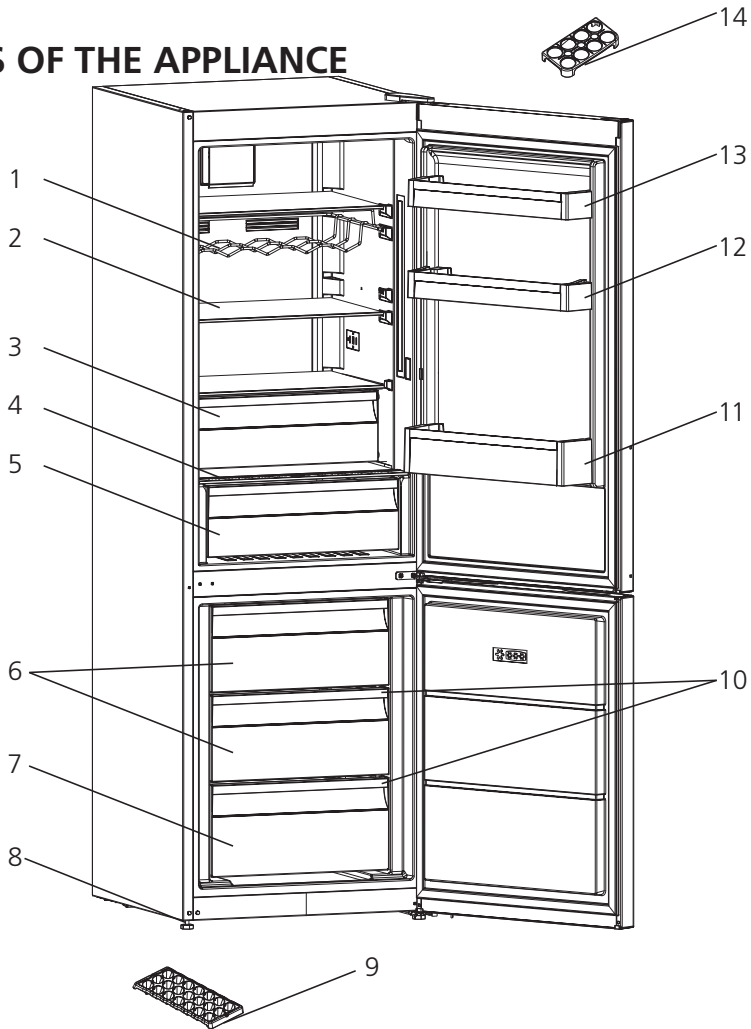


Please keep this instruction manual for future reference





PARTS OF THE APPLIANCE



- | | | |
|-------------------|------------------------------|------------------|
| 1. Wine rack | 6. Freezer top-middle basket | 11. Bottle shelf |
| 2. Fridge shelves | 7. Freezer bottom basket | 12. Door shelf |
| 3. Chiller | 8. Leveling feet | 13. Door shelf |
| 4. Crisper cover | 9. Ice tray | 14. Egg holder |
| 5. Crisper | 10. Freezer glass shelves | |

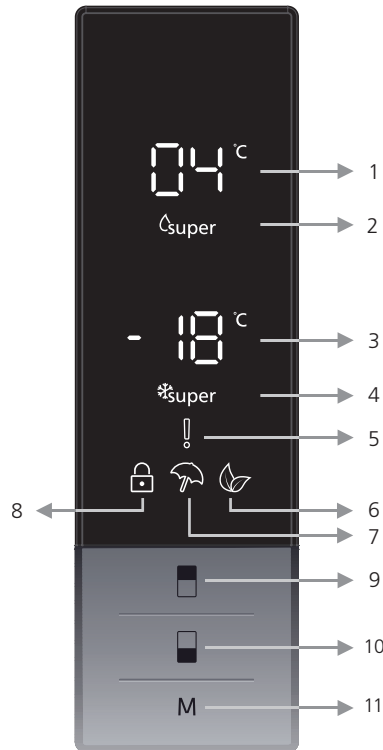
Please keep this instruction manual for future reference

Instruction manual RFF730 11





FUNCTIONS AND SETTINGS



- 1. Fridge temperature value screen.
- 2. Super cooling indicator.
- 3. Freezer temperature value screen.

- 4. Super freeze indicator.
- 5. Warning / alarm symbol.
- 6. Eco mode symbol.
- 7. Holiday mode symbol.

- 8. Child-lock symbol.
- 9. Fridge set button.
- 10. Freezer set button.
- 11. Mode button.

Please keep this instruction manual for future reference





OPERATING YOUR FRIDGE



Super freeze mode

How to use:

- Press the freezer set button until the Super freeze symbol can be seen on the screen. The buzzer will sound. Mode will be set.

During this mode:

- Temperature of cooler and super cool mode may be adjusted. In this case super freeze mode continues.
- Economy and Holiday mode can not be selected.
- Super freeze mode can be cancelled by the same operation of selecting.



Super cool mode

How to use:

- Press the Fridge set button until Super cool symbol can be seen on the screen. The buzzer will sound. Mode will be set.

During this mode:

- Temperature of freezer and super freeze mode may be adjusted. In this case super cool mode continues.
- Economy and Holiday mode can not be selected.
- Super cool mode can be cancelled by the same operation of selecting.



Economy mode

How to use:

- Push the "mode button" until the 'eco' symbol appears.
- Eco symbol will blink 3 times. When mode is set, the buzzer will sound.
- Freezer and refrigerator temperature segments will show "E".
- Economy symbol and E will light till mode finishes.

Please keep this instruction manual for future reference





During this mode:

- Freezer may be adjusted. When economy mode is cancelled, the selected setting values will proceed.
- Fridge may be adjusted. When economy mode is cancelled, the selected setting values will proceed.
- Super cool and super freeze modes can be selected. Economy mode is automatically cancelled and the selected mode is activated.
- Holiday mode can be selected after canceling the economy mode. Then the selected mode is activated.
- To cancel, you will just need to press on mode button.

Holiday mode

How to use:

- Push "mode button" until holiday symbol appears
- Holiday symbol will blink 3 times. When mode is set, the buzzer will sound.
- Fridge temperature segment will show "--".
- Holiday symbol and "--" will light till mode finishes.

During this mode:

- Freezer may be adjusted. When holiday mode is cancelled, the selected setting values will proceed.
- Fridge may be adjusted. When holiday mode is cancelled, the selected setting values will proceed.
- Super cool and super freeze modes can be selected. Holiday mode is automatically cancelled and the selected mode is activated.
- Economy mode can be selected after cancelling the holiday mode. Then the selected mode is activated.
- To cancel, you will just need to press on mode button.



Please keep this instruction manual for future reference





Drink cool mode

When would it be used?

- This mode is used to cool the drinks within an adjustable time. After the selected period of time an alarm will sound.

How to use:

- Press and hold freezer button for 3 seconds.
- Special animation will show on the freezer set value screen and '05' will blink on cooler set value screen.
- Press the cooler button to adjust the time (05 - 10 - 15 - 20 -25 - 30 minutes).
- When you select the time the numbers will blink 3 times on screen and a beep will sound.
- If no button is pressed within 2 seconds the time will be set.
- The countdown starts from the adjusted time minute by minute.
- Remaining time will blink on the screen.
- To cancel this mode press the freezer set button for 3 seconds.

Screen saver mode

How to use:



- This mode will be activated when you press on the Mode button for 5 seconds.
- If no button is pressed within 5 seconds when the mode is active, lights of the control panel will go off.
- If you press any button when lights of control panel are off, the current settings will appear on the screen, and then you can make the adjustment as you want. If you neither cancel screen saver mode nor press on any button in 5 seconds, the control panel will go off again.
- To cancel screen saver mode press on the Mode button for 5 seconds again.
- When screen saver mode is active you can also activate child lock.
- If no button is pressed within 5 seconds after child lock is activated, the lights of the control panel will turn off. You can see latest status of settings or modes after you press any button. While the control panels light is on, you can cancel child lock as described in the instruction for this mode.

Please keep this instruction manual for future reference



Fridge temperature settings



- Initial temperature value for Fridge Setting Indicator is +4 °C.
- Press the Fridge button once.
- When you first push this button, the last value appears on the setting indicator of the fridge.
- Whenever you press on this button, lower temperature will be set. (+8°C, +6°C, +5°C, +4°C, +2°C, supercool)
- When you push the Fridge set button until supercool symbol appears, and if you do not push any button in 1 seconds Super Cool will flash.
- If you continue to press, it will restart from +8°C.
- The temperature value selected before Holiday Mode, Super Freeze Mode, Super Cool Mode or Economy Mode is activated will remain the same when the mode is over or cancelled. The appliance continues to operate with this temperature value.

Freezer temperature settings



- Initial temperature value for Freezer Setting Indicator is -18°C.
- Press the Freezer set button once.
- When you first push this button, the last set value will blink on screen.
- Whenever you press on this button, lower temperature will be set (-16°C, -18°C, -20°C, -22°C, -24°C superfreeze).
- When you push the freezer set button until superfreeze symbol appears, and if you do not push any button in 1 seconds Super Freeze will flash.
- If you continue to press, it will restart from -16°C.
- The temperature value selected before Holiday Mode, Super Freeze Mode, Super Cool Mode or Economy Mode is activated will remain the same when the mode is over or cancelled. The appliance continues to operate with this temperature value.

Please keep this instruction manual for future reference





Light cancelling mode

When would it be used?

- If you want to cancel the fridge lights, you can select this mode.
- While pushing the freezer and mode buttons, open and close cooler door 3 times. The mode will be selected in this way. From now on, the lights will not come on when the function is not cancelled by the same way.
- If you want to cancel this mode, repeat the same process or the mode will automatically cancel itself after 24 hours.

Child lock

When would it be used?



- To prevent children from playing with the buttons and changing the settings you have made, child lock is available on the appliance.

Activating Child Lock

- Press on the Fridge and Freezer buttons simultaneously for 5 seconds.

Deactivating Child Lock

- Press on Fridge and Freezer buttons simultaneously for 5 seconds.

NOTE:

Child lock will also be deactivated if electricity is interrupted or the Fridge freezer is unplugged.

Please keep this instruction manual for future reference

Instruction manual RFF730 17



WARNINGS ABOUT TEMPERATURE ADJUSTMENTS

- Your temperature adjustments will not be deleted when an energy breakdown occurs.
- Temperature adjustments should be made according to the frequency of door openings and the quantity of food kept inside the fridge.
- Do not pass to another adjustment before completing an adjustment.
- Your fridge should be operated up to 24 hours according to the ambient temperature without interruption after being plugged in to be completely cooled. Do not open doors of your fridge frequently and do not place much food inside it in this period.
- A 5 minute delaying function is applied to prevent damage to the compressor of your fridge, when you take the plug off and then plug it on again to operate it or when an energy breakdown occurs. Your fridge will start to operate normally after 5 minutes.
- Your fridge is designed to operate in the ambient temperature intervals stated in the standards, according to the climate class stated in the information label. We do not recommend operating your fridge out of stated temperatures value limits in terms of cooling effectiveness.
- This appliance is designed for use at an ambient temperature within the 10°C - 43°C range.

CLIMATE CLASS	AMBIENT TEMPERATURE °C
T	Between 16 and 43 (°C)
ST	Between 16 and 38 (°C)
N	Between 16 and 32 (°C)
SN	Between 10 and 32 (°C)

Please keep this instruction manual for future reference





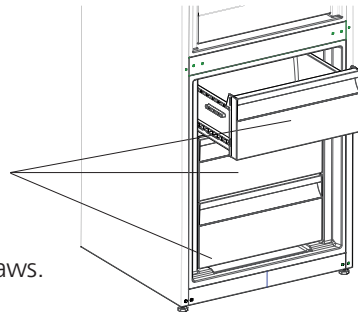
FREEZER DRAWS

The freezer draws allows foods to be stored more conveniently.

Removing the freezer draws;

- Pull the draw out as far as possible
- Pull the front of the draw up and out. Reverse these instruction to reinsert the freezer draws.

Freezer draws



NOTE:

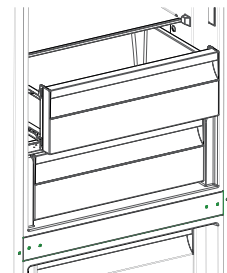
Always keep hold of the handle while removing the draws.

FRIDGE DRAWS (CRISPERS)

Keeping food in the fridge draw compartment instead of the freezer or refrigerator compartment allows food to retain its freshness and flavour for longer, while preserving its fresh appearance. When the fridge draws becomes dirty, remove it and wash it with warm soapy water, rinse and dry thoroughly.

(Water freezes at 0°C, but foods containing salt or sugar freeze at temperature lower than that).

The fridge draw compartments are usually used for fresh meats, fruit & vegetables.



DO NOT PUT FOODS YOU WANT TO FREEZE OR ICE TRAYS IN ORDER TO MAKE ICE.

Removing the fridge draws

- Pull the fridge draw out toward you by sliding on rails.
- Pull the fridge draw up from rail to remove.
- Reverse these instructions to reinsert the fridge draws.

Please keep this instruction manual for future reference

Instruction manual RFF730 19

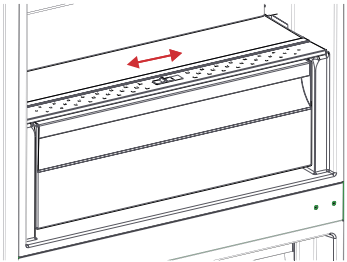


HUMIDITY CONTROLLER

When the humidity controller is in the closed position, it allows fresh fruit and vegetables to be kept fresh for longer.

When the crisper is totally full, the humidity controller should be opened. By means of this the air in the crisper and humidity rate will be controlled and endurance life will be increased.

If you see any condensation on the glass shelf above, the humidity control should be in the open position.



Please keep this instruction manual for future reference





CLEANING AND MAINTENANCE

Make sure to unplug the fridge before starting to clean it.

- Do not wash your fridge by pouring water onto, or inside it.
- You can wipe the inner and outer sides of your appliance with a soft cloth or a sponge using warm and soapy water.
- Remove the parts individually and clean with soapy water. Do not wash in a dishwasher.
- Never use flammable, explosive or corrosive material like thinner, gas, acid for cleaning.
- You should clean the condenser with a brush at least once a year in order to save energy and increase the productivity and efficiency.

DEFROSTING

Your refrigerator performs fully automatic defrosting. The water formed as a result of defrosting passes through the water collection spout, flows into the vaporization container behind your refrigerator and evaporates by itself in there.

- Make sure you have disconnected the plug of your refrigerator before cleaning the vaporization container.
- Remove the vaporization container from its position by unscrewing the screws as indicated. Clean it with soapy water at specific time intervals. Thus, the odor formation will have been prevented.

REPLACING LED LIGHTING

LED lights should be changed by authorised personnel only. please contact an electrician, or Caple service for assistance - 0117 938 7420

Please keep this instruction manual for future reference

Instruction manual RFF730 21





REFRIGERATOR COMPARTMENT

- For normal operating conditions, adjusting the temperature value of the fridge to 4°C will be suitable.
- To reduce humidity and consequently increase of frost, never place liquids in unsealed containers in the refrigerator. Frost tends to concentrate in the coldest parts of the evaporator and in time will require more frequent defrosting.
- Never place warm food in the refrigerator. Warm food should be allowed to cool at room temperature and should be arranged to ensure adequate air circulation in the refrigerator compartment.
- Nothing should touch on the back wall as it will cause frost and the packages can stick to the back wall. Do not open the refrigerator door too frequently.
- Arrange meat and cleaned fish (wrapped in packages or sheets of plastic) which you will use in 1-2 days, in the bottom section of the refrigerator compartment (above the salad crisper) as this is the coldest section and will ensure the best storing conditions.
- You can put the fruits and vegetables into the crisper without packing. Some recommendations have been specified below for the placement and storage of your food in the fridge compartment.

Food	Maximum Storing time	Where to place in the fridge department
Vegetables and fruits	1 week	bottom Crisper
Meat and fish	2 -3 days	Wrapped in plastic foil, bags or in a meat container (Crisper)
Fresh cheese	3 - 4 days	In special door shelf
Butter and margarine	1 week	In special door shelf
Bottled products milk and yoghurt	Until the expiry date recommended by the producer	In special door shelf
Eggs	1 month	In the egg shelf
Cooked food		All shelves

Please keep this instruction manual for future reference





FREEZER COMPARTMENT

- Please use the freezer compartment of your refrigerator for storing frozen foods and producing ice.
- Please do not place the food you shall newly freeze next to already frozen food.
- You should freeze the food to be frozen (meat, minced meat, fish, etc.) by dividing them into portions in such a way that they can be consumed once.
- Please do not refreeze frozen food once they are thawed. It may pose a danger for your health as it may cause problems such as food poisoning.
- Do not place hot food in the freezer before it has cooled. You would cause the other frozen foods in the freezer to decay.
- When you buy frozen foods, make sure that they were frozen under appropriate conditions and the package is not torn.
- While storing frozen food, the storage conditions on the package should certainly be observed. If there is not any explanation, the food must be consumed within the shortest time possible.
- The storage durations of frozen food change depending on the ambient temperature, the frequent opening and closing of the doors, thermostat settings, food type and the time elapsed from the purchase time of the food to the time it is placed into the freezer. Always abide by the instructions on the package and never exceed the indicated storage duration.
- During long lasting power failures, please do not open the door of the freezer compartment. Your refrigerator shall preserve your frozen food for about 18 hours in ambient temperatures of 25°C and for about 13 hours in ambient temperatures of 32°C. This value will decrease under higher ambient temperatures. During longer power failures, do not refreeze your food and consume them as soon as possible.

PLEASE NOTE:

If you want to open the door again immediately after closing it, it may be slightly tougher. This is normal due to the vacuum created. After reaching equilibrium condition, the door will open easily.

Please keep this instruction manual for future reference

Instruction manual RFF730 23





IMPORTANT NOTE:

- Frozen foods, when thawed, should be cooked just like fresh foods. If they are not cooked after being thawed they must NEVER be refrozen.
- The taste of some spices found in cooked dishes (anise, basilica, watercress, vinegar, assorted spices, ginger, garlic, onion, mustard, thyme, marjoram, black pepper, etc.) changes and they assume a strong taste when they are stored for a long period. Therefore, frozen food should be added with only a little amount of spices or the desired spice should be added after the food has been thawed.
- The storage period of food is dependent on the oil used. The suitable oils are margarine, calf fat, olive oil and butter and the unsuitable oils are peanut oil and pig fat.
- The food in liquid form should be frozen in plastic cups and the other food should be frozen in plastic bags or foil.

Please keep this instruction manual for future reference





STORING FROZEN FOOD

Meat and Fish	Preparation	Maximum Storing time (months)
Steak	Wrapped in foil	6 - 8
Lamb meat	Wrapped in foil	6 - 8
Veal roast	Wrapped in foil	6 - 8
Veal cubes	In small pieces	6 - 8
Lamb cubes	In pieces	4 - 8
Minced meat	In packages without using spices	1 - 3
Giblets (pieces)	In pieces	1 - 3
Bologna sausage/ salami	Should be packaged even if it has membrane	4 - 6
Chicken and turkey	Wrapped in foil	4 - 6
Goose and Duck	Wrapped in foil	4 - 6
Deer, Rabbit, Wild Boar	In 2.5 kg portions and as fillets	6 - 8
Freshwater fishes (Salmon, Carp, Crane, catfish)	After cleaning the bowels and scales of the fish, wash and dry it; and if necessary, cut the tail and head.	2
Lean fish; bass, turbot, flounder		4
Fatty fishes (Tuna, Mackarel, bluefish, anchovy)		2 - 4
Shellfish	Cleaned and in bags	4 - 6
Caviar	In its package, aluminium or plastic container	2 - 3

NOTE:

Frozen meat should be cooked as fresh meat after being thawed. If the meat is not cooked after being thawed, it should never be frozen again.

Please keep this instruction manual for future reference

Instruction manual RFF730 25





Vegetables and Fruits	Preparation	Maximum Storing time (months)
String beans and beans	Wash and cut to small pieces and boil in water	10 - 13
Beans	Hull and wash and boil in water	12
Cabbage	Cleaned and boil in water	6 - 8
Carrot	Clean and cut to slices and boil in water	12
Pepper	Cut the stem, cut into two pieces and remove the core and boil in water	8 - 10
Spinach	Washed and boil in water	6 - 9
Cauliflower	Take the leaves apart, cut the heart into pieces, and leave it in water with a little lemon juice for a while	10 - 12
Aubergine	Cut to pieces of 2cm after washing	10 - 12
Corn	Clean and pack with its stem or as sweet corn	12
Apple and pear	Peel and slice	8 - 10
Apricot and Peach	Cut into two pieces and remove the stone	4 - 6
Strawberry and Blackberry	Wash and hull	8 - 12
Cooked fruits	Adding 10 % of sugar in the container	12
Plum, cherry, raspberry	Wash and hull the stems	8 - 12

Please keep this instruction manual for future reference





Dairy Products	Preparation	Maximum Storing time (months)	Storing Conditions
Packet (Homogenize) Milk	In its own packet	2 - 3	Pure Milk – In its own packet
Cheese excluding white cheese	In slices	6 - 8	Original package may be used for short storing period. It should be wrapped in foil for longer periods.
Butter, margarine	In its package	6	

	Maximum Storing time (months)	Thawing time in room temperature (hours)	Thawing time in oven (minutes)
Bread	4 - 6	2 - 3	4 - 5 (220-225°C)
Biscuits	3 - 6	6 - 8	5 - 8 (190-200°C)
Pastry	1 - 3	6	5 - 10 (200-225°C)
Pie	1 - 1,5	3 - 4	5 - 8 (190-200°C)
Phyllo dough	2 - 3	1 - 1,5	5 - 8 (190-200°C)
Pizza	2 - 3	2 - 4	15 - 20 (200°C)

Please keep this instruction manual for future reference



TRANSPORTATION AND REPOSITIONING

- Original package and foam may be kept for retransportation (optionally).
- You should fasten your fridge with thick packaging, bands or strong cords and follow the instructions for transportation on the package for re-transportation.
- Remove movable parts (shelves, accessories, crisper draws etc.) or fix them into the fridge and protect against shocks using bands during re-positioning and transportation.

Carry your fridge in the upright position.

REPOSITIONING THE DOOR

- It is possible to change the opening direction of the appliance doors.
- If the door opening direction of your fridge is required to be changed, due to difficulties, this should only be attempted by a Caple approved engineer. please contact Caple service to arrange this.

Please keep this instruction manual for future reference





TROUBLESHOOTING

Your fridge warns you if the temperatures for fridge and freezer are at improper levels or when a problem occurs in the appliance. Warning codes are displayed in the Freezer and Cooler Indicators.

Error Type	Error Type	Why	What To Do
SR	"Failure Warning"	There is/are some part(s) Out of order or there is a failure in cooling process.	Call Caple service for assistance as soon as possible.
SR – Set value blink on freezer set value screen	Freezer comp. Not Cold enough	This caution will be seen especially after long term of power failure.	<ol style="list-style-type: none"> 1. Do not freeze the foods that are thaw and use in short time period. 2. Set the freezer temperature to colder values or set the super freeze , until the compartment gets to normal temperature. 3. Do not put fresh food until this warning is off.
SR – Set value Blink on cooler set value screen	"Refrigerator comp. Not Cold enough"	Ideal temperature for Ref. Compartment is + 4°C. If you see this warning your foods have risk of spoiling.	<ol style="list-style-type: none"> 1. Set the refrigerator temperature to colder values or set the super cooling mode until the compartment gets to normal temperature. 2. Do not open the door much until this warning is off.
SR – Set value blink on freezer and cooler set value screen	"not cold enough Warning"	It is combination of "not cool enough" error for both of the compartments.	You will see this failure when first starting the appliance. It will turn off after the compartments gets to normal temperature.
SR – Set value blink on cooler set value screen	Refrigerator comp. too Cold	The foods starts to freeze because of the too much cold temperature.	<ol style="list-style-type: none"> 1. Check if the "Super cooling mode" is on. 2. Decrease the refrigerator temperature values.
"--"	"Low voltage Warning"	When the power supply gets lower than 170 V the appliance gets to steady position.	This is not a failure. This prevents any damages on the compressor. This warning will off after the voltage gets to the required level.

Please keep this instruction manual for future reference



If your fridge is not operating;

- Is there a power failure?
- Is the plug connected to the socket correctly?
- Is the fuse of the socket to which the plug is connected or the main fuse blown?
- Is there any failure at the socket? To check this, plug your refrigerator to a socket this is surely operating.

If your fridge is not cooling enough;

- Is the temperature adjustment right?
- Is the door of your fridge opened frequently and left open for a long while?
- Is the door of fridge closed properly?
- Did you put a dish or food on your fridge so that it contacts the rear wall of your fridge so as to prevent the air circulation?
- Is your fridge filled excessively?
- Is there adequate distance between your fridge and the rear and side walls?
- Is the ambient temperature within the range of values specified in the operating manual?

If the food in your refrigerator compartment is over cooled

- Is the temperature adjustment right?
- Are there many food recently put inside the freezer compartment?
- If so, your fridge may over cool the food inside the refrigerator compartment as it will operate longer to cool these food.

If your fridge is operating too loudly;

To maintain the set cooling level, compressor may be activated from time to time. Noises from your fridge at this time are normal and due to its function. When the required cooling level is reached, noises will be decreased automatically. If the noises persist;

- Is your appliance stable? Are the legs adjusted?
- Is there anything behind your fridge?
- Are the shelves or dishes on the shelves vibrating? Re-place the shelves and/or dishes if this is the case.
- Are the items placed on your fridge vibrating?

Please keep this instruction manual for future reference





Normal Noises;

CRACKING (ICE CRACKING) NOISE:

- During automatic defrosting.
- When the appliance is cooled or warmed (due to expansion of appliance material).

SHORT CRACKING:

Heard when the thermostat switches the compressor on/off.

COMPRESSOR NOISE (NORMAL MOTOR NOISE):

This noise means that the compressor operates normally. Compressor may cause more noise for a short time when it is activated.

BUBBLING NOISE AND SPLASH:

This noise is caused by the flow of the refrigerant in the tubes of the system.

WATER FLOW NOISE:

Normal flow noise of water flowing to the evaporation container during defrosting. This noise can be heard during defrosting.

AIR BLOWING NOISE (NORMAL FAN NOISE):

This noise can be heard in No-Frost fridge during normal operation of the system due to the circulation of air.

IF HUMIDITY BUILDS UP INSIDE THE FRIDGE;

- Are all food packed properly? Are the containers dried before placing them in the fridge?
- Are the fridge doors opened frequently? Humidity of the room gets in the fridge when the doors are opened. Humidity build up will be faster when you open the doors more frequently, especially if the humidity of the room is high.

IF THE DOORS ARE NOT OPENED AND CLOSED PROPERLY;

- Do the food packages prevent closing of the door?
- Are the door compartments, shelves and drawers placed properly?
- Are door gaskets broken or torn?
- Is your fridge on a level surface?

Please keep this instruction manual for future reference



IMPORTANT NOTES:

- Compressor protection function will be activated after sudden power breakdowns or after unplugging the appliance, because the gas in the cooling system is not stabilized yet. Your fridge will start after 5 minutes, there is nothing to worry about.
- If you will not use your fridge for a long time (e.g. in summer holidays) unplug it. Clean your fridge and leave the door open to prevent humidity and smell.
- If the problem persists after you have followed all the instructions above, please contact Caple service for assistance.
- The appliance you bought is designed for home use and can be used only at home and for the stated purposes. It is not suitable for commercial or common use. If the consumer use the appliance in a way that does not comply with these features, we emphasize that Caple cannot be held responsible for any repair and failure within the guarantee period.

Please keep this instruction manual for future reference





ENERGY SAVING TIPS

1. Install the appliance in a cool, well ventilated room , but not in direct sunlight and not near heat source (radiator, cooker. etc). Otherwise use an insulating plate.
2. Allow warm food and drinks to cool down outside the appliance.
3. When thawing frozen food, place it in the refrigerator compartment. The low temperature of the frozen food will help to cool the refrigerator compartment when it is thawing. So it saves energy
4. When placing drinks and soups into the fridge they must be covered. Otherwise humidity increases in the appliance. Therefore the working time gets longer. Also covering drinks and soups helps to save smell and taste.
5. When placing food and drinks, open the appliance door as briefly as possible.
6. Keep close the covers of any different temperature compartment in the appliance (crisper, chiller ...etc).
7. Door gasket must be kept clean and pliable. Replace gaskets if worn.

Please keep this instruction manual for future reference

Instruction manual RFF730 33





ELECTRICAL CONNECTION (FOR UK TYPE PLUG)

For your safety please read the following information

Warning: This appliance must be earthed.

This appliance operates from 220-240 volts and should be protected by a 13 amp fuse in the plug.

The appliance is supplied with a standard 13 amp 3-pin mains plug fitted with a 13-amp fuse. Should the fuse require replacement, it must be replaced with a fuse rated at 13 amp and approved to BS1362.

If the mains plug which is fitted is unsuitable for the socket outlet in your home or is removed for any other reason, please follow the instructions below on how to wire a 13 amp 3 pin plug.

HOW TO WIRE A 13 AMP PLUG

IMPORTANT

The wires in the mains lead on this appliance are coloured in accordance with the following code:

- Green and Yellow - Earth
- Blue – Neutral
- Brown – Live

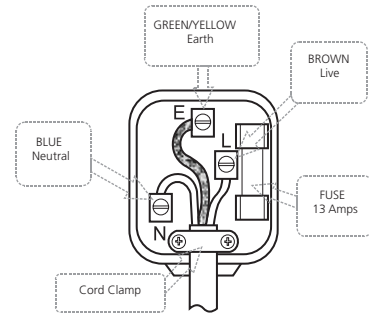
As the colours may not correspond with the markings identifying the terminals in your plug proceed as follows.

The green and yellow wire must be connected to the terminal in the plug which is marked with the letter E or with the earth symbol \perp or coloured green and yellow.

The blue wire must be connected to the terminal marked N.

The brown wire must be connected to the terminal marked L.

You must make sure the lead is firmly secured under the cord clamp.



Please keep this instruction manual for future reference





Caple Service
Fourth Way
Avonmouth
Bristol
BS11 8DW

t: 0117 938 7420
e: service@caple.co.uk
www.caple.co.uk

Please keep this instruction manual for future reference

