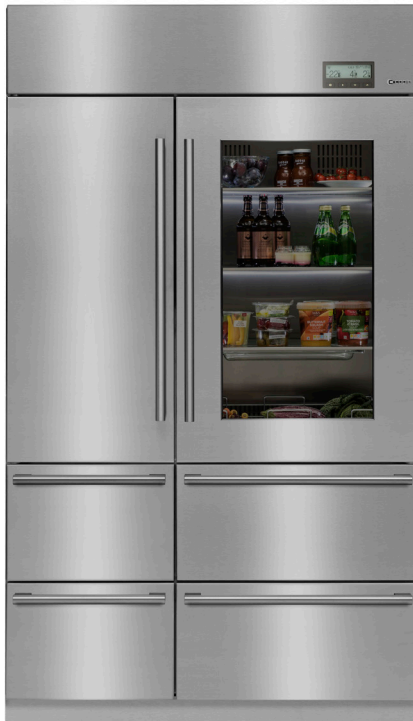




Fridge Freezer Instruction Manual

CAFF60



Contact Cable on 0117 938 7420 for spare parts or www.cable.co.uk



CONTENTS

GENERAL FEATURES	4	FOOD STORAGE	
BEFORE USING THE FRIDGE		Fridge Compartment	23
Safety Instructions	5	Freezer Compartment	23
Installation Warnings	9	TECHNICAL FICHE	28
USE OF APPLIANCE		CARE AND MAINTENANCE	
Parts of the Appliance	11	Cleaning	29
Control Panel	12	Lighting Information	29
Temperature Control	12	INSTALLATION GUIDE	
Corona Light	13	Before Starting Installation	31
Door Alarm Sound	13	Prerequisites For Installation	32
Ice Maker	13	Electrical Requirements	34
Sabbath Mode	14	Plumbing Requirements	35
Fridge Zone Mode	14	Position The Unit	36
Vegetable Zone Mode	15	Levelling The Unit	36
Keypad Sound Mode	15	Anti-Tip Bracket Installation	37
Display Back-light	16	Freestanding Installation	38
Date Set	16	Built-In Installation	38
Time Set	16	Water Line Connection	39
Storage Information	17	Installing Kickplate	40
Safety Glass Shelves	17	Door Handle Installation	41
Tray Runner	18	Drawer Adjustment	42
Storage Drawers	19	Optional Accessories	43
Fresh Bin	19	Water Filtration System	44
Storage Draw Divider	20	Service Information	45
Ice Maker	21	Installation Checklist	46
Water Filtration System	22		
Water Filtration Bypass Mode	23		

GENERAL FEATURES OF CAFF60

- » Can be installed built-in or freestanding
- » 304 grade high hygienic stainless steel construction
- » Dual refrigeration system with two compressors and three evaporators
- » Sophisticated data logging system
- » Dot matrix multi information display
- » Luminated touch sensitive controls
- » Heat insulated triple low-e glass window
- » Ambient humidity sensor for adjusting best energy performance
- » LED lighting with magnetic door sensor
- » Shelf holder with LED lighting
- » Corona light function
- » Fresh bin compartment to keep vegetables fresh longer
- » Storage drawers allow easy access to food with removable divider
- » Automatic ice maker with advanced water filtration system
- » Marinating tray
- » Sabbath mode.

SAFETY INSTRUCTIONS

WARNING:

This appliance contains R600a as a refrigerant. You should be careful during transportation to prevent your appliance's cooler elements from being damaged. Although R600a is an environmental friendly and natural gas, as it is explosive, if the cooler elements are damaged a leak may occur. Keep your fridge away from open flames or heat sources and ventilate the room where the appliance is located.

WARNING:

Keep ventilation openings in appliance enclosure or in structure for building in, clear of obstruction.

WARNING:

Do not use mechanical devices or other artificial means to accelerate the defrosting process, other than those recommended by the manufacturer.

WARNING:

Do not use electrical appliances in the freezer compartment of the appliance, unless they are of the type recommended by the manufacturer.

WARNING:

Do not damage the refrigerant circuits.

CAUTION:

This appliance is not intended for use by persons (including children) with reduced physical sensory or mental capabilities, or lack of experience and knowledge, unless they have been given supervision or instruction concerning use of the appliance by a person responsible for their safety. Children should be supervised to ensure that they do not play with the appliance.

CAUTION:

The appliance can be used by children aged from 8 years and above and persons with reduced physical sensory or mental capabilities or lack of experience and knowledge if they have been given supervision or instruction concerning use of the appliance in a safe way and understand the hazards involved. Children shall not play with the appliance. Cleaning and user maintenance shall not be made by children without supervision.

CAUTION:

If the supply cord is damaged, it must be replaced by Caple, an approved engineer or similar qualified persons in order to avoid a hazard.

CAUTION:

Do not store explosive substances such as aerosol cans with a flammable propellant in this appliance.

CAUTION:

If the power socket does not match the refrigerator plug, it must be replaced by Caple, an approved engineer or similar qualified persons in order to avoid a hazard.

CAUTION:

A specially grounded plug has been connected to the power cable of your refrigerator. This plug should be used with a specially grounded socket of 16 amperes. If there is no such socket in your house, please have it installed by an authorised electrician.

IMPORTANT NOTE:

- This product is not designed for commercial use, it is a household appliance only. It is not intended to be used in:
 - Staff kitchen areas in shops, offices and other working environments.
 - Bed and breakfast type environments.
 - By clients in hotels, motels and other residential type environments.

Please read this booklet before installing and switching on this appliance. Caple take no responsibility for incorrect installation and usage as described in this booklet

- When positioning the appliance, ensure the supply cord is not trapped or damaged.
- Do not locate multiple portable socket-outlets or portable power supplies at the rear of the appliance.
- Do not use plug adapter.



Symbol ISO 7010 W021

Warning; Risk of fire / flammable materials

RECOMMENDATIONS

- » Do not use adapters or shunts which could cause overheating or burning.
- » Do not plug old, warped power supply cables.
- » Do not twist and bend the cables.
- » Do not allow children to play with the appliance. Children must NEVER sit on drawers / shelves or hang from the door.
- » Do not use sharp metal objects for removing ice on the freezer compartment; they could puncture the refrigerator circuit and cause unrepairable damage to the unit. Use the plastic scraper provided.
- » Do not plug the power supply with wet hands.
- » Do not place containers (glass bottles or tin containers) of liquids into the freezer especially gassy liquids as they could cause the container to burst during freezing.
- » Bottles that contain a high percentage of alcohol must be sealed well and placed vertically in the freezer.
- » Do not touch the cooling surfaces, especially with wet hands as you could be burnt or hurt.
- » Do not eat ice, which has just been removed from the freezer.

INSTALLATION WARNINGS

- » This appliance is suitable for connecting to 220-240V and 50 Hz.
- » Before making the connection to the power supply, ensure that the voltage on the rating label corresponds to the voltage of electrical system in your home.
- » Insert the plug into a socket with an efficient ground connection. If the socket has no ground contact or the plug does not match, contact Caple or an authorised electrician for assistance.
- » The plug should be accessible after the appliance is positioned.
- » Caple is not responsible for failure to complete the ground connection as described in this booklet.
- » Do not place the appliance in direct sunlight.
- » Do not use in open air and do not expose to the rain.
- » Place the appliance far from heat sources and in a well-ventilated position. The freezer should be at least 50cm from radiators and gas ovens and 5cm far from electrical ovens.
- » Do not place heavy items on the appliance.
- » The appliance must stand firmly and level on the floor. Use the two front levelling-feet to compensate for an uneven floor.
- » The outside of the appliance and the accessories inside should be cleaned with a solution of water and liquid soap; the inside of the appliance with sodium bicarbonate dissolved in lukewarm water. After drying replace all the accessories.
- » Wait 3 hours before plugging the appliance in to the main power to ensure proper performance.
- » There can be an odour when you first switch on the appliance. It will disappear after you leave the doors open for a while. While you are waiting 3 hours to plug the appliance in you can leave the doors open.



ENVIRONMENTAL PROTECTION

Waste electrical products should not be disposed of with household waste. Please recycle where facilities exist. Check with your Local Authority or retailer for recycling advice. This appliance is marked according to the European directive 2002/96/EC on Waste Electrical and Electronic Equipment (WEEE).

By ensuring this product is disposed of correctly, you will help prevent potential negative consequences for the environment and human health, which could otherwise be caused by inappropriate waste handling of this product. The symbol on the product indicates that this product may not be treated as household waste. Instead it shall be handed over to the applicable collection point for the recycling of electrical and electronic equipment. Disposal must be carried out in accordance with local environmental regulations for waste disposal.

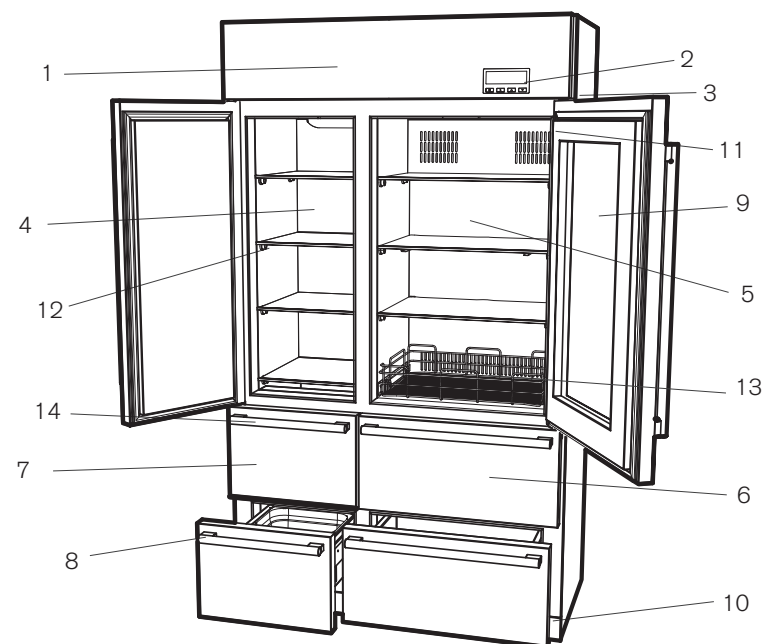
For more detailed information about treatment, recovery and recycling of this product, please contact your local council, your household waste disposal service or the retailer where you purchased the product.

CE DECLARATIONS OF CONFORMITY



This appliance has been manufactured to the strictest standards and complies with all applicable legislation, Low Voltage Directive (LVD) and Electromagnetic Compatibility (EMC).

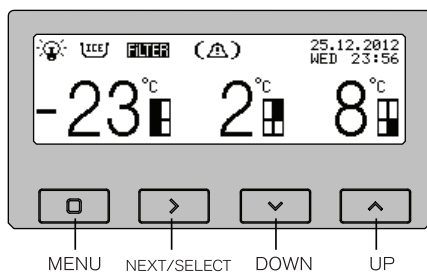
PARTS OF THE APPLIANCE



- | | |
|--|---|
| 1. Engine compartment | 8. Ice compartment with ice cube tray |
| 2. Dot matrix multi information display | 9. Heat insulated triple low-e glass window |
| 3. Luminated touch sensitive controls | 10. Detachable trim |
| 4. Freezer with glass shelf's | 11. LED lighting with magnetic door sensor |
| 5. Refrigerator with glass shelves | 12. Shelf holder with LED lighting |
| 6. Crisper drawer with fresh control compartment | 13. Bottle drawer |
| 7. Freezer drawer | 14. Robust handle |

CONTROL PANEL

By using the touch control panel, the temperature values of the each compartment and useful modes can be easily arranged. The control panel is located on the right side of the upper cover. Below, you can find how to use the control panel and the features of the special modes of the CAFF60.



TEMPERATURE CONTROL

There are three different sets on the control panel which are freezer, fridge and chiller compartments. To arrange the temperature values, the below instructions can be followed.

TEMPERATURE SETTINGS:

- » Press **MENU** button (approx 2-3 seconds) then temperature set screen
- » Press **NEXT / SELECT** button to change the selected column.
- » Press **UP** or **DOWN** button to change compartment's temperature values.
- » To return to the Main Screen you can wait 15 seconds or press the **MENU** button.

For the freezer compartment, the temperature range is -24 °C to -16 °C, for Refrigerator and Chiller compartment, they are +2 °C to +8 °C. Slight fluctuations of these values are normal, and depends on external influences such as an open door, the degree of humidity and the room temperature.

IMPORTANT NOTE:

Always allow 12 hours for compartments to reach the temperature you set.

CORONA LIGHT

This mode is used for arranging the interior refrigerator lighting ON / OFF while the door is closed. While the corona light is ON; despite the door being closed, it provides visibility and easy access to the compartment.

SETTINGS:

- » Hold the **MENU** button (approx 2-3 seconds) until the Menu Function screen is seen.
- » Choose Corona Light by using **UP** or **DOWN** buttons.
- » Press **NEXT / SELECT** button then choose **ON / OFF**. Settings are saved automatically after pressing buttons.

To return to the Main Screen you can wait 15 seconds or press the **MENU** button.

DOOR ALARM SOUND

This mode is used for controlling the door alarm function. If the mode is active, the alarm sounds when the door is open for more than 60 seconds.

SETTINGS:

- » Hold the **MENU** button (approx 2-3 seconds) until the Menu Function screen is seen.
- » Choose Door Alarm Sound by using **UP** or **DOWN** button.
- » Press **NEXT / SELECT** button then choose **ON / OFF**. Settings are saved automatically after pressing buttons.
- » To return the Main Screen you can wait 15 seconds or press the **MENU** button.

ICE MAKER

This mode is used for controlling the ice maker function.

SETTINGS:

- » Hold the **MENU** button (approx 2-3 seconds) until the Menu Function screen is seen.
- » Choose Ice Maker by using **UP** or **DOWN** buttons.
- » Press **NEXT / SELECT** button then choose **ON / OFF**. Settings are saved automatically after pressing buttons.
- » To return the Main Screen you can wait 15 seconds or press the **MENU** button.

SABBATH MODE

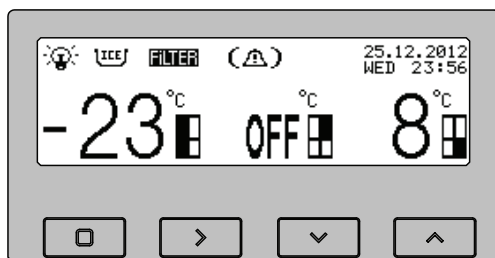
This mode is used for deactivating all functions but basic refrigeration.

SETTINGS:

- » Hold the **MENU** button (approx 2-3 seconds) until the Menu Function screen is seen.
- » Choose Sabbath by using **UP** or **DOWN** buttons.
- » Press **NEXT / SELECT** button then choose **ON / OFF**. Settings are saved automatically after pressing buttons.
- » To return the Main Screen you can wait 15 seconds or press the **MENU** button.

FRIDGE ZONE MODE

This mode helps to operate the fridge zone . When the fridge zone mode is set as OFF, this compartment will not be cooled.



SETTINGS:

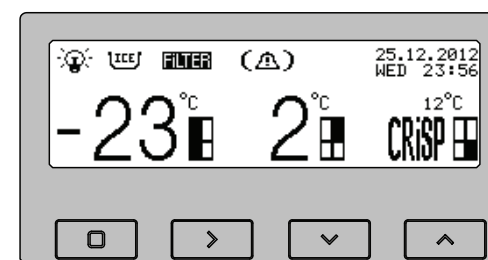
- » Hold the **MENU** button (approx 2-3 seconds) until the Menu Function screen is seen.
- » Choose Fridge Zone by using **UP** or **DOWN** button.
- » Press **NEXT / SELECT** button then choose **ON / OFF**. Settings are saved automatically after pressing buttons.
- » To return the Main Screen you can wait 15 seconds or press the **MENU** button.

VEGETABLE ZONE MODE

This mode helps to operate vegetable zone. When the Vegetable Zone Mode is set as crisp , the temperature of the vegetable compartment will be 12°C and the vegetables in that compartment will be kept fresh longer.

SETTINGS:

- » Hold the **MENU** button (approx 2-3 seconds) until the **MENU** Function screen is seen.
- » Choose Vegetable Zone by using **UP** or **DOWN** buttons.
- » Press **NEXT / SELECT** button then choose **ON / OFF**. Settings are saved automatically after pressing buttons.
- » To return the Main Screen you can wait 15 seconds or press the **MENU** button.



KEYPAD SOUND MODE

This mode is used for activate or deactivate the keypad sound.

SETTINGS:

- » Press **MENU** button (approx 2-3 seconds) until the Menu Function screen is seen.
- » Choose Keypad Sound by using **UP** or **DOWN** buttons.
- » Press **NEXT / SELECT** button then choose **ON / OFF**. Settings are saved automatically after pressing buttons.
- » To return the Main Screen you can wait 15 seconds or press the **MENU** button.

DISPLAY BACKLIGHT

This mode is used to activate or deactivate the display backlight.

SETTINGS:

- » Press **MENU** button (approx 2-3 seconds) until the Menu Function screen is seen.
- » Choose Display Backlight by using **UP** or **DOWN** button.
- » Press **NEXT / SELECT** button then choose **ON / OFF**. Settings are saved automatically after pressing buttons.
- » To return the Main Screen you can wait 15 seconds or press the **MENU** button.

DATE SET

This mode is used for setting the date.

SETTINGS:

- » Hold the **MENU** button (approx 2-3 seconds) until the Menu Function screen is seen.
- » Choose Date Set by using **UP** or **DOWN** button.
- » Press **NEXT / SELECT** button and then date set screen will be seen.
- » Press **NEXT / SELECT** button to change the selected column.
- » Press **UP** or **DOWN** button to change **DAY / MONTH / YEAR** values.
- » To return the Main Screen you can wait 15 seconds or press the **MENU** button.

TIME SET

This mode is used for setting the time.

SETTINGS:

- » Hold the **MENU** button (approx 2-3 seconds) until the Menu Function screen is seen.
- » Choose Time Set by using **UP** or **DOWN** buttons.
- » Press **NEXT / SELECT** button to change the selected column.
- » Press **UP** or **DOWN** button to change the time.
- » To return the Main Screen you can wait 15 seconds or press the **MENU** button.

STORAGE INFORMATION

SAFETY GLASS SHELVES

The safety glass shelves in the upper fridge and freezer compartment are tempered and have plated aluminium profiles mounted in front of them. The glass stoppers fixed the glass to provide true positioning of the shelves.

It is easy to remove the shelves, rise the shelf up and pull it towards you. Slowly remove out of the refrigerator. Repeat the process backwards to reinstall.

IMPORTANT NOTE:

While removing and replacing the glass shelves use care to prevent breaking the glass and scratching the interior surface.

IMPORTANT NOTE:

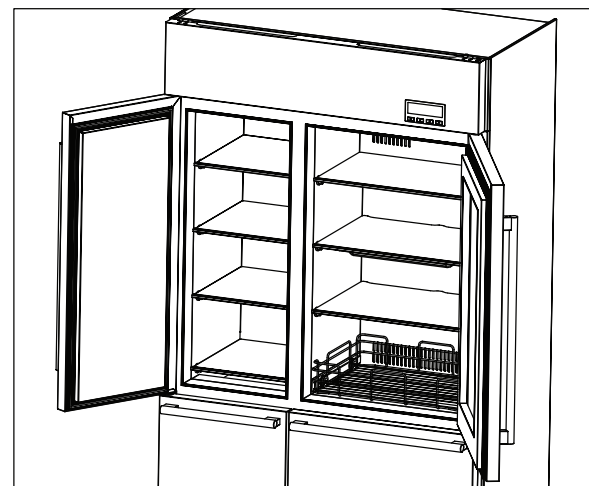
Since the upper shelf dimensions are different than the others, ensure the shelves are installed into the correct positions.

IMPORTANT NOTE:

While loading shelves, pay attention not to exceed the glass alignment.

IMPORTANT NOTE:

Please do not place your foods in front of the aluminium shelf profiles as this may effect air flow.



TRAY RUNNER

The tray runners are compatible with glass trays used in built-in ovens and similar dimensions. Tray runners are fixed under the fridge shelf. The glass tray is placed into the tray runners. The bottom shelf can be replaced with the middle shelf and vice versa.

To insert a tray it is advised to align the tray with the rails and insert slowly till the end. To remove the tray, slowly pull it until derailed.

IMPORTANT NOTE:

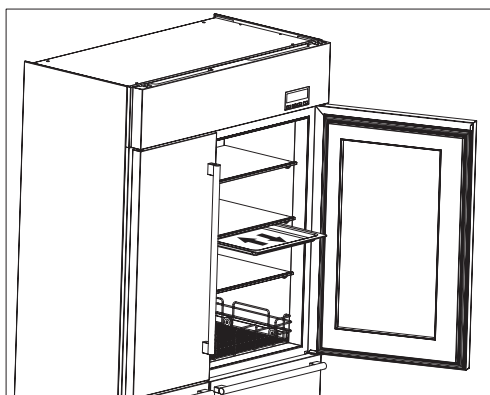
While removing and replacing the oven tray use care to prevent breaking the glass and scratching the interior surface

IMPORTANT NOTE:

If the tray is hot. Wait until it cools down before replacing

IMPORTANT NOTE:

The steam of the hot food in tray can stain the shelf directly above. Ensure this is cleaned regularly.



STORAGE DRAWERS

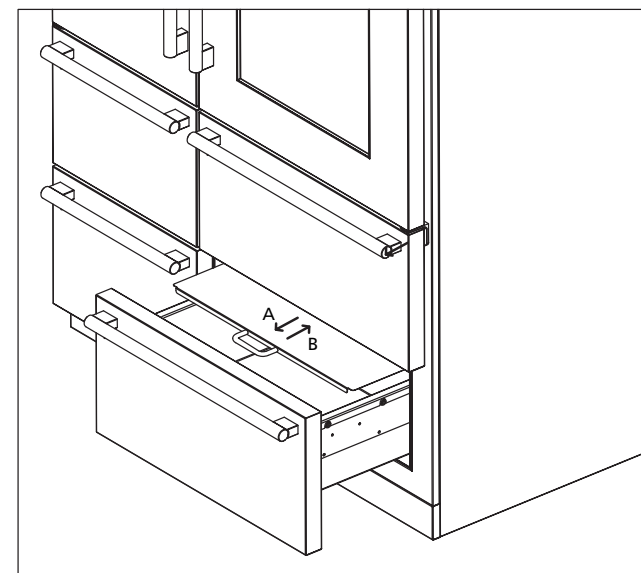
The stainless steel drawers create a more spacious area for foods. With their large interior volume, it is easier to store more foods in the drawers.

FRESH BIN

The Fresh Bin keeps vegetables fresh for a longer time. If necessary the fresh bin cover can be opened or closed so this compartment can be also used as a normal fridge compartment.

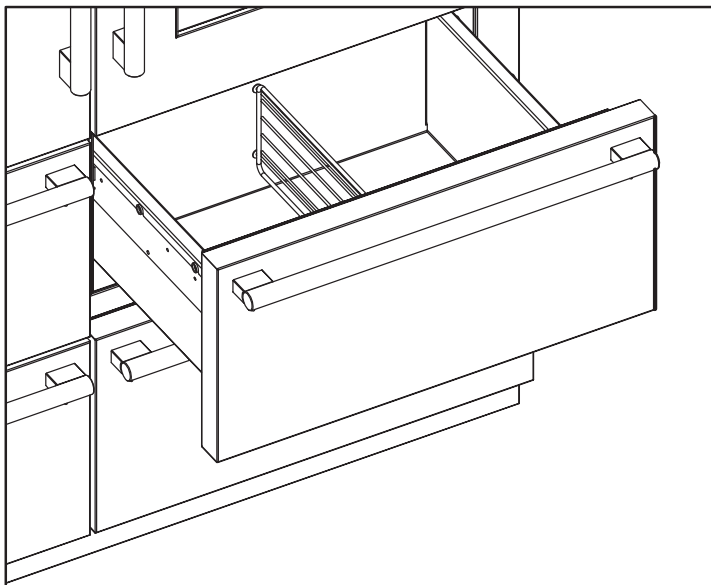
To activate the fresh bin, pull the cover as shown by figure A. It will take its proper position when the drawer closed.

To deactivate the fresh bin, just push the cover to the final position as shown by figure B.



STORAGE DRAWER DIVIDER

By using the drawer divider, it is easy to separate different types of food and it can be removed by unscrewing from the basket.



ICE-MAKER

The automatic ice-maker is located in the fridge compartment. Designed to unload the ice into the ice bucket located in the lower freezer drawer.

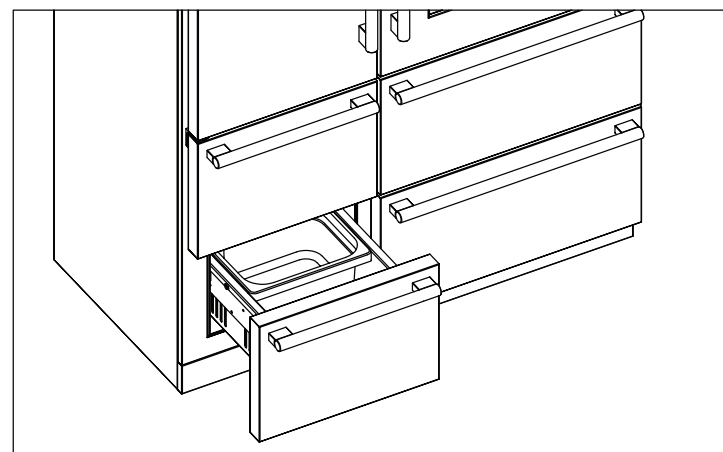
The ice maker can be controlled from the control panel.

The ice maker automatically stops producing ice, when the bucket is full.

There is a plumbing connection and water filter system for the ice-maker which is explained in the installation guide.

IMPORTANT NOTE:

The ice-maker will not make ice immediately. Customers should not use the ice produced from the first use and discard the first few batches of ice.



The ice bucket is removable for cleaning.

WATER FILTRATION SYSTEM

For producing clean ice; a water filtration system is used which supplies filtered water to the ice maker. The location of the filtration system is in the upper compartment and can be easily reached by opening the upper compartment cover. This comes already installed and can be easily replaced by the customer.

IMPORTANT NOTE:

If the unit has been turned off or the ice maker disabled for one month or longer, the water filter cartridge should be replaced once the unit and ice maker are back in operation.

IMPORTANT NOTE:

Do not use with that is microbiological unsafe or unknown water quality without adequate disinfection before or after the system. Systems certified for cyst reduction may be used on disinfected waters that may contain filterable cysts.

IMPORTANT NOTE:

The Filter cartridges should be changed every 6 months. Date and next changing date should be written on the cartridge.

However there will be a warning on the display (FILTER) when the filter requires changing

REPLACING THE WATER FILTER CARTRIDGE (FILTER/CAFF60)

- » To access the water filter cartridge which is located middle of the upper compartment, lift the cover by pulling it up.
- » Slowly rotate the cartridge one-quarter turn counter-clockwise until it is free from the base. **DO NOT** pull. While separating the cartridge, it is normal to see a small amount of water to spill out.
- » Remove the cap from new water filter cartridge.
- » Position it so the locking tabs can be inserted in to the filter head.
- » Rotate the filter slowly approximately one-quarter turn clockwise until it stops. **DO NOT** over tighten.
- » To clean the water system and the air from the line, the first full bucket of ice produced should be discarded after the new cartridge is installed.
- » Replacement water filters (FILTER/CAFF60) can be purchased directly from www.cagle.co.uk

WATER FILTRATION BYPASS MODE

If you choose not to use the water filtration system, by removing the water filter cartridge, the system started to work as Bypass mode. In this mode, the water gets to ice maker without filtration.

When the cartridge is removed, the filtration system automatically goes into Bypass mode. To use the filtration system again put the cartridge back into filter head.

IMPORTANT NOTE:

If a reverse osmosis system is used, the water filter cartridge must be removed to put the water filtration system into bypass mode.

FOOD STORAGE

FRIDGE COMPARTMENT

- » Under normal operating conditions, you should set the temperature of fridge compartment to +4 / +6 °C.
- » In order to avoid frosting, humidification and bad odours, food should be placed in the fridge in closed containers or covered with appropriate material.
- » Hot food and beverages should be cooled to room temperature before being placed in the fridge.
- » Vegetables and fruits can be placed into the crisper drawer without packaging.

IMPORTANT NOTE:

- » Cover liquids and stews when you put them in the fridge. Otherwise, the humidity inside the fridge increases and this causes the fridge to become less efficient. Covering the food and beverages also allows you to protect their taste and flavour.
- » Potatoes, onion and garlic shouldn't be kept in the fridge.
- » Fridge drawers could be removed to increase the storage volume.

The volume which is declared at product specifications is the volume that is calculated without fridge drawer's baskets.

FREEZER COMPARTMENT

- » The freezer compartment is used for storing frozen foods for a long time or for producing ice.
- » If you leave the door of freezer open for a long time, frosting will appear on the lower stage of freezer. Thus, air circulation will be obstructed. In order to avoid this, first unplug the cord and wait until thawed. After ice melts, you should clean the freezer.
- » It is strongly suggested that you place your foods 1 cm away from drawer the rear and side walls.
- » When ice bucket is removed, this drawer could be used as 2 star freezer compartment.

IMPORTANT NOTE:

Please never refreeze frozen food after thawing them. It may be hazardous to your health as it may lead to food poisoning.

- » Do not place hot food in the freezer before cooling them. This may cause other frozen food in the freezer to get decayed.
- » When buying frozen food, make sure that it was frozen under appropriate conditions and its package is not torn.
- » Storing time for frozen food may differ according to the ambient temperature, frequency of door openings, thermostat adjustments, type of food and the time between the buying of the food and placing of the food in the freezer. Always follow instructions on the package and do not exceed storing period.

Some spices in cooked food (aniseed, basil, dill, vinegar, spice mix, ginger, garlic, onion, mustard, thyme, marjoram, black pepper, Bologna sausage etc.) may have a foul taste when stored for a long time. Therefore, frozen food should be spiced just a little or spice should be added after the food is thawed.

The storing time for the food depends on the oil used. Margarine, veal fat, olive oil and butter are suitable, peanut oil and lard are not suitable.

Cooked food in liquid form should be frozen in plastic containers, other food should be frozen wrapped in plastic foil or in plastic bags.

FROZEN FOOD GUIDE

MEAT & FISH	PREPARATION	STORING TIME (MONTHS)	THAWING TIME IN ROOM TEMPERATURE (HOURS)
Steak	Wrapping in a foil	6 - 10	1 - 2
Lamb	Wrapping in a foil	6 - 8	1 - 2
Veal roast	Wrapping in a foil	6 - 10	1 - 2
Veal cubes	Wrapping in a foil	6 - 10	1 - 2
Lamp cubes	In small pieces	4 - 8	2 - 3
Minced meat	In packages without using spices		1 - 2
Giblets (pieces)	In pieces	1 - 3	1 - 2
Bologna sausage / salami	Should be packaged even if it has membrane		Until it is defrosted
Chicken & duck	Wrapping in a foil	7 - 8	10 - 12
Goose & duck	Wrapping in a foil	4 - 8	10
Deer, rabbit, wild boar	In 2.5 kg portions and as fillets	4 - 12	10 - 12
Fresh fishes (salmon, carp, crane, cat fish)	After cleaning the bowels and scales of the fish, wash and dry it; and if necessary, cut the tail and head.	2	Until it is thawed completely
Lean fish; bass, turbot		4 - 8	Until it is thawed completely
Fatty fishes (tuna, mackerel, bluefish, anchovy)		2 - 4	Until it is thawed completely
Shellfish	Cleaned and in bags	4 - 6	Until it is thawed completely
Caviar	In its packaged aluminium or plastic container	2 - 3	Until it is thawed completely

NOTE:

Frozen meat should be cooked as fresh meat after being thawed. If the meat is not cooked after being thawed, it should never be frozen again.

VEGETABLES AND FRUITS	PREPARATION	STORING TIME (MONTHS)	THAWING TIME IN ROOM TEMPERATURE (HOURS)
Cauliflower	Take the leaves apart, cut the heart into pieces and leave in water with a little lemon juice for a while	10 - 12	It can be used from frozen
String beans and beans	Wash and cut into small pieces	10 - 13	It can be used from frozen
Beans	Wash	10 - 13	It can be used from frozen
Mushroom and asparagus	Wash and cut into small pieces	6 - 9	It can be used from frozen
Cabbage	Wash	6 - 8	2
Eggplant	Cut to pieces of 2cm after washing	10 - 12	Separate them from one another
Corn	Clean & pack with its stem or as sweet corn	12	1 - 2
Carrot	Clean & cut to slices	12	Until it is defrosted
Pepper	Cut the stem, cut into 2 pieces & remove the core	8 - 10	10 - 12
Spinach	Washed	6 - 9	10
Apple & pear	Peel & slice	8 - 10	10 - 12
Apricot & peach	Cut into 2 pieces & remove the stone	4 - 6	Until it is thawed completely
Strawberry & blackberry	Wash	8 - 12	Until it is thawed completely
Cooked fruits	Adding 10% of the sugar in the container	12	Until it is thawed completely
Plum, cherry	Wash & cut the stems	8 - 12	Until it is thawed completely

BREAD / PASTRIES	STORING TIME (MONTHS)	THAWING TIME IN ROOM TEMPERATURE (HOURS)	THAWING TIME IN OVEN (MINUTES)
Bread	4 - 6	2 - 3	4 - 5 (220-225°C)
Biscuits	3 - 6	1 - 2	5 - 8 (190-200°C)
Pastry	1 - 3	2 - 3	5 - 10 (220-225°C)
Pie	1 - 2	3 - 4	5 - 8 (190-200°C)
Filo dough	2 - 3	1 - 2	5 - 8 (190-200°C)
Pizza	2 - 3	2 - 4	15 - 20 (220°C)

TECHNICAL FICHE

SPECIFICATIONS	UNIT	CAFF60
Climate class		T/SN (10°C - 43°C)
Number of doors	pcs	6
Volume total (net)	lt	713
Volume refrigerator (net)	lt	466
Volume Freezer (net)	lt	247
Number of compressors	pcs	2
Performance (star rating)		216 lt 4 stars (****) 31 lt 2 stars (**)
Energy consumption	kWh / year	1,192
Energy consumption		435
Energy class	KG / 24h	A++
Freezing capacity		13
Defrost system type Fridge/Freezer		Automatic
Refrigerating gas		R600a
Refrigerating gas quantity	gr	75 / 45
Power	W	430
Defrost heat power	W	380
Current	A	2,8
Refrigeration system		No - Frost
Built under		No
Built in		Yes
Electronic control		Yes
Condenser type		Air forced wire tube condensers
Blowing agent for insulation		C-Pentane
Air flow type Fridge / Freezer		Forced / Forced
Temperature rise time (18oC to -9oC)	mins	820
Thermostat		7 sensors
Freezer		Left
Cooling		No frost
Control		Digital inverter
Chiller		No
Waste dispenser		No
Split		Yes
Condenser		Top
Ice Tray		Yes
Hygiene features		Water filter
Dimensions	cm	H212 x W121 x D71 (66 without handle)

CARE AND MAINTENANCE

CLEANING

Interior surfaces and removable parts can be cleaned using a mild solution of soap and lukewarm water. Do not use abrasive products or detergents. After washing, rinse with clean water and dry carefully. While cleaning, avoid getting water on lights and display panel.

For cleaning stainless steel exterior, you can use a soft, non abrasive stainless steel cleaner. By using a dry polishing chamois with a water-dampened microfibre cloth, you can bring out the natural lustre of the stainless steel. Better results are obtained by keeping the cloth in continuous contact with the stainless steel.

IMPORTANT:

Before you start cleaning, be sure to disconnect unit from the power supply.

IMPORTANT:

Do not submerge or pour hot water over cold glass shelves.

LIGHTING INFORMATION

In both the freezer and refrigerator compartments, LED lights are used for illumination. In the upper refrigerator and freezer compartment, the locations of the led lights are on the ceiling and side walls. For drawers, their positions are only on the ceiling.

When the door is closed, the refrigerator lights remain on, which provides improved visibility and easy access. The interior light can be turned on/off via the control panel.

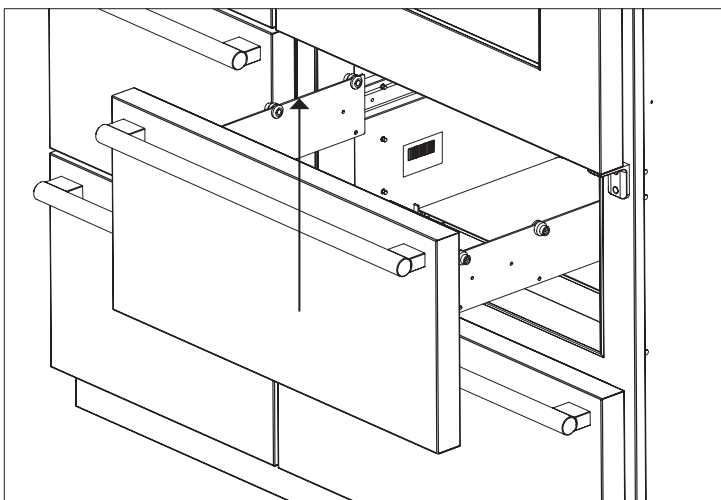
INSTALLATION GUIDE

It is important that the installation is done by a qualified installer. Caple can not be held responsible for any defects caused by an incorrect installation.

This manual is prepared for an easier, problem free and most importantly safe installation process. Before beginning installation, it is strongly recommended to read this installation guide carefully and entirely.

Any problems or questions you might have about the installation process, please contact Caple customer service.

Important product information, such as model and serial number of the unit are listed on the rating label. This is located on the left wall of the top cooler drawer compartment. To access it please open the top cooler drawer and remove the basket. See the illustration below



BEFORE STARTING INSTALLATION

The CAFF60 could be installed as two different types. As built-in or free-standing. Some parts are optional according to installation type.

Before the installation process, please make sure that the prerequisites are provided. Such as; electrical connections, water supply etc. Please check the technical fiche for more information.

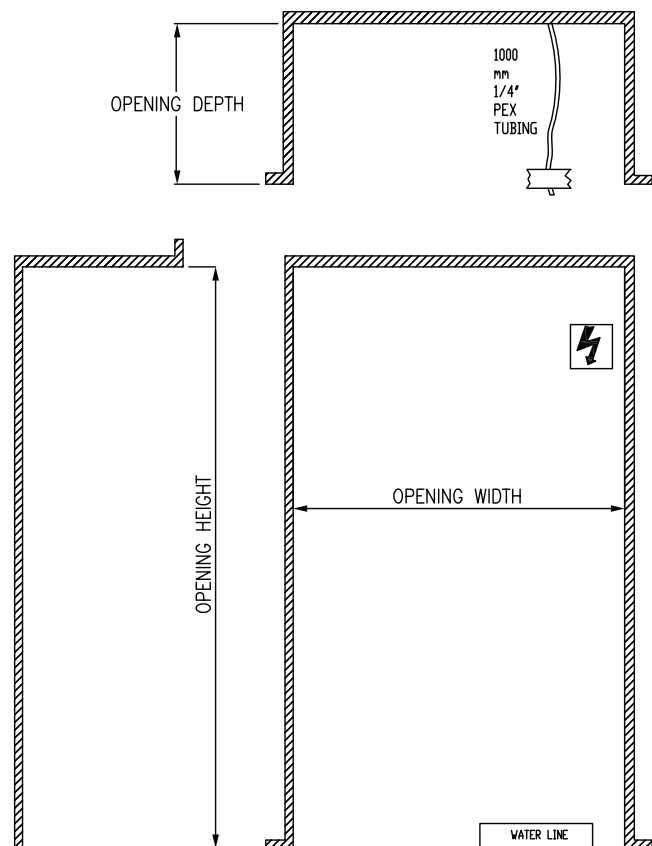
TOOLS & MATERIALS

- » Dolly or an appropriate lift (Able To Support 400 Kg)
- » 13 mm Socket Wrench and Open End Wrench
- » Phillips Head Screwdriver
- » M4 Allen Wrench
- » Flat Head Screwdriver
- » Drill with 6 mm concrete drill bit (for free-standing installations)
- » Tubing Cutter
- » Loctite® 270 (included in package)

PREREQUISITES FOR INSTALLATION

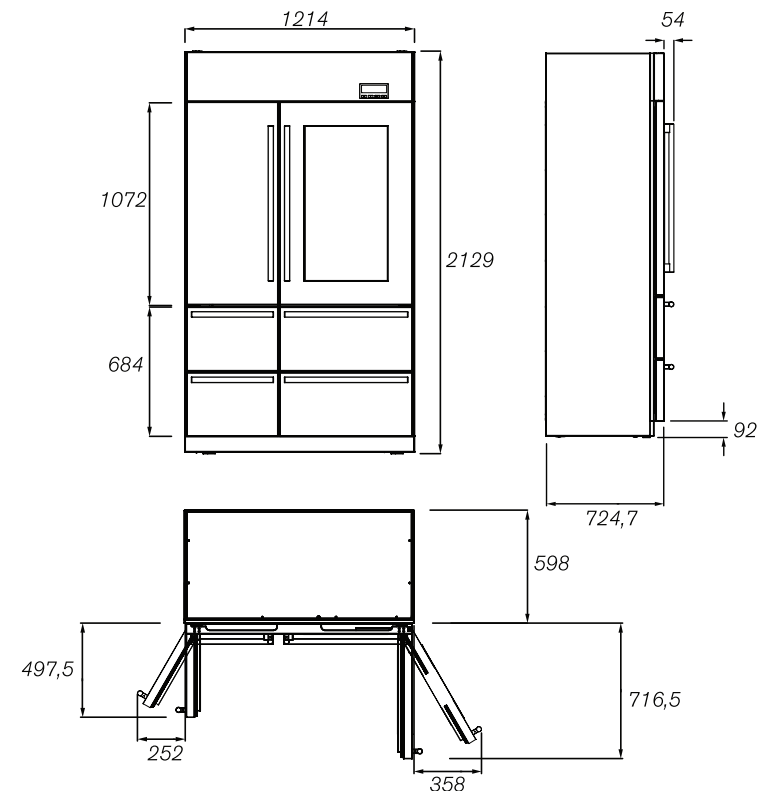
OPENING DIMENSIONS

Standard and flush built-in installations



OPENING DIMENSIONS	STANDARD	FLUSH
Opening width	1200mm	1216mm
Opening Height	2120mm	2136mm
Opening Depth	580mm	600mm

OVERALL DIMENSIONS



WEIGHT	KG
CAFF60	350

ELECTRICAL REQUIREMENTS

The power outlet must be inside the area shown in the picture below. When installing plug, you should follow the National Electrical code and local codes and regulations.

CAUTION:

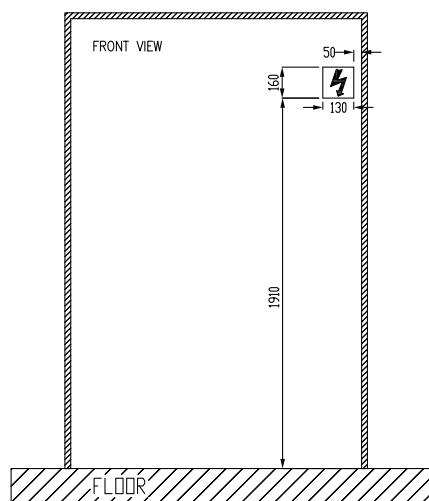
To ensure that the outlet is properly wired. Polarity should be checked by a qualified electrician. Make sure the outlet is properly grounded.

WARNING:

Do not use an extension flex or plug

WARNING:

In any installation, service or maintenance please turn off the power from the mains.



ELECTRICAL REQUIREMENTS

Power supply	220 - 240 V AC, 50 Hz
Plug type	3 pin

PLUMBING REQUIREMENTS

The CAFF60 is able to produce ice via an automatic ice maker system with an integrated water filtration system. To supply water to the ice maker, the water line must be arranged in the shown area before installation. A constant water pressure from 240000 Pa (35 psi) up to 830000 Pa (120 psi) is sufficient for the ice maker system. The water filtration system is described further on.

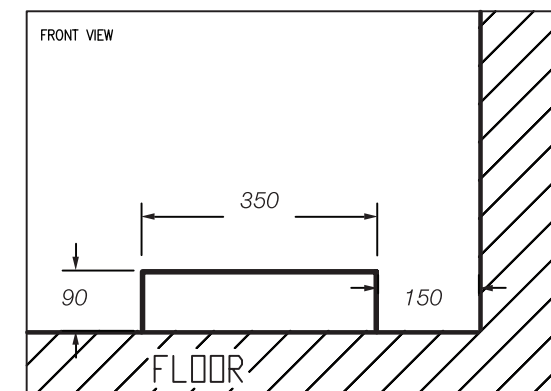
IMPORTANT NOTE:

The system should not be used with water that is micro biologically unsafe or unknown water quality

The instructions for appliances connected to the water mains shall state

- » The maximum inlet water pressure, in pascals;
- » The minimum inlet water pressure, in pascals, if this is necessary for the correct operation of the appliance.

The instructions for appliances connected to the water mains by detachable hose-sets shall state that the new hose-sets supplied with the appliance are to be used and that old hose-sets should not be reused.



PLUMBING REQUIREMENTS

Water supply line	¼" PEX tubing
Water pressure	2.4 - 8.3 bar(35-120 psi)
Excess water line for connections	1000mm

IMPORTANT NOTE:

It is strongly suggested that the refrigerator should be tilted to its left side (freezer side) while carrying but only if necessary.

If for any reason the unit has to be tilted the unit must stand upright for a minimum of 24 hours before connecting to power.

IMPORTANT NOTE:

Due to the refrigerator being heavy a caution should be taken to ensure the unit is moved and placed with adequate human power.

POSITION THE UNIT

Please make sure all electrical and plumbing requirements are done, before placing the unit.

IMPORTANT NOTE:

Make sure the rear levellers are in their lowest position while setting the refrigerator in its place. Levelling should not be completed until the unit is in the desired position.

LEVELLING THE UNIT

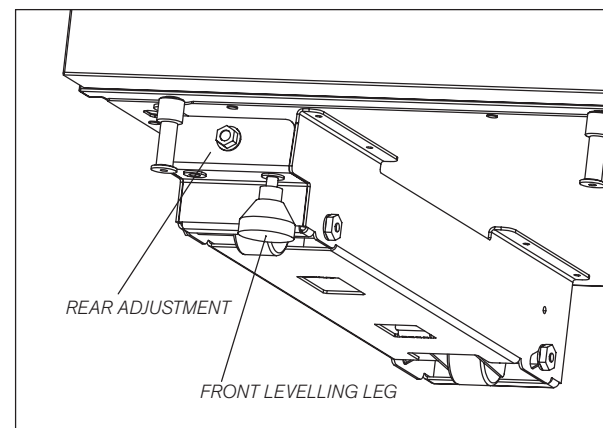
After positioning has been done, levelling should be done for proper placing. When the unit is properly levelled, door and drawer adjustments are less likely to be changed from the factory default settings.

Firstly rear adjustment should be done with using a 13mm socket wrench. Turn the bolt clockwise to raise the unit or counter clockwise to lower it. Refer to the picture below for the position of the rear roller base adjustment.

IMPORTANT NOTE:

The floor can be reference for levelling, and not surrounding cabinetry. This could have influence on the operation of the unit, such as door closing or drawer closing.

The front levelling legs could be adjusted by turning them counter clockwise.

**WARNING:**

To avoid the unit tipping forward, the front levelling legs should touch the floor.

ANTI-TIP BRACKET INSTALLATION

For safety precautions it is important to fix the system to the surrounding to prevent tipping over. There are two different methods which can be applied for free-standing type and built-in type. The content of fixating elements in the anti-tip package includes for two types of installation.

Content of Anti-tip package;

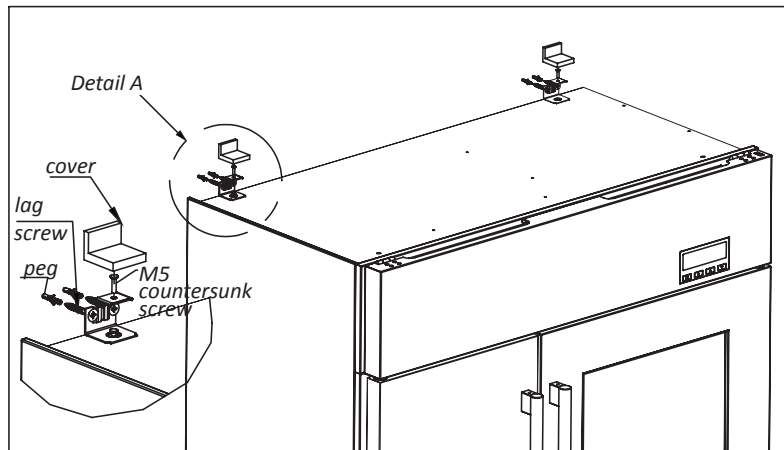
- » Fixing Pin - 4 pieces
- » 2mm String - 8 pieces
- » Lag Screw (D4X20) - 4 pieces
- » L type Bracket - 2 pieces
- » Screw (M5X16) - 2 pieces
- » Plastic Wall Plug - 4 pieces
- » Lag Screw (D4X35) - 4 pieces

All components will not be necessary for each installation.

FREESTANDING INSTALLATION

L type brackets and joints are used in this installation type. The sequence of assembly and installation drawing are located below.

- » Place the refrigerator in appropriate position.
- » The unit should be pushed until the back side touches the wall.
- » L type brackets and the rivet nuts are fastened with M5 screw which are located on the top of the refrigerator.
- » Mark the wall through the holes of L type bracket and move the bracket.
- » Make a hole on the wall at appropriate points with 6 mm drill and put the pegs in the wall.
- » Fasten the L type bracket to the wall with D4X35 Lag Screws.

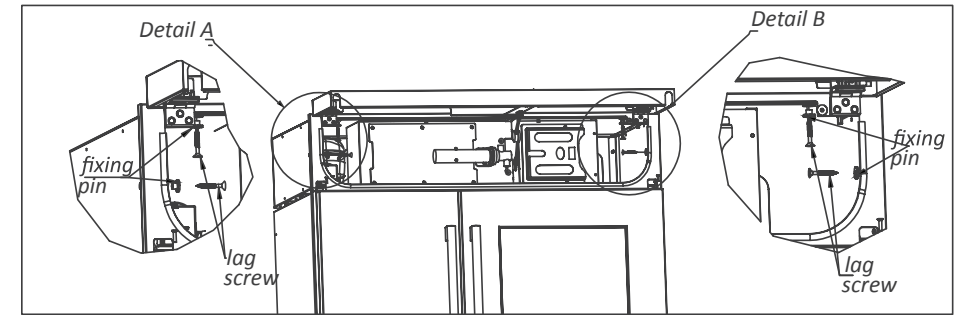


FREE-STANDING INSTALLATION

BUILT-IN INSTALLATION

Fixing pins and the joints are used in built-in installation version. The sequence of the assembly and installation drawing are located below.

- » Place the refrigerator in furniture which is built in special dimensions.
- » Open the upper compartment cover.
- » Put the fixed pins in appropriate holes and use the washers for tolerating gaps.
- » Fasten the fixing pins to the furniture using D4X20 Screw.



BUILT-IN INSTALLATION

IMPORTANT NOTE:

Be sure the levelling is correct done correctly before screwing.

WATER LINE CONNECTION

1/4" mm plastic tubing is connected to the ice maker with a pre-assembled 1/4" check valve connection at the end of the tube. Check valve is located behind the kick plate. First, PEX tubing must be cut evenly using tubing cutters for even cut to eliminate any leakages. Next, safety clips should be removed from the open end of the check valve. Then the tubing must be inserted firmly to the check valve. Finally safety clips should be inserted onto the check valve again.

To prevent leaks, all connections should be checked.

IMPORTANT NOTE:

Before making any connection please make sure the water tubing is clean, using some water to remove debris which may be present in the tube.

IMPORTANT NOTE:

Water filtration system can be bypassed by removing the filter in case reverse osmosis system or any in-house filtration is used. Filter housing has an automated bypass system.

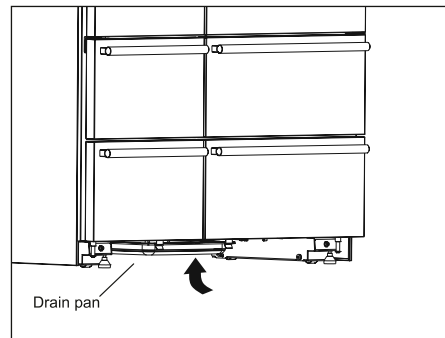
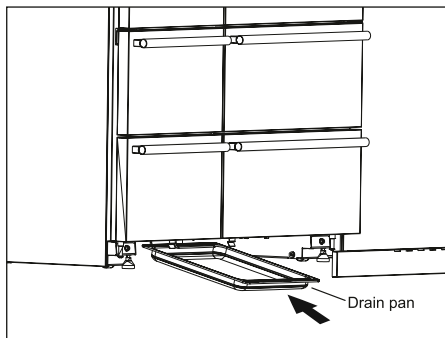
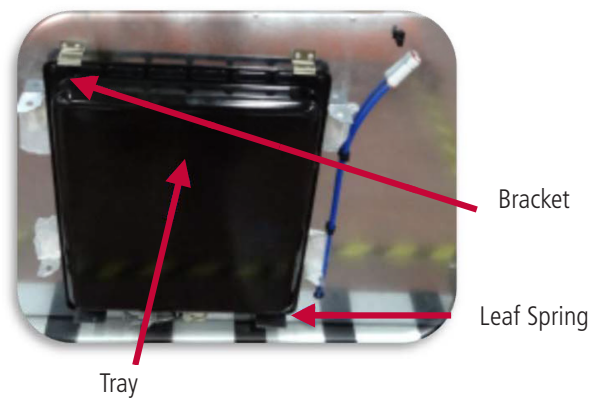
DRAINAGE TRAY ASSEMBLY

- » Remove the tray from the box placed in the bottle tray of the refrigerator.
- » Hold the tray from one positioning side and push it towards the sheet bracket. Place the positioning side on the bracket.
- » Lean the other positioning side to the leaf spring.
- » Raise the tray carefully without losing the adjacency of positioning side to the leaf spring.

IMPORTANT NOTE:

Be sure the tray has been placed both on the bracket and the leaf spring.

View from beneath the fridge:



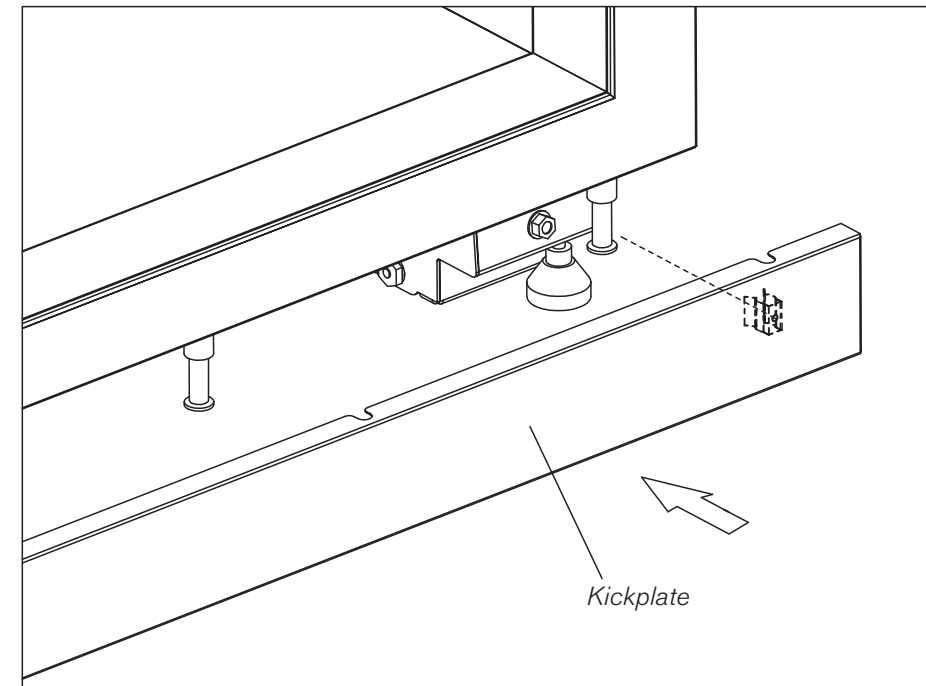
INSTALLING KICKPLATE

Before the installing the kickplate, make sure to put the drain pan back to its original position. The slots on the kickplate should be aligned with the poles. Push the kickplate firmly onto the poles until hearing a "click" sound or until the surface of the kickplate and the main frame are aligned. Please see the illustration below.

The clips must be placed one by one for an easier and convenient installation. An excessive force can damage the kickplate.

IMPORTANT NOTE:

The kickplate must be removable for service. Take caution accordingly.



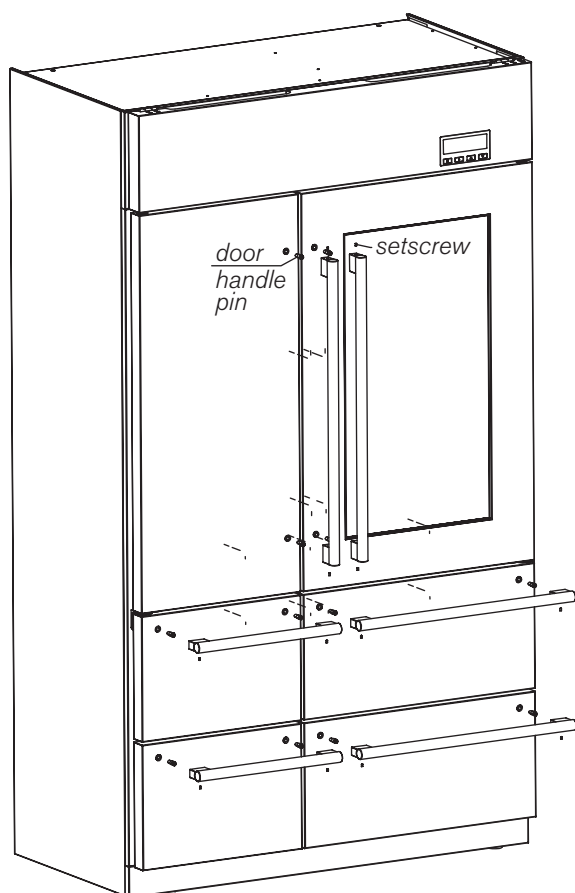
DOOR HANDLE INSTALLATION

The door handle pins must be screwed tightly with a drop of Loctite® 270 on the tooth of the pins. The door handles should be placed and tightened with setscrews on them. This process should be done for both the doors and drawer handles. While processing, be careful not to hit the surface of the refrigerator.

The doors can open up to an angle of 120°.

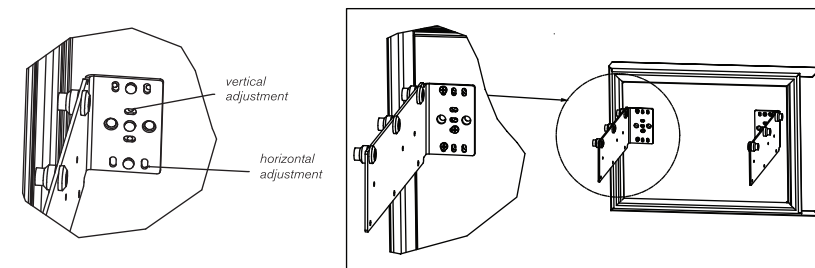
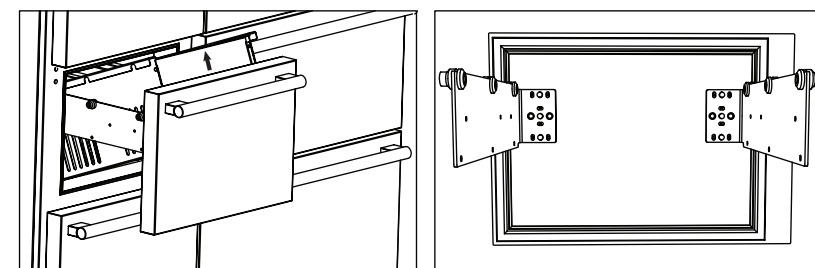
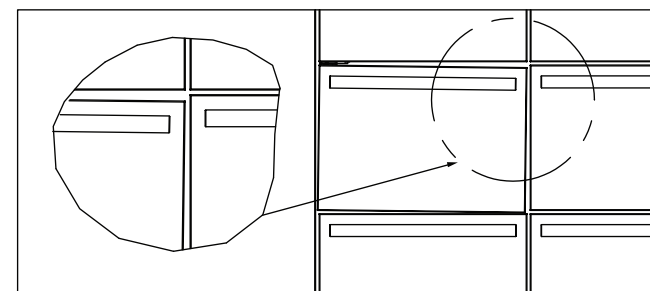
WARNING:

The surface which has setscrew holes for drawer handle must face down.



DRAWER ADJUSTMENT

After installation is completed, if the drawers are not aligned, they can be adjusted horizontally or vertically with the help of adjustment area. The adjustment area is behind the basket. This area is accessible by removing the basket. To shift horizontally, change the position of screws in the middle slots. To shift vertically, change the position of screws in the outer slots. Each slot can shift by 2 mm. Since the holes on the doors are shifted to meet to align only one slot at a time. Please see the illustration below.



OPTIONAL ACCESSORIES

SIDE PANELS

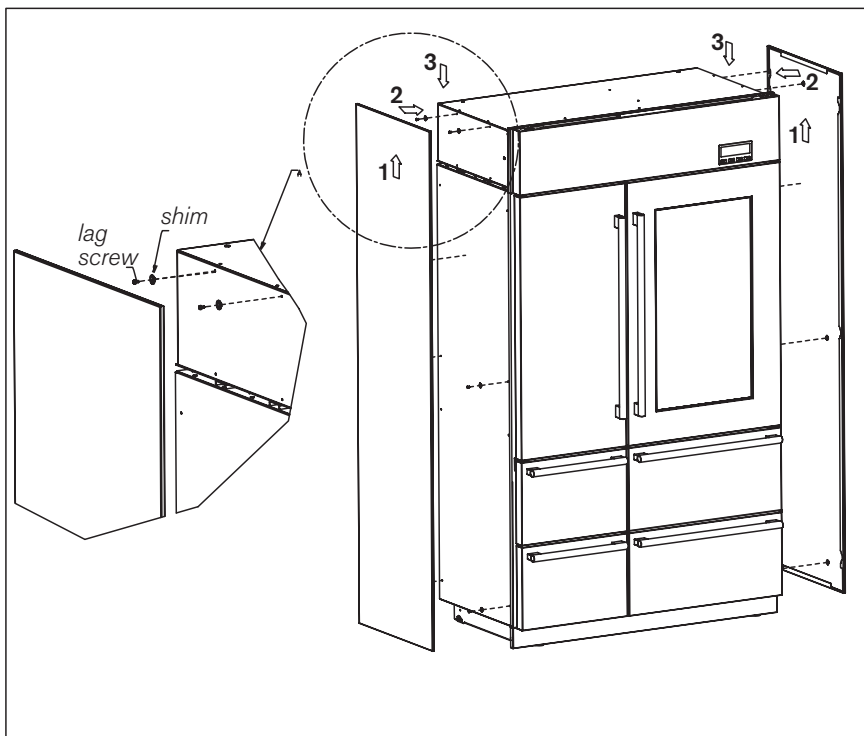
For free-standing installations, stainless steel side panels are available as optional extras through Caple.

Side panels are installed using special screws and shims supplied with the side panels. First lift the side panel up a little. Push and align side panel to the side of the fridge's frame. When aligned pull down the side panel gently till it settles.

Refer to the illustration below.

IMPORTANT NOTE:

Side panels are optional.



WATER FILTRATION SYSTEM

WATER FILTER BYPASS MODE

Water filter is taped at the back of the top cover. After installation is completed, please insert the cartridge to filter housing then turn it to clockwise.

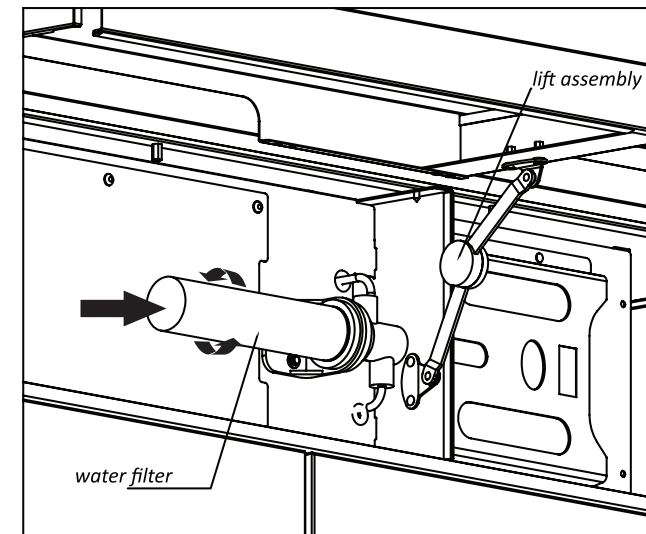
If water filtration is not necessary, the water filter cartridge can be removed or not be installed in the first place. Thus the system can be operated in bypass mode. In this mode, water will be supplied to ice maker without a filtration.

Lift the top cover to access the water filter cartridge. To lift the cover, pull out on the bottom edge of the cover and tilt the cover frame forward. See to the illustration below.

It is advised to put a towel under the water filter cartridge since there is pressure and excess water in the filter. Unfortunately there will be a small amount of water spilling out.

To separate water filter cartridge, rotate it one-quarter turn counter clockwise. Please twist the base of the cartridge slowly to release. Do not pull. See to the illustration.

If the filter cartridge is removed, bypass mode will be activated automatically.





SERVICE INFORMATION

A sophisticated control and data logging system is integrated in the CAFF60. If any malfunction occurs it is wise to contact Caple service. The information kept in the data logger will be used to find and analyse the cause of the malfunction in order to find a pin point solution to fix the unit.

INSTALLATION CHECKLIST

To ensure a safe and proper installation, the following checklist should be completed by the installer to ensure that no part of the installation has been overlooked.

- » Have all packing materials been removed?
- » Is the water supply line connected and not leaking? Is the water supply turned on and ice maker control on?
- » Have the anti-tip brackets been installed securely and properly engaging the unit?
- » Is the unit levelled properly on a solid, level floor?
- » Has the drain pan and kickplate installed?
- » Are panels attached securely and properly aligned? (in free-standing type)
- » Are the door(s) aligned for proper appearance and operation?
- » Has the water filter cartridge been removed (for homes with a reverse osmosis system)?
- » Are all the doors aligned smoothly?

NOTES:





Caple Service

Fourth Way

Avonmouth

Bristol

BS11 8DW

T: 0117 938 1900

E: service@caple.co.uk

www.caple.co.uk

