



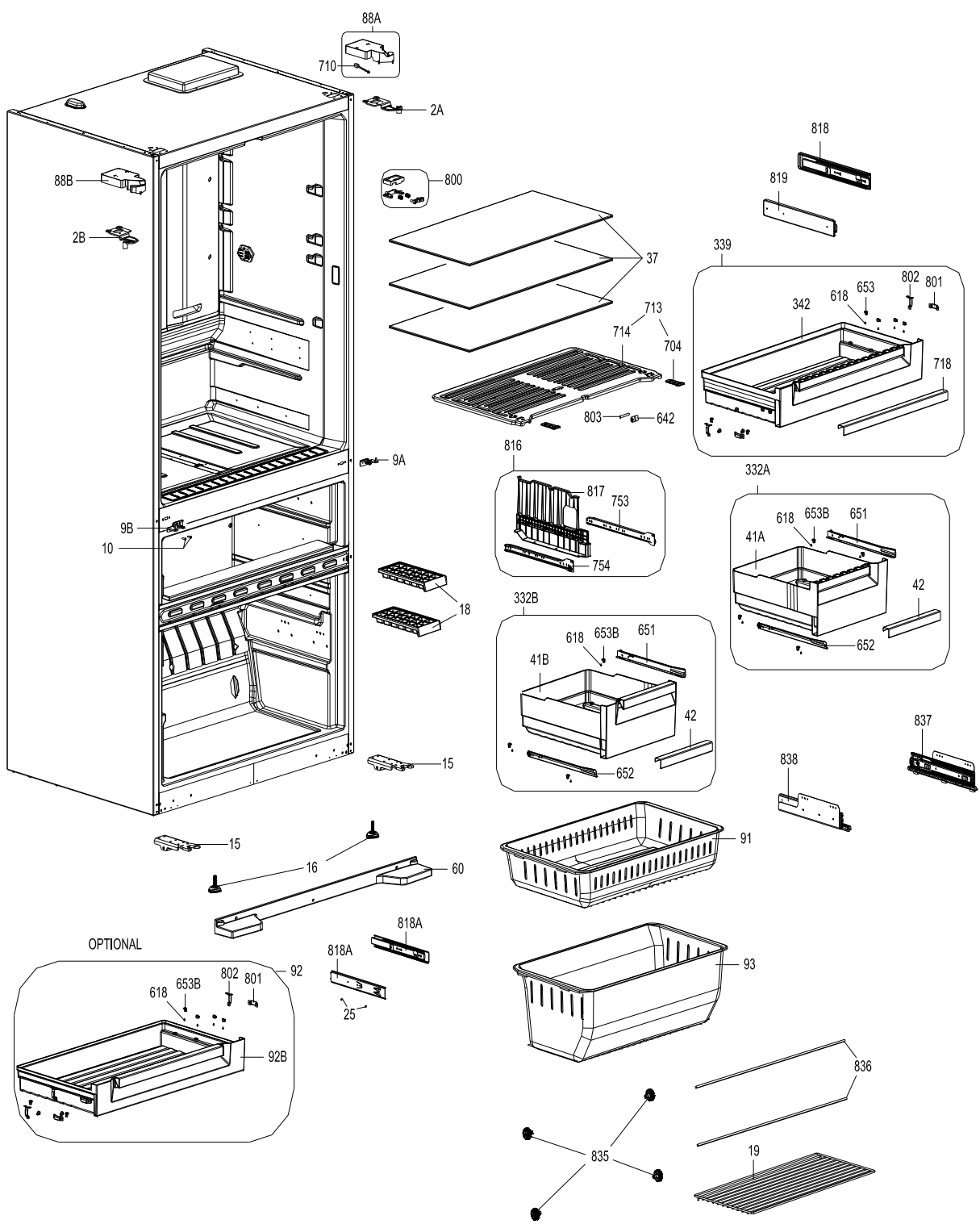
CAFF41

Caple French Door F/Freezer

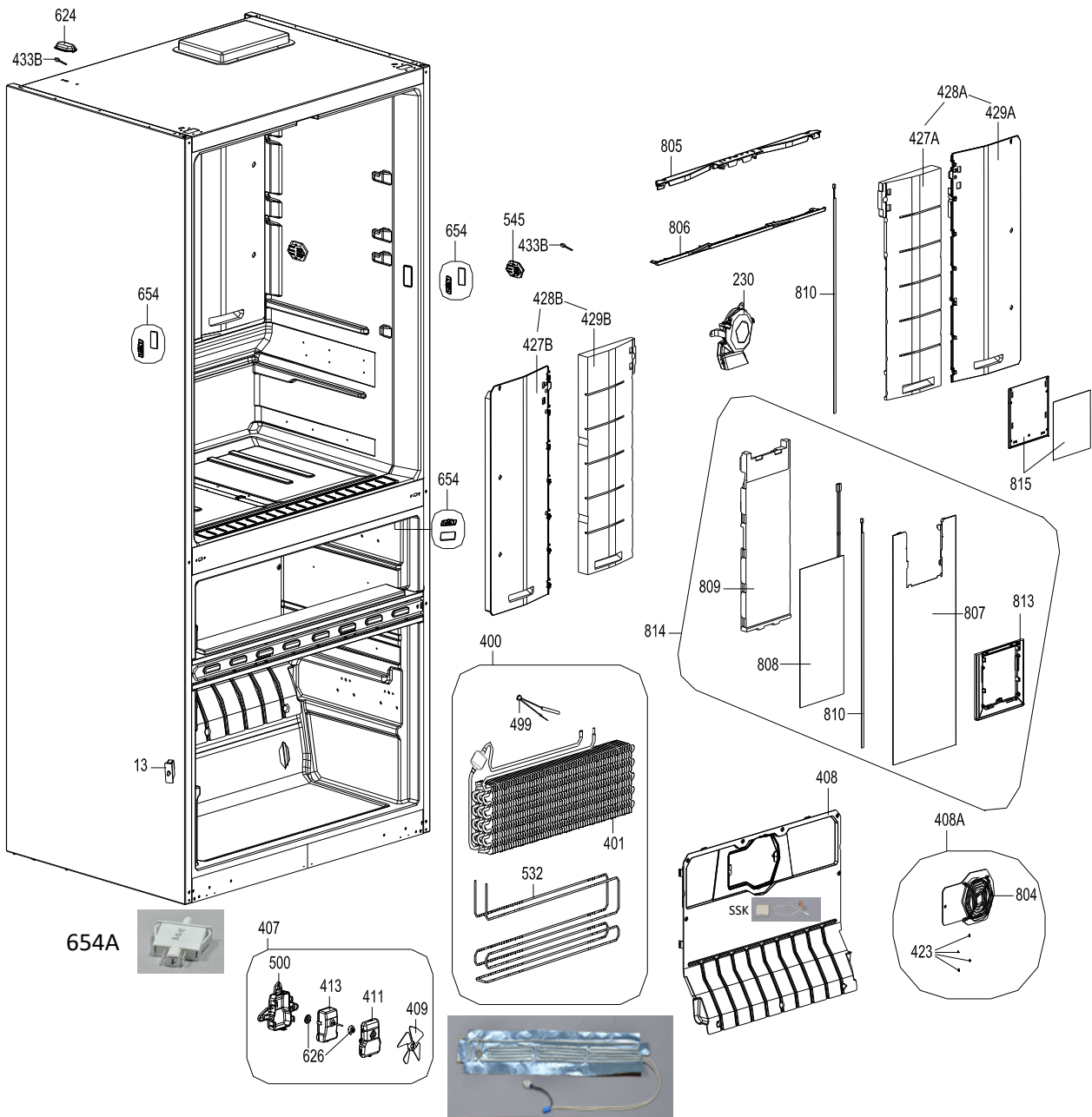


Technical manual

CAFF41  
Caple French Door F/Freezer

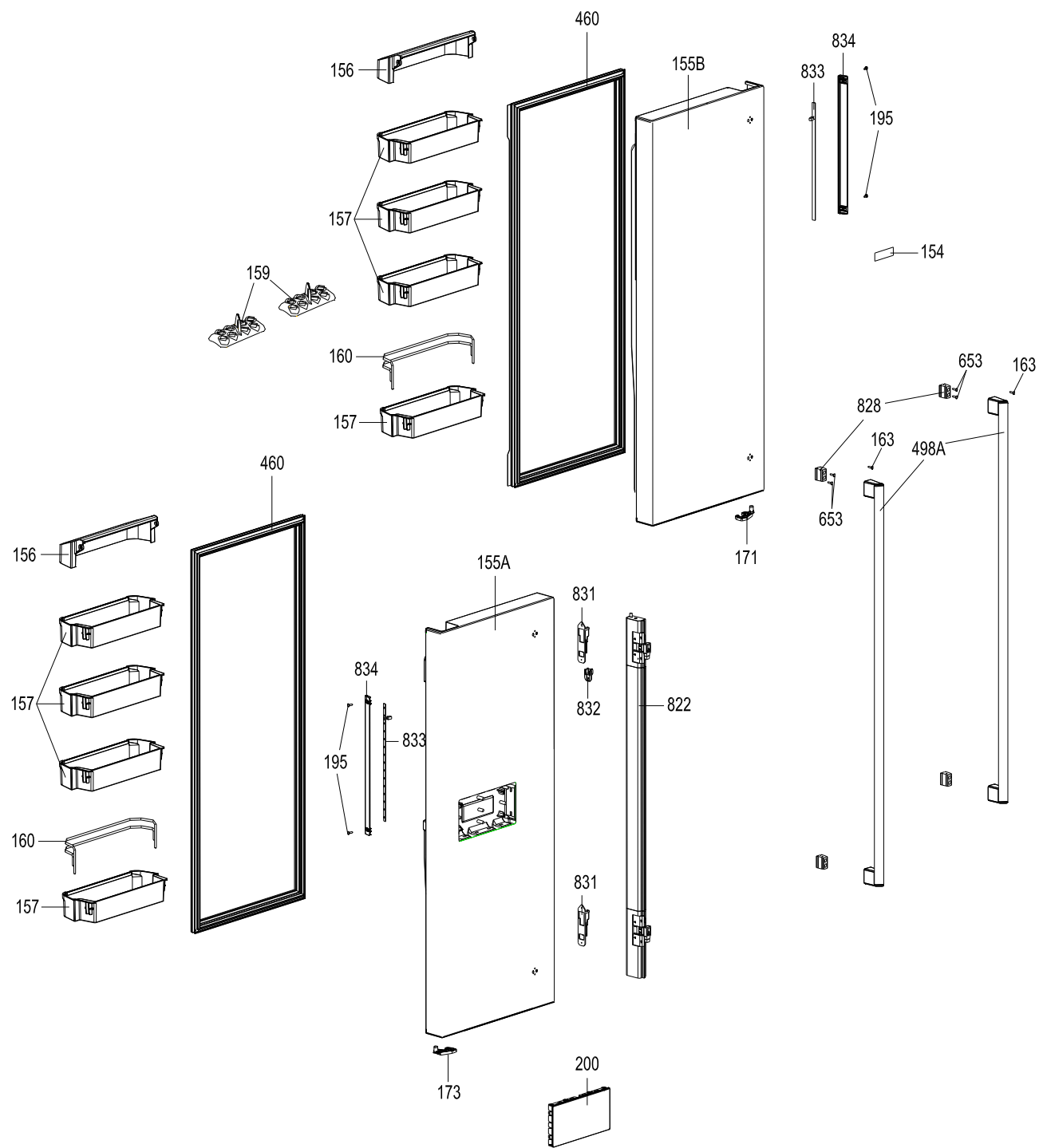


CAFF41  
Caple French Door F/Freezer

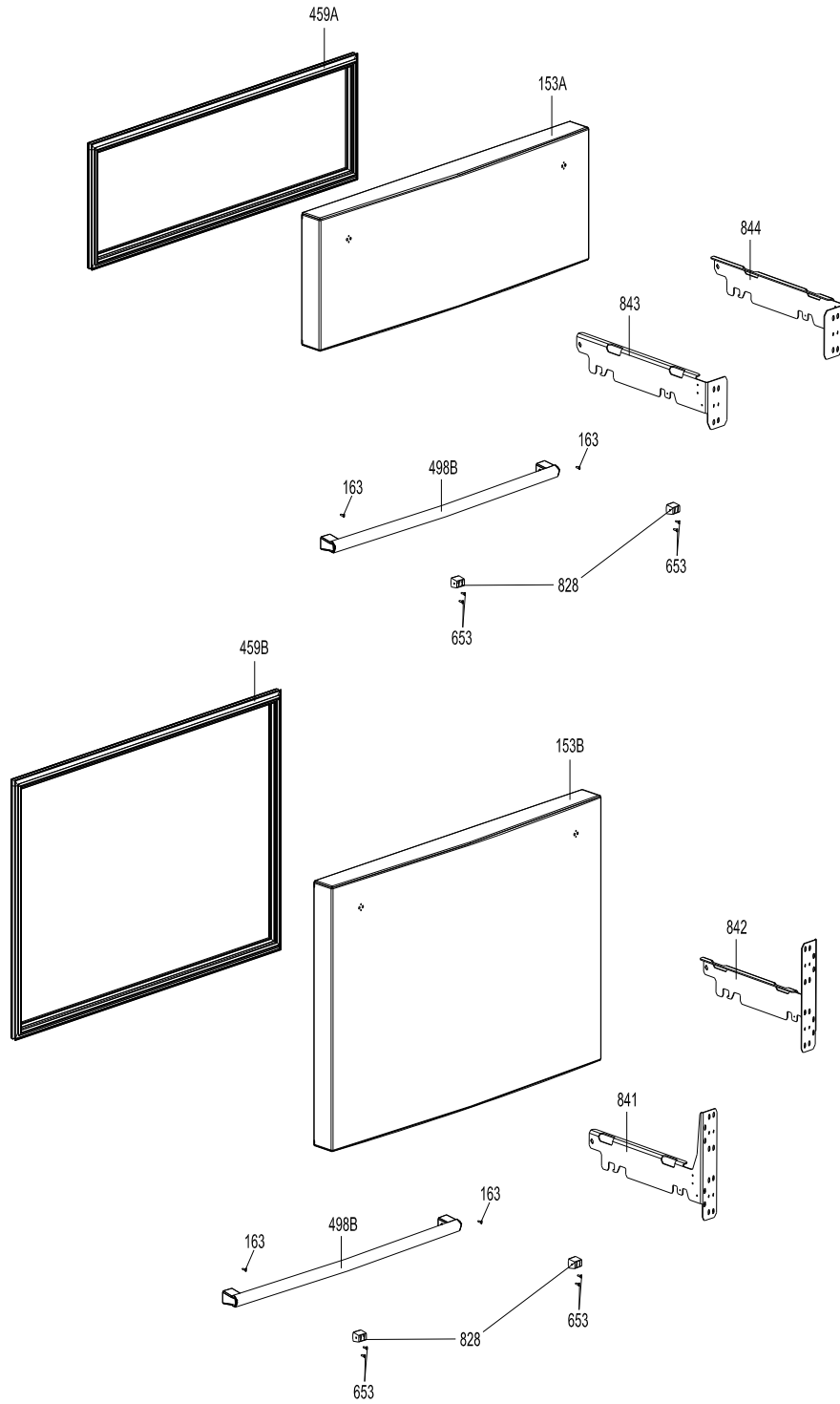


DH

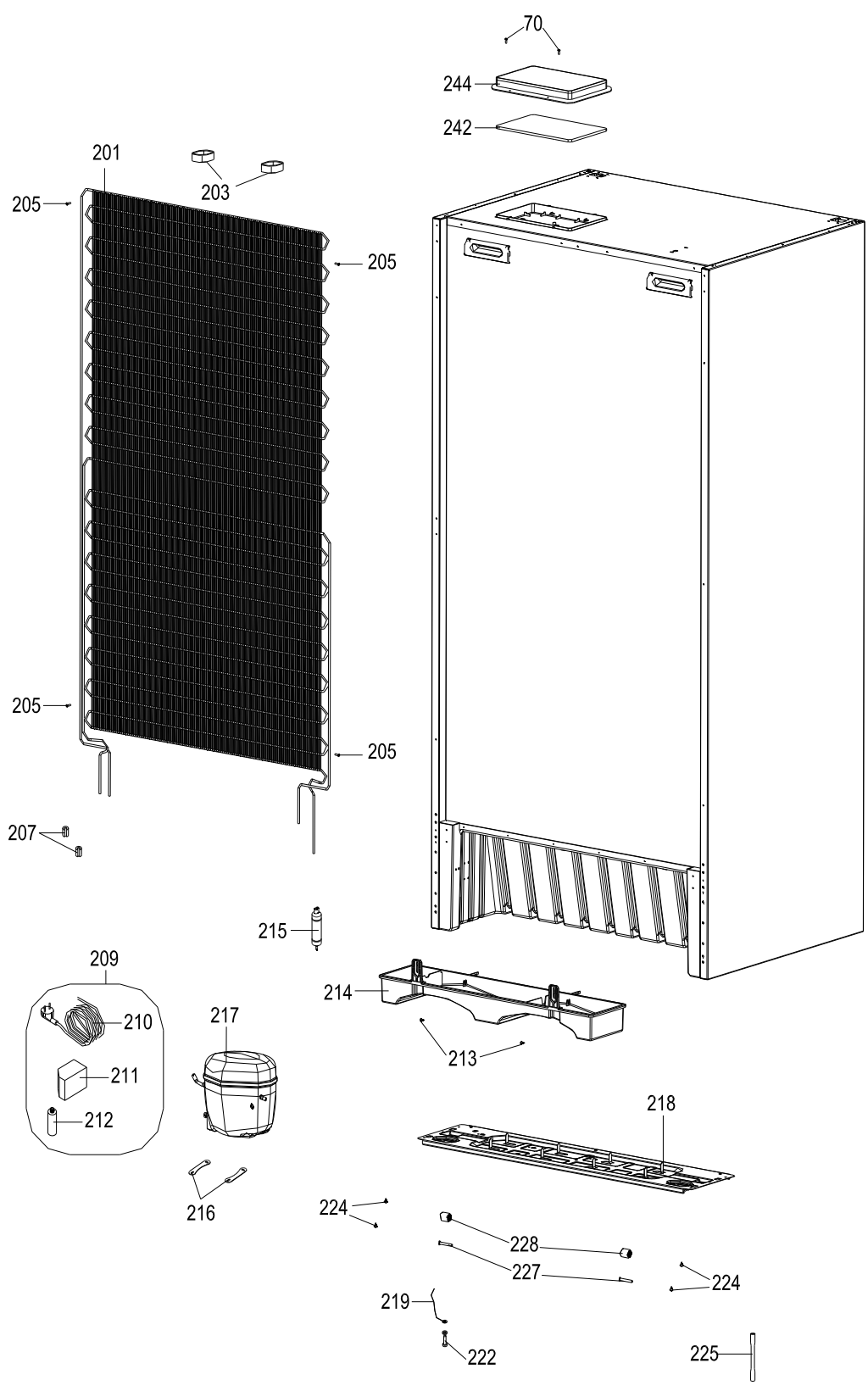
### UPPER DOORS



## BOTTOM DOORS



## CAFF41 Caple French Door F/Freezer





CAFF41

Caple French Door F/Freezer

Item	Component	Description
2A	37026056	TOP HINGE RIGHT 910 SERVICE RV2
2B	37026055	TOP HINGE LEFT 910 SERVICE RV2
7	37032597	SCREW TT M5*16 YSB-F
9A	37022468	MIDDLE HINGE RIGHT 911 RV1
9B	37022469	MIDDLE HINGE LEFT 911 RV1
11	42170935	MIDDLE/HINGE SREW CAP(SMALL)VSG.GRAY
13	32023071	LAMP SWITCH/B30/NO/PIM 11MM/WHITE
15	37030486	BOTTOM HINGE/911 GR. NEW
16	47010430	ADJUSTABLE FOOT M8X35(GRAY)
18	42125774	ICE TRAY COMMON
19	47009810	F SHELF/911
25	35003482	SCREW 40*13 YSB-R-C-INOX
32	35000744	SCREW KA 40*18 YSB-C-INOX
37	47015238	COOLER GLASS SHELF AQUASAFE SRGF/910 RV2
41A	42111087	CRISPER 910-RIGHT(TRANS-WH-GRAY)
41B	42111088	CRISPER 910-LEFT(TRANS-WH-GRAY)
42	37023981	CRISPER PRF SRGF/910 IX(FIRE SAC)
60	42083105	KICK PLATE/911
70	35001678	SCREW KA 40*14 YSB-R-F-INOX
88	42126562	TOP HINGE C./910 RIGHT(DARKGRAMATVER)RV3
88A	42126561	TOP HINGE C./910GR RIG(DARKGRAMATVER)RV3
88B	42126564	TOP HINGE C./910 LEFT(DARKGRAMATVER)RV3
91	42083110	TOP BASK.GR/911 S.W
93	42139067	BOTTOM BASK./911
131	35001721	SCREW KA 40*14 YSB-C-INOX
151	42073883	BUSHING TOP-910(LXG)
153A	20904282	TOP DRAWER/911-FD FLX W.HAND
153B	20904283	BOTTOM DRAWER/911-FD FLX W.HAND
154	47013813	LOGO CAPLE YENI TIP-4
155A	20904280	R DOOR ASSY/911-FD-FLX-LEFT
155B	20904281	R DOOR ASSY/911-FD-FLX-RIGHT
156	42111073	SHELF COVER/910
157	42129034	DOOR SHELF/910 GR.(TRA.-IX PRF)
157	42156823	DOOR SLF/910GR(IX PRF,WH-GRI,FIR)424CAP\$
159	42163485	EGG HOLDER (TRANS.-NAT) RV1
160	47010425	DOOR SHELF 910
163	37012110	SCREW M4*10 YHB-F



CAFF41

Caple French Door F/Freezer

Item	Component	Description
164	42064948	DOOR HANDLE SCREW CAP(S.W)
171	42116228	DOOR CATCHER RIGHT GR/910 (NAT)
173	42116229	DOOR CATCHER LEFT GR/910 (NAT)
195	35007969	SCREW S YSB 3.5*13 C ST SPECIAL
200	32034833	DIS.PA.GR/911(BLA)EN HOTST 11-4 RV1
201	37018897	MAIN CONDENSER/911
203	42118033	SPACER(NAT)
205	35009792	SCREW ST 4.8*13 YSB-T-C
207	42155463	RUBBER CONDANSER MUTUAL ANTIVIBRASYON
208	40017915	CONDANSER HOLDER(2)
209	32027387	SUP.CAB.GR.ZBH1122CY/5UF/2,5M/UK
210	32007439	POWER CORD(2.5m-ENG)
211	32020696	OVER L.GR.ZBH1122CY/B68-120/QP3-12A
211B	42177882	COMP.COVER/JIAXIPERA/24.01.59
212	32010690	CAPACITOR 5UF/400V P2-TIRNAK(6,3*0,8)
213	35000743	SCREW 4.2*9.5 YSB-C
213	37022312	SCREW S YSB 4*12 C ST SPECIAL
214	42083166	EVAPORATING TRAY GR/911(KAR)FR
215	37021265	DRYER(XH9,0.40MM,10GR,I.C.=3,1) SINGLE
216	20020023	COMP FIXING BRACKET
217	32019159	COMP.ZBH1122CY/5MF/B68-120/QP3-12A/JIAX
218	37018198	COMP BASEMENT /910
218A	32032716	VALVE GR BI-STABLE I.C.=2,15(R600A)/520T
219	32036742	EARTH WIRE(PGYB)WASHER/0,50
222	37023688	SCREW TT M4*6 YSB-T-F
224	35000728	SCREW KA 50*14 YSB-F
225	35002664	SERVICE TUBE(105*6*0,7)TYPE B
227	42157011	FRONT/BACK WHEEL PP40KA
228	35000738	REAR WHELL PIN
230	32016134	FAN MOTORU RADYAL-RLS92
242	32019675	MB/BDA10-3/911/R38/VC07-23078046
244	42164516	MAINBOARD COVER GR 910/FR(GRAY)
332A	42111078	CRISPER GR 910-RIGHT(TRANS-GRAY)
332B	42111079	CRISPER GR 910-LEFT(TRANS-GRAY)
339	42173932	CHILLER SHELF GR/910(TRANS-WH-GRI)RV2
342	42111084	CHILLER SHELF /910(TRANS-WH-GRI)
400	20881668	FIN EVAP GR/911/3/TERMAL



CAFF41

Caple French Door F/Freezer

Item	Component	Description
401	37019048	FIN EVAP ASSY/911(3 LINE+W.RESISTANCE)
407	20676833	F FAN MOTOR GR/590UHS(NAT)
408	42083101	F MULTIFLOW GR/911 (S.W.)
408A	42142540	FREEZER AIR DUCK FRONT GR 911 RV1
409	42030263	PROPELLER/590(F.FAN MOTOR)BLACK
411	42031847	F FAN MOTOR COVER/590UHS(NAT)
413	32006707	EVAP FAN MOTOR/391-321-590
423	35003402	SCREW KA 40*8 YSB-F-INOX
427A	52065202	R MULTI FLOW INSULATION RIGHT/910
427B	52218488	REF. AIR DUCT STR LEFT 910 RV1
428A	42126069	R MULTIFLOW RIGHT GR/910 (S.W)RV1
428B	42165757	REF.AIR DUCT LEFT GR.910 RV2
429A	42126063	R MULTIFLOW RIGHT/910 (S.W)RV1
429B	42126067	COOLER AIR DUCT LEFT910(S.W) RV1
433B	32010909	SENSOR/STANDARD/R6K/70MM/SINGLE
449	42033244	R MULTIFLOW CAP/ 640(S.W.)
459A	42083094	TOP DRAWER GASKET/911(VFGRI)
459B	42083098	BOTTOM DRAWER GASKET/911(VFGRI)
460	42077799	R DOOR GASKET/910(VF GRAY)
498A	42186217	D.HANDLE FLX FRML GR T-SHORT(868)CLSIX
498B	42186219	D.HANDLE FLX FRML GR BENDED(767)CLSIX
499	32028176	TERMAL FUSE SINGLE
500	42031850	F FAN MOTOR BOX
532	32019034	FIN EVAP REZS/3SIRA 170W 911
545	42053050	SENSOR COVER/566(S.W.)
588	37022711	SCREW S YPB 4.2*14 C ST
618	37010180	SCREW 30*8 YSB-F-INOX
624	42163920	EMK SENSOR COVER GRAY RV
626	42030205	FREEZER FAN MOTOR RUBBER/590UHS
639	37014368	SCREW ST 4.2*12 OZEL8-C
642	42052437	WHEEL /GK
643	37014537	SCREW TT M5*25 YSB-F
651	37017354	CHILLER RAIL INTERNAL 350 910
652	37017355	CHILLER RAIL INTERNAL 350 910
653	37010281	SCREEW M4*15 YSB-F
653B	42040299	STORAGE BOX RAIL DUBEL/465
654	32033892	REED/SWITCH/GR/PIC
654A	32023071	BOTTOM DRAWER SWITCH



CAFF41

Caple French Door F/Freezer

Item	Component	Description
704	42074085	CRISPER UPPER SHELF CLAMP 910 (S.W.)
710	32013579	NIGHT SENSOR
713	42111074	CRISPER-CHILLER SHELF GR/910
714	42111085	CRISPER-CHILLER SHELF BOTTOM/910
718	37023980	CHILLER PRF SRGF/910 IX(FIRE SAC)
740	37015179	SCREW KA YSB 2.2*5 F ST
753	37017352	CRIS.RAIL OUT (RIGHT)910
754	37017353	CRIS.RAIL OUT (LEFT)910
800	42110561	TRIZ BAR CABINET GR.910(S.W.)RV1
801	37021419	CHILLER RAIL ASSEMBLY SHEET/FRONT
802	37017960	CHILLER RAIL ASSEMBLY SHEET/BACK
803	37018662	ABOVE CRISPER SHELF PIN 910
804	37024005	PROPELLER COVER/5661 RV1
805	42074055	R MULTIFLOW ASSEMBLY PLS.UP 910(S.W)
806	20841526	R MULTIFLOW ASSEMBLY PLS.BOTTOM910(S.W)
806	42074054	R MULTIFLOW ASSEMBLY PLS.BOTTOM910(S.W)
806	42074054	R MULTIFLOW ASSEMBLY PLS.BOTTOM910(S.W)
807	37017345	R MULTIFLOW SHEET 910
808	32017642	R MULTIFLOW RES./12V-3W/910
809	52074016	R MULTI FLOW TOP INSULATION
810	32034617	LED ST/3528*30/9*590MM/12V/910/GOV (I)
811	47008931	MULTI FLOW SPONGE MIDDLE/910
813	42158107	R MULTIFLOW BACK FRAME910(CLSPAINT)
814	42189905	R MULTIFLOW SHEET GR 910/SW
816	42074076	CRISPER MIDWALL GR.910 (S.W)
817	42074077	CRISPER MIDWALL 910 (S.W)
818	37021279	TELESCOPIC RAIL/RIGHT
819	37021280	TELESCOPIC RAIL/LEFT
822	32035507	TRIZ BAR GR.910(S.W PLS S.W SAC)
828	37026946	DOOR HANDLE SUPPORT PART 910 GLXY(SHEET)
829	42146858	DOOR HANDLE FLX CAP(CLS)
831	42074039	HINGE SOCKET HOUSING 910(S.W)
832	42081639	HINGE HOUSING COVER/910 (S.W)
833	32034619	LED ST/3528*15/9*295MM/12V/910/KI (I)
833	32034620	LED STRIP/R INSIDE DOOR GR/910/SW
834	42132624	INSIDE DOOR LED COVER 910 (MILKY) PS
835	47010073	KRAMAYER GEAR/911



CAFF41

Caple French Door F/Freezer

Item	Component	Description
837	37020756	F. BOTTOM RAIL/911 RIGHT (W.O. BRACKET)
838	37020757	F. BOTTOM RAIL/911 LEFT (W.O. BRACKET)
841	37023424	F INNER RAIL BOT LEFT 911(S.W.PAINT)RV1
842	37023425	F INNER RAIL BOT RIGHT 911(S.W.PAINT)RV1
843	37023423	F INNER RAIL TOP LEFT 911(S.W.PAINT)RV1
844	37023422	F INNER RAIL TOP RIGHT 911(S.W.PAINT)RV1
1026	40007341	COMP.RUBBER-DANFOSS
	20883439	SCREW UPP HING COV LEFT 910(35005311)FAN
	20883440	SCREW UPPER HINGE 910(37024764)FANTOM
	47017678	GASKET G VF GREY
	47017678	GASKET G VF GREY
	20910749	PACK. LABEL/911 CAPLE-ING(CAFF41)
	20910753	NAME PLATE/911 CAPLE-ING(CAFF41)
	20910755	ENERGY LBL/911 CAPLE(CAFF41)
DH	32025877	HEATER/230V-30W/911
	35001842	SCREW ST 2.9*9.5 YHB-C
	37008411	STATIONARY FOOT KEY(VF)TALL
	37021951	SCREW ST 2.9*8 YSB-R-F-INOX
	40002315	CABLE HOLDER
	40004104	EVAPORATOR BUTYL RUBBER (2X60X120mm)
	42005007	COMPRESSOR BUTYL RUBBER (2X90X170)
	42082773	DOOR ADJUSTMENT BETWEEN APPARAT 910 SNOW
	37020593	SCREW 50*10 YSB-F
	37023982	DOOR SHELF PRF/910 IX SAC
	42142300	PLS. WASHER NEW RV2
	37023982	DOOR SHELF PRF/910 IX SAC
	42168503	R MULTIFLOW FRONT FRAME GR910(ALUGRPAINT
	47012527	SELF ADHESÄ°VE CAP(13MM)S. WHITE
	50007464	PACKAGE STRIP(0,8MM*11,5MM)
	50008789	CUT PAD(75*50*15,5)
	52032962	DOCUMENTS BAG
	52113234	CYCLO-ISO/ PENTANE LABEL
	52133149	SETUP INSTRUCTION/911-ENG.
	52197191	CAUTION GLASS LABEL/BUSH/CAPLE/VELLUM
	52200654	GUARANTEE LABEL/CAPLE
	52206584	WARRANTY LABEL/CAPLE
	52207854	PAC.BAG.(1750*2100*0,025)910 HISIR



CAFF41

Caple French Door F/Freezer

Item	Component	Description
	52208958	USER'S MANUAL/911-FD CAPLE(CAFF41)
	52211771	VENTILATION INFORMATION PAPER / CAPLE
	52216469	BOTTOM EPS/ONE/PIECE/910/CART/GR
	52227151	DOOR WARNING LABEL/ ENG
	52233902	PACKAGE CARTON/910 ST.CAPLE RV1
	52237480	PRODUCT FICHE/911(A+)10694085
	52243618	TOP EPS/910 RV5
	52243692	FRONT EDGE STR/910 RV4
	52243693	BACK EDGE STR/910 RV2
	52253932	ADDING TO WARS(11.04.2018)COURTYLANGUAGE
	52258590	FRONT PROTECT EPS 911 Y1
SSK	32030727	SENSOR SERVICE KIT