

Free standing fridge freezer instruction manual

CAFF41



CONTENTS

General warnings	3
Old and out-of-order fridges	8
Safety warnings	9
General features	10
Installing and operating your fridge	11
Before operating your fridge	12
Parts of the appliance	13
Electronic display and usage	14
Operating your fridge	15
Storing frozen food	23
Cleaning & maintenance	26
Transportation	26
Troubleshooting	27
Energy saving tips	29
Electrical connection	30
Product Installation Diagrams	31

Please keep this instruction manual for future reference

GENERAL WARNINGS

WARNING:

Keep ventilation openings, in the appliance enclosure or in the built-in structure, clear of obstruction.

WARNING:

Do not use mechanical devices or other means to accelerate the defrosting process, other than those recommended by the manufacturer.

WARNING:

Do not use electrical appliances inside the food storage compartments of the appliance, unless they are of the type recommended by the manufacturer.

WARNING:

Do not damage the refrigerant circuit.

WARNING:

To avoid a hazard due to the instability of the appliance, it must be fixed in accordance with the instructions.

WARNING:

- If your appliance uses R600a as a refrigerant – you can learn this information from the rating label on the cooler- you should be careful during transport to prevent your appliance's cooler elements from being damaged. Although R600a is an environmental friendly and natural gas, as it is explosive, in case of a leakage to be occurred due to a damage in the cooler elements move your fridge from open flames or heat sources and ventilate the room where the appliance is located for a few minutes.
- While carrying and positioning the fridge, do not damage the cooler gas circuit.
- Do not store explosive substances such as aerosol cans with a flammable propellant in this appliance.
- This product is not designed for commercial use, it is a household appliance only. It is not intended to be used in:
 - Staff kitchen areas in shops, offices and other working environments.
 - Bed and breakfast type environments.
 - By clients in hotels, motels and other residential type environments.
- If the socket does not match the refrigerator plug, please contact Caple service. It must be replaced by a Caple approved engineer or similar qualified persons in order to avoid a hazard.

Please keep this instruction manual for future reference

- This appliance is not intended for use by persons (including children) with reduced physical, sensory or mental capabilities, or lack of experience and knowledge, unless they have been given supervision or instruction concerning use of the appliance by a person responsible for their safety. Children should be supervised to ensure that they do not play with the appliance.
- A specially grounded plug has been connected to the power cable of your refrigerator. This plug should be used with a specially grounded socket of 13 amperes. If there is no such socket in your house, please have it installed by an authorised electrician.
- This appliance can be used by children aged from 8 years and above and persons with reduced physical, sensory or mental capabilities or lack of experience and knowledge if they have been given supervision or instruction concerning use of the appliance in a safe way and understand the hazard involved. Children shall not play with the appliance. Cleaning and user maintenance, shall not be made by children without supervision.
- If the supply cord is damaged, it must be replaced by a Caple approved engineer or similar qualified persons in order to avoid a hazard.
- This appliance is not intended for use at altitudes exceeding 2000m.

- When positioning the appliance, ensure the supply cord is not trapped or damaged.
- Do not locate multiple portable socket-outlets or portable power supplies at the rear of the appliance.
- Do not use plug adapter.



Symbol ISO 7010 W021

Warning; Risk of fire / flammable materials



ENVIRONMENTAL PROTECTION

Waste electrical products should not be disposed of with household waste. Please recycle where facilities exist. Check with your Local Authority or retailer for recycling advice. This appliance is marked according to the European directive 2002/96/EC on Waste Electrical and Electronic Equipment (WEEE).

By ensuring this product is disposed of correctly, you will help prevent potential negative consequences for the environment and human health, which could otherwise be caused by inappropriate waste handling of this product. The symbol on the product indicates that this product may not be treated as household waste. Instead it shall be handed over to the applicable collection point for the recycling of electrical and electronic equipment. Disposal must be carried out in accordance with local environmental regulations for waste disposal.

For more detailed information about treatment, recovery and recycling of this product, please contact your local council, your household waste disposal service or the retailer where you purchased the product.

CE DECLARATIONS OF CONFORMITY **CE**

This appliance has been manufactured to the strictest standards and complies with all applicable legislation, Low Voltage Directive (LVD) and Electromagnetic Compatibility (EMC).

Please keep this instruction manual for future reference

OLD AND OUT-OF-ORDER FRIDGES

- If your old fridge has a lock, break or remove the lock before discarding it, because children may get trapped inside it and may cause an accident.
- Old fridges and freezers contain isolation material and refrigerant with CFC. Therefore, take care not to harm the environment when you are discarding your old fridges.

NOTES:

- Please read the instruction manual carefully before installing and using your appliance. Caple cannot be held responsible for damage occurred due to misuse.
- Follow all instructions on your appliance and instruction manual, and keep this manual in a safe place to resolve the problems that may occur in the future.
- This appliance is produced for domestic use only and it can only be used in house and for the specified purposes. It is not suitable for commercial or common use. Such use will cause the guarantee of the appliance to be canceled and Caple will not be responsible for the losses to be occurred.

SAFETY WARNINGS

- Do not use multiple receptacles or extension cord.
- Do not plug in damaged, torn or old plugs.
- Do not pull, bend or damage the cord.
- In case your supply cord is damaged, it should be replaced by Caple service in order to avoid any danger.
- This appliance is designed for use by adults, do not allow children to play with the appliance or let them hang on the door.
- Do not break or scrape ice with sharp objects like a knife or similar.
- Do not plug-in or pull out the plug from the receptacle with wet hands to prevent electrocution!
- Do not place glass bottles or beverage cans in the freezer department. Bottles or cans may explode.
- Do not place explosive or flammable material in your fridge for your safety. Place drinks with higher alcohol amount vertically and by closing their necks tightly in the fridge department.
- When taking ice made in the freezer department, do not touch it, ice may cause ice burns and/or cuts.
- Do not touch frozen goods with wet hands!
- Do not re-freeze frozen goods after being melted. This may cause health issues like food poisoning.
- Fix the accessories in the fridge during transportation to prevent damage to accessories.

Please keep this instruction manual for future reference

GENERAL FEATURES OF THE CAFF41

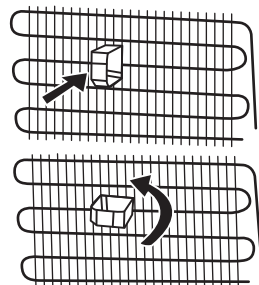
1. When the doors are closed, please check if there are any gaps between door gasket and the body. If there are any gaps, please contact Cable service immediately.
2. When the freezer door is closed, a vacuum is formed. Do not force the door open immediately. Please wait until the pressure has stabilized.
3. Air circulation of the fridge and freezer compartments are not mixed with other compartments thanks to the frost-free technology. This technology stops odors passing through compartments, and also allows vegetables to stay fresh for longer.
4. The fan will often run independently even if the compressor is not running. This maintains a better air circulation, and is energy efficient.
5. Hidden LEDs and hidden air holes give the refrigerator a more appealing appearance.
6. Through a specific air flow design, fans give out cold air from multiple outlets on all shelf levels, maintaining a more consistent temperature throughout.
7. The display edges and corners form a smooth surface against the door and ensure a perfect appearance. Thanks to the touch control panel, temperature controls can be adjusted easily.
8. The interior LED light turns on gradually instead of an sudden flash. The LEDs lights up to 100% brightness within a few seconds after the door is opened.
9. Telescopic rails used in the chiller compartments ensures that the draw operates easily and quietly.
10. The chiller draw is fitted with soft close runners to prevent the door from slamming shut. This function eliminates the risk of the draw staying partially open.
11. Finger print proof doors never leave finger prints thanks to a special layer coated over the stainless steel door

INSTALLING AND OPERATING YOUR FRIDGE

- Before starting to use your fridge, you should pay attention to the following points.
- Operating voltage for your fridge is 220-240 V at 50Hz.

CAUTION! Never replace any electrical parts inside the refrigerator. In cases requiring replacement, contact Caple Service.

- We do not take the responsibility of the damages that occur due to ungrounded usage.
- Place your fridge in a place that it would not be exposed to direct sunlight.
- Install the distance adjustment plastic (the part with black vanes at the rear) by turning it 90° as shown in the figure to prevent the condenser from touching the wall.
- Your appliance should be at least 50 cm away from hobs, ovens and other heater cores, and should be at least 5 cm away from electrical ovens.
- It should never be used outdoors or left in the rain.
- When your fridge is placed next to a deep freezer, there should be at least a 2cm gap between them to prevent humidity on the outer surface.
- Do not place anything on your fridge, and install your fridge in a suitable place so that at least 15 cm is available above it.
- The adjustable front legs should be stabilized at an appropriate height to allow your fridge to operate in a stable and proper way. You can adjust the legs by turning them clockwise (or in the opposite direction). This should be done before placing food in the fridge.
- Before using your fridge, wipe all parts with warm water added with a teaspoon of sodium bicarbonate, and then rinse with clean water and dry. Replace all parts after cleaning.
- No carpets, rugs, etc. which may obstruct air circulation should be laid under the refrigerator.



Please keep this instruction manual for future reference

BEFORE OPERATING YOUR FRIDGE

- When it is operated for the first time or after transportation, keep your fridge in the upright position for 12 hours before turning on to allow efficient operation. Otherwise, you may damage the compressor.
- Your fridge may have a smell when it is operated for the first time; the smell will fade away when your fridge starts to cool.

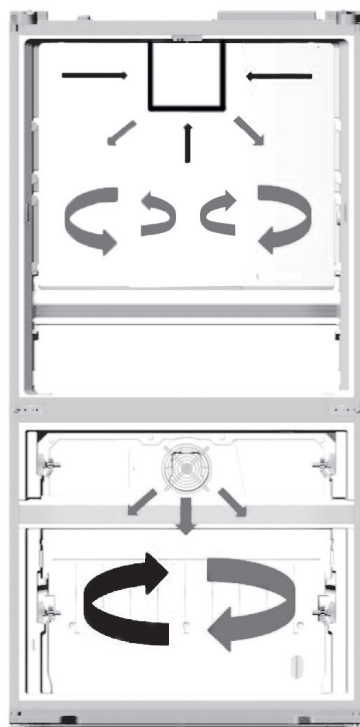
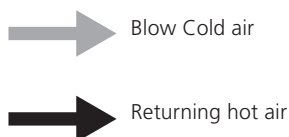
FROST FREE TECHNOLOGY

New No-Frost fridges differ from other static fridges in their operating principle. In normal fridges, the humidity entering the fridge in the door openings and the humidity of the food causes freezing in the freezer compartment. To defrost the snow and ice in the freezer department, you should turn off the fridge, take the food that needs to be kept in a constant temperature off the fridge, and remove the ice gathered in the freezer department periodically.

The situation in the freezer compartment is completely different in no-frost fridges. Dry and cool air is blown through the freezer compartments via fan. Cold air dispersed homogeneously between the shelves cools all your food equally and uniformly, thus prevents humidity and freezing. The freezer compartment is cooled statically. The air is distributed homogeneously between the racks in the cooling section with the fan, and all your foods can be cooled evenly and properly.

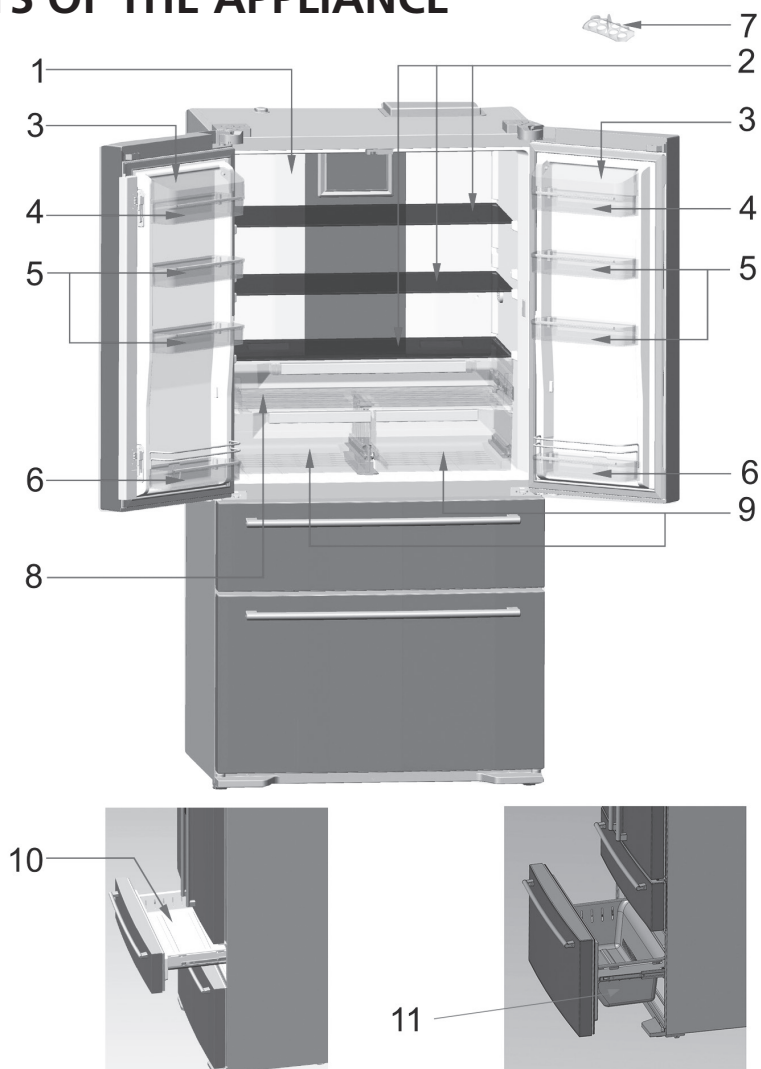
As there is no air passage between the sections, the smells on the 2 different parts of your refrigerator do not mix.

Therefore your new frost-free fridge allows you ease of use, besides its huge volume and stylish appearance.



Please keep this instruction manual for future reference

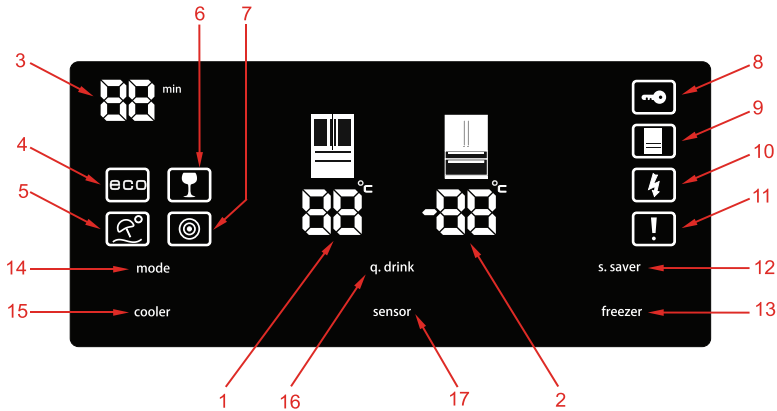
PARTS OF THE APPLIANCE



- | | | |
|-------------------------------|------------------------|---------------------------|
| 1. Fridge compartment | 5. Door shelves | 9. Salad crispers |
| 2. Fridge compartment shelves | 6. Door bottle shelves | 10. Freezer top basket |
| 3. Cheese, butter shelf cover | 7. Egg tray | 11. Freezer bottom basket |
| 4. Cheese, butter shelf | 8. Chiller compartment | |

Please keep this instruction manual for future reference

ELECTRONIC DISPLAY AND USAGE



- | | | |
|--|---------------------------|-------------------------|
| 1. Fridge Compartment Temperature indicator | 6. Qdrink light | 12. Screensaver button |
| 2. Freezer Compartment Temperature indicator | 7. Night sensor indicator | 13. Freezer |
| 3. Qdrink alarm counter | 8. Child lock | 14. Mode button |
| 4. Economy mode | 9. Demo mode | 15. Cooler |
| 5. Holiday mode | 10. Low voltage warning | 16. Qdrink mode |
| | 11. Alarm | 17. Night sensor button |

The values on the screen indicate temperature values specified by the consumer.

Standby display is protected against faulty contact. Therefore, you must touch any key on the display before you take any action. After 2 seconds, a beep will sound and the display will be ready for use. If you wait 20 seconds at the end of the process, display will go back to the same protection case.

NOTE:

Screen protection and child lock can not be used simultaneously.

OPERATING YOUR FRIDGE

Beverage cooling (QDRINK)

This function allows you to store bottled drinks in the freezer to cool them quickly. An alarm sounds to warn you to remove them after a certain period of time.

Qdrink button should be pressed to activate beverage cooling mode. Each press will increase the time for 5 minutes up to 30 minutes, and then it returns to zero. You can view the time zone you want to set on "Qdrink alarm counter" section. Qdrink mode only lets the refrigerator release an audible alert after a specific period.

IMPORTANT:

It should not be confused with cooling.

You must adjust the time according to the temperature of the bottles before you put them in the freezer compartment. For example, you can set the time as "5 minutes" in the beginning. After this time, if the cooling is insufficient, you might set another 5 or 10 minutes. While using this mode, you must check the temperature of the bottles regularly. When the bottles are cool enough, you must take them out of the appliance. If you forget bottles in Q.DRINK mode, bottles may explode.

Economy mode (ECO)

It ensures that your refrigerator runs within ideal temperatures. In order to activate "ECO" mode, you should just press [mode] button until "eco and e" light is on.

Holiday mode (H)

It is represented by an umbrella and sun on the display. If you go on holiday for a long period during which you will not use fridge, you may activate this mode. To switch the appliance to holiday mode, you should just press [mode] button until "holiday symbol and H" light comes on.

Super freeze (SF)

Press the freezer button until "SF" letters are displayed on the display. Once "SF" letters are displayed, a beep sound will be released and after a few seconds the mode will be selected. You can use this mode to freeze prepared meals or freeze large amounts of food quickly. Super freeze mode will automatically be deactivated after 24 hours or once the freezer compartment temperature sensor feels sufficient temperature.

Please keep this instruction manual for future reference

Super cool (SC)

Press the cooler button until “SC” letters are viewed on the display. Once “SC” letters are displayed, a beep sound will be released and after a few seconds the mode will be selected. You can use this mode to cool prepared meals or cool large amounts of food quickly. Super cool mode will be automatically canceled after 4 or 6 hours depending on the environmental temperature or when the cooler compartment reaches a sufficiently low temperature.

Cooler (COOLER)

It is used for temperature setting of cooler compartment. By pressing [cooler] button, you can set the temperature of the cooler to 2, 3, 4, 5, 6, 7, 8 Celcius.

Freezer

It is used for temperature setting of freezer compartment. By pressing [freezer] button, you can set the temperature of the freezer to -16, -17, -18, -19, -20, -21, -22, -23, -24 Celcius.

Child lock (Key Symbol)

In order to activate child lock, you need to press [cooler]+[freezer] buttons simultaneously for 5 seconds. When the child lock is active, other buttons will be deactivated, and therefore changing the settings you have made will be prevented. In order to deactivate child lock, you, again, need to press [cooler]+[freezer] buttons simultaneously for 5 seconds.

Screensaver (SCREEN SAVER)

Thanks to this function that is activated when you press [s.saver] button for 3 seconds, you save energy by utilising digital indicator panel with its lights off. In order to deactivate the mode, repress [s.saver] button for 3 seconds.

Night sensor (NIGHT SENSOR)

Thanks to this function that is activated when you press night sensor [sensor] button for 3 seconds, your refrigerator's lights will be OFF in case of sufficient illumination, therefore you will save energy.

Demo mode

It is a mode used by service and not related to the use of refrigerator.

Alarm

Once an alarm light comes on, you should contact Caple service. If you press [s.saver] button when there is an alarm and an exclamation mark on the display, the alarm sound will turn off, however the exclamation mark will stay on the digital indicator panel until the error is fixed.

Compartment On-Off mode

You can completely turn off a compartment you do not need or want by following the below instructions.

In order to turn off the cooler, hold [mode] and [cooler] buttons pressed simultaneously for 5 seconds, and all figures indicating the part turned off will disappear on the digital indicator panel.

In order to reactivate the turned-off compartment, use the same combination of buttons.

Warnings about Temperature Adjustments

- Your temperature adjustments will not be deleted when a power cut occurs.
- It is not recommended that you operate your fridge in environments colder than 16°C in terms of its efficiency.
- Temperature adjustments should be made according to the frequency of door openings, the quantity of food kept inside the fridge and ambient temperature of the place of your fridge.
- Your fridge should be operated up to 24 hours according to the ambient temperature without interruption after being plugged in to be completely cooled. Do not open doors of your fridge frequently and do not place much food inside it during this period.
- A 5 minute delaying function is applied to prevent damage to the compressor of your fridge, when you take the plug off and then plug it in again to operate it or when a power cut occurs. Your fridge will start to operate normally after 5 minutes.
- Your fridge is designed to operate in the ambient temperature intervals stated in the standards, according to the climate class stated in the information label. We do not recommend operating your fridge out of stated temperatures value limits in terms of cooling effectiveness. Your CAFF41 is designed to be used in climate class T & N.

Please keep this instruction manual for future reference

- This appliance is designed for use at an ambient temperature within the 16°C - 43°C range.

CLIMATE CLASS	AMBIENT TEMPERATURE °C
T	Between 16 and 43 (°C)
ST	Between 16 and 38 (°C)
N	Between 16 and 32 (°C)
SN	Between 10 and 32 (°C)

NOTE:

If the ambient temperature is higher than 38°C, the compartment temperature cannot be set to -22°C, -23°C or -24°C. It can only be set to -16°C, -17°C, -18°C, -19°C, -20°C or -21°C.

ACCESSORIES

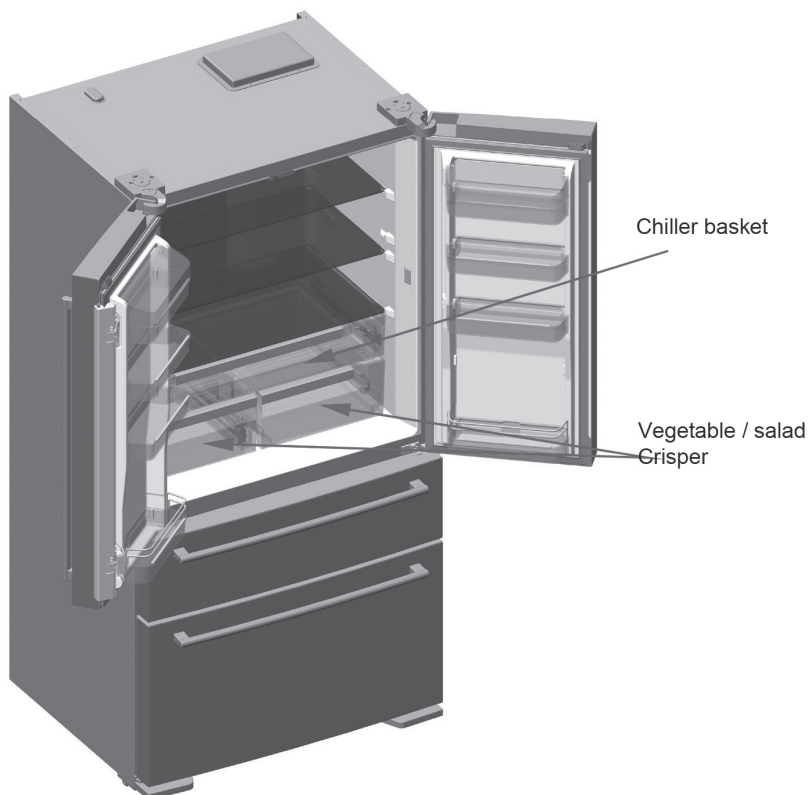
Icebox

- Fill $\frac{3}{4}$ of icebox with water and insert it.
- You can take ice out after approximately 2 hours.

NOTE:

When placing the icebox after filling with water, make sure that you position it horizontally without tilting. Otherwise, water inside icebox may pour on the basket.

VEGETABLE / SALAD CRISPER AND CHILLER BASKETS



Chiller basket

When this compartment is used as 0°C compartment (chiller), it ensures that your food is preserved at 0°C. You can keep the frozen foods that you take out of the deepfreeze compartment in order to defrost them or you can keep the meats and cleaned fishes (in plastic bags or packets) etc. which you will use within 1-2 days without need for freezing.

NOTE:

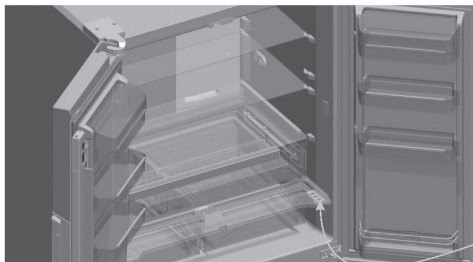
Water is frozen in 0°C but the foods including salt or sugar can be frozen in colder environments.

Please do not put the food you would like frozen or iceboxes in this partition.

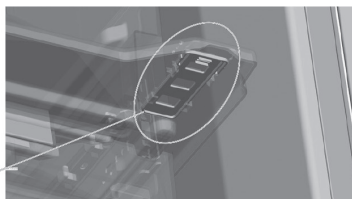
Please keep this instruction manual for future reference

CRISPER AIR SETTING BUTTON

Turn the air adjustment knob between crisper and chiller to open position when the crisper is filled excessively. This way, the air intake into the crisper is adjusted and food remains fresh for a longer period of time.



Crisper air adjustment button



COOLER COMPARTMENT

- Under normal operation conditions, it is suitable to set the temperature of the cooler compartment to +4 /+6c.
- In order to avoid frosting, humidification and odour, food should be placed in the fridge in closed containers or covered with appropriate material.
- Hot food and beverages should be cooled to room temperature before being placed in the fridge.
- Vegetables and fruits can be placed into the crisper without packaging.

IMPORTANT NOTE:

- Cover liquids and stews when you put them in the fridge. Otherwise, the humidity amount inside the fridge increases and this causes the fridge to operate more. Covering the food and beverages also allow you to protect their taste and flavour.
- Potatoes, onion and garlic shouldn't be kept in the fridge.

Some suggestions on the placing and storing of your food in the fridge compartment are supplied below.

Food	Maximum Storing time	Where to place in the fridge department
Vegetables and fruits	1 week	Vegetable bin (without being wrapped)
Meat and fish	2 - 3 days	Wrapped in plastic foil, bags or in a meat container (on the glass shelf)
Fresh cheese	3 - 4 days	In special door shelf
Butter and margarine	1 week	In special door shelf
Bottled products milk and yoghurt	Until the expiry date recommended by the producer	In special door shelf
Eggs	1 month	In the egg shelf
Cooked food		All shelves

Please keep this instruction manual for future reference

FREEZER COMPARTMENTS

- The freezer compartment is used for storing frozen foods for a long time or for producing ice.
- If you leave the door of freezer open for a long time, frosting will appear on the lower stage of freezer. Thus, air circulation will be obstructed. In order to avoid this, first unplug the cord and wait until thawed. After ice melts, you should clean the freezer.
- You can take off baskets, cover, etc. to increase storing volume of freezer.
- Volume specified on the product label shows the value without baskets, covers, etc.

IMPORTANT

Please never refreeze frozen food after thawing them.

It may be hazardous to your health as it may lead to food poisoning.

- Do not place hot food in the freezer before cooling them. This may cause other frozen food in the freezer to get decayed.
- When buying frozen food, make sure that it was frozen under appropriate conditions and its package is not torn.
- In case of humidification on package of frozen food and a smelly odour, food may have been stored under inappropriate conditions beforehand and it may have become decayed. Do not buy those kinds of food.
- Storing time for frozen food may differ according to the ambient temperature, frequency of door openings, thermostat adjustments, type of food and the time between the buying of the food and placing of the food in the freezer. Always follow instructions on the package and do not exceed storing period.

Some spices in cooked food (aniseed, basil, dill, vinegar, spice mix, ginger, garlic, onion, mustard, thyme, marjoram, black pepper, bologna sausage etc.) may have a foul taste when stored for a long time. Therefore, frozen food should be spiced just a little or spice should be added after the food is thawed.

The storing time for the food depends on the oil used. Margarines, veal fat, olive oil and butter are suitable, peanut oil and lard are not suitable.

Cooked food in liquid form should be frozen in plastic containers, other food should be frozen wrapped in plastic foil or in plastic bags.

Some suggestions on the placing and storing of your food in the freezer compartment are supplied pages 23, 24 and 25.

Please keep this instruction manual for future reference

STORING FROZEN FOOD

Meat and Fish	Preparation	Maximum Storing time (months)
Steak	Wrapped in foil	6 - 10
Lamb meat	Wrapped in foil	6 - 8
Veal roast	Wrapped in foil	6 - 10
Veal cubes	In small pieces	6 - 10
Lamb cubes	In pieces	4 - 8
Minced meat	In packages without using spices	1 - 3
Giblets (pieces)	In pieces	1 - 3
Bologna sausage/ salami	Should be packaged even if it has membrane	4 - 6
Chicken and turkey	Wrapped in foil	7 - 8
Goose and Duck	Wrapped in foil	4 - 6
Deer, Rabbit, Wild Boar	In 2.5 kg portions and as fillets	9 - 12
Freshwater fishes (Salmon, Carp, Crane, catfish)	After cleaning the bowels and scales of the fish, wash and dry it; and if necessary, cut the tail and head.	2
Lean fish; bass, turbot, flounder		4 - 8
Fatty fishes (Tuna, Mackarel, bluefish, anchovy)		2 - 4
Shellfish	Cleaned and in bags	4 - 6
Caviar	In its package, aluminium or plastic container	2 - 3

NOTE:

Frozen meat should be cooked as fresh meat after being thawed. If the meat is not cooked after being thawed, it should never be frozen again.

Vegetables and Fruits	Preparation	Maximum Storing time (months)
String beans and beans	Wash and cut to small pieces and boil in water	10 - 13
Beans	Hull and wash and boil in water	12
Cabbage	Cleaned and boil in water	6 - 8
Carrot	Clean and cut to slices and boil in water	12
Pepper	Cut the stem, cut into two pieces and remove the core and boil in water	8 - 10
Spinach	Washed and boil in water	6 - 9
Cauliflower	Take the leaves apart, cut the heart into pieces, and leave it in water with a little lemon juice for a while	10 - 12
Aubergine	Cut to pieces of 2cm after washing	10 - 12
Corn	Clean and pack with its stem or as sweet corn	12
Apple and pear	Peel and slice	8 - 10
Apricot and Peach	Cut into two pieces and remove the stone	4 - 6
Strawberry and Blackberry	Wash and hull	8 - 12
Cooked fruits	Adding 10 % of sugar in the container	12
Plum, cherry, raspberry	Wash and hull the stems	8 - 12

Please keep this instruction manual for future reference

Dairy Products	Preparation	Maximum Storing time (months)	Storing Conditions
Packet (Homogenize) Milk	In its own packet	2 - 3	Pure Milk – In its own packet
Cheese excluding white cheese	In slices	6 - 8	Original package may be used for short storing period. It should be wrapped in foil for longer periods.
Butter, margarine	In its package	6	

	Maximum Storing time (months)	Thawing time in room temperature (hours)	Thawing time in oven (minutes)
Bread	4 - 6	2 - 3	4 - 5 (220-225°C)
Biscuits	3 - 6	6 - 8	5 - 8 (190-200°C)
Pastry	1 - 3	6	5 - 10 (200-225°C)
Pie	1 - 1,5	3 - 4	5 - 8 (190-200°C)
Phyllo dough	2 - 3	1 - 1,5	5 - 8 (190-200°C)
Pizza	2 - 3	2 - 4	15 - 20 (200°C)

Please keep this instruction manual for future reference

CLEANING & MAINTENANCE

- Make sure to unplug the fridge before starting to clean it.
- Do not wash your fridge by pouring water on to, or inside it.
- You can wipe the inner and outer sides of your appliance with a soft cloth or a sponge using warm and soapy water.
- Remove the parts individually and clean with soapy water. Do not wash in dishwasher.
- Never use flammable, explosive or corrosive material like thinner, gas, acid for cleaning.
- The condenser (the back part with black wings) should be cleaned using a vacuum cleaner or a dry brush at least once a year. This will help your freezer to operate more efficiently and will enable you to save energy.

Cleaning evaporation bowl

Your fridge defrosts automatically. Water produced by defrosting flows to evaporating container passing through water collecting groove, and vaporizes here by itself.

REPLACING LED LIGHTS

For replacing LED lights used for illumination, please contact Caple service or suitably qualified personnel. Do not attempt to change these yourself.

TRANSPORTATION






- Original package and foam may be kept for retransportation (optionally).
- You should fasten your fridge with thick packaging, bands or strong cords and follow the instructions for transportation on the package for re-transportation.
- Remove movable parts (shelves, accessories, vegetable bins etc.) or fix them into the fridge against shocks using bands during re-positioning and transportation
- An ambient sensor, main board and hinge covers are available on your refrigerator. During transportation, make sure no fluid enters these

Carry your fridge in the upright position.

Please keep this instruction manual for future reference

TROUBLESHOOTING

Your fridge warns you if the temperatures for cooler and freezer are at improper levels or when a problem occurs in the appliance. You can see these warnings on the indicator display.

Error Type	Error Type	Why	What To Do
 <p>and audible warning</p>	Error warning	One or more piece of equipment has been deactivated or there is cooling problem.	Call Caple service for assistance as soon as possible.
	Freezer compartment is not cold enough	May arise due to longperiod energy cut-off or failure of cooling equipment.	<ol style="list-style-type: none"> 1. In case of melted product in compartment, do not refill and consume up as soon as possible. 2. Until temperature of compartment returns to normal (warning disappears), operate in a lower temperature or in Super Freeze Mode. 3. Do not place fresh food in compartment unless this warning disappears.
	Freezer compartment is not cold enough	Cooler has lost its ideal temperature.	<ol style="list-style-type: none"> 1. Until temperature of compartment returns to normal (warning disappears), operate in a lower temperature or in Super Cool Mode. 2. Do not open door until this error disappears
	Cooler compartment has overcooled	Products in the cooler compartment are at risk of freezing.	<ol style="list-style-type: none"> 1. If Super Cool is active, cancel it. 2. Operate under lower setting value.
	Mains voltage has decreased under 170V.	This is not an error, it is intended for warning and precaution. When mains voltage restores to normal value, the warning will disappear.	

Please keep this instruction manual for future reference

IMPORTANT NOTES:

- After sudden power breakdowns or after unplugging the appliance, Thermal protector will cut off the power of compressor temporarily because the gas in the cooling system is not stabilized yet. Your fridge will start after 4 or 5 minutes, there is nothing to worry about.
- If you will not use your fridge for a long time (e.g. in summer holidays) unplug it. After defrosting, clean your fridge and leave the door open to prevent humidity and smell.
- If the problem persists after you have followed all the instructions above, please contact Caple service.
- The appliance you bought is designed for domestic use and can be used only at home and for the stated purposes. It is not suitable for commercial or common use. If the consumer uses the appliance in a way that does not comply with these features, we emphasize that the Caple and the dealer shall not be responsible for any repair and failure within the guarantee period.

ENERGY SAVING TIPS

1. Place your appliance in a cool and well-ventilated room, avoid placing towards direct sunlight or near heat sources (radiator, oven, etc.). Otherwise, use insulation plate.
2. Allow hot food and drinks to cool down outside the appliance.
3. Place frozen food in refrigerator for thawing. When frozen food is thawed, its lower temperature will help refrigerator cool down. Thus, energy will be saved. Putting frozen food outside will cause waste of energy.
4. When putting drinks and homemade food into refrigerator, make sure that they are in an enclosed bowl. Otherwise, humidity in the appliance will rise. This will make operation time longer. Preserving drinks and homemade food in enclosed bowls will also avoid deterioration of odours and tastes.
5. When putting drinks and food in the refrigerator, leave door of appliance open for as short time as possible.
6. Keep compartments with different temperature values in the appliance closed. (crisper, chiller compartment, etc.)
7. Door gasket should be clean and flexible. Replace old gaskets.
8. Night sensor in active mode will lead to energy saving.

ELECTRICAL CONNECTION (FOR UK 3 PIN PLUG)

For your safety please read the following information

WARNING:

This appliance must be earthed.

This appliance operates from 220-240 volts and should be protected by a 13 amp fuse in the plug.

The appliance is supplied with a standard 13 amp 3-pin mains plug fitted with a 13-amp fuse. Should the fuse require replacement, it must be replaced with a fuse rated at 13 amp and approved to BS1362.

If the mains plug which is fitted is unsuitable for the socket outlet in your home or is removed for any other reason, please follow the instructions below on how to wire a 13 amp 3 pin plug.

HOW TO WIRE A 13 AMP PLUG.

IMPORTANT:

The wires in the mains lead on this appliance are coloured in accordance with the following code:

Green and Yellow - Earth

Blue – Neutral

Brown – Live

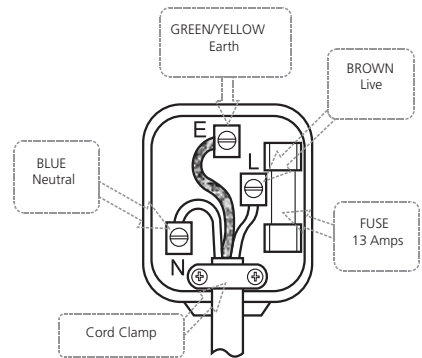
As the colours may not correspond with the markings identifying the terminals in your plug proceed as follows.

The green and yellow wire must be connected to the terminal in the plug which is marked with the letter E or with the earth symbol \perp or coloured green and yellow.

The blue wire must be connected to the terminal marked N.

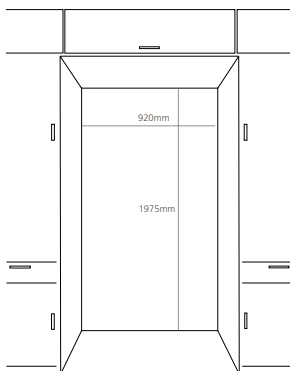
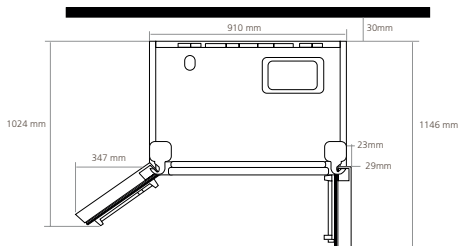
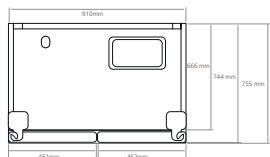
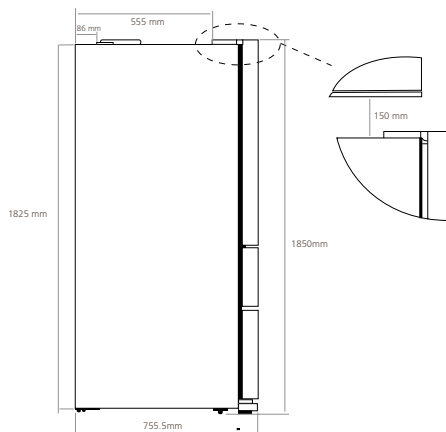
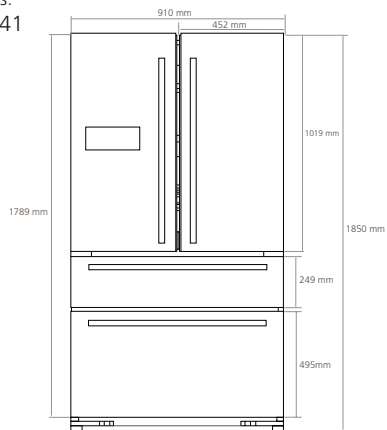
The brown wire must be connected to the terminal marked L.

You must make sure the lead is firmly secured under the cord clamp.



Product installation diagrams

Models:
CAFF41



Please keep this instruction manual for future reference

Caple Service
Fourth Way
Avonmouth
Bristol
BS11 8DW

t: 0117 938 7420
e: service@caple.co.uk
www.caple.co.uk

Please keep this instruction manual for future reference