



# C2238

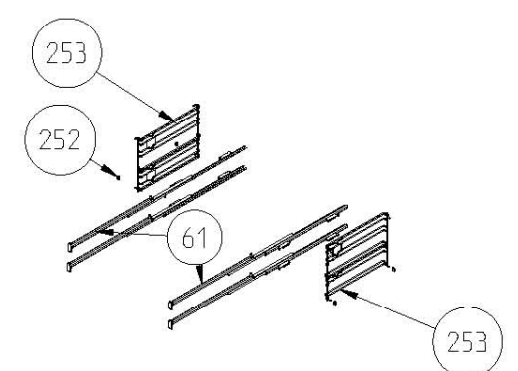
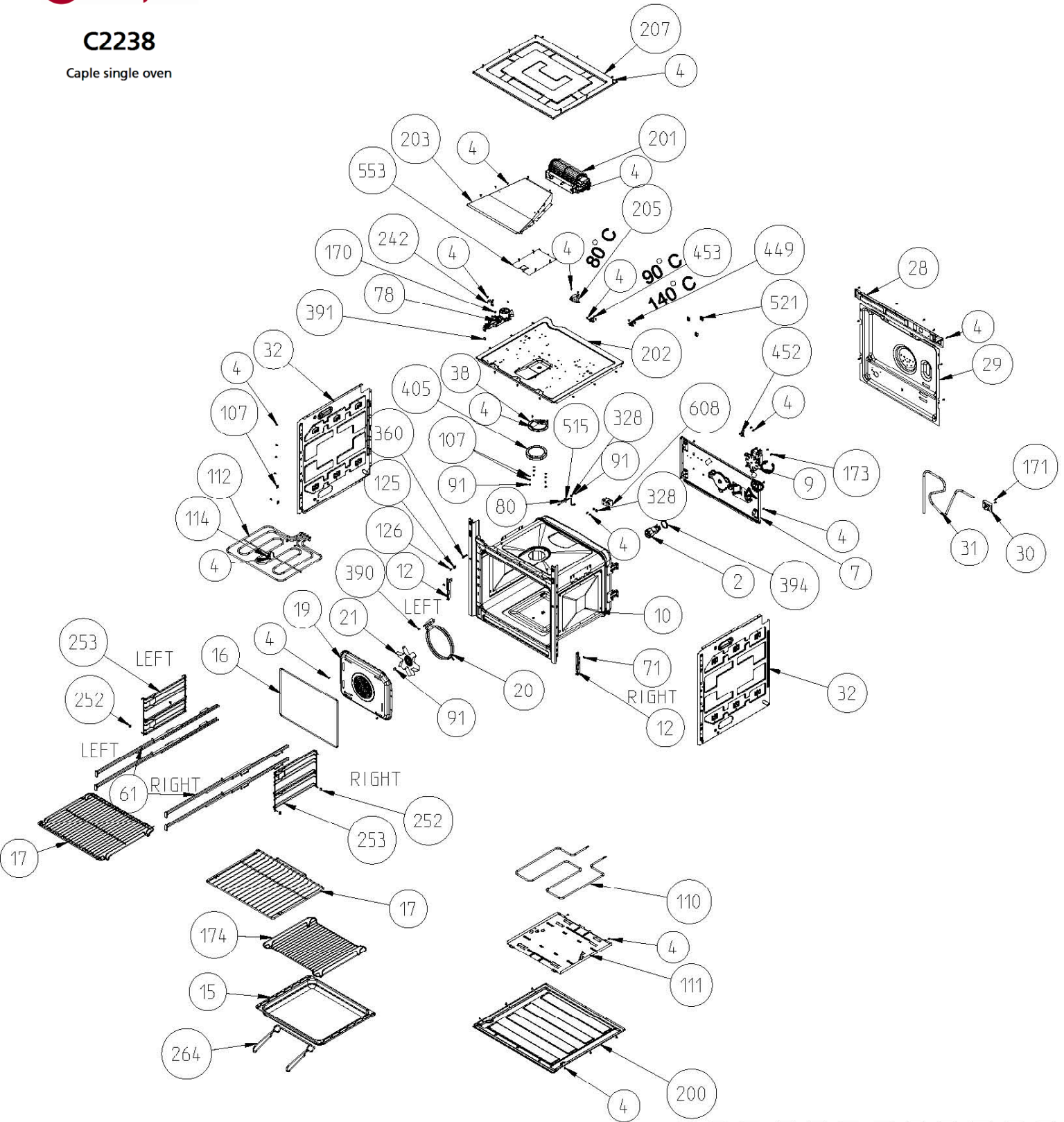
Caple pyrolytic single oven



## Technical information

**C2238**

Caple single oven



GROUP POSITION NUMBER :585  
WIRE SHELF (FULL EXTENSION)

Diagram 1

# C2238

Caple single oven

Diagram 2

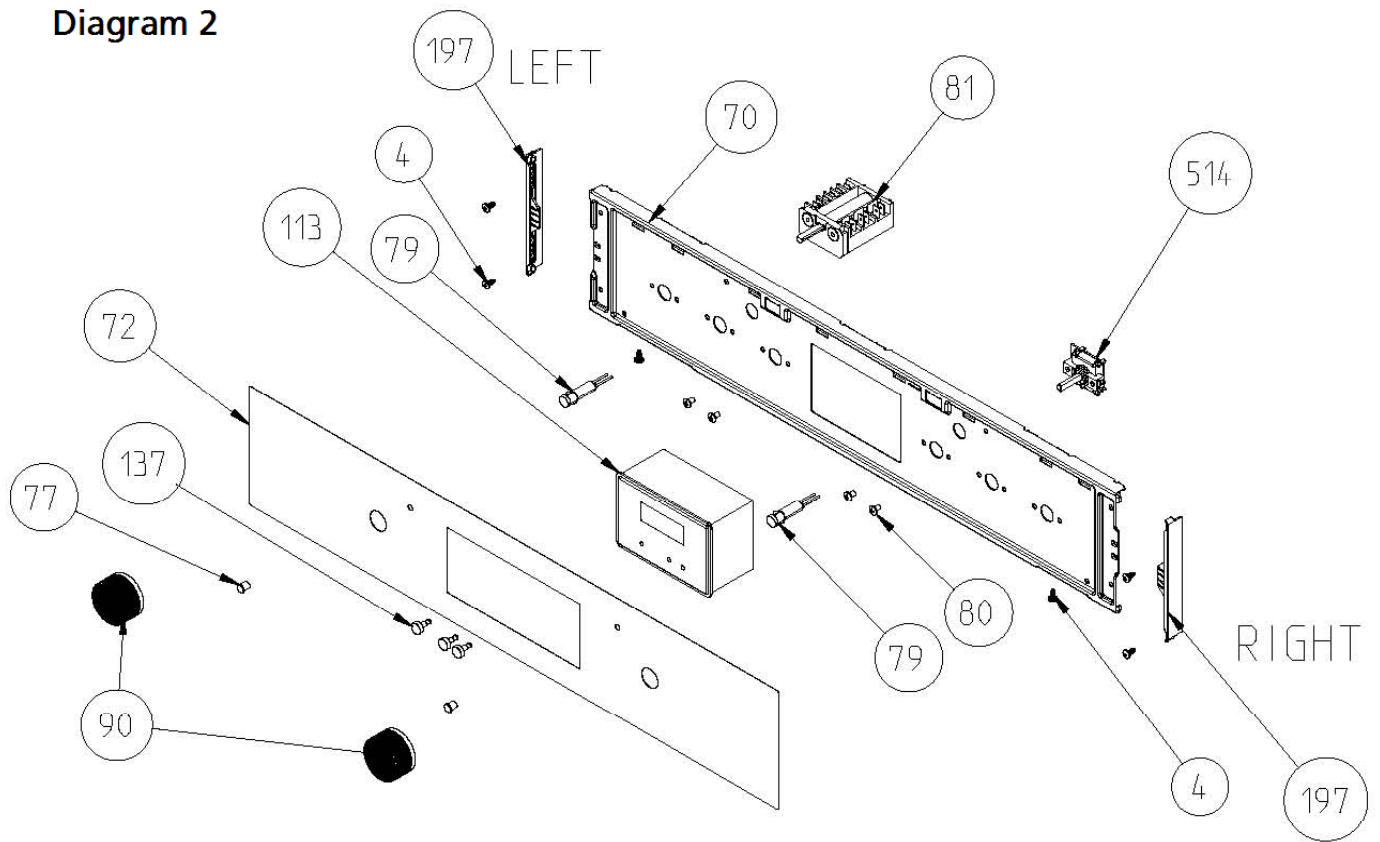
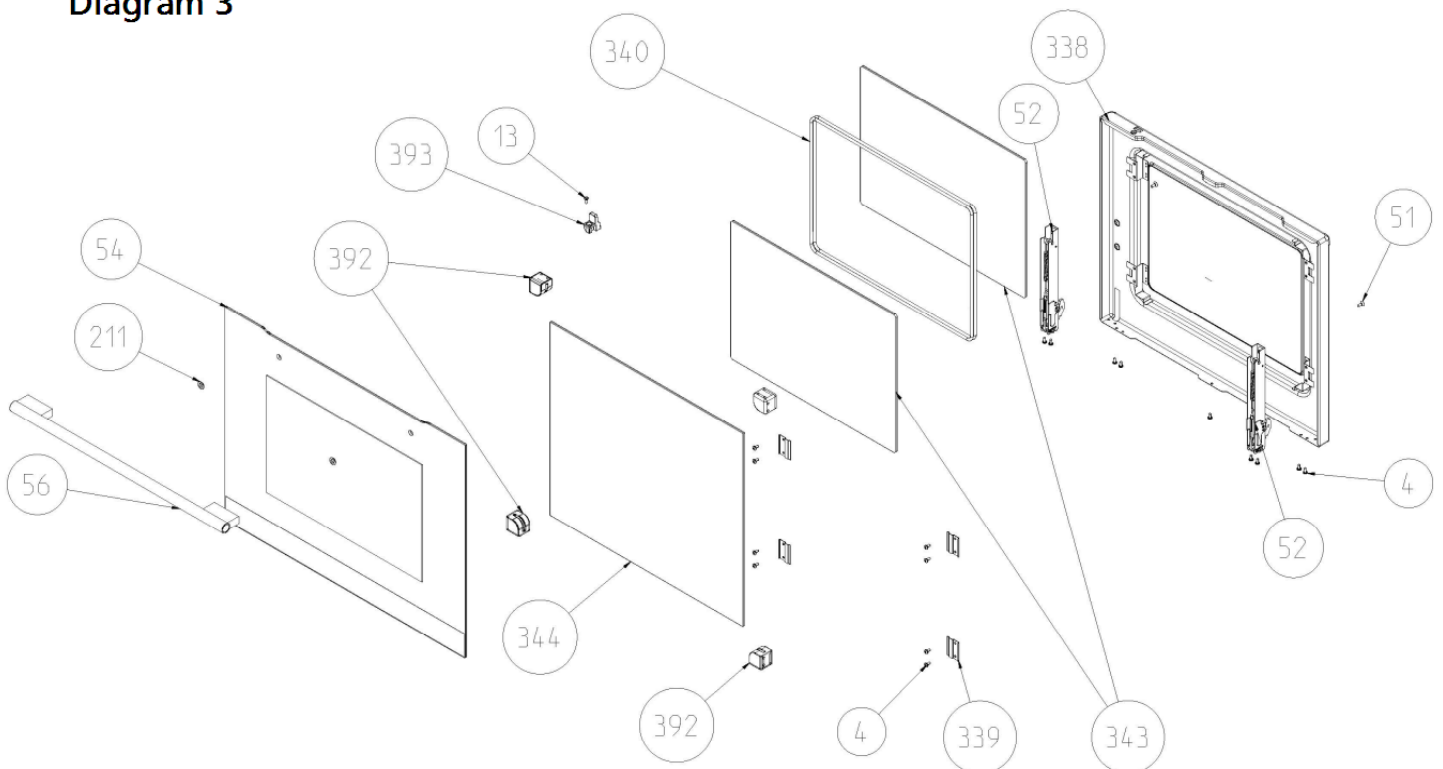


Diagram 3





## C2238 - Caple single oven

Diagram	Item	Part Code	Description
1	2	32012966	OVEN LIGHT 230
1	4	37002148	SCREW (CIRCULAR-HEAD, 3.9*9.5, BLACK
1	4	37002004	SCREW (COUNTERSUNK-HEAD, 3.9*9.5
1	4	37019096	SCREW(CONEHEADED,3.9x9.5
1	4	37025149	SCREW (RYSB, 3.9x9.5) FORM (A,K,H
1	4	37020402	3,9x9,5 TAPERED SCREW,BLAC
1	7	20854869	REAR INSULATION COVER_BUILT_IN_65LT_3
1	9	32013533	FAN MOTOR 230V 23W CL
1	10	20797488	CAVITY(BUILT-IN,GRILL,LAMP,BLACK)
1	12	37019627	HINGE COUNTERPART 65 LT PYRO LEFT
1	12	37019628	HINGE COUNTERPART 65 LT PYRO RIGHT
1	15	20778193	TEPSI (65, DERIN, SIYAH)PIRO
1	16	42080672	FIBERGLASS OVEN DOOR GASKET (65LT)
1	17	37022680	GRID(65LT,ST)
1	17	37020562	WIRE GRID, FULL EXTENTION RAIL, 65LT
1	19	20797495	FAN COVER(2009,TURNSPIT,PYROLYTIC OVEN)
1	20	32010288	RING TUBULAR HEATING ELEMENT(240V,2000W)
1	21	37007900	FAN IMPELLER ( 6 WINGS )
1	28	37015698	REAR TOP PANEL (NEW B-IN)
1	29	20612618	REAR PANEL (BUILT-IN,TERMINAL BOX)
1	30	32004175	TERMINAL BOX 16A TH500
1	31	32005226	POWER CORD (UNPLUGGED,WHITE)
1	32	20731613	SIDE PANEL (NEW B-IN, RIGHT)
1	32	20731614	SIDE PANEL (NEW B-IN, LEFT)
1	38	37012428	EXHAUST(PYROLYTIC OVEN)
1	61	37017795	TELESCOPIC RAIL (DOUBLE EXTENTION,LEFT)
1	61	37017800	TELESCOPIC RAIL (DOUBLE EXTENTION,RIGHT)
1	71	37023099	SCREW (KNURLED, 3.9*6.5)
1	91	37010982	BLIND NUT- FOR FILTER
1	91	35001942	FLANGE NUT M6
1	91	37001886	NUT (M4)
1	107	37010984	FLAT WASHER- FOR FILTER
1	107	37010985	KNURLED WASHER- FOR FILTER
1	107	37017459	WASHER (ID4xOD15x1.6mm)
1	110	32001560	BOTTOM HEAT.ELEMENT(60*60,1100W,MAIN OVEN)
1	111	20613033	BOTTOM HEATING ELEMENT HOLDER
1	112	32017633	TOP AND GRILL HEATER(230V1400+1200W 65LT)
1	114	37016403	TOP AND GRILL HEATING ELEMENT CLIP 65L
1	125	42069028	COOKTOP ASSEMBLY PART (NEW G. B-IN, 3P)
1	126	37002841	SCREW (COUNTERSUNK-HEAD, 3.5*25, BLACK)
1	170	37002652	SCREW (4.2*9.5 WASHER-HEAD KNURLED)
1	171	37002702	SCREW (KNURLED, 4.2*9.5, BLUNT TYPE)
1	173	37002304	SCREW (KNURLED, 3.9*13)
1	174	37026488	HANDLE ADAPTED DEEP TRAY GRID
1	175	37003003	SCREW (CIRCULAR-HEAD, M4*8, STAINLESS)
1	200	20731615	BOTTOM PANEL (NEW B-IN)
1	201	32010260	COOLING MOTOR 230V 15W 50Hz CL H



## C2238 - Caple single oven

Diagram	Item	Part Code	Description
1	202	20731616	TOP INSULATION COVER(NEW BUILT-IN)
1	203	37017753	COOLING FAN DUCT (NEW B-IN,PYROLYTIC OVN)
1	205	32024149	LIMIT THERMOSTAT NC 80°C,250V,16A /ELTH
1	207	20746973	TOP PANEL (NEW B-IN)
1	242	37012429	PYROLYTIC LOCK BRACKET
1	252	37006985	WIRE SHELF FIXING CLIP
1	253	37017799	WIRE SHELF (DOUBLE RAIL,RIGHT)
1	253	37017798	WIRE SHELF (DOUBLE RAIL,LEFT)
1	264	37026489	DEEP TRAY HANDLE
1	328	37009032	WASHER (ENAMELLED,BLACK)
1	360	42065841	BUILT-IN OVEN DOOR SILICON BUFFER
1	390	37013139	SCREW (CIRCULAR-HEAD, 3.9*9.5, STAINLESS)
1	391	42046904	DOOR LOCK GASKET
1	394	37012413	OVEN LIGHT INSULATION SHIELD
1	405	37010983	PYROLYTIC OVEN FILTER NUT
1	449	32009198	LIMIT THERMOSTAT NC 140°C, 250V, 16A
1	452	32001547	LIMIT THERMOSTAT NO 70°C
1	453	32010292	LIMIT THERMOSTAT 90C 16/5 (DB.CONTACT)
1	515	32021165	PT1000 ELECTRONIC THERMOSTAT TECHNOCELL
1	521	32023787	WIRE SADDLE BO
1	553	37016411	EXHAUST TOP PANEL (NEW G. B-IN)
1	585	20808109	STRING SHELF GROUP
1	608	37024382	LIMITER BRACKET WITH SCREWING
2	4	37019096	SCREW (KNURLED, 3.9*6.5
2	4	37002148	SCREW (CIRCULAR-HEAD, 3.9*9.5, BLACK
2	70	20753243	INNER PANEL(NEW G.B-IN,PYROLYTIC,BLACK)
2	72	20890486	GLASS FRONT PANEL GR (B-IN,BLACK)
2	77	32001512	SIGNAL LAMP LENS - RED Ø 6 MM
2	79	32016342	SIGNAL LAMP BODY
2	81	32010290	FUNCTION SELECTOR SWITCH
2	90	42145063	CAPLE KNOB
2	113	32016089	PYROLYTIC OVEN THERMOSTATIC TIMER 3 BUTTON
2	137	42070389	TIMER BUTTON(BUILTIN,PYRO,3D,GLASS,BLACK
2	175	37003003	SCREW (CIRCULAR-HEAD, M4*8, STAINLESS)
2	197	42055325	PLASTIC PART
2	514	32008373	PYROLYTIC OVEN THERMOSTAT ENCODER
3	4	37002148	SCREW (CIRCULAR-HEAD, 3.9*9.5, BLACK
3	13	37002589	SCREW (COUNTERSUNK-HEAD, M4*8, BLACK)
3	49	20682158	HANDLE ASS.GROUP(INNER COVER/SOLID/GLASS)
3	51	37002011	SCREW (COUNTERSUNK-HEAD, M5*10, BLACK)
3	51	37026148	SCREW (CIRCULAR-HEAD, M5*12,BLACK)
3	52	37011004	OVEN DOOR HINGE(9,0-9,5 KG,GDA;14,5)
3	54	20890495	OUTER GLASS ASS(BUILT-IN,BLACK,PYROLYTIC
3	56	37026519	CAPLE HANDLE ASM (INOX,DP;420)
3	211	42016770	HANDLE ASSEMBLY GASKET
3	338	20789055	INNER LID SOURCE PART (NEW G,LOW-E)
3	339	37020985	PYROLYTIC DOOR ADDITIONAL PART,BLACK
3	340	42083333	FIBERGLASS OVEN DOOR INNER DOUBLE WINDOW
3	343	47004764	FLAT PYROLYTIC OVEN DOOR INTERVAL GLASS (SMAL
3	344	47004763	FLAT PYROLYTIC OVEN DOOR INTERVAL GLASS (BIG)
3	378	20770061	SOLID TYP OVN DOORASS.GR(NEW B-IN,PYRLYTIC)



## C2238 - Caple single oven

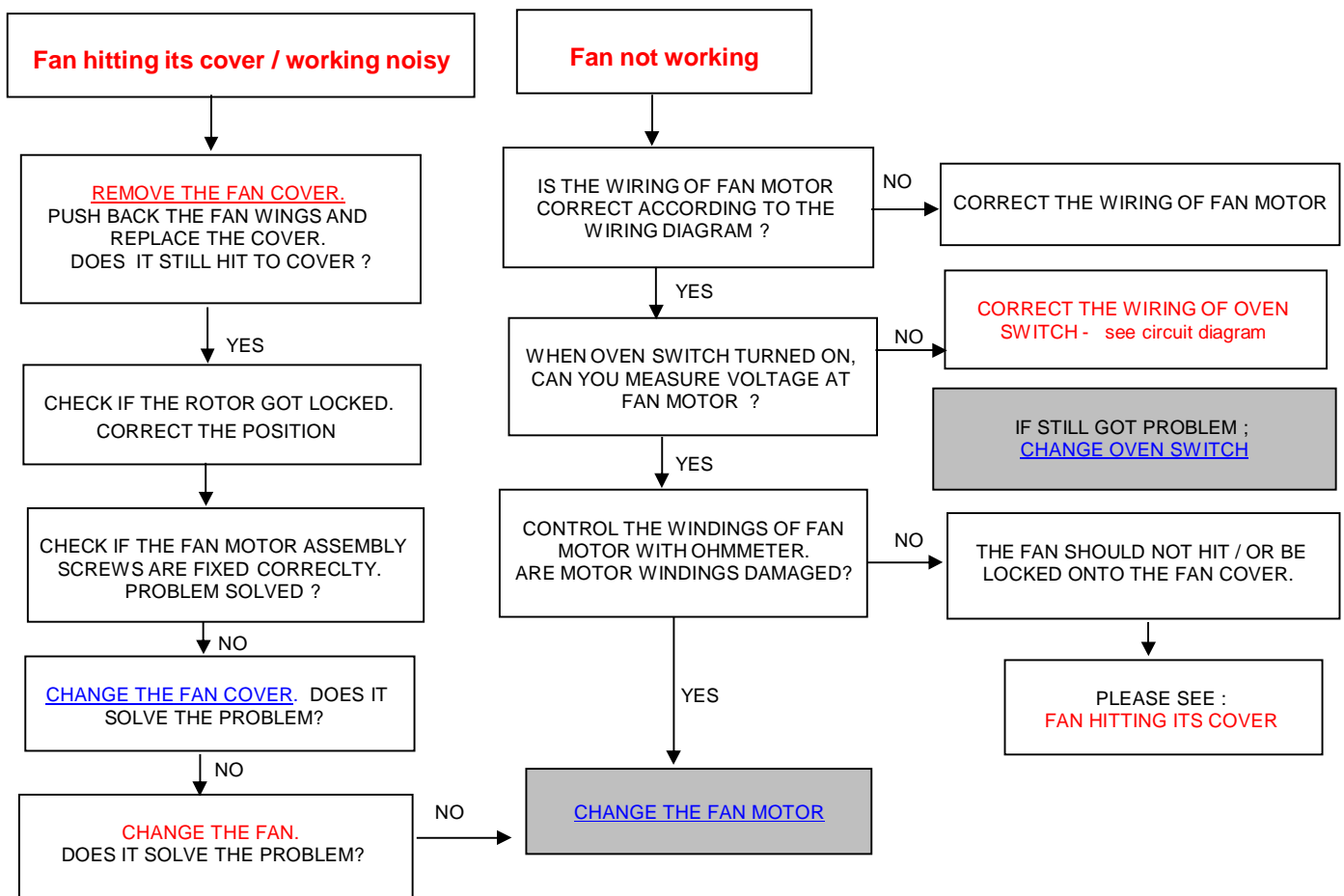
Diagram	Item	Part Code	Description
3	<b>392</b>	42047036	PYROLYTIC OVEN DOOR INNER GLASS BUMPER
3	<b>393</b>	37018932	PYROLYTIC DOOR LOCK COUNTER PART





Electrical component problems

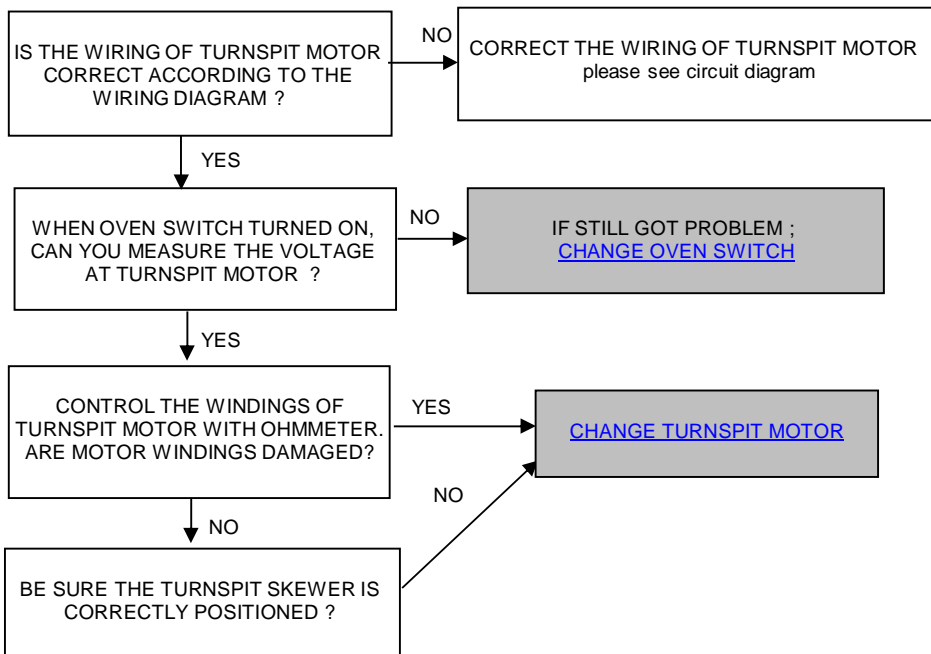
Fan problems





Electrical component problems

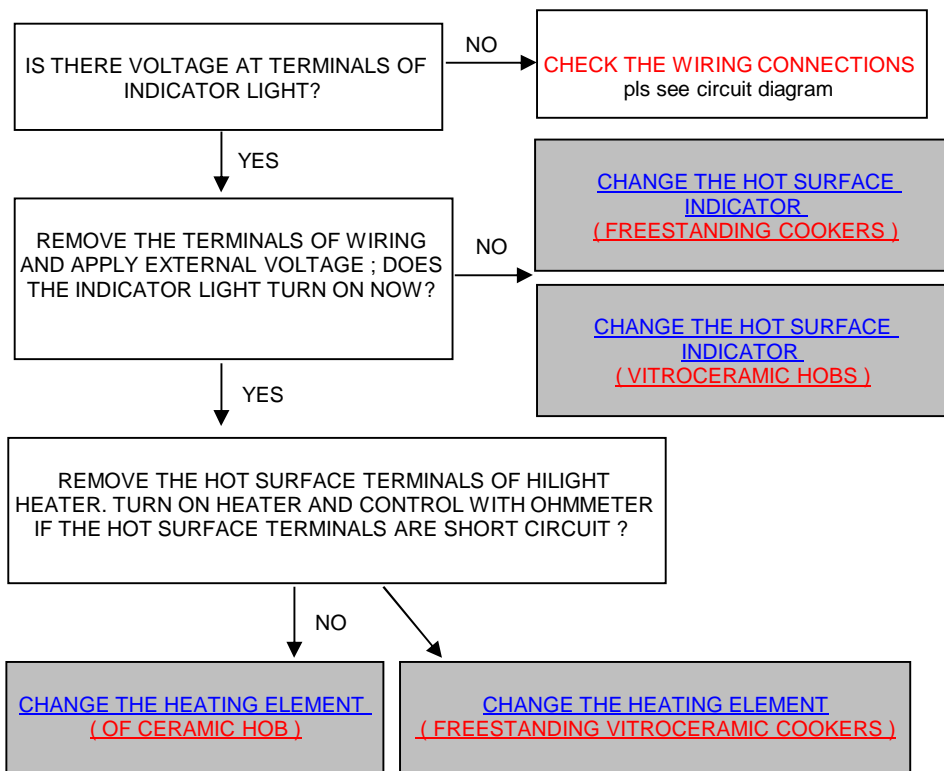
Turnspit problems





Electrical component problems

**Hot surface indicator light  
( residual heat indicator ) not working**



**Hot surface indicator light burnt**

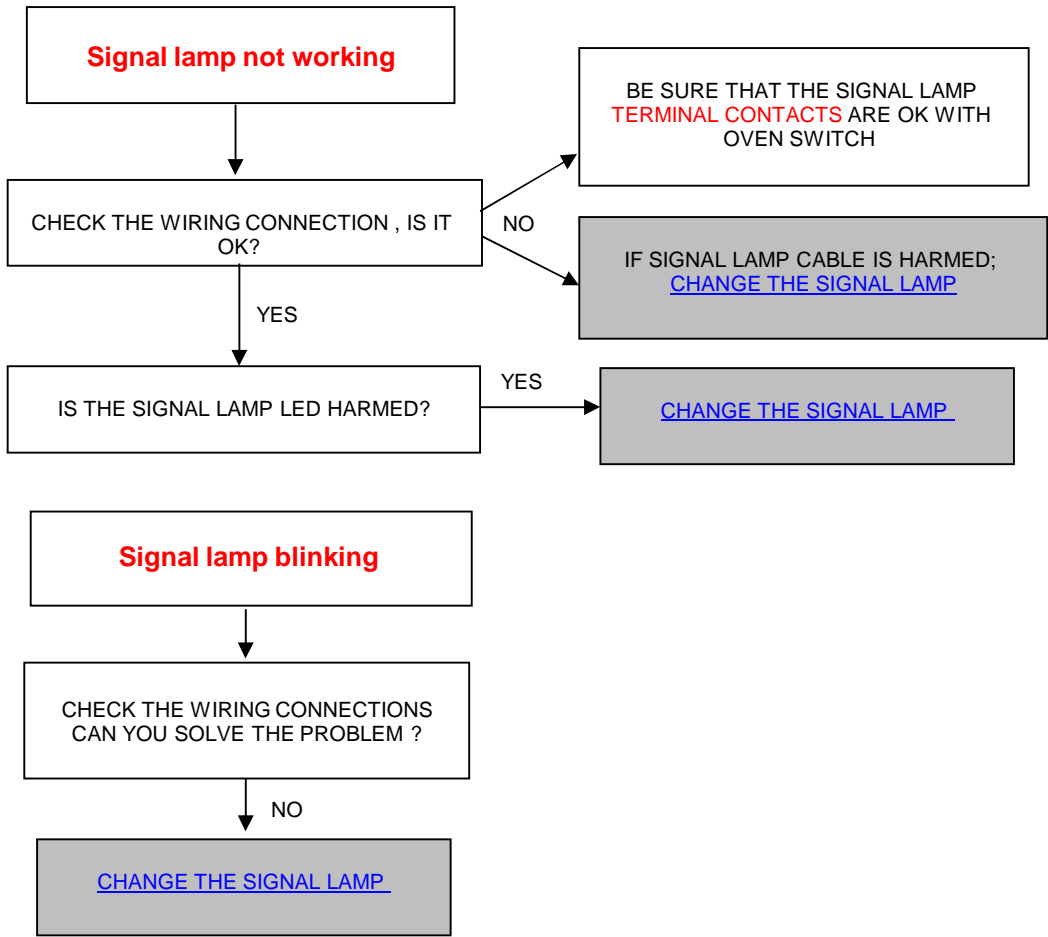
IF IT IS TOO CLOSE TO THE HEATING ELEMENTS ;

CHANGE THE HOT SURFACE INDICATOR LIGHT



Electrical component problems

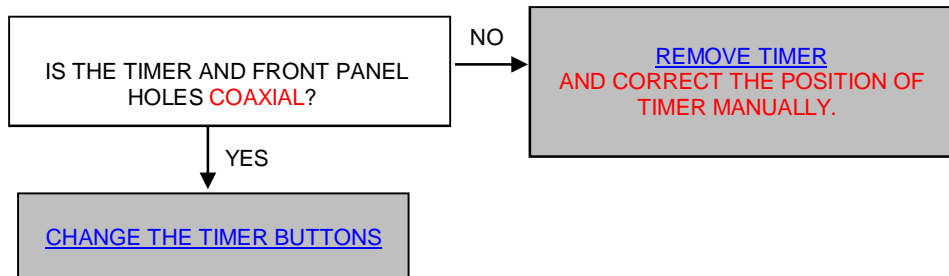
Signal lamp problems :



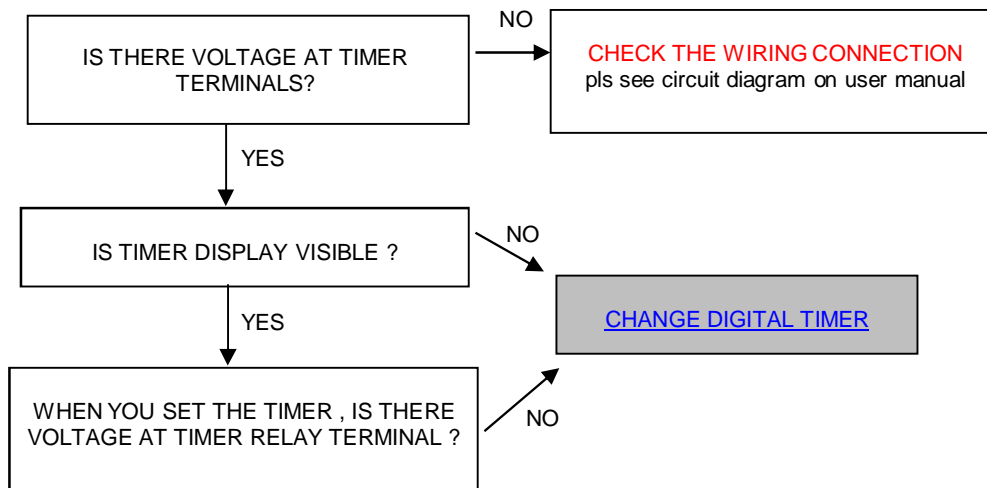


Electrical component problems

Digital timer buttons sticking



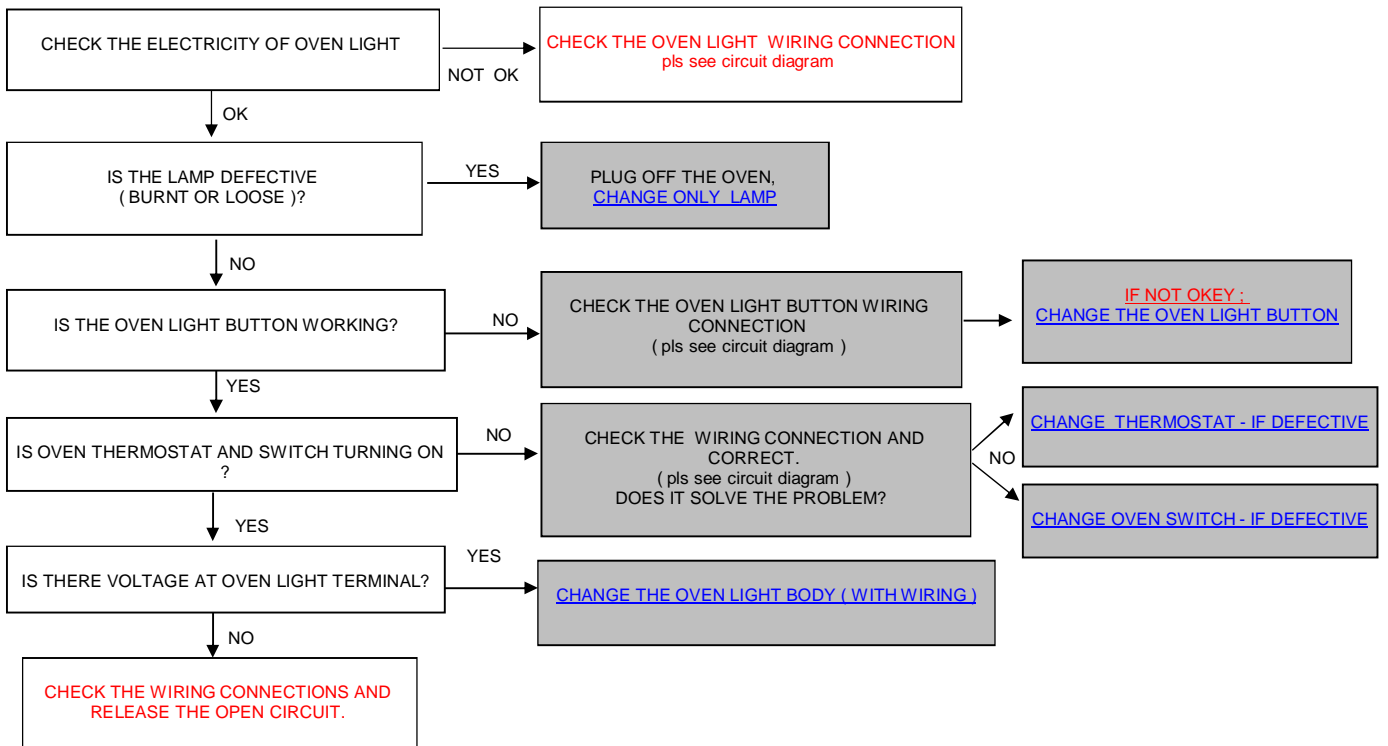
Digital timer not working





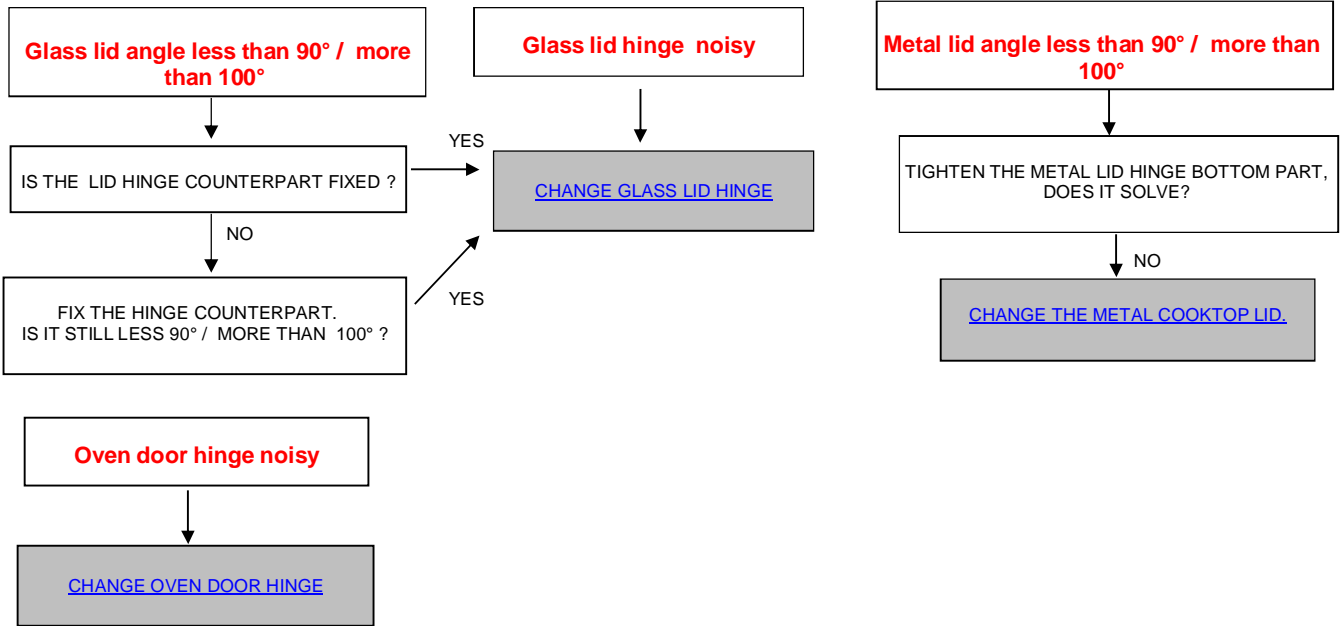
Electrical component problems

Oven light not working

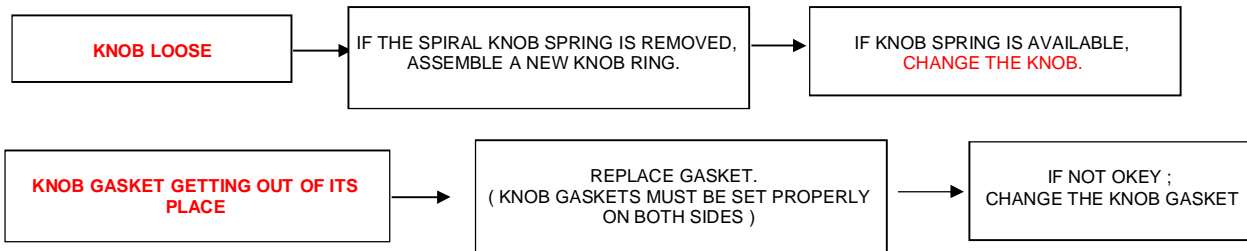


Mechanical component problems : Hinges & Knobs

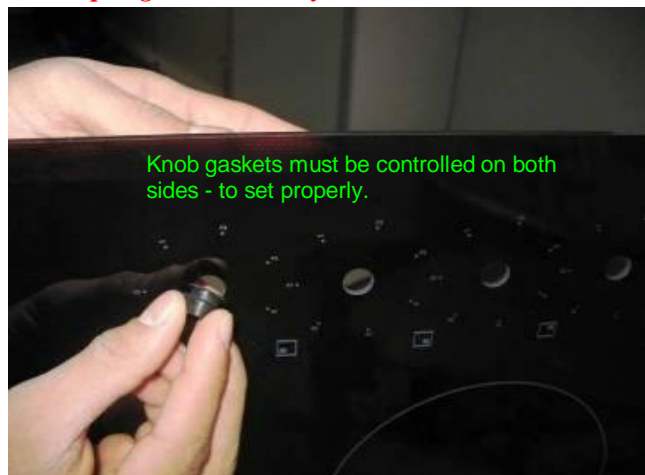
**HINGE PROBLEMS**



**KNOB PROBLEMS**



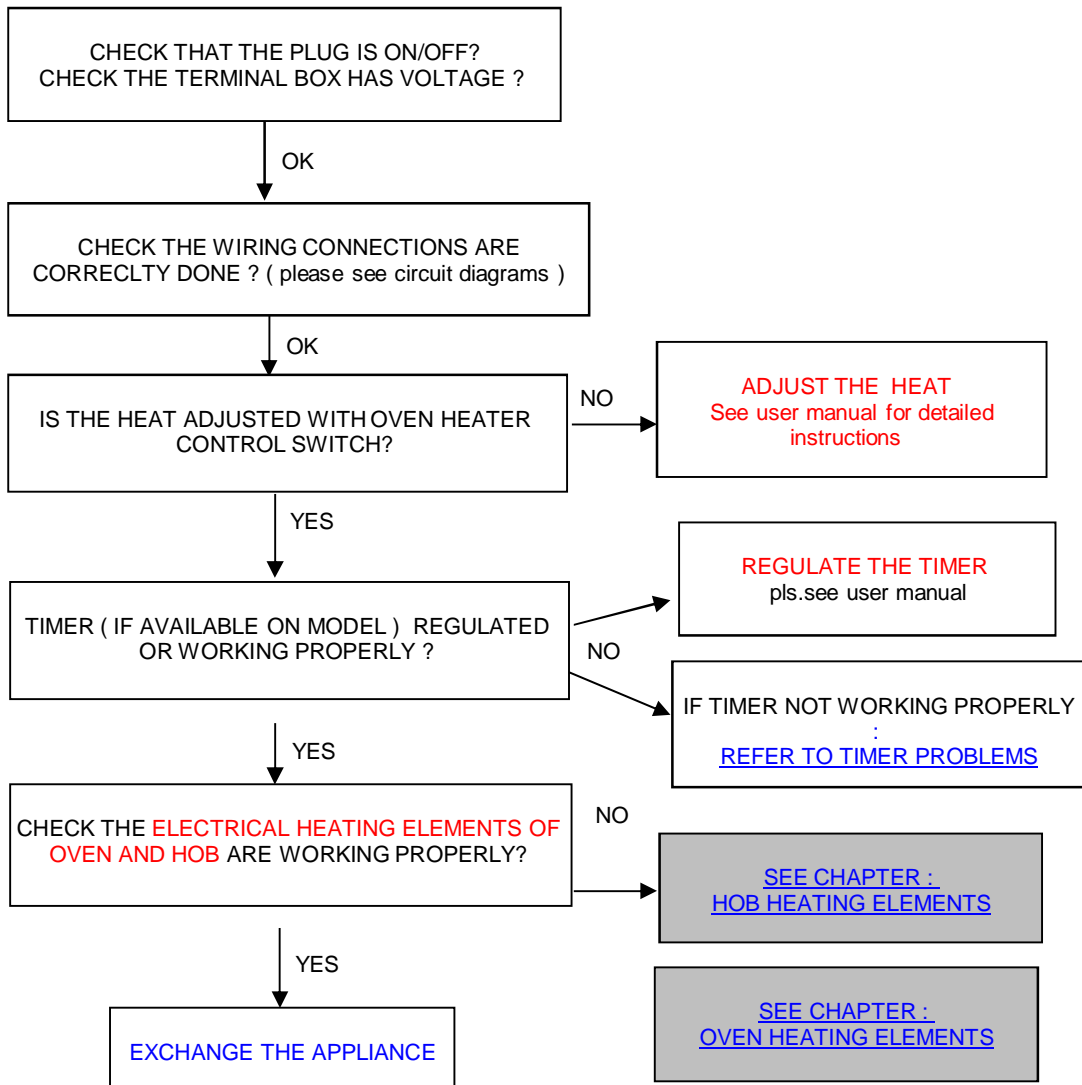
*Before putting on the knob ; be sure the knob segment and knob spring is set correctly*





Cooking problems

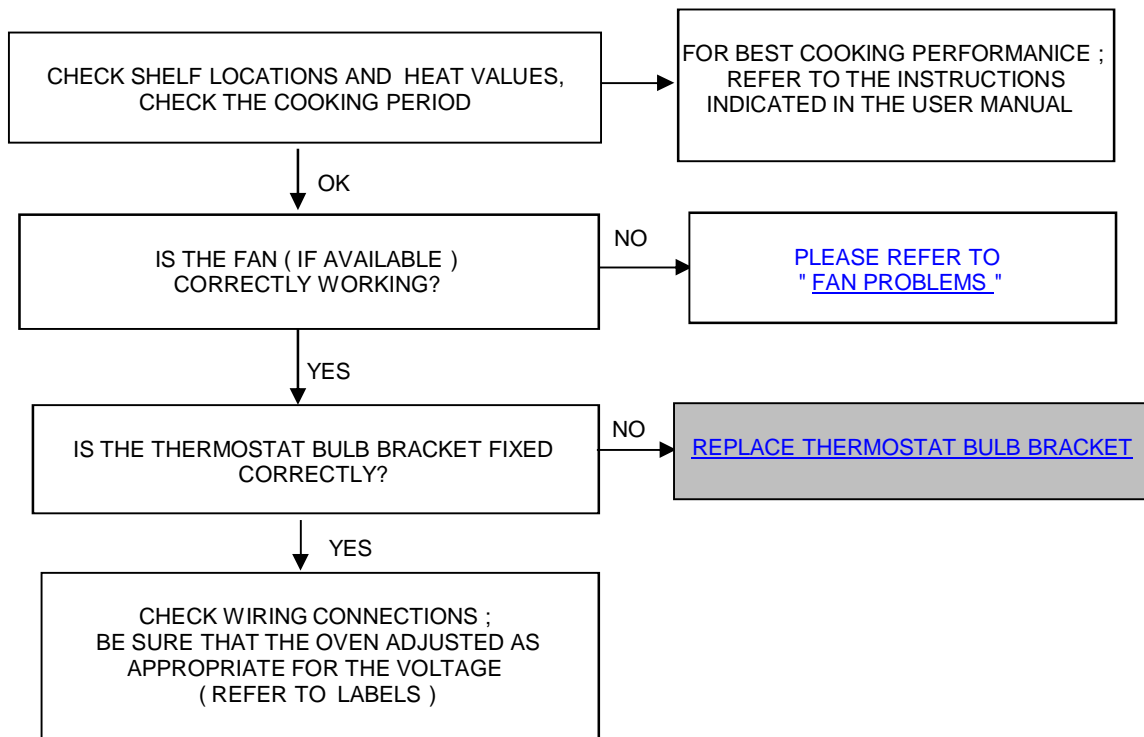
Oven doesnt work





Cooking problems

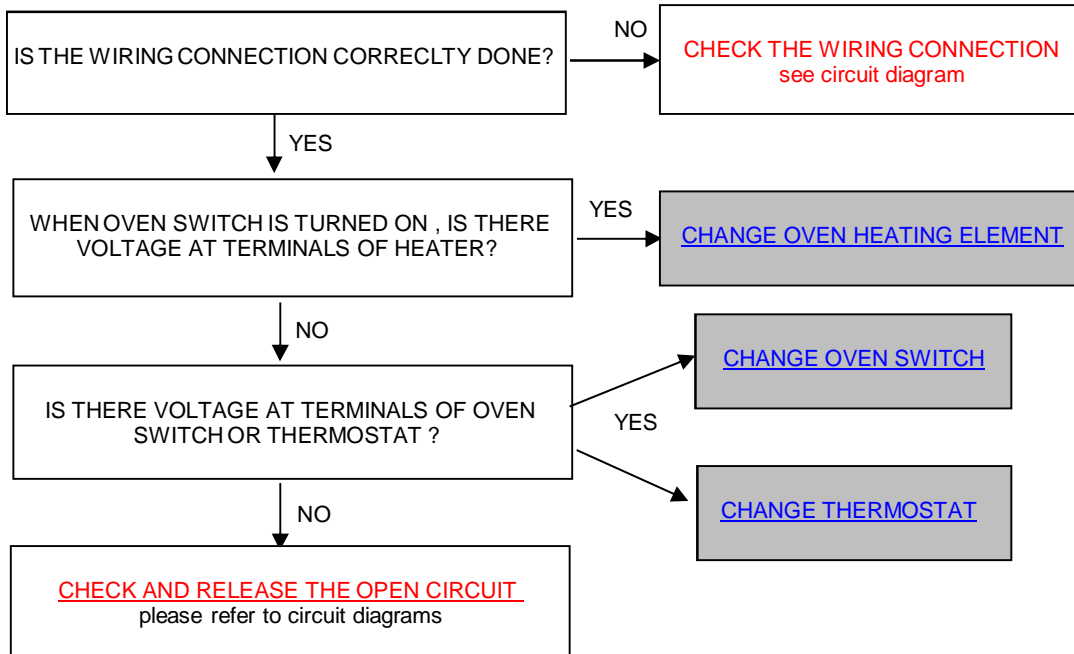
Oven cooking unhomogenously / long cooking period





Electrical component problems

Oven Electrical Heating Element(s) not working ;  
( Top / Bottom / Ring / Grill Heaters )





**Handle Problems :**

If handle is loose ; replace and tighten it. If not solving ; change with a new one

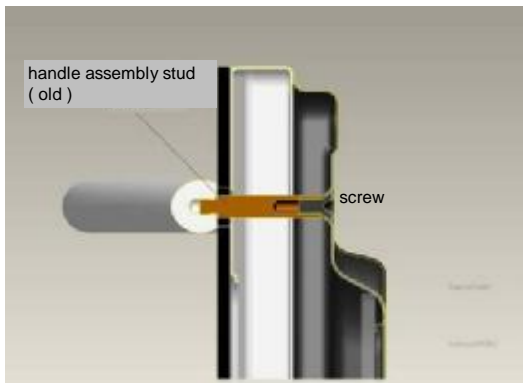


**HANDLE ASSEMBLY TYPES :**

**3D SOLID TYPE OVEN DOOR HANDLE ASSEMBLY**

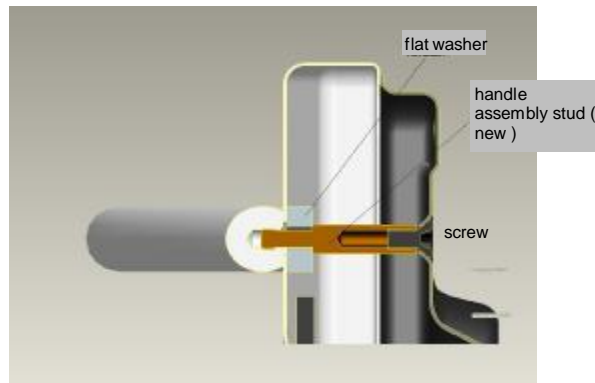
**OLD VERSION**

( For oven doors before production FEB. 2007 )



**LAST VERSION**

( For oven doors AFTER production FEB. 2007 )



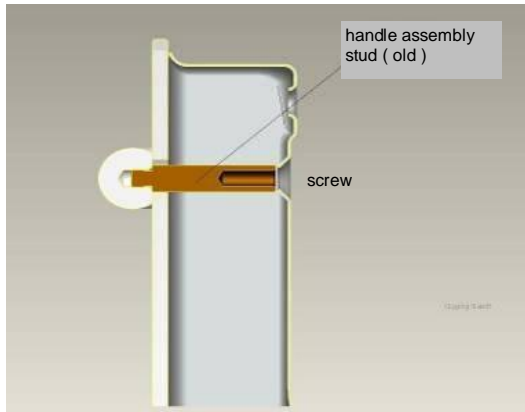
For old version handles ; Handle assembly Group = ( Old Handle assembly stud + screw )

For new version handles ; Handle assembly Group = ( New Handle assembly stud + flat washer + screw )

## SOLID TYPE OVEN DOOR HANDLE ASSEMBLY

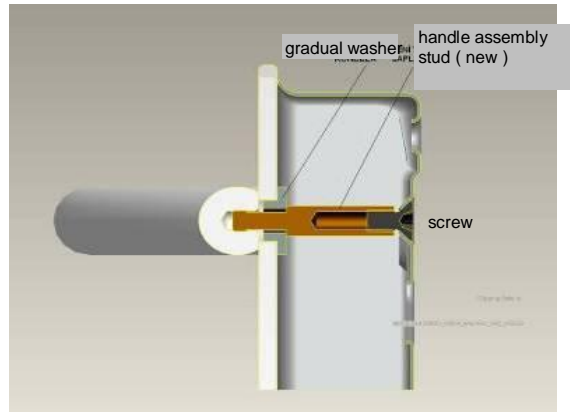
### OLD VERSION

( For oven doors before production FEB. 2007 )



### LAST VERSION

( For oven doors AFTER production FEB. 2007 )



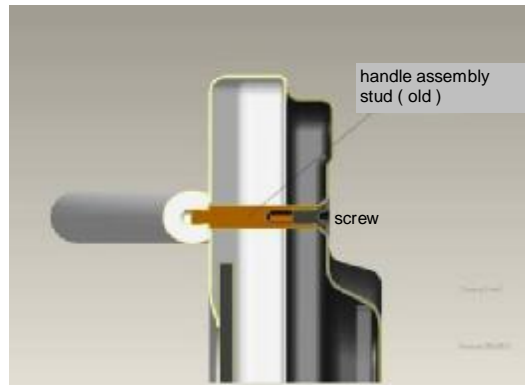
For old version handles ; Handle assembly Group = ( Old Handle assembly stud + screw )

For new version handles ; Handle assembly Group = ( New Handle assembly stud + gradual washer + screw )

## INNER COVER OVEN DOOR HANDLE ASSEMBLY

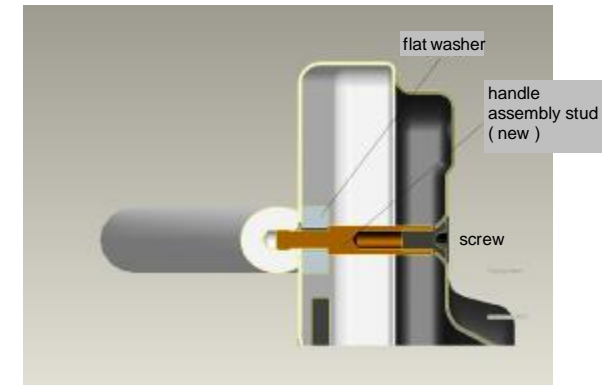
### OLD VERSION

( For oven doors before production FEB. 2007 )



### LAST VERSION

( For oven doors AFTER production FEB. 2007 )





### Changing oven door :

Unlock the oven door hinges first.



Then manually take off the oven door.





### Removing rear panel

#### ( freestanding cookers )

Detach all screws on rear panel to remove



#### ( built-in cookers )

Detach all screws on rear panel to remove



If available, power cord terminals must be taken off from the rear panel



### **Changing oven light button / ignitor button**

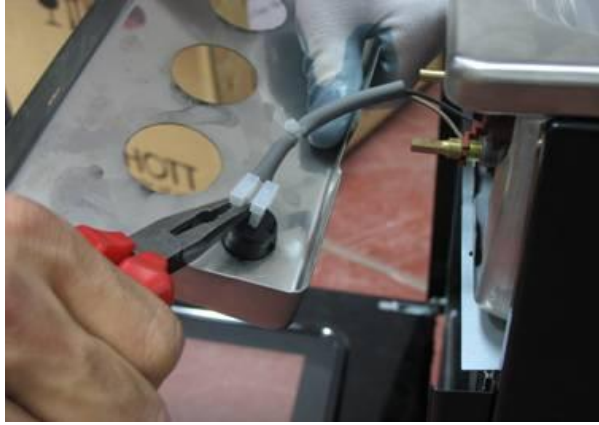
Remove front panel ( see detailed )



***Attention : Do not push back the front panel hardly and fast ; this may cause the button wirings get harmed. Please hold it until you take off the terminal contacts.***

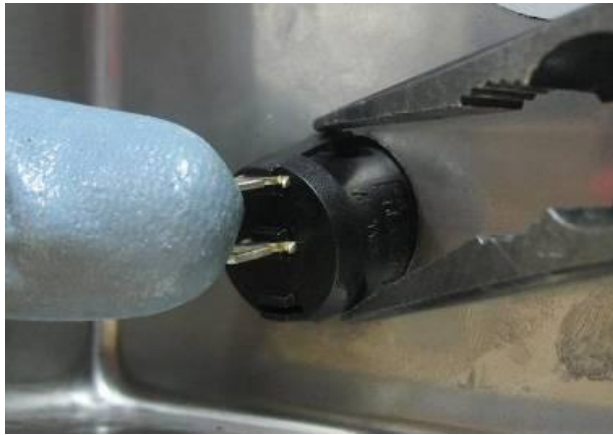


Remove the plastic contacts of wiring terminals ( with a nippers )



Then push the hooks surrounding and push forward the button to remove.





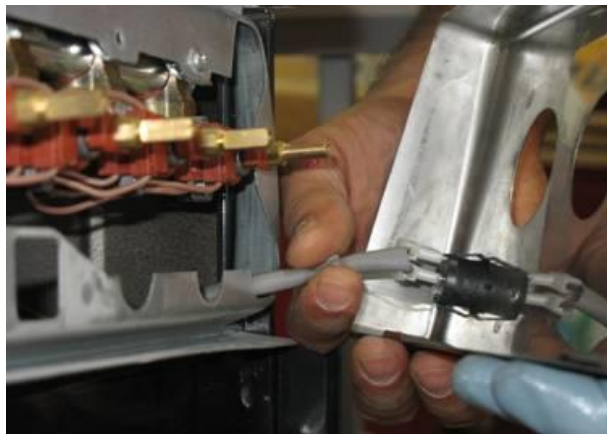
Insert a new button ; set it appropriate into the hole.



*Reassemble the wiring terminals to button ;  
and please pay attention the cables not to be destroyed while mounting the front panel.*



*- All steps are similar for the ignitor button.*

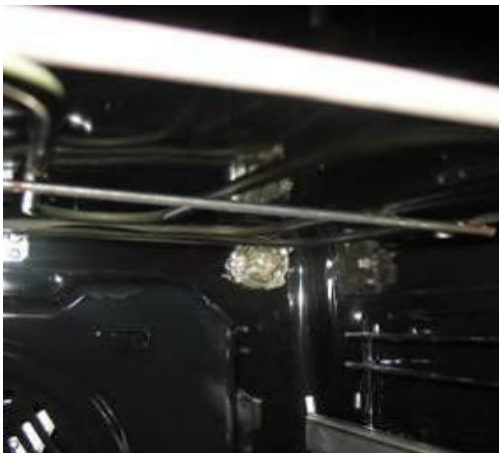




### Changing oven light :

Before replacing the lamp, disconnect the appliance from the electricity supplies. Remove the glass protection cover by turning. Then pull back the lamp. If the oven lamp has to be changed the new lamp must have the following rating:

**25W - 230Vac - 50 Hz - E14 - resistant to high temperatures (300°C)**



[Remove rear panel. \( see detailed \)](#)

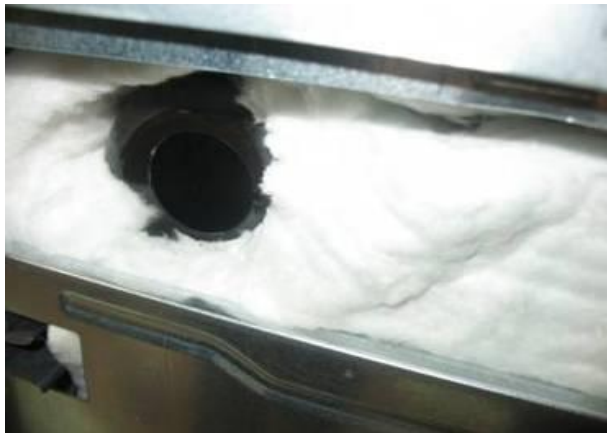


Pull of the electrical connections of oven light

If harmed/defective, change the wiring harness



Press the hooks on the oven light (by a screwdriver) and then push into the cavity.



Pay attention that : the oven light is replaced appropriate to its hole on cavity





## Changing fan motor

Remove fan cover first.



Then pull back and remove fan :



[Remove rear panel. \( see detailed \)](#)

Unscrew the fan motor from the rear inner panel



Remove the wiring harness of fan motor manually,  
then the fan motor will be free.



## Changing turnspit motor

[Remove rear panel. \( see detailed \)](#)

Unscrew the turnspit motor from the rear inner panel



Take off the wiring connections and remove motor.



## Changing Oven Electrical Heating Elements

### 1. Ring ( circular ) Heating Element :

[Remove fan cover.\( see detailed \)](#)

Unscrew the ring heating element from the rear of cavity.



Pull out the wiring connections manually. The ring heater will be free then.

### 2. Top& Grill Heating Element :

Remove **Top heating element bulb bracket** manually ( at middle )



Unscrew the top&grill heating element from the rear of cavity.

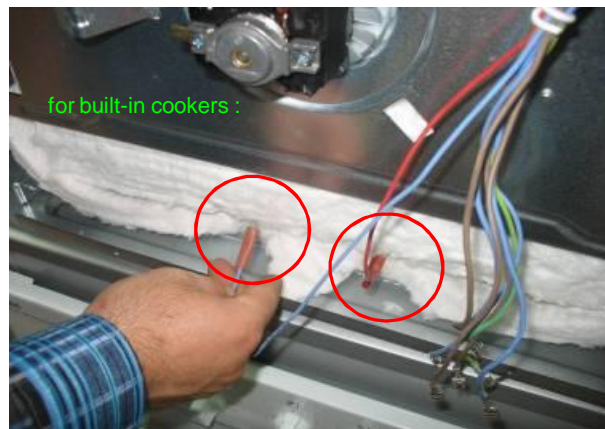


Pull out the wiring connections manually. The ring heater will be free then.

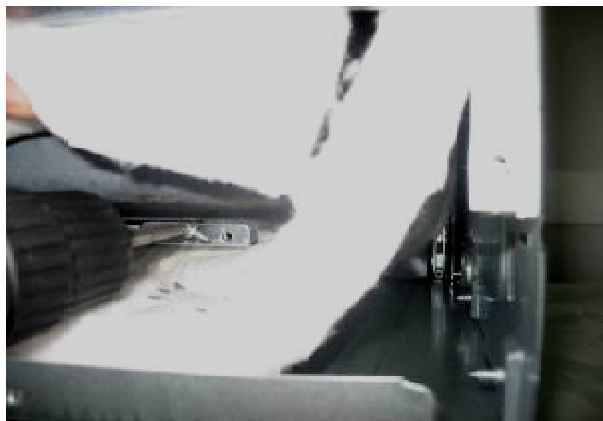
### 3. Bottom Heating Element :

[Remove rear panel. \( see detailed \)](#)

Pull off the terminals of bottom heating element.



Take up the wrapping insulation ( rockwool ) slightly ,  
then unscrew the right and left connections of bottom heating element.



Press down the bottom heating element cover, then pull slightly backwards.



Hold up the heating element slightly and take out.



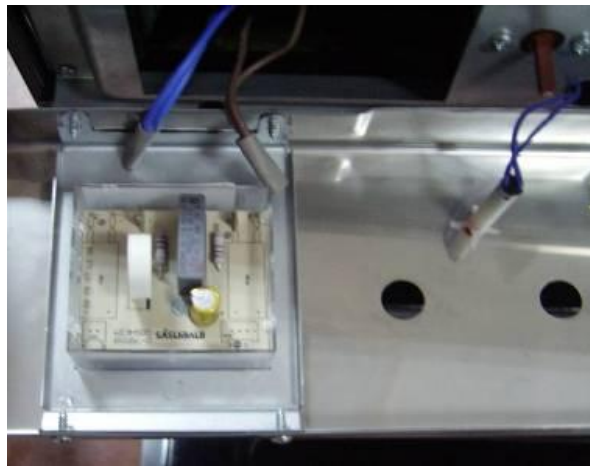
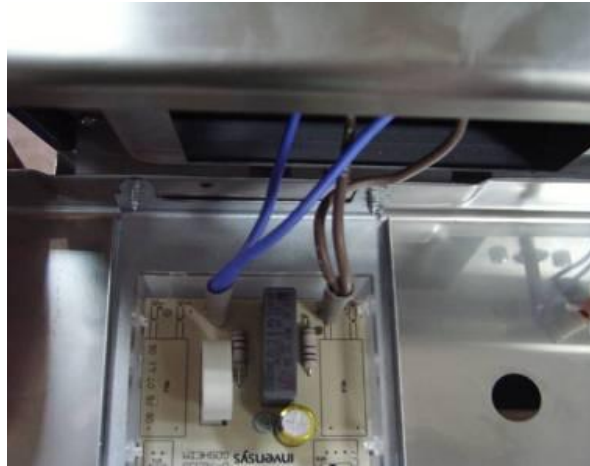
Repeat this procedure backwards ; to replace the component.



## Changing Digital Timer

[Remove front panel \( see detailed \)](#)

Pull off the cable contacts from Digital timer



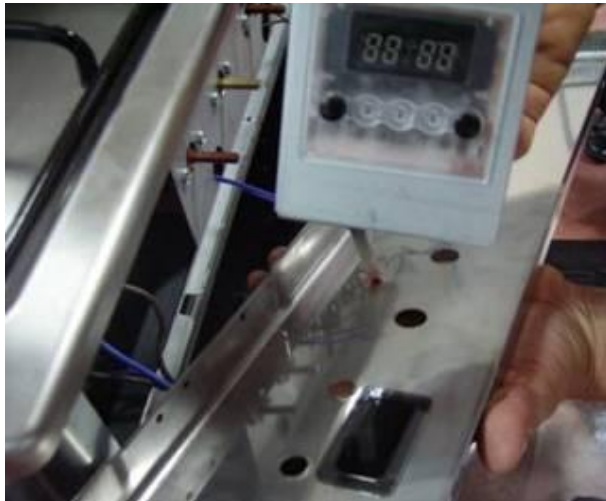
Unscrew the Digital timer – from the front panel



Correct the position of timer and check if problem solved.



If still not solved ; change the timer buttons.



If problem can not be solved; change digital timer.



## Changing Mechanical Timer

[Remove front panel \( see detailed \)](#)

Unscrew the mechanical timer from the inner panel.





## Changing Function Selector Switch :

[Remove front panel \( see detailed \)](#)



Pull off the signal lamp manually - to remove from the panel



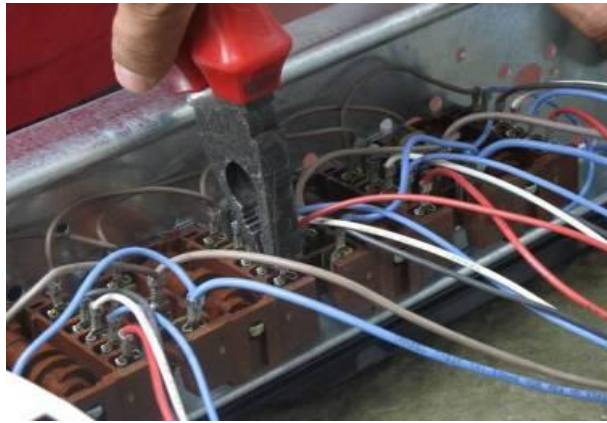
[Remove cooktop \( see detailed \)](#)



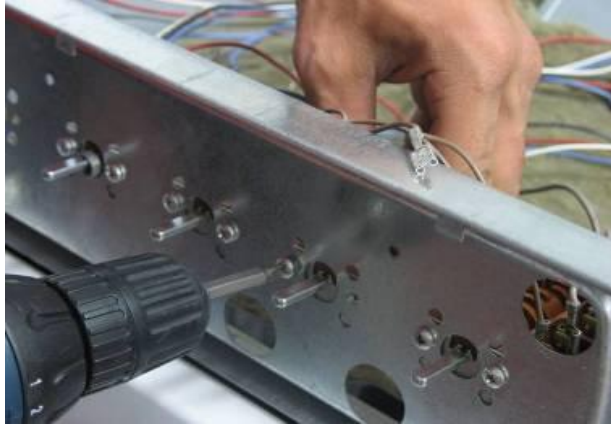
On the left; 4 hotplate switches and on the right; function selector switch.



Remove wiring contacts out of the switch ; by a nippers.  
( While reassembling the wirings, please refer to circuit diagrams )



Then unscrew the switch from the inner panel

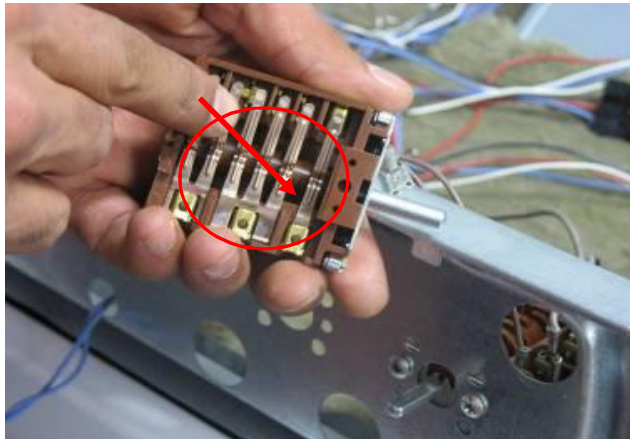


Please hold the switch from its surroundings - not from its top and bottom surfaces



**Do not compress the bottom plates of switch !**

In this case, you may cause short circuit and switch may not work correctly.





### Changing thermostat :

[Remove front panel \( see detailed \)](#)

Pull off the signal lamp manually - to remove from the panel



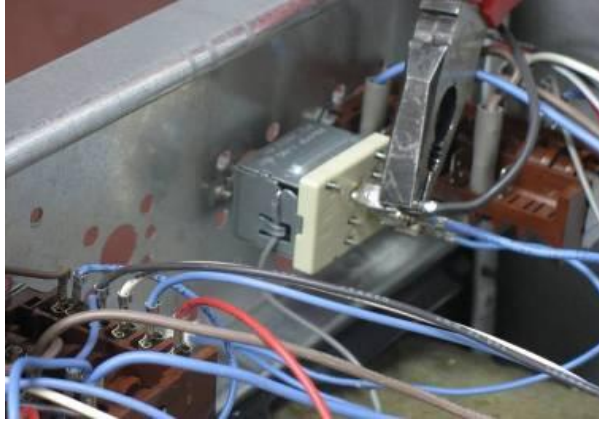
[Remove cooktop \( see detailed \)](#)



Thermostat and oven switch is placed on the left side of the cooker



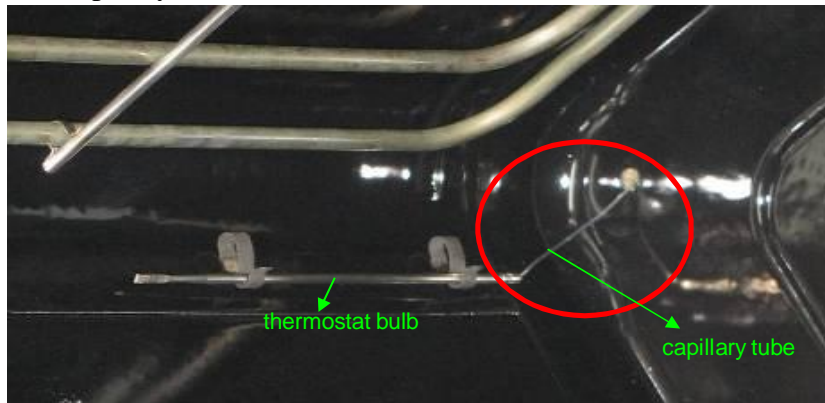
Remove wiring connections by a nippers



Unscrew the thermostat from the inner panel



The capillary tube of thermostat; ends on the thermostat bulb inside cavity



Manually remove thermostat bulb out of its brackets.



[Remove the oven rear panel\( see detailed \)](#)

Now it is safe to pull back and remove thermostat bulb from the rear outlet.  
Thermostat becomes free then.





## Changing the signal lamp body :

[Remove front panel \( see detailed \)](#)

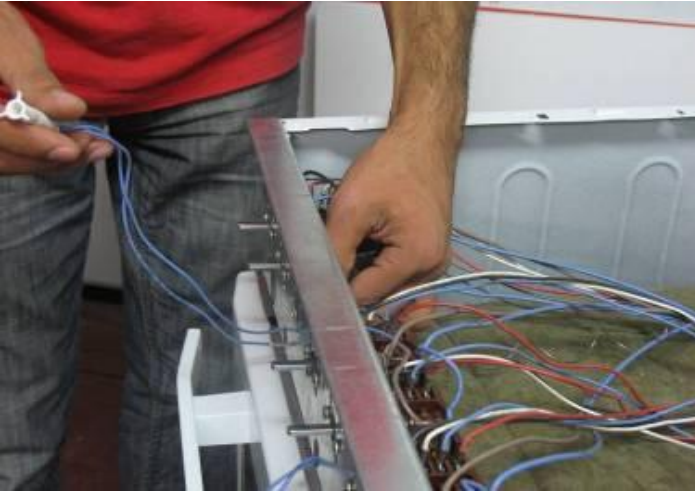
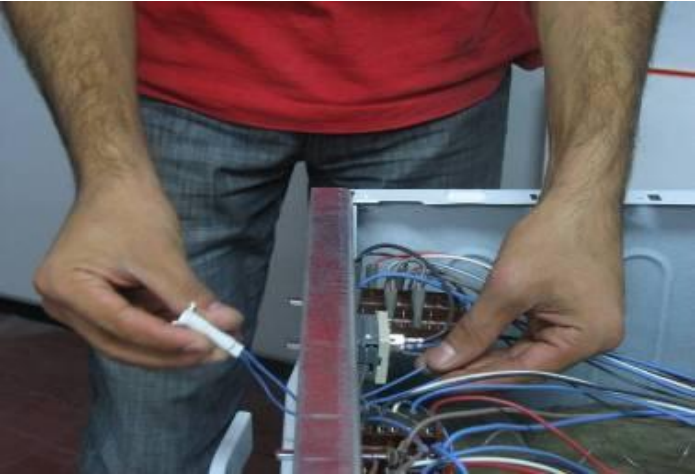
Pull off the signal lamp manually - to leave free from the panel



[Remove cooktop \( see detailed \)](#)



Remove the signal lamp body manually.





## Removing front panel ( built-in cookers )

Remove knobs manually



Remove the bottom screws of front panel



Hold up slightly and remove panel.



If available on your oven ;

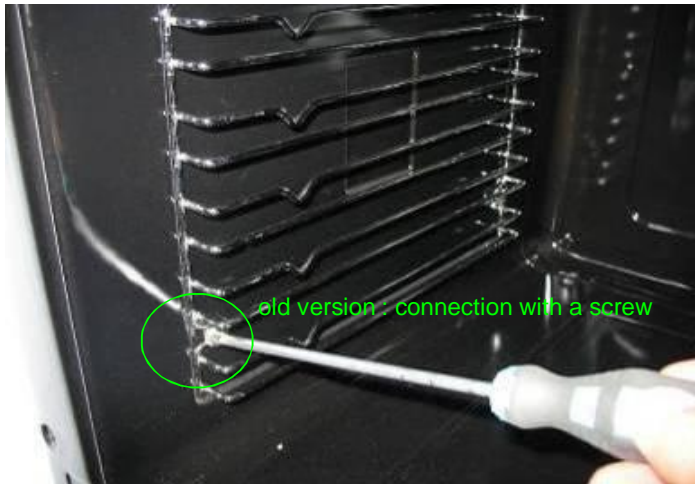
Pull off the wiring connections of ignitor/oven light button.



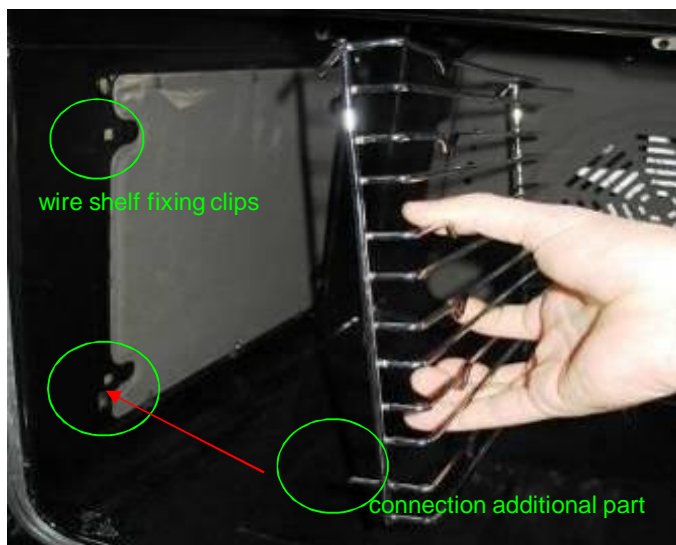


## Wire shelves

Old type ( screwed onto cavity )



New type( Revision: March 2007 ) ( set wire shelf into clips - manually )



To change telescopic rails , unscrew the connections on wire shelf.





## Changing side panels ( Built-in oven )

[Remove rear panel. \( see detailed \)](#)



Remove the screws between side panel and top panel.  
Then slightly hold up and remove the top panel



Remove back screws of side panel.



Remove all screws on the side panel and then pull off side panel





When reassembling the side panel, repeat this procedure backwards.  
And please pay attention to set the side panel onto hooks at rear.

