



# C2233

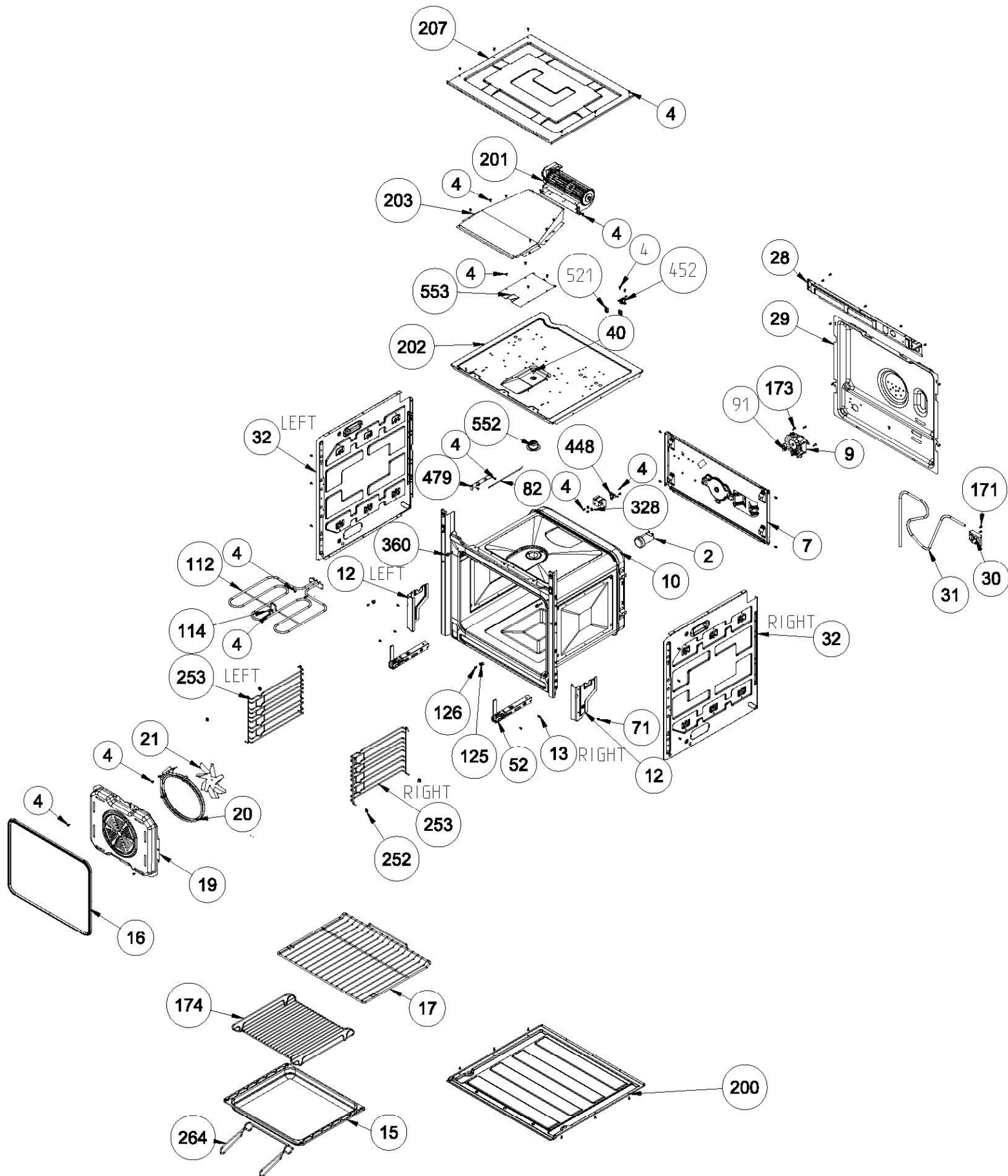
Caple single oven



## Technical information

# C2233

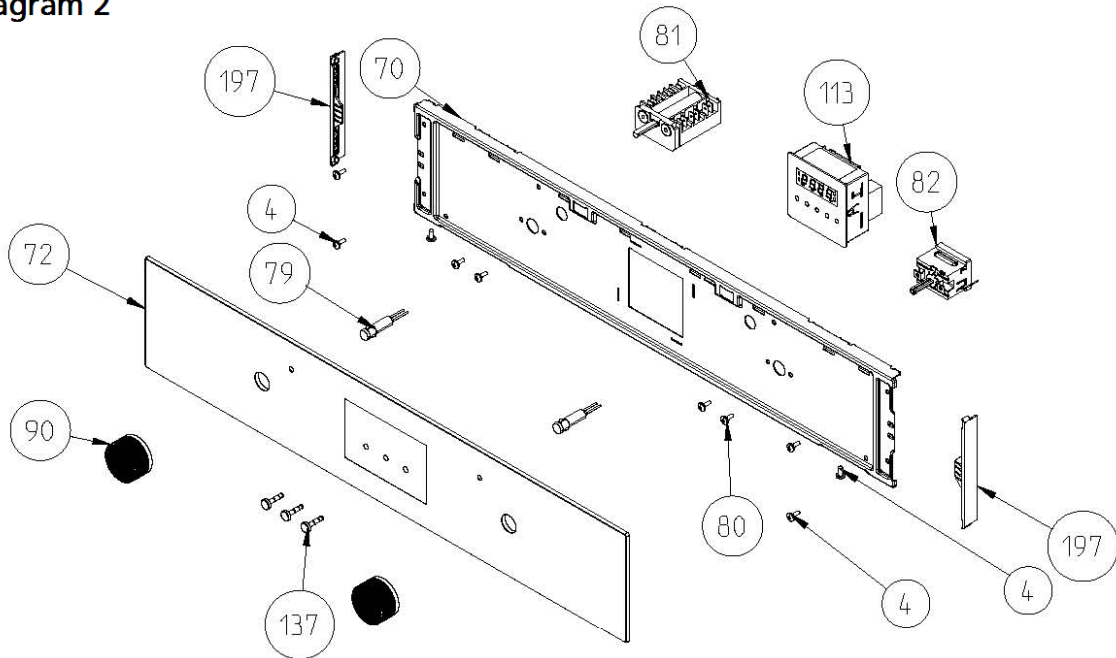
Caple single oven



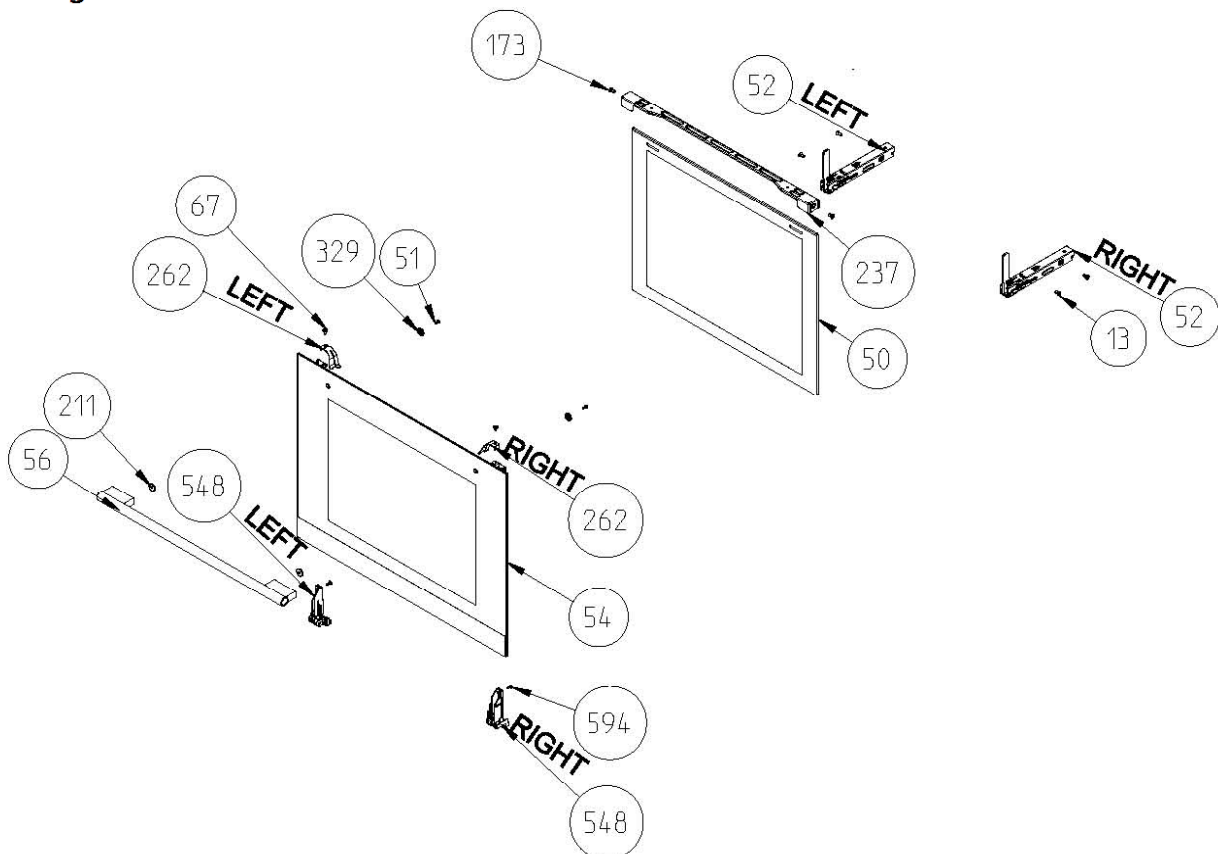
**C2233**

Caple single oven

**Diagram 2**



**Diagram 3**





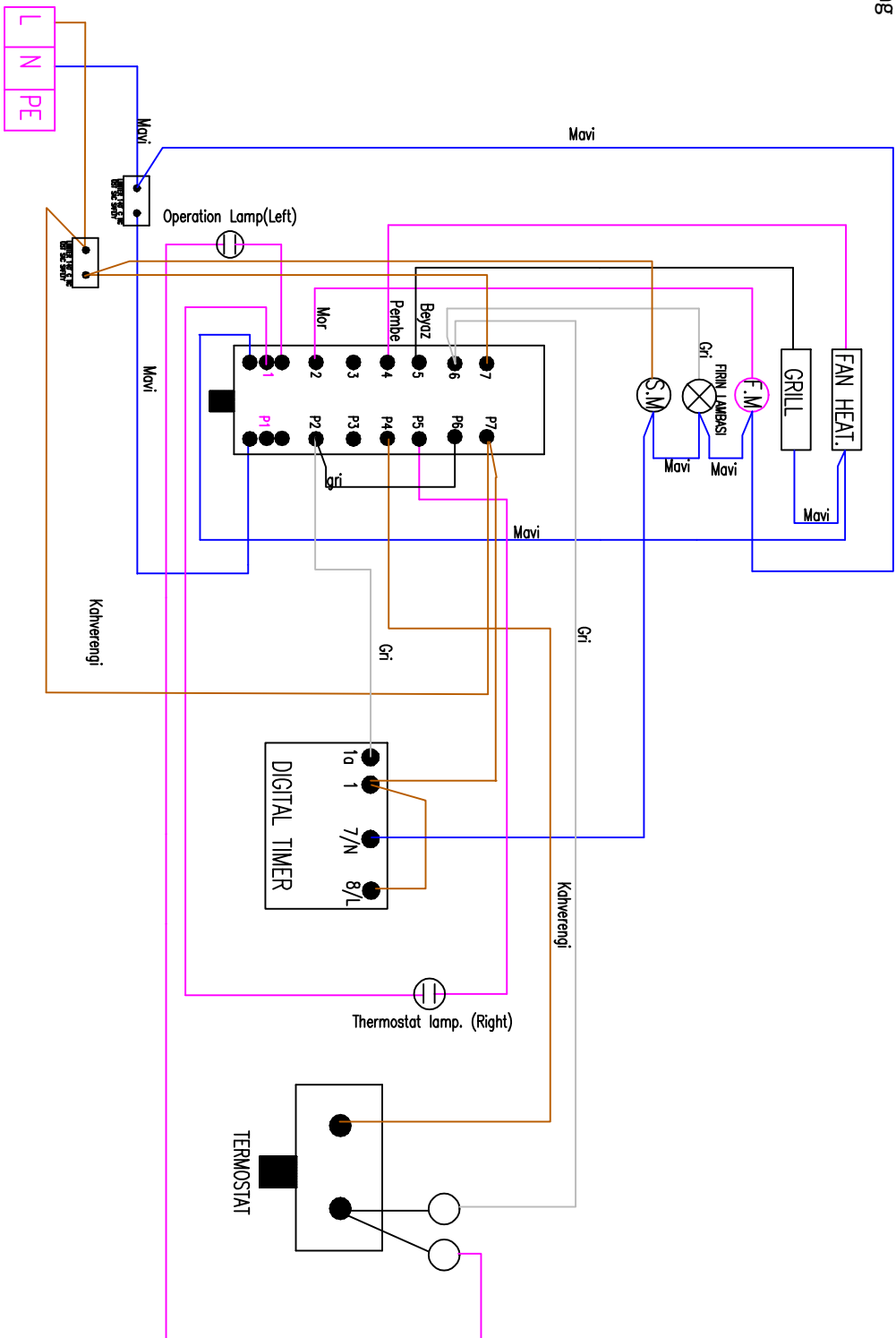
## C2233 - Caple single oven

Diagram	Item	Part Code	Description
1	2	32012966	OVEN LIGHT 230V
1	4	37002148	SCREW (CIRCULAR-HEAD, 3.9*9.5, BLACK)
1	4	37019096	SCREW(CONEHEADED,3.9x9.5 )
1	4	37002004	SCREW (COUNTERSUNK-HEAD, 3.9*9.5)
1	4	37025149	SCREW (RYSB, 3.9x9.5) FORM (A,K,H)
1	9	32013533	FAN MOTOR 230V 23W Cl H
1	10	20873007	CAVITY(NEW BUILT-IN,65,GRILL,IMP,BIK)
1	12	20865035	NEW HINGE COUNTER PART LEFT
1	12	20865034	NEW HINGE COUNTER PART RIGHT
1	13	37002589	SCREW (COUNTERSUNK-HEAD, M4*8, BLACK)
1	15	20757233	TRAY (65), DEEP, BLACK)
1	16	42071677	OVEN DOOR GASKET (60*60)
1	17	37022680	GRID(65IT,ST)
1	19	20766762	FAN COVER (65),NO TURNSPIT,ETC)
1	20	32001562	RING TUBULAR HEATING ELEMENT(230V,2000W)
1	21	37007900	FAN IMPELLER ( 6 WINGS)
1	28	37015698	REAR TOP PANEL (NEW B-IN)
1	29	20612618	REAR PANEL (BUILT-IN,TERMINAL BOX)
1	30	32004175	TERMINAL BOX 16A TH500
1	31	32005226	POWER CORD (UNPLUGGED,WHITE)
1	32	20731613	SIDE PANEL (NEW B-IN, RIGHT)
1	32	20731614	SIDE PANEL (NEW B-IN, LEFT)
1	40	37015965	SCREW (KNURLED, 3.5*9.5, BLUNT TYPE)
1	71	37023099	SCREW (KNURLED, 3.9*6.5)
1	91	35001942	FLANGE NUT M6
1	112	32017913	Grill HEATING ELEMENT(65),230V 1400WEGO
1	114	37016403	TOP AND Grill HEATING ELEMENT CLIP 65l
1	125	42069028	COOKTOP ASSEMBLY PART (NEW G. B-IN, 3P)
1	171	37002702	SCREW (KNURLED, 4.2*9.5, BLUNT TYPE)
1	173	37002304	SCREW (KNURLED, 3.9*13)
1	174	37026488	HANDLE ADAPTED DEEP TRAY GRID
1	200	20731615	BOtOM PANEL (NEW B-IN)
1	201	32005596	COOLING MOTOR 230V  1,5W 50Hz Cl H
1	201	32031879	COOLING MOTOR - FSN00689130006718760001 - SNABD111716000001 FROM 23.11.2017
1	201A	37007900	FAN IMPELLER
1	202	20731616	TOP INSULATION COVER(NEW BUILT-IN)
1	203	37017752	COOLING FAN DUCT (NEW BUILT-IN)
1	203	37028374	COOLING FAN DUCT - FSN00689130006718760001 - SNABD111716000001 FROM 23.11.2017
1	207	20746973	TOP PANEL (NEW B-IN)
1	252	37006985	WIRE SHELF FIXING CLIP
1	253	37015267	WIRE SHELF / RIGHT
1	253	37015268	WIRE SHELF / LEFT
1	264	37026489	DEEP TRAY HANDLE
1	328	37009032	WASHER (ENAMELLED,BLACK)
1	360	42065841	BUILT-IN OVEN DOOR SILICON BUFFER
1	448	32010646	LIMIT THERMOSTAT NC 200°C, 250V, 16A
1	452	32001547	LIMIT THERMOSTAT NO 70QC



## C2233 - Caple single oven

Diagram	Item	Part Code	Description
1	479	37016061	THERMST BULB HOLDER(ELECTRIC,NEW)
1	521	32023787	WIRE SADDLE BO
1	552	37011599	EXHAUST (B-IN,NEW)
1	553	37016411	EXHAUST TOP PANEL (NEW G. B-IN)
1	608	37024382	L1MITER BRACKET WITH SCREWING
2	4	37002148	SCREW (CIRCULAR-HEAD, 3.9*9.5, BLACK)
2	4	37019096	SCREW(CONEHEADED,3.9x9.5 )
2	70	20890464	NBO INNER PANEL/DT,CT/FAR KNOBS/KN/BLK
2	72	20890409	GLASS FRONT PANEL GR (BLACK,O-ADD ON,DP)
2	79	32016342	SIGNAL LAMP BODY
2	80	37002003	SCREW (KNURLED, M4*6)
2	81	32028790	SWTICH 06/16 BO/FS SIGNAL CONTACT GTK
2	82	32028209	CAPILLARY THERMOSTAT 285C NEW DO TCS
2	90	42145063	CAPLE KNOB
2	113	20890459	TIMER
2	137	42130887	TIMER BUTTON (20MM,BLACK)
2	197	42055325	PLASTIC PART
3	10	20873007	CAVITY(NEW BUILT-IN,65,GRILL,LMP,BLK)
3	12	20865035	NEW HINGE COUNTER PART LEFT
3	12	20865034	NEW HINGE COUNTER PART RIGHT
3	13	37002589	SCREW (COUNTERSUNK-HEAD, M4*8, BLACK)
3	50	20827970	B-IN DOOR FULL INNER GLASS
3	51	37026148	SCREW (CIRCULAR-HEAD, M5*12,BLACK)
3	52	37019891	NEW TYPE BUILT-IN OVEN HINGE MODK19
3	54	20890404	OUTER GLASS ASSEMBLY (B-IN,FLAT,WHITE)
3	67	37007772	SCREW (3.9*9.5, SLIM HEAD)
3	71	37023099	SCREW (KNURLED, 3.9*6.5)
3	173	37004757	SCREW (COUNTERSUNK-HEAD, 3.9*13, BLACK)
3	211	42016770	HANDLE ASSEMBLY GASKET
3	237	20796691	DOUBLE GLAZED OVEN DOOR MTLTRIM66B-INBLK
3	262	37019346	FG GLASS SPRING (LEFT,BLACK,T05)
3	262	37019348	FG GLASS SPRING (RIGHT,BLACK,T05)
3	329	42019954	GRADUAL WASHER
3	548	42088174	NEW PLASTIC HINGE SLOT LEFT
3	548	42088175	NEW PLASTIC HINGE SLOT RIGHT
3	594	37020238	SCREW (CIRCULAR HEAD,PT,4X10)
3	377	20890403	FLAT PROF. COMPLETE DOOR(BUILT-IN,BLACK)



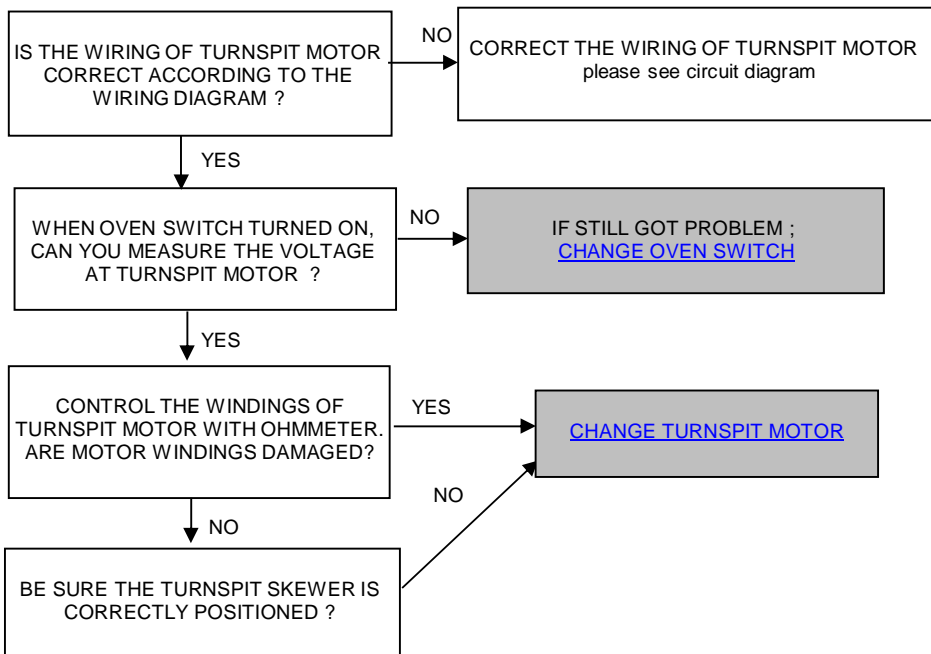
ENGLISH
BLUE
BLACK
RED
BLACK/WHITE
BROWN
WHITE
PURPLE
GREY
PINK
RED/WHITE
BLUE/WHITE
BROWN/WHITE





Electrical component problems

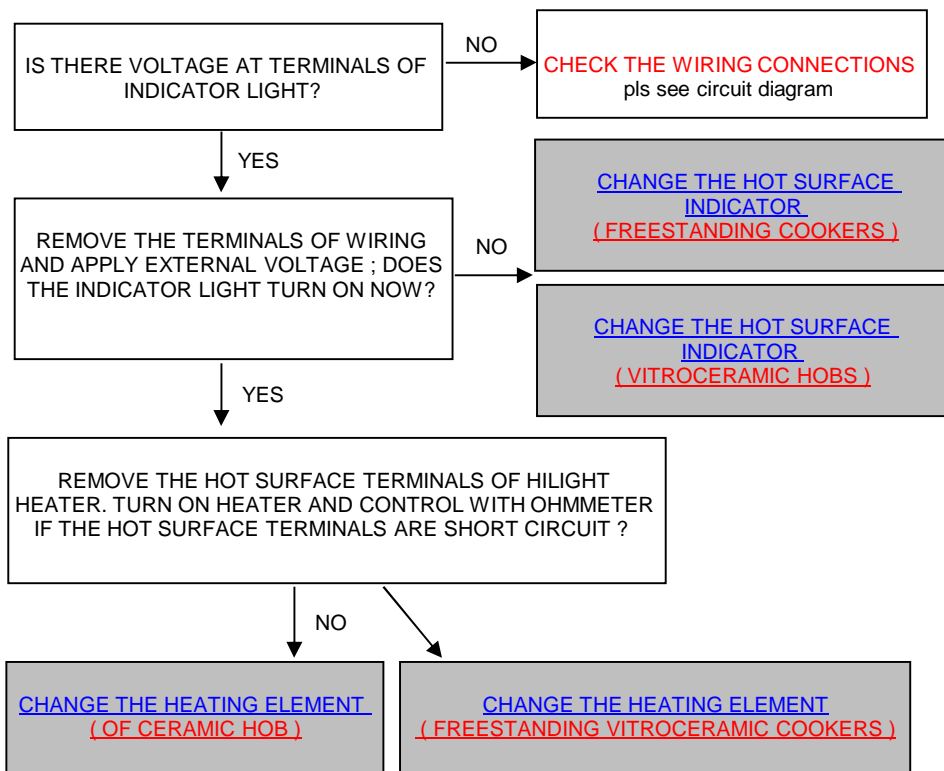
Turnspit problems





Electrical component problems

**Hot surface indicator light  
( residual heat indicator ) not working**



**Hot surface indicator light burnt**

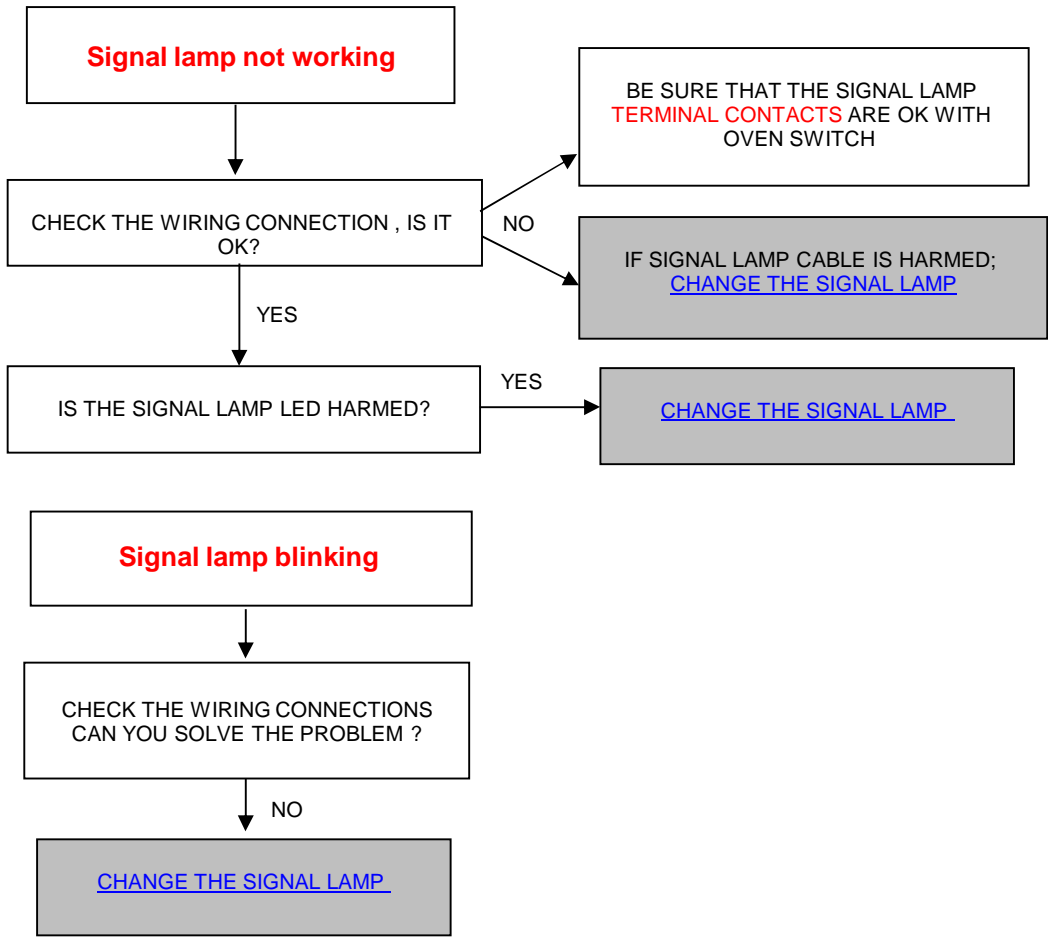
IF IT IS TOO CLOSE TO THE HEATING ELEMENTS ;

CHANGE THE HOT SURFACE INDICATOR LIGHT



Electrical component problems

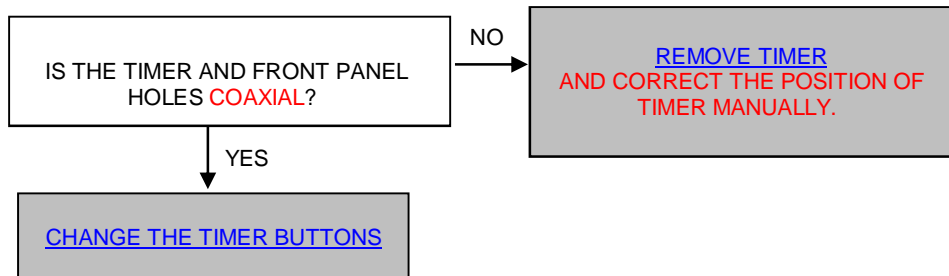
Signal lamp problems :



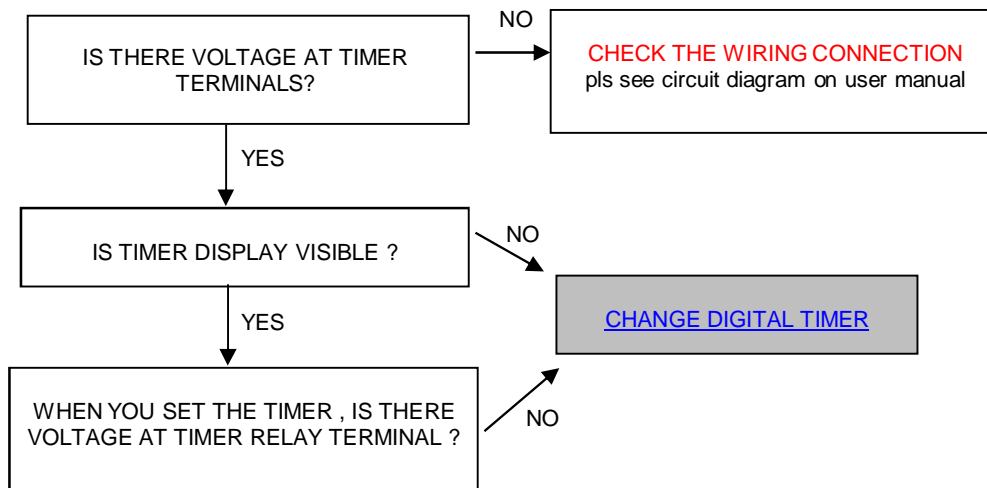


Electrical component problems

Digital timer buttons sticking



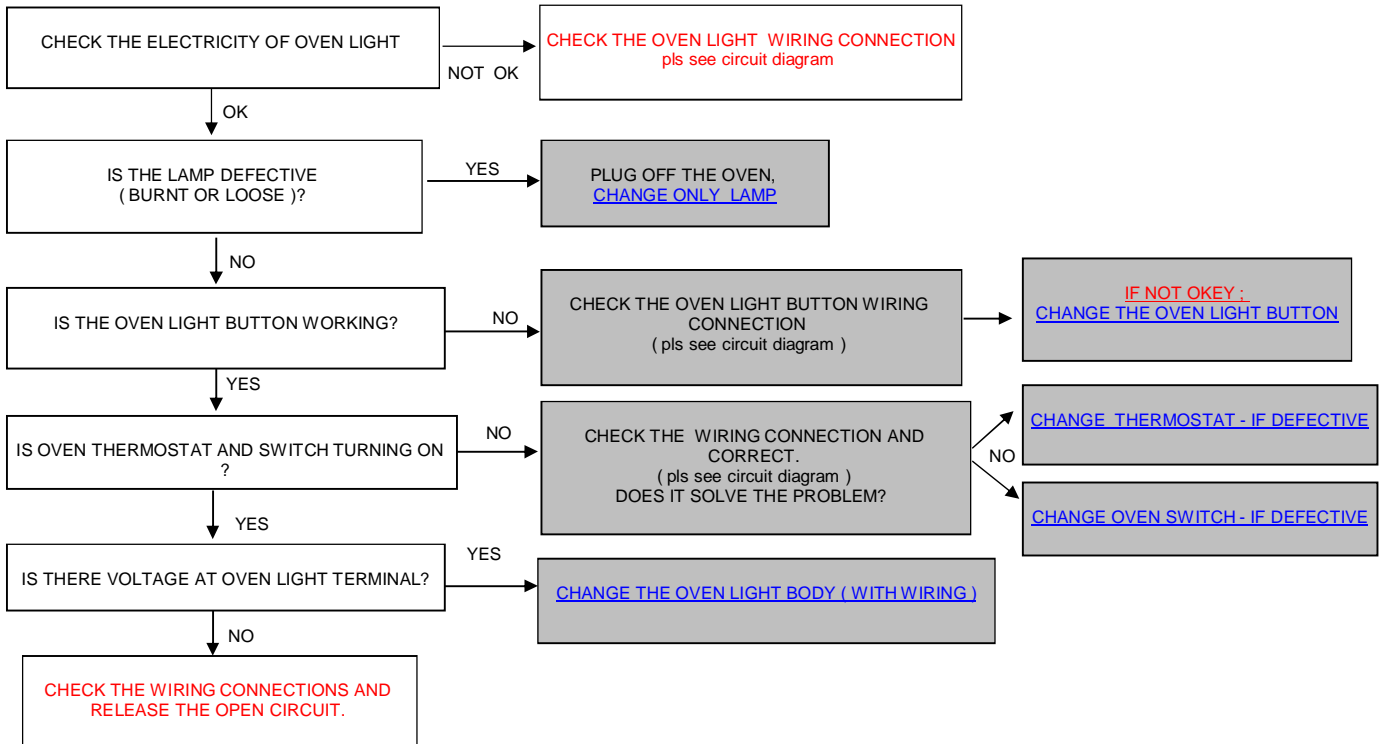
Digital timer not working





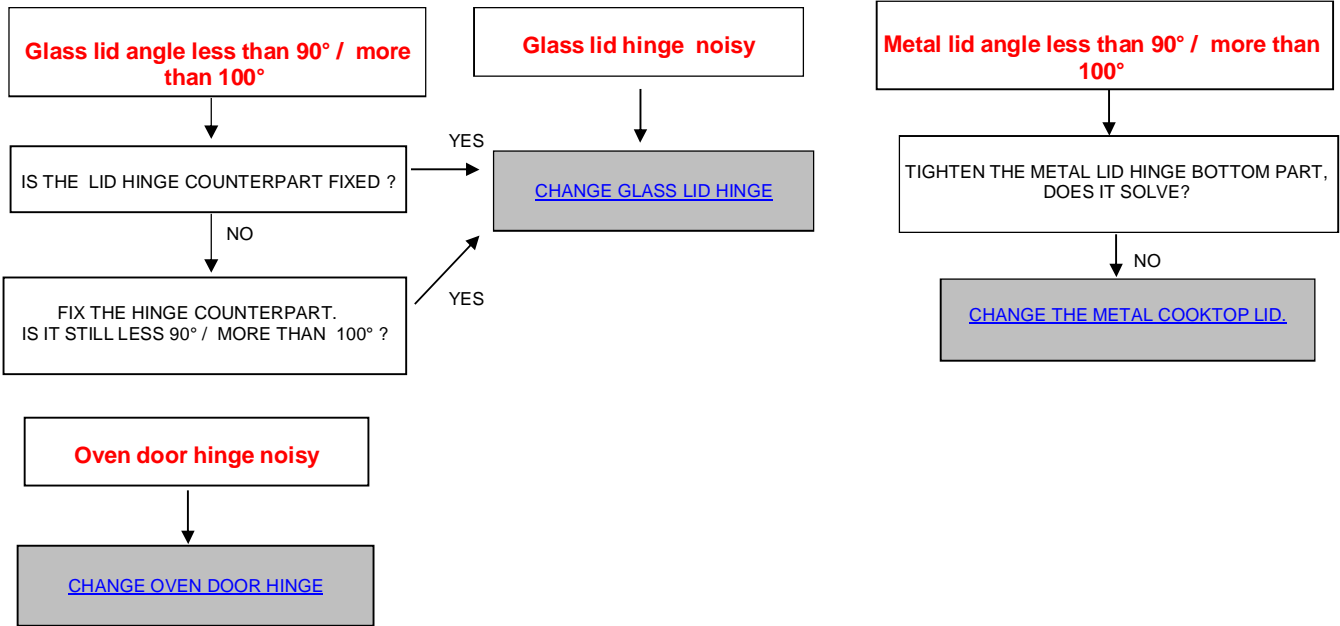
Electrical component problems

Oven light not working

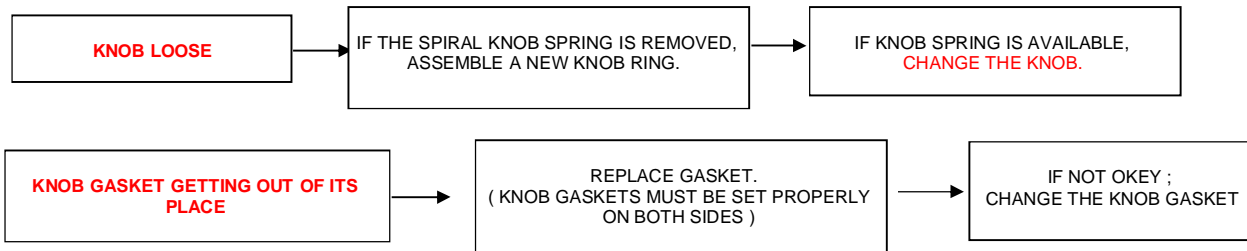


Mechanical component problems : Hinges & Knobs

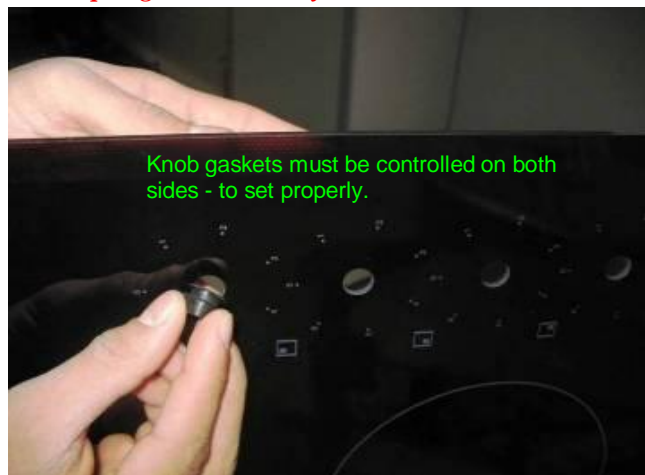
**HINGE PROBLEMS**



**KNOB PROBLEMS**



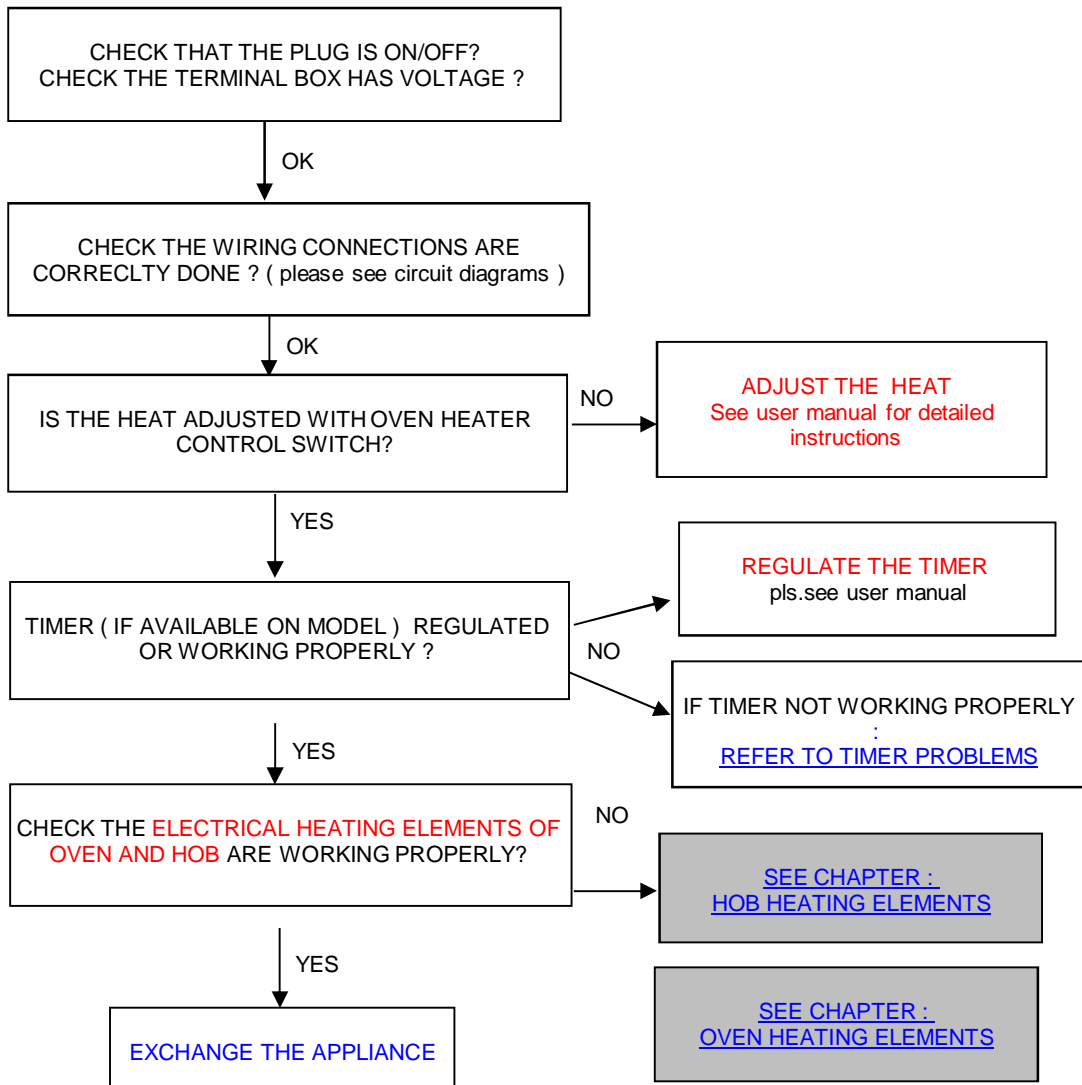
*Before putting on the knob ; be sure the knob segment and knob spring is set correctly*





Cooking problems

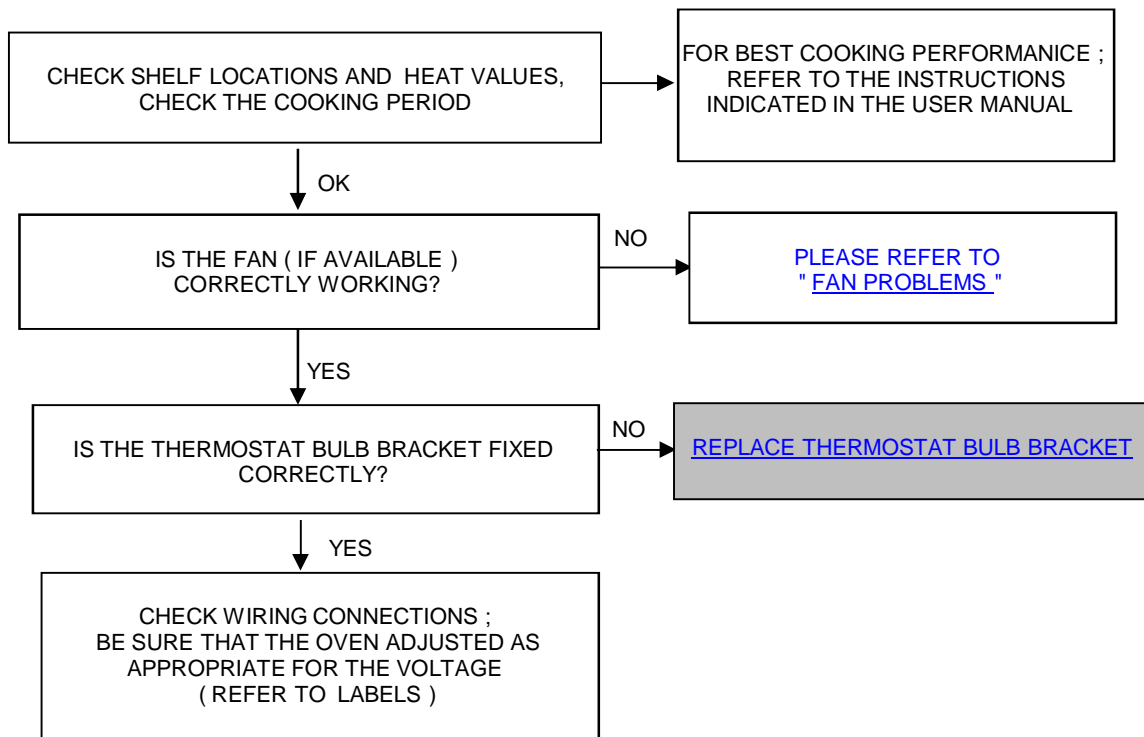
Oven doesnt work





Cooking problems

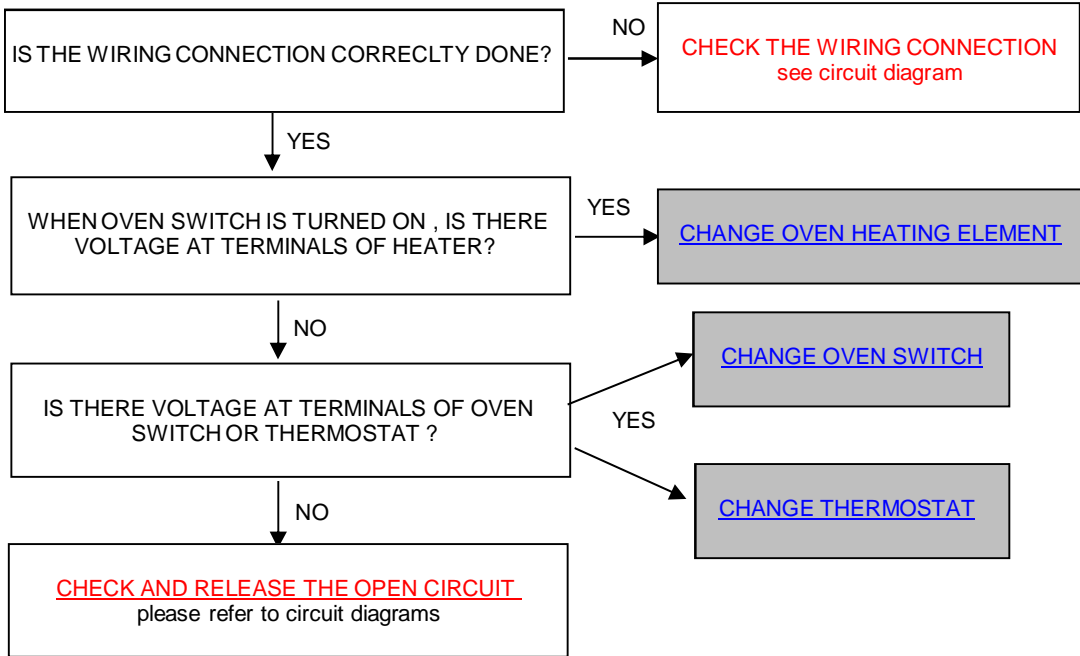
Oven cooking unhomogenously / long cooking period





Electrical component problems

Oven Electrical Heating Element(s) not working ;  
( Top / Bottom / Ring / Grill Heaters )





**Handle Problems :**

If handle is loose ; replace and tighten it. If not solving ; change with a new one

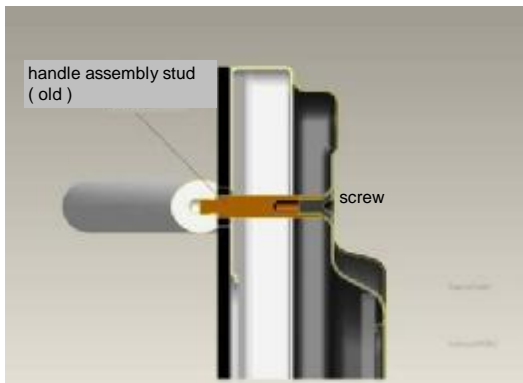


**HANDLE ASSEMBLY TYPES :**

**3D SOLID TYPE OVEN DOOR HANDLE ASSEMBLY**

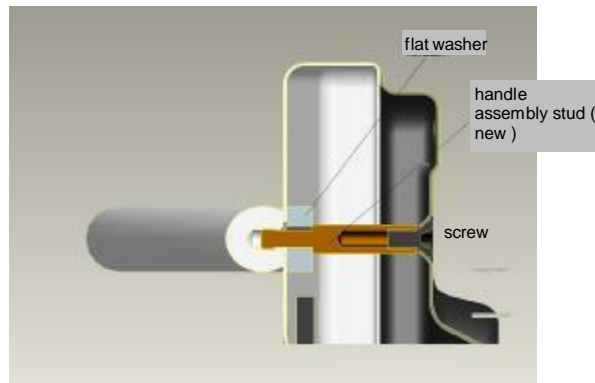
**OLD VERSION**

( For oven doors before production FEB. 2007 )



**LAST VERSION**

( For oven doors AFTER production FEB. 2007 )



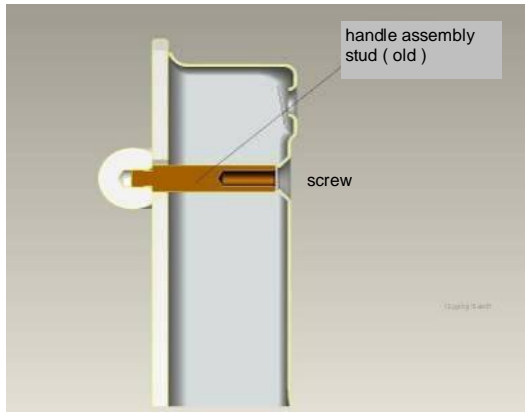
For old version handles ; Handle assembly Group = ( Old Handle assembly stud + screw )

For new version handles ; Handle assembly Group = ( New Handle assembly stud + flat washer + screw )

## SOLID TYPE OVEN DOOR HANDLE ASSEMBLY

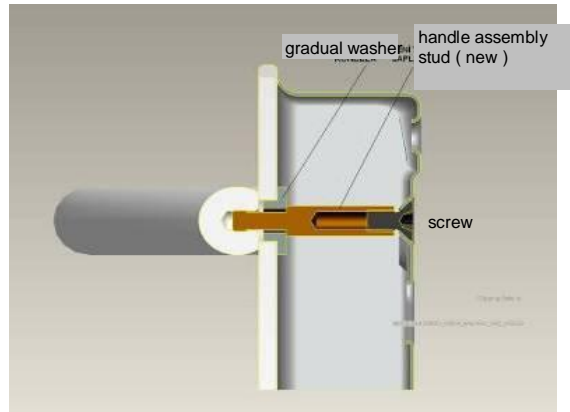
### OLD VERSION

( For oven doors before production FEB. 2007 )



### LAST VERSION

( For oven doors AFTER production FEB. 2007 )



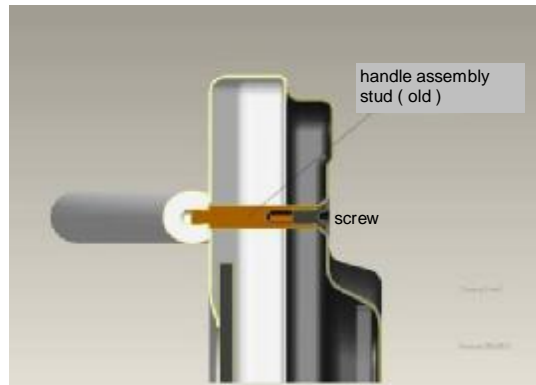
For old version handles ; Handle assembly Group = ( Old Handle assembly stud + screw )

For new version handles ; Handle assembly Group = ( New Handle assembly stud + gradual washer + screw )

## INNER COVER OVEN DOOR HANDLE ASSEMBLY

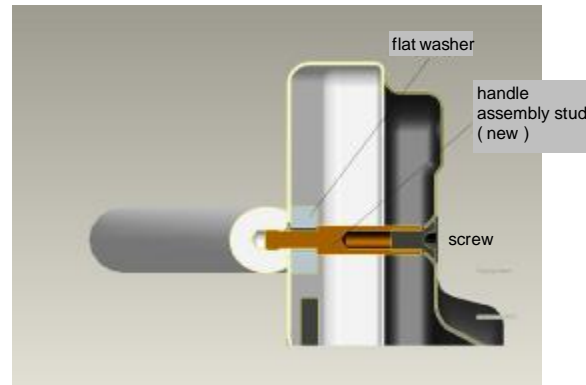
### OLD VERSION

( For oven doors before production FEB. 2007 )



### LAST VERSION

( For oven doors AFTER production FEB. 2007 )





### Changing oven door :

Unlock the oven door hinges first.



Then manually take off the oven door.





### Removing rear panel

#### ( freestanding cookers )

Detach all screws on rear panel to remove



#### ( built-in cookers )

Detach all screws on rear panel to remove



If available, power cord terminals must be taken off from the rear panel



### **Changing oven light button / ignitor button**

Remove front panel ( see detailed )



***Attention : Do not push back the front panel hardly and fast ; this may cause the button wirings get harmed. Please hold it until you take off the terminal contacts.***

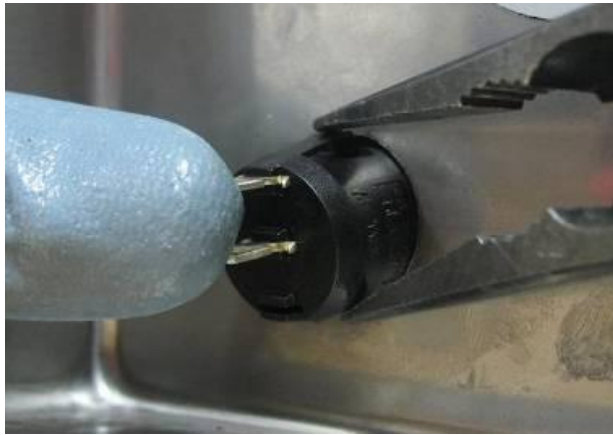


Remove the plastic contacts of wiring terminals ( with a nippers )



Then push the hooks surrounding and push forward the button to remove.





Insert a new button ; set it appropriate into the hole.



*Reassemble the wiring terminals to button ;  
and please pay attention the cables not to be destroyed while mounting the front panel.*



*- All steps are similar for the ignitor button.*

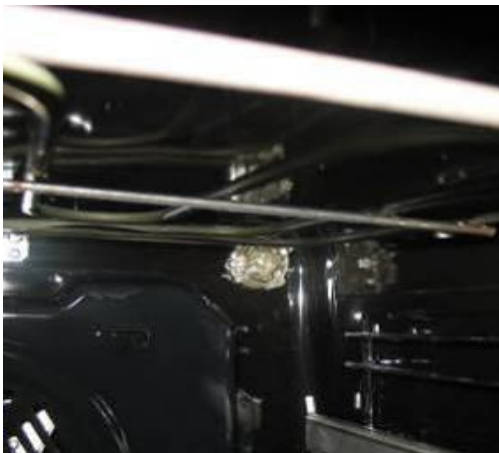




### Changing oven light :

Before replacing the lamp, disconnect the appliance from the electricity supplies. Remove the glass protection cover by turning. Then pull back the lamp. If the oven lamp has to be changed the new lamp must have the following rating:

**25W - 230Vac - 50 Hz - E14 - resistant to high temperatures (300°C)**



[Remove rear panel. \( see detailed \)](#)

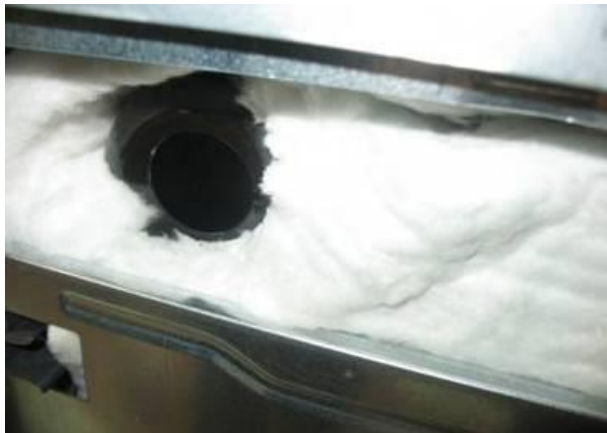


Pull of the electrical connections of oven light

If harmed/defective, change the wiring harness



Press the hooks on the oven light (by a screwdriver) and then push into the cavity.



Pay attention that : the oven light is replaced appropriate to its hole on cavity





## Changing fan motor

Remove fan cover first.



Then pull back and remove fan :



[Remove rear panel. \( see detailed \)](#)

Unscrew the fan motor from the rear inner panel



Remove the wiring harness of fan motor manually,  
then the fan motor will be free.



## Changing turnspit motor

[Remove rear panel. \( see detailed \)](#)

Unscrew the turnspit motor from the rear inner panel



Take off the wiring connections and remove motor.



## Changing Oven Electrical Heating Elements

### 1. Ring ( circular ) Heating Element :

[Remove fan cover.\( see detailed \)](#)

Unscrew the ring heating element from the rear of cavity.



Pull out the wiring connections manually. The ring heater will be free then.

### 2. Top& Grill Heating Element :

Remove **Top heating element bulb bracket** manually ( at middle )



Unscrew the top&grill heating element from the rear of cavity.

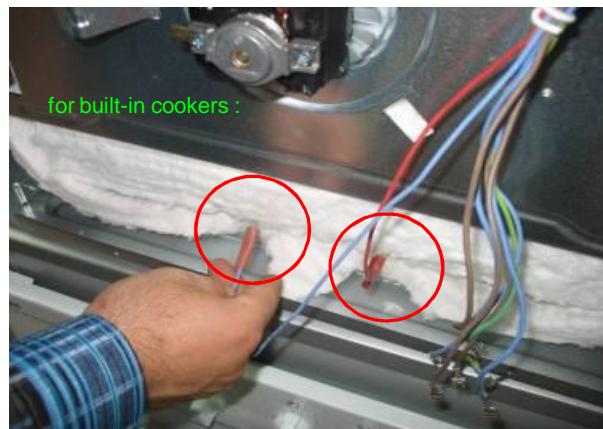


Pull out the wiring connections manually. The ring heater will be free then.

### 3. Bottom Heating Element :

[Remove rear panel. \( see detailed \)](#)

Pull off the terminals of bottom heating element.



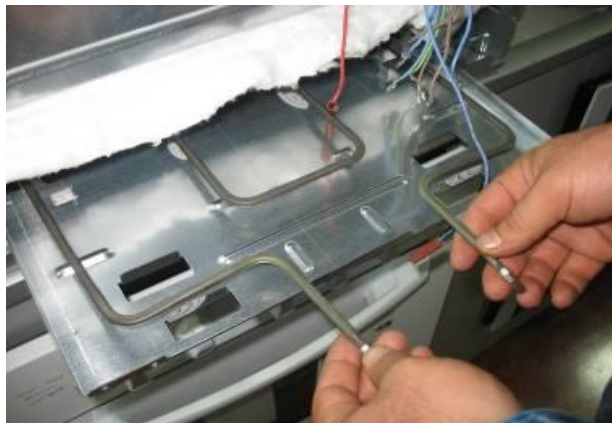
Take up the wrapping insulation ( rockwool ) slightly ,  
then unscrew the right and left connections of bottom heating element.



Press down the bottom heating element cover, then pull slightly backwards.



Hold up the heating element slightly and take out.



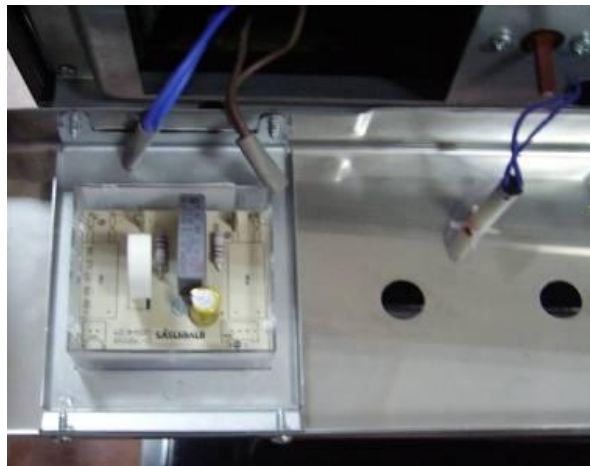
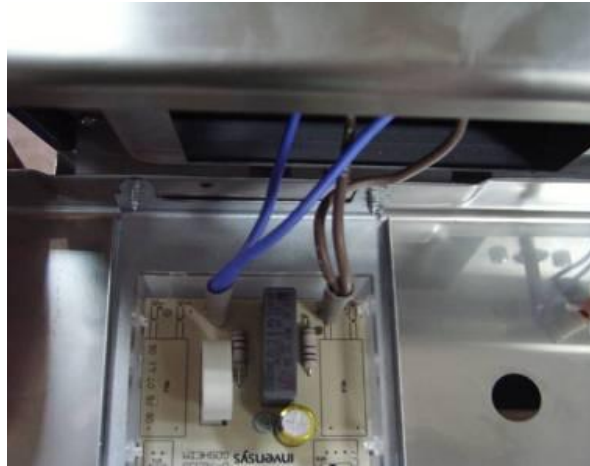
Repeat this procedure backwards ; to replace the component.



## Changing Digital Timer

[Remove front panel \( see detailed \)](#)

Pull off the cable contacts from Digital timer



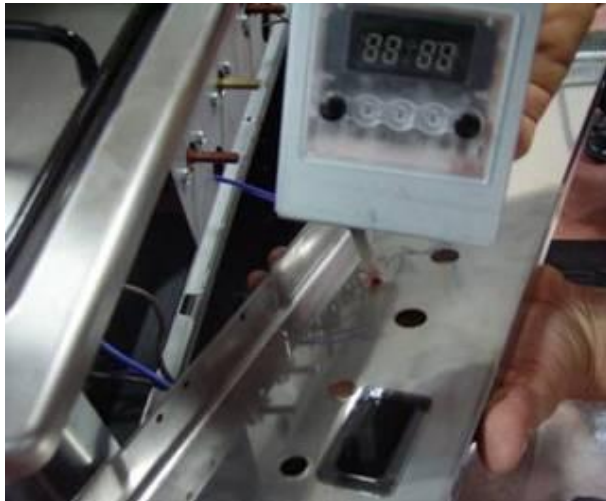
Unscrew the Digital timer – from the front panel



Correct the position of timer and check if problem solved.



If still not solved ; change the timer buttons.



If problem can not be solved; change digital timer.



## Changing Mechanical Timer

[Remove front panel \( see detailed \)](#)

Unscrew the mechanical timer from the inner panel.





## Changing Function Selector Switch :

[Remove front panel \( see detailed \)](#)



Pull off the signal lamp manually - to remove from the panel



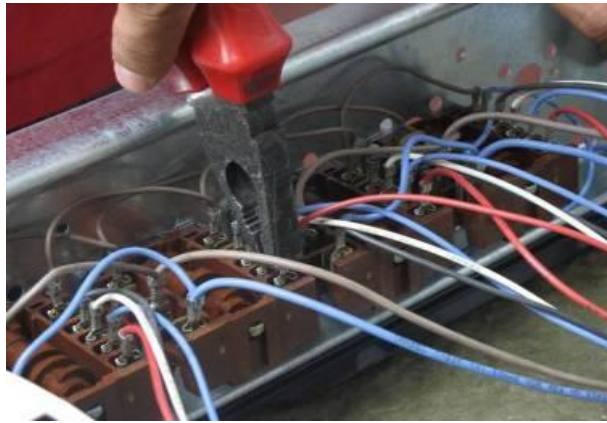
[Remove cooktop \( see detailed \)](#)



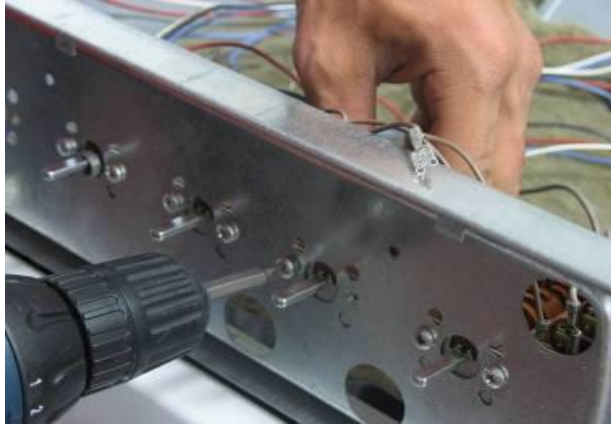
On the left; 4 hotplate switches and on the right; function selector switch.



Remove wiring contacts out of the switch ; by a nippers.  
( While reassembling the wirings, please refer to circuit diagrams )



Then unscrew the switch from the inner panel

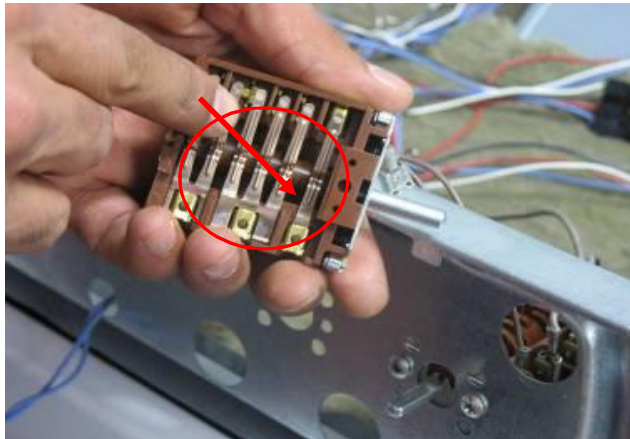


Please hold the switch from its surroundings - not from its top and bottom surfaces



**Do not compress the bottom plates of switch !**

In this case, you may cause short circuit and switch may not work correctly.





### Changing thermostat :

[Remove front panel \( see detailed \)](#)

Pull off the signal lamp manually - to remove from the panel



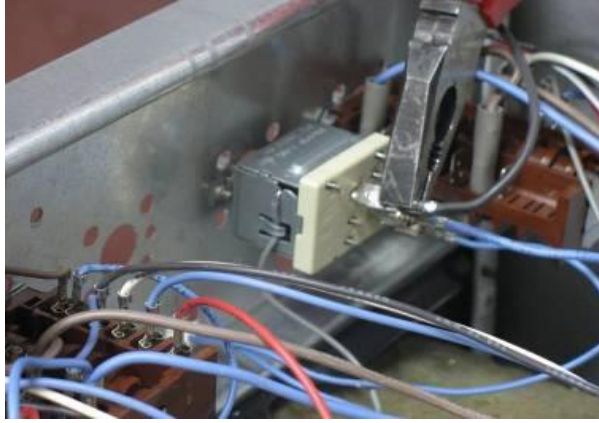
[Remove cooktop \( see detailed \)](#)



Thermostat and oven switch is placed on the left side of the cooker



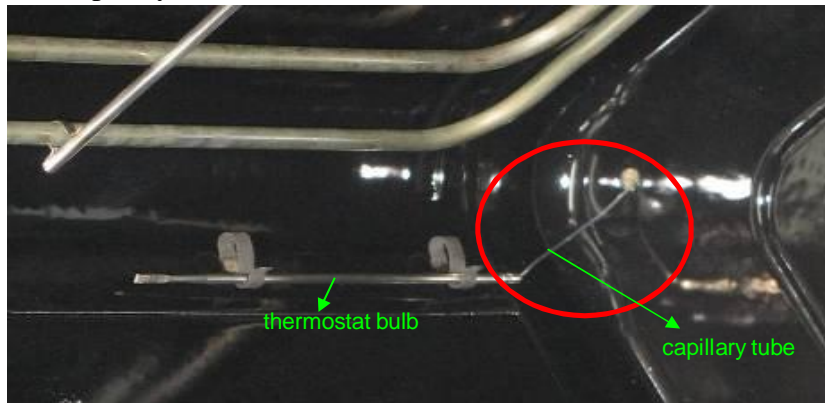
Remove wiring connections by a nippers



Unscrew the thermostat from the inner panel



The capillary tube of thermostat; ends on the thermostat bulb inside cavity



Manually remove thermostat bulb out of its brackets.



[Remove the oven rear panel\( see detailed \)](#)

Now it is safe to pull back and remove thermostat bulb from the rear outlet.  
Thermostat becomes free then.





## Changing the signal lamp body :

[Remove front panel \( see detailed \)](#)

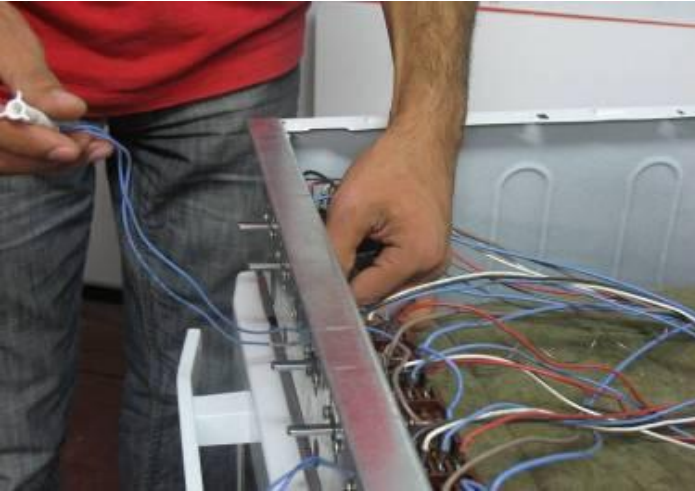
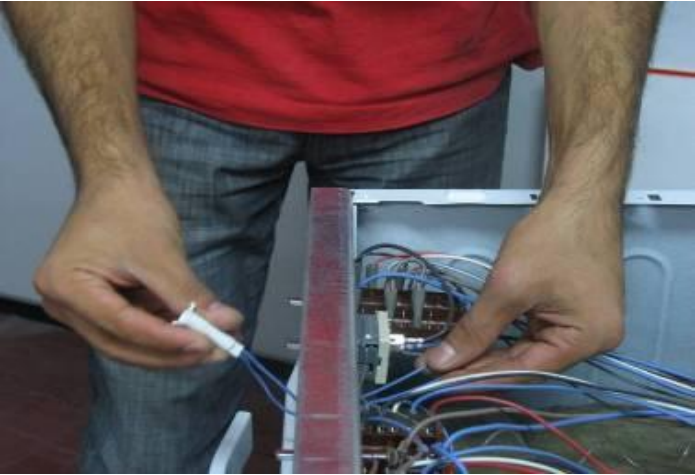
Pull off the signal lamp manually - to leave free from the panel



[Remove cooktop \( see detailed \)](#)



Remove the signal lamp body manually.





## Removing front panel ( built-in cookers )

Remove knobs manually



Remove the bottom screws of front panel



Hold up slightly and remove panel.



If available on your oven ;

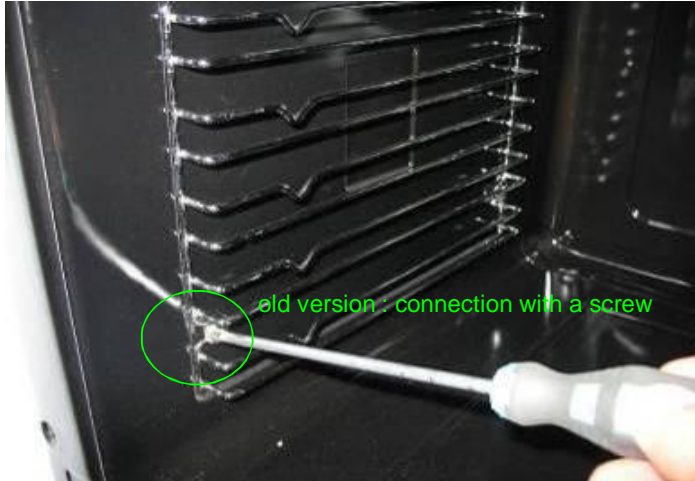
Pull off the wiring connections of ignitor/oven light button.



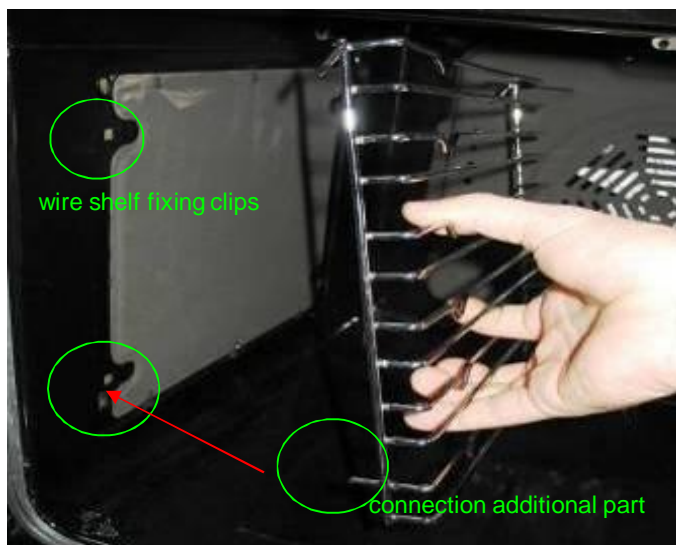


## Wire shelves

Old type ( screwed onto cavity )



New type( Revision: March 2007 ) ( set wire shelf into clips - manually )



To change telescopic rails , unscrew the connections on wire shelf.





## Changing side panels ( Built-in oven )

[Remove rear panel. \( see detailed \)](#)



Remove the screws between side panel and top panel.  
Then slightly hold up and remove the top panel



Remove back screws of side panel.



Remove all screws on the side panel and then pull off side panel





When reassembling the side panel, repeat this procedure backwards.  
And please pay attention to set the side panel onto hooks at rear.

