



C2229

Caple single oven

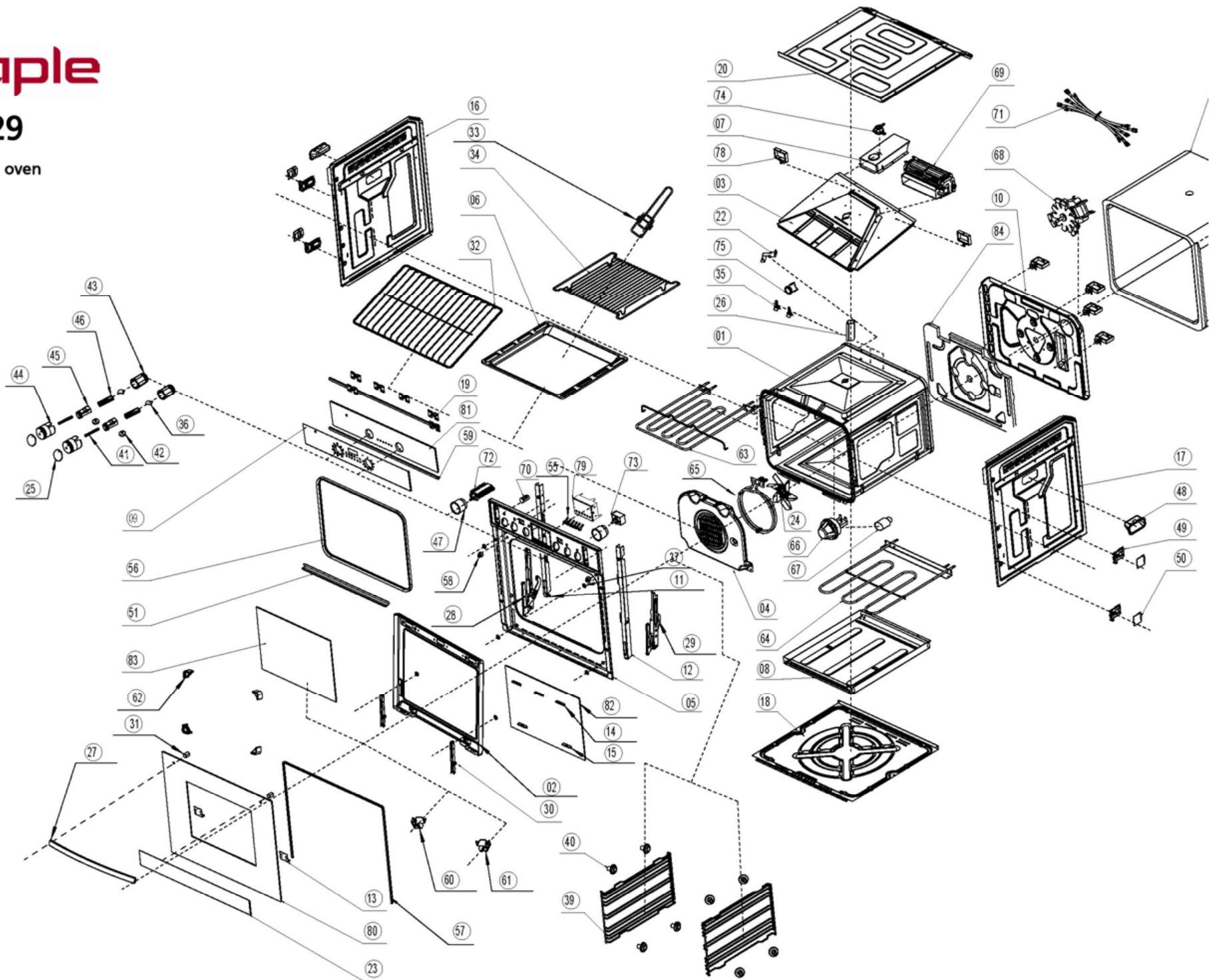


Technical information



C2229

Caple single oven





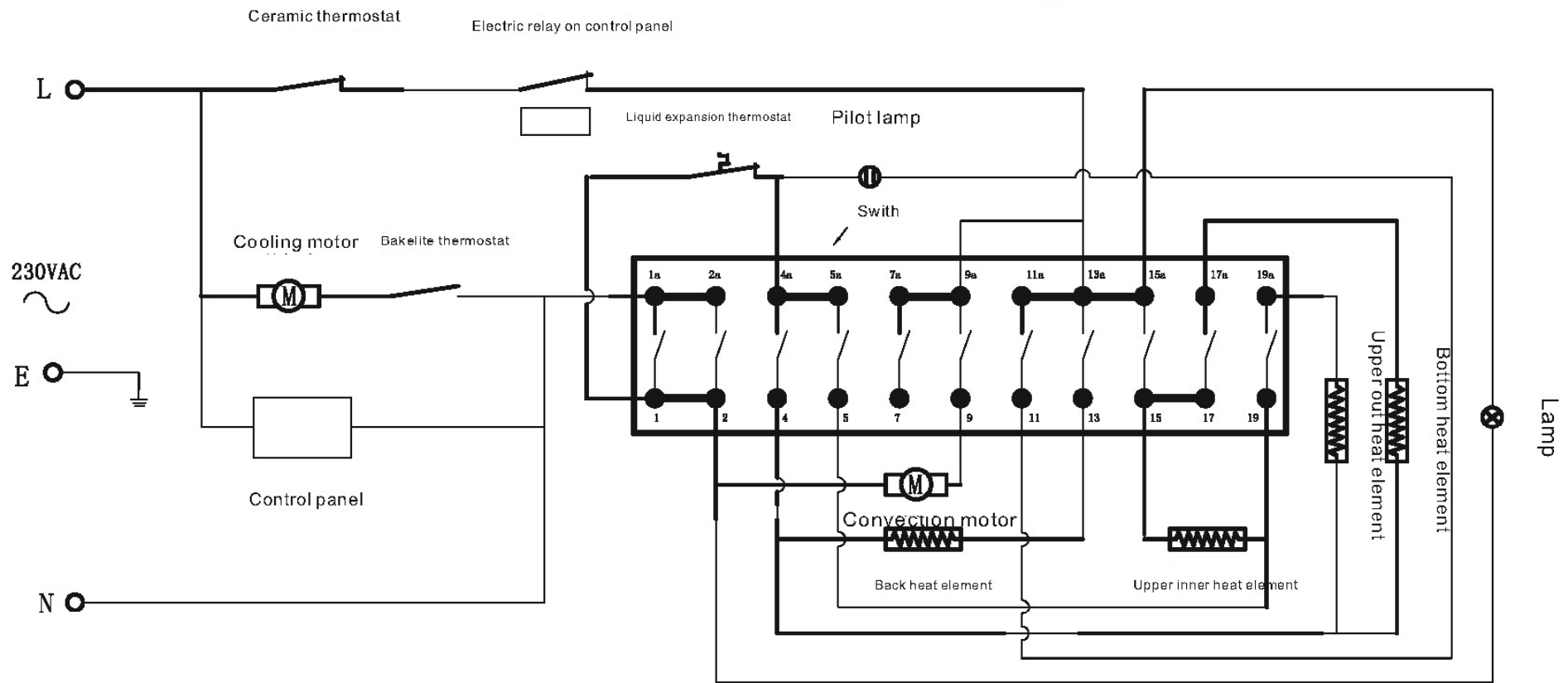
C2229 - Caple single oven

Item	Part Code	Description
1	11010300004596	Enamelled cavity
2	11010300010596	Door frame
3	11010000001	Cooling tunnel
4	11010300008596	Convection fan cover
5	11010300024596	Front panel
6	11010300029596	Drip pan
7	11010000006	Steam vent
8	11010000008	Bottom heater reflected board
9	11010200011.001	Control panel
10	11010000009	Rear heat-insulation board
11	11010000012	Left supporter
12	11010000013	Right supporter
13	11010400013	Face glass fixer
14	11010400014	Inside glass top fixer
15	11010400015	Inside glass bottom fixer
16	11010100005	Left housing
17	11010100001	Right housing
18	11010100002	Bottom housing
19	11010400003	Control panel fixer
20	11010100003	Top housing
21	11010100004	Rear housing
22	11010400009	Thermostat fixer
23	11010200014.005	Door face panel
24	11010000004	Convection fan
25	11010100007568	Pull-push knob cover
26	11120100001	Steam pipe
27	11120100005	Door handle
28	11130000010	Left hinge
29	11130000011	Right hinge
30	11130000012	Hinge base
31	11120100007	Door frame supporter
32	11070100001	Sliding ware
33	11070000002	Drip pan clamp
34	11070200001	Grill ware
35	11010000014	Thermostat fixing clip
36	11010000015	Knob fastener
37	11010000016	Screw washer
38	11070000004	Iron wire
39	11070200002	Rack
40	11120100006	Rack supporter
41	11100100001	Spring
42	11120100008	Sliding block
43	11020100011571	Pull-push knob base



C2229 - Caple single oven

Item	Part Code	Description
44	11020100004571	Pull-push knob
45	11020100006	Sliding tube
46	11020100007	Sliding pole
47	11020100008	Switch sheath
48	11020000001	Carry handle
49	11020000002	Installation block
50	11020000003	Installation insert
51	11020000004	Door flume
52	11020000005	Wiring box base
53	11020000006	Wiring box insert
54	11020000007	Wire fixer
55	11020000031571	Button
56	11030100023	Cavity seal rubber
57	11030100004	Door seal rubber
58	11030100009	Door buffer
59	11110100001	Control panel underlay
60	11020000011	Left hinge glove
61	11020000012	Right hinge glove
62	11030100006	Inner glass fixer
63	11040100002	Upper heater
64	11040100001	Bottom heater
65	11040100003	Rear heater
66	11040000001	Lamp socket & cover
67	11040000002	Lamp
68	11040000005	Convection motor & fan
69	11040000008	Cooling motor & fan
70	11040000009	Indicator
71	11040400005	Inner wires
72	11040200002	Function switch
73	11040000011	Thermostat II
74	11040000012	Thermostat I
75	11040000013	Thermostat III
76	11040500005	Power supply cord
77	11040600001	Terminal connector
78	11020000008	Wire clip
79	11040300026	PCB
80	88000000364	Face glass
81	88000000453	Control panel glass
82	88000000363	Inside glass
83	11080100015	Middle glass
84	11130100005	Rear heat-insulation fiberglass
85	11130100003	Body heat-insulation fiberglass
	Assembly Parts	Assembly Description
A	88000000497	C2229 / Door
B	88000000453	C2229 Control panel assembly
C	88000000494	C2229 Knob



状态 档位	1-1	2-2	4-4	5-6	7-7	9-9	10-10a	11-11a	13-13a	15-15a	17-17a	19-19a
0 空档												
1 1档	●	●										
2 2档	●	●				●						
3 3档	●	●	●					●		●	●	●
4 4档	●	●	●			●		●		●	●	●
5 5档	●	●	●					●		●		●
6 6档	●	●	●			●		●	●	●	●	
7 7档	●	●	●			●		●	●	●	●	
8 8档	●	●		●				●		●		
9 9档	●	●		●		●		●		●		

Gear funtion details

- 0 Cooling motor on
- 1 Cooling motor on , lamp on
- 2 Cooling motor on, lamp on, convection motor on
- 3 Cooling motor on, pilot lamp+lamp on, upper(inner+out) +bottom heat element on(base on #A)
- 4 Cooling motor on, pilot lamp+ lamp on, upper(inner+out) +bottom heat element on, Convection motor on(base on #A)
- 5 Cooling motor on, pilot lamp+ lamp on, upper(inner+out) on(base on #A)
- 6 Cooling motor on, pilot lamp+ lamp on, bottom heat element+back heat element on, Convection motor on(base on #A)
- 7 Cooling motor on, pilot lamp+ lamp on, back heat element on, Convection motor on(base on #A)
- 8 Cooling motor on, pilot lamp+ lamp on , upper inner heat element on(base on #A)
- 9 Cooling motor on, pilot lamp+ lamp on , upper inner heat element on, convection motor on(base on #A)

#A: means need to open the temp. function, choose temperature

●—● means point A and B connect directly

●—● means point A and B connect via wire



C2229

Cable single oven