



INCH

Caple INCH Integrated Motor

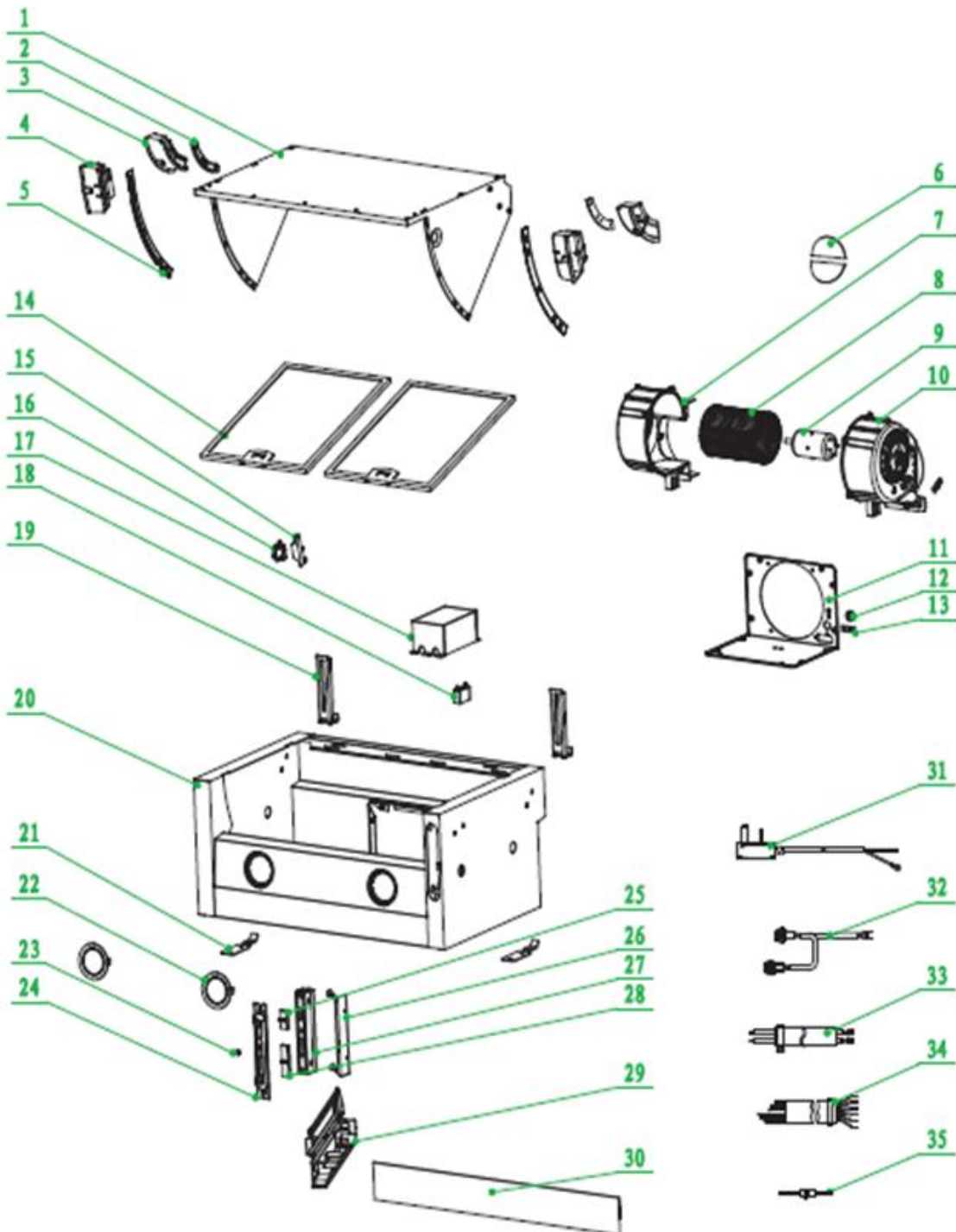


Technical Manual



INCH

Caple INCH Integrated Motor





INCH - Caple Integrated Motor

Item	Part Number	Description	QTY
1	09010100195058	Rotating board	1
2	09020100079	Rotating strip II	2
3	09020100073	Rotating bracket II	2
4	09020100072	Rotating bracket I	2
5	09020100078	Rotating strip I	2
6	09020200095	Blade	2
7	09020200099	Left blower	1
8	09020700053	Fan wheel	1
9	09040100139	Motor	1
10	09020200100	Right blower	1
11	09010600549058	Blower bracket	1
12	09030100045	wiring protector	1
13	09020000168	Wiring clamp	2
14	09070100014	Aluminium mesh	2
15	09020300035	Microswitch box	1
16	09040300010	Microswitch	1
17	09010300001058	Electrical box holder	1
18	09040200019	Capacitor	1
19	09010600026058	Hanging panel I	2
20	09010102457058	Body assy	1
21	09010600024058	Hanging panel II	2
22	09040400071	LED	2
23	09020400011	Indicator-lamp cover	1
24	09020100030	Switch board	1
25	09020100038	Switch pushing board II	1
26	09010600028	Switch bracket	1
27	09040300041	Slide switch	1
28	09020100035	Switch pushing board I	1
29	09020300030	Switch box	1
30	9020100067	Support bracket	1
31	09040700109	Power cord	1
32	9040600213	Lamp cord	1
33	9040600212	Microswitch cord	1
34	9040600211	Slide switch cord	1
35	09040600202	Fuse assy	1
36	9050101616	Instruction manual	1
37	09060102908	Packing box	1



Caple INCH Wiring Diagram

