



**BUCH**

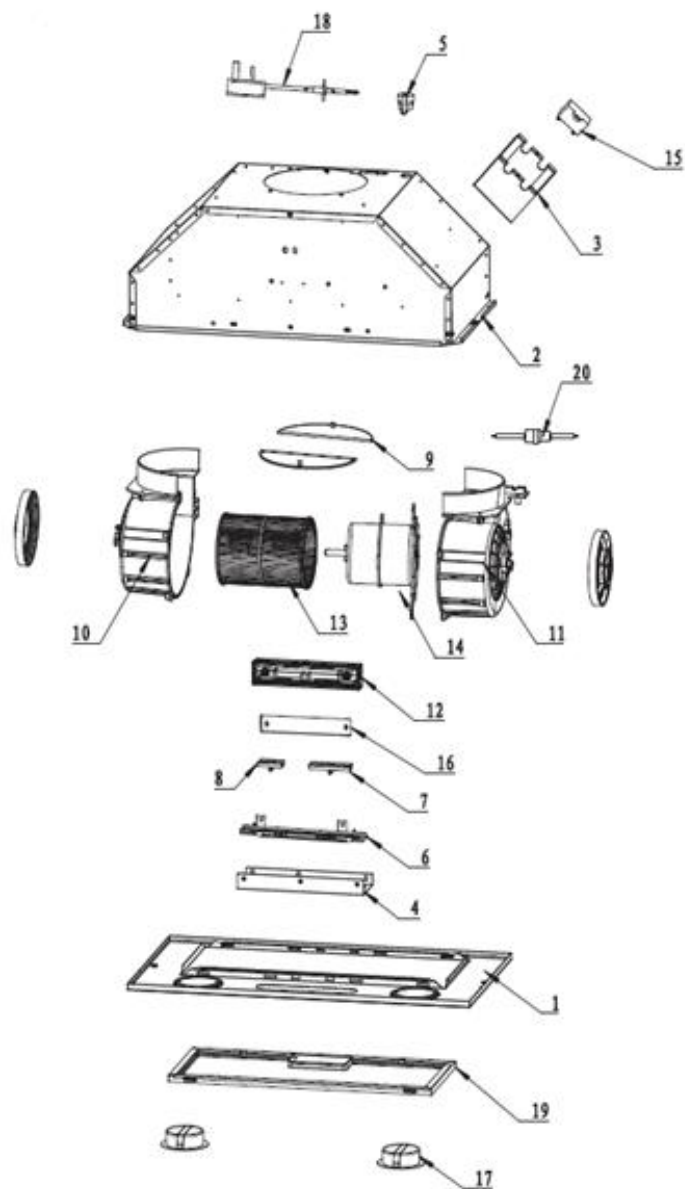


**Technical Manual**



## BUCH

Caple BUCH - Built Under Extractor





## Caple BUCH - Built Under Extractor

<b>NO</b>	<b>Part Number</b>	<b>Description</b>	<b>QTY</b>
1	09010102442	Front panel	1
2	09010102437001	Body assy	1
3	09010300001058	Electrical box holder	1
4	09010600546	Switch bracket	1
5	09020000006	Wiring clamp	1
6	09020100030	Switch board	1
7	09020100035	Switch pushing board I	1
8	09020100038	Switch pushing board II	1
9	09020200095	Blade	2
10	09020200099	Left blower	1
11	09020200100	Right blower	1
12	09020300030	Switch box	1
13	09020700053	Fan wheel	1
14	09040100139	Motor	1
15	09040200019	Capacitor	1
16	09040300041	Switch	1
17	09040400071	LED	2
18	09040700109	Power cord	1
19	09070100121	Aluminium mesh	1
20	09040600202	Fuse assy	1
21	09060102907	Packing box	1
22	09050101615	Instruction manual	1