



Built Under Extractor Instruction Manual

BUCH



Contact Caple on 0117 938 7420 for spare parts or www.caple.co.uk

CONTENTS

Safety Instructions	3
Environmental Protection	9
Product Overview	10
Ducting Options	11
Installation	12
Operation	14
Cleaning and Maintenance	14
Caple Contact Details	16

IMPORTANT

Please read this instruction manual before installing and using this cooker hood. Keep this instruction manual in a safe place for future reference.

- Never pull the power cable as you could damage it. If the appliance is faulty, do not attempt to repair it. Isolate it from the mains electric supply and contact Caple Service either by phone 0117 938 7420 or email service@caple.co.uk
- Keep all packaging (including plastic bags, polystyrene foam etc) out of the reach and away from children.
- Do not rest large or unstable objects on any part of the appliance.
- Caple cannot be held responsible for injuries or losses caused by incorrect use or installation of this product.
- Please note that Caple reserve the right to invalidate the guarantee supplied with this product following incorrect installation or misuse of the appliance. Under no circumstances should any external covers be removed for servicing or maintenance except by suitably qualified personnel.

INSTALLATION WARNINGS:

- Do not operate the appliance before it is fully installed.
- Only a qualified and trained service technician can undertake the work of installation and servicing.

- Two or more people are required to install or move this appliance. Failure to do so can cause physical injuries.
- Caple is not responsible for any damage that may be caused by defective placement and installation by unauthorised persons.
- When unpacking the appliance, make sure that it is not damaged during transportation. In the case of any defect; do not use the appliance and contact your retailer or Caple Service immediately.
- Materials used for packaging (nylon, staplers, Styrofoam etc) may cause harmful effects to children they should be disposed of immediately.
- Protect your appliance against atmospheric effects. Do not expose it to effects such as sun, rain, snow etc.
- The surrounding materials of the appliance (i.e. kitchen cabinet or furniture) must be able to withstand a minimum temperature of 120°C.

ELECTRICAL SHOCK HAZARD

- Only plug this unit into a properly earthed outlet. If in doubt seek advice from a suitably qualified engineer.
- Failure to follow these instructions can result in death, fire, or electrical shock.
- To protect against fire, electrical shock and injury to persons, do not immerse cords or plugs in water or any other liquid.

- Do not use any accessories or attachments not recommended by Caple as this may result in fire, electric shock or injury.
- Never touch the appliance with wet or damp hands.
- This appliance must be connected to the mains by a competent person. We recommend that the appliance is connected by a qualified electrician who is a member of the N.I.C.E.I.C who will comply with the I.E.E and local regulations. Electrical information can be found on the rating plate.
- Check that the mains voltage corresponds to the one indicated on the rating plate fixed inside the hood.
- **WARNING:** Failure to install the screws or fixing device in accordance with these instructions may result in electrical hazards.

SAFETY INSTRUCTIONS:

- When using a gas hob, do not leave naked flames under the extractor.
- Before connecting this appliance check that the power supply cord is not damaged.
- If the room where the hood is to be used contains a fuel burning appliance such as a central heating boiler then its flue must be of the sealed or balanced flue type. If other types of flue or appliances are fitted ensure that there is an adequate supply of air to the room.

- The air must not be discharged into a flue that is used for exhausting fumes from appliances burning gas or other fuels.
- Regulations concerning the discharge of air have to be conformed to.
- Do not flambé under the cooker hood.
- Never leave frying pans unattended during use as overheated fats and oils may catch fire.
- Do not check the status of the filters while the cooker hood is operating.
- Do not touch the light bulbs after appliance use.
- To ensure the best performance, we recommend switching on the extractor 15 minutes before cooking and leave it running 15 minutes after. This will ensure that the air in the kitchen is being circulated before cooking commences and the air is being cleaned after cooking has finished.
- The performance of your extractor will vary depending on a number of factors. These include type of extraction, room volume, length of ducting, ventilation available and the cleanliness of the filters.
- This appliance is not intended for use by persons (including children) with reduced physical, sensory or mental capabilities, or lack of experience and knowledge, unless they have been given supervision or instruction concerning use of the appliance by a person responsible for their safety.

- This appliance can be used by children aged from 8 years and above and persons with reduced physical, sensory or mental capabilities or lack of experience and knowledge if they have been given supervision or instruction concerning use of the appliance in a safe way and understand the hazards involved. Children shall not play with the appliance.
- Never let children operate the machine.
- Children should be supervised to ensure that they do not play with the appliance.
- Never immerse the appliance in water.
- This appliance is intended to be used in household and similar applications such as:
 - › Staff kitchen areas in shops, offices and other working environments.
 - › Farm Houses.
 - › By clients in hotels, motels and other residential type environments.
 - › Bed and breakfast type environments.
- To avoid all risk, if the power cable is damaged, it must only be replaced by a Caple appointed engineer.
- Appliances can be used by persons with reduced physical, sensory or mental capabilities or lack of experience and knowledge if they have been given supervision or instruction concerning use of the appliance in a safe way and understand the hazards involved.

- Children must not play with this appliance.
- When not in use and before cleaning, always isolate the appliance from the electrical supply.

CLEANING AND MAINTENANCE:

- Disconnect the hood from the main supply before carrying out any maintenance work.
- Proper maintenance of the cooker hood will ensure proper performance of the unit.
- The cooker hood and its filter should be cleaned regularly in order to keep in good working condition.
- Clean the cooker hood according to the instruction manual to reduce the risk of fire.
- Clean and/or replace aluminium grease filters and activated charcoal filters after specified period of time.
- Cleaning and user maintenance must not be made by children without supervision.
- Clean the hood using a damp cloth and a neutral liquid detergent.
- DISPOSAL: Do not dispose this product as unsorted municipal waste. Collection of such waste separately for special treatment is necessary.
- If the supply cord is damaged, it must be replaced by the manufacturer, its service agent or similarly qualified persons in order to avoid a hazard.



ENVIRONMENTAL PROTECTION

Waste electrical products should not be disposed of with household waste. Please recycle where facilities exist. Check with your Local Authority or retailer for recycling advice. This appliance is marked according to the European directive on Waste Electrical and Electronic Equipment (WEEE).

By ensuring this product is disposed of correctly, you will help prevent potential negative consequences for the environment and human health, which could otherwise be caused by inappropriate waste handling of this product. The symbol on the product indicates that this product may not be treated as household waste. Instead it shall be handed over to the applicable collection point for the recycling of electrical and electronic equipment. Disposal must be carried out in accordance with local environmental regulations for waste disposal.

For more detailed information about treatment, recovery and recycling of this product, please contact your local council, your household waste disposal service or the retailer where you purchased the product

WARRANTY

Your new appliance is covered by warranty. The warranty card is enclosed - if it is missing, you must provide the following information to your retailer in order to receive a replacement: date of purchase, model and serial number. Registration can also be completed online by visiting www.caple.co.uk.

Ensure you keep your warranty card safe, you may need to show it to Caple Service together with proof of purchase. If you fail to show your warranty card you will incur all repair charges.

Spare parts are only available from Caple Service and spare parts authorised centres.

CE DECLARATIONS OF CONFORMITY



This appliance has been manufactured to the strictest standards and complies with all applicable legislation, Low Voltage Directive (LVD) and Electromagnetic Compatibility (EMC).

UKCA DECLARATIONS OF CONFORMITY

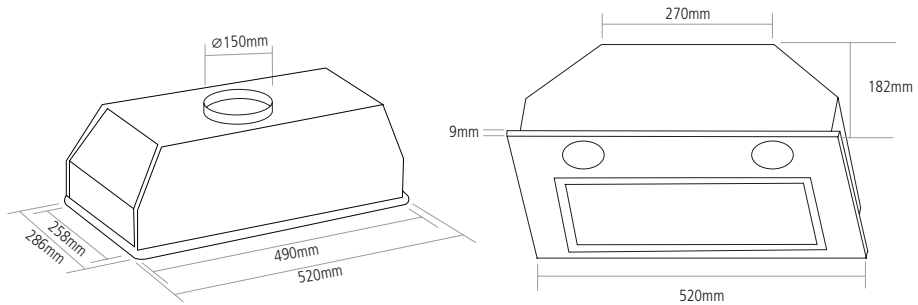


This appliance has been manufactured to the strictest standards and complies with all applicable legislation.

TECHNICAL FICHE

This appliance conforms to all current and applicable energy regulations. To view the Technical Fiche that supports the energy labelling data, please visit the product page on our website www.caple.co.uk

PRODUCT OVERVIEW



IMPORTANT:

1. Please read the entire instructions before installing the extractor.
2. Always switch power off prior to installation.
3. Stainless steel is very easily damaged during installation if scratched or knocked by tools. Protect the extractor with the cardboard box or plastic bag during installation.
4. All electric work must be done in accordance with the local and national electrical codes as applicable.
5. For safety, this product must be earthed.
6. A power outlet should be within 1500mm of the power cord exit from the extractor.
7. The power socket must be accessible and enable the end user to isolate the extractor from the power for the purpose of internal cleaning or maintenance.
8. 150mm round ducting adapters are supplied. All other ducting accessories are not supplied. All ducting must comply with local requirements and building codes.

See Ducting options next page.

CONTENTS OF PACKAGING:

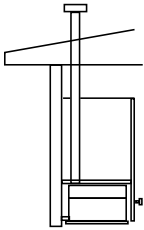
- 1 x Hood body
- 1 x face plate
- 1 x packet of fasteners and wall plugs

TYPICAL EQUIPMENT REQUIRED:

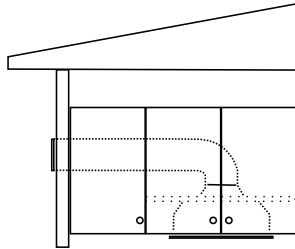
1. Electric drill
2. Screwdriver
3. Tape measure
4. Spirit level
5. Duct tape (if ducting)
6. Jig saw (if ducting)
7. Ladder (if ducting)

DUCTING OPTIONS

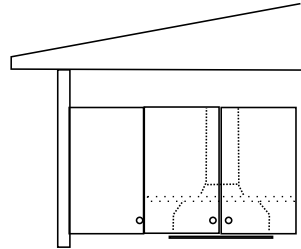
The method of ducting should be carefully considered before installing the extractor. The guide below recommends the ducting components to use for all common ducting configuration - through the top of the home (the roof and soffit) and through the external wall. Alternatively this extractor can be operated in recirculation mode.



Top Ducting Through Roof



Side Ducting



Recirculating

(Use charcoal filtered discs mounted either side into the motor)

NOTE:

This product should be installed using 150mm ducting.

Extra lengths and/or bends may be required, depending on the length required and whether there is any structural material in the run e.g. rafters.

Long duct runs, elbows, and transitions will reduce the performance of the hood. Use as few of them as possible.

Some authorities require extractors to be vented outside. Ducted models should comply with this requirement in every aspect.

RECIRCULATION INSTALLATION:

If you are unable to duct the extractor via an outlet to the outside, the exhaust pipe is only required to help remove the air from the cabinet. We recommend this is done by ducting the air out of the top of the cabinet. The charcoal filters must be installed as shown on page 14-15.

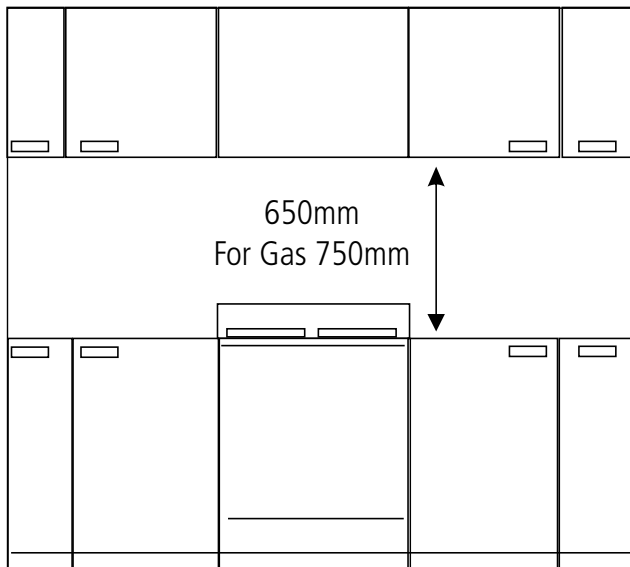
INSTALLATION

Carefully remove the plastic protective film from all exterior surfaces of the hood prior to final installation.

NOTE:

At least two people will be required to install the hood.

When installing the extractor, the lower edge of the unit must be a minimum of 650mm (750mm for gas cooker) above the hob.



NOTE:

If the instructions for the gas hob specify a greater distance, this has to be taken into account.

MOUNTING THE EXTRACTOR

Before fixing the hood to the unit, drill a hole of 165mm diameter for 150mm ducting in the wall unit.

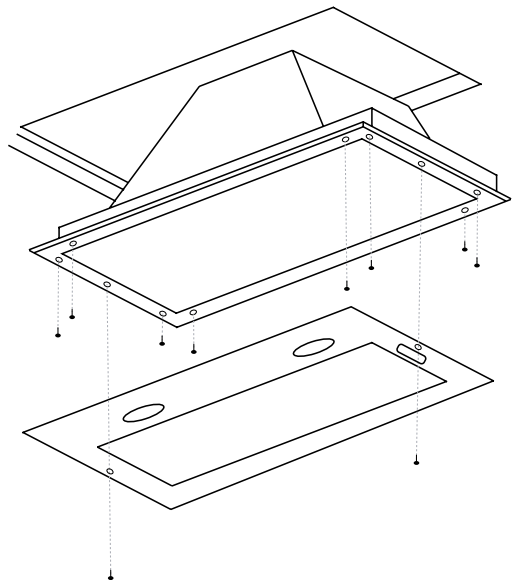
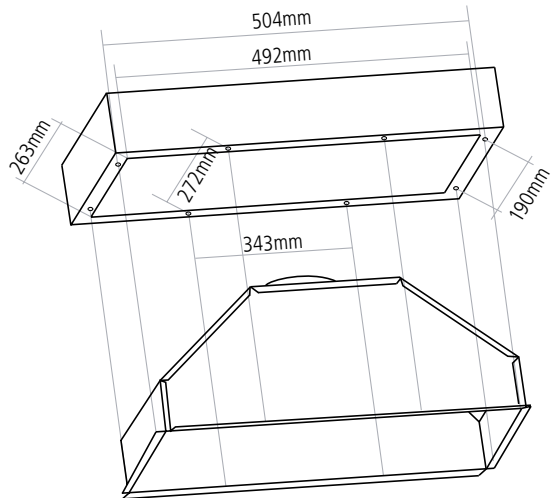
Check the position of the power outlet and consider where the power cable will run; a hole might have to be made in the wall unit to accommodate it.

Create an opening of 492mm x 263mm in the underside of the cupboard where the hood will be installed.

Unscrew the 2 visible screws located on both side-ends of the hood, 8 mounting holes around the unit are then accessible.

Lift the cooker hood and place into the cupboard opening. Secure the unit using the eight long screws supplied and then fit the face plate using the two screws located on both sides. Make sure the lights are located at the front.

Make the electrical connection.



OPERATION

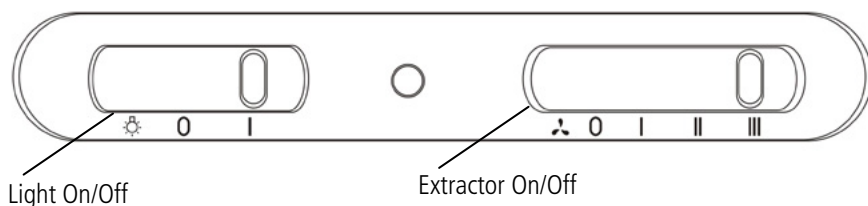
CONTROLS

LIGHT:

The light can be operated independently by sliding the light switch on/off despite the working status of the fan. Please refer to the icon switch panel.

FAN:

The fan is operated by sliding the power switch on. It can be run at three different speeds (Speed 1/Speed 2/Speed 3) depending on the cooking requirements. Please refer to the icon on the switch panel.



CLEANING AND MAINTENANCE:

Switch off the extractor before cleaning or maintenance. To prevent surface damage never use abrasive or oil based liquid cleaners. To clean the surfaces of the appliance, use mild detergent and warm water. In areas of high humidity and coastal environments cleaning should be carried out frequently.

WARNING:

A build up of oil may occur if the extractor is not cleaned regularly.

FILTER MAINTENANCE:

To maintain efficiency, the filters should be removed regularly (approximately monthly), and washed using hot soapy water or the dishwasher.

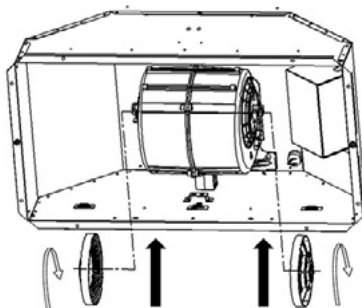
NOTE:

Some discolouration of the frame may occur if washed in the dishwasher.

CHARCOAL FILTERS:

Extractors fitted with charcoal filters are designed to remove grease and odours from cooking vapours prior to the cleansed air re-entering the kitchen (when the extractor is in recirculation mode). The charcoal filters for this appliance cannot be regenerated or washed and should be replaced every 6 months, these can be ordered from www.caple.co.uk (code CAP73CF).

To install the charcoal filter rotate it anticlockwise until the stop click is heard. To remove the charcoal filters, rotate it clockwise.

**NOTE:**

Fully saturated charcoal filters can become a barrier to air movement therefore limiting extractor performance. In the event of fire, grease laden filters could be flammable and therefore require replacement is recommended.

REPLACING THE BULB:

To replace a bulb, first disconnect the extractor from the power supply. Use a small blade screwdriver to prise off the lamp cover. Care must be taken to avoid the lamp lens falling to the hob top. The bulb is a screw fit into the lamp socket. Insert the replacement bulb into the lamp socket and replace the lamp cover.

The LED light must be replaced by an authorised engineer or similar only. For more information, please contact Caple service - 0117 938 7420 or service@caple.co.uk

PARTS AND ACCESSORIES LIST:

1. Charcoal filter (replacement code CAP73CF)
2. LED 2x2W

Replacement charcoal filters can be ordered from www.caple.co.uk, order the code CAP73CF for this extractor. You can also order by calling 0117 938 1900.



Caple Service

Fourth Way

Avonmouth

Bristol

BS11 8DW

T: 0117 938 1900

E: service@caple.co.uk

www.caple.co.uk