

Instruction manual for integrated extractor

Model: 1MINCH9 2MINCH9



Contents

Installation	2
Safety and cleaning	5
Methods of extraction	6
Operating your extractor	8
Fitting the charcoal filter and bulb replacement	9
Electrical connection	10
Troubleshooting	12
Technical data	13

Thank you for purchasing your new Caple extractor.

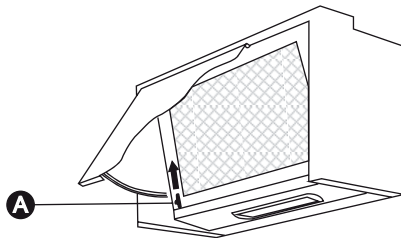
The extractor is designed to give you the option to extract to the outside (via an exterior wall) with ducting, or to re-circulate air through additional filters to minimise cooking odours.

The choice is yours to decide at installation, both options are explained in this booklet.

We recommend that you read this booklet from cover to cover before attempting to install or operate the extractor.

Installation

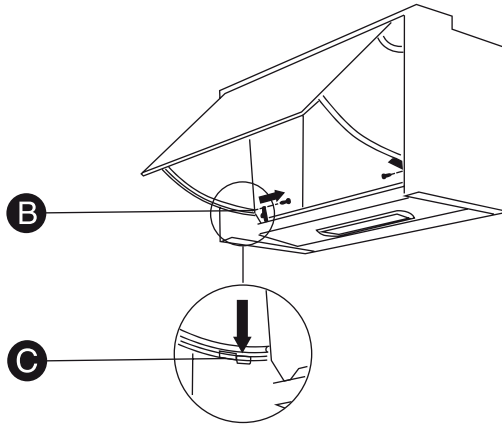
THESE INSTRUCTIONS MUST BE STRICTLY ADHERED TO, FAILURE TO COMPLY COULD RESULT IN OVERHEATING AND SERIOUS DAMAGE TO YOUR APPLIANCE



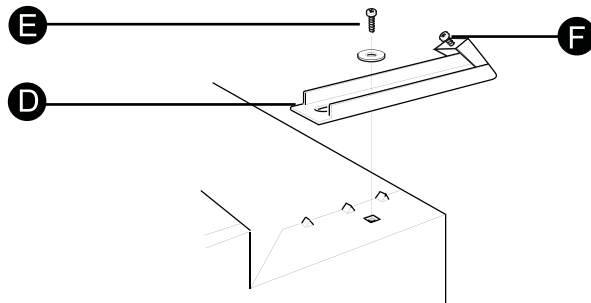
To secure the product to the wall you must initially remove the grill/grease filters. This is achieved by opening the front panel and pushing the two catches (A) upwards which will then release the grill.

Installation continued

Once the grill has been removed, The front door panel should also be removed.



Open the front panel and remove the two screws (B) as illustrated above. Press the tab (C) down and remove the front panel from its guides



Secure brackets (D) onto the top of the extractor using the fitting screws and washer (E). Check that adjustment screw (F) is fitted.

Note: Note some units may have bracket fitted.

Ensure there is a minimum distance of 700mm between the bottom of the

extractor and hob surface. Also refer to the installation guide for other hob makes as the greater distance must be followed. Then fix the two mounting brackets (G) to the rear wall.

Once the two mounting brackets are in position, hook the extractor mounting bracket (D) onto the wall mounting bracket.

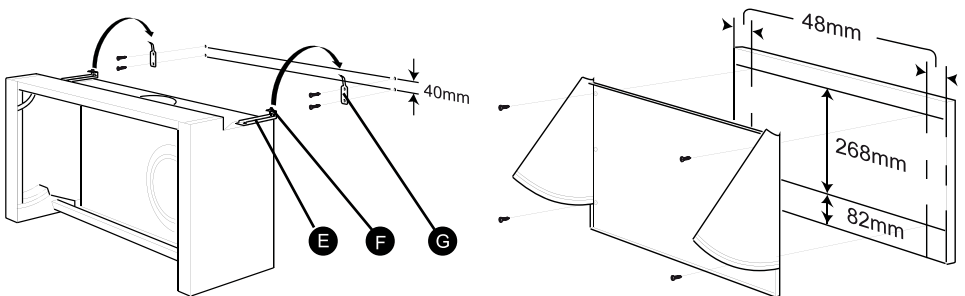
Some adjustment is provided within the brackets. For forward and backward adjustment use screw (E) and for height alignment, adjust screws (F).

Once the adjustment is complete fully tighten all screws.

If after installation there is a gap between the rear wall and the extractor a spacer is provided. This can be fixed to the rear of the extractor and cut to accommodate the gap.

IMPORTANT NOTE: After the extractor has been positioned correctly the extractor must be fixed to the adjacent cabinets through the fixing holes in the sides of the extractor.

All that remains is to fix the front wooden door panel to the extractor by using the diagram below, and then fix the front panel.



NOTE: The cooker hood should be placed at a minimum distance of 700~760mm above the hob. It is the manufacturer of the hob who determines the clearance required and the clearance quoted by the hob manufacturer must be followed. In the absence of any instructions supplied with a gas hob the minimum distance between the hob and the hood must be at least 760mm.

Electrical Safety

Before you think about fixing, give careful consideration to the power connection. It is vital that the supply cable should be well shielded from your grill, hob or oven. If it isn't, heat from any one of these sources may damage the cable insulation and give rise to a fire risk. Under no circumstances should the exposed power supply cable come within 70cm of a direct source of heat, Ideally it should be channelled into the wall, well out of harm's way.

For your safety

In order to protect your appliance and minimise the risk of fire, don't barbecue food directly under the extractor. Similarly, do not prepare flambé dishes immediately under the extractor. Your extractor is designed to draw gases up and away from your hob. This means that exposed flames may behave unpredictably in the vicinity of the appliance while it is switch on. When frying take particular care to prevent the oil from catching fire and never leave unattended.

Cleaning

IMPORTANT: Before attempting any cleaning or maintenance, ensure your extractor is disconnected from the power source.

Regular and thorough maintenance will help provide long lasting operation. Wipe the external surface of the appliance regularly using warm water and a mild detergent, never use products containing abrasive

Particular care must be paid to the grease filtering panels which must be periodically cleaned in relation to use (at least once every two months)

Methods of extraction

1. Extraction via ducting (fig.1)

The very best method of cleaning the kitchen of unwanted odours is by connecting the appliance to an exhaust duct and venting to the outside atmosphere via an exterior wall (suitable ducting kits may be purchased from Caple or the retailer where you purchased your extractor.) Ducting your extractor negates the need for charcoal filters. (Fig.1)

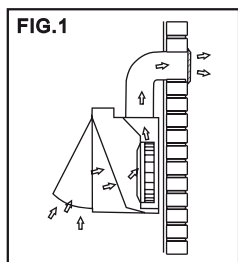


FIG.1
DUCTING MODE
(NO CHARCOAL FILTER REQUIRED)

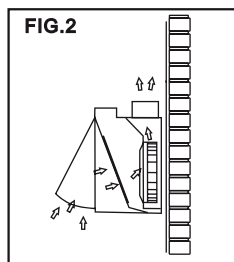


FIG.2
RECIRCULATING MODE
(CHARCOAL FILTER REQUIRED)

Remember: Before drilling or chiselling the wall, check for pipes and power cables.

1. Ensure the ducting tube is kept as short as possible and with minimum of bends to permit smooth airflow (the maximum recommended length is 3 meters).

2. Ducted air must not be discharged into a flue which is used for exhausting fumes from appliances supplied with any energy other than electricity.
3. Ensure the requirement of the local authorities are adhered to concerning the discharged of exhaust air.
4. Ensure adequate room ventilation is provided when the extractor is used in the same room as appliances supplied with energy other than electricity.
5. Never duct into a hot air flow such as a central heating duct.

We strongly advise that all exterior outlets be fitted with a non return valve with louvered slotting.

2. The Re-circulation Mode (Fig.2)

When there is no easy access to an outside wall, the extractor can easily be adapted to clean air polluted by cooking smells, by using a charcoal filter which can be purchased from directly from Caple or the retailer where you purchased your extractor. Remember re-circulation mode cannot be used without charcoal filters.

The charcoal filter (part number CAP20CF)

Filters do have a limited life. We advise you to change it when there is a noticeable drop in performance. The intervals between changing the filter will depend entirely upon the amount of cooking you do. But on average they will last about 6 months.

1MINCH9 – filter code CAP20CF

2MINCH9 – filter code CAP34CF

The grease filter

The grease filter mat on model 1MINCH9 requires replacing or cleaning every 3 months. The filter can be cleaned in a dishwasher or washed with a neutral detergent. To gain access to the grease filter mat, the charcoal filter must be removed.

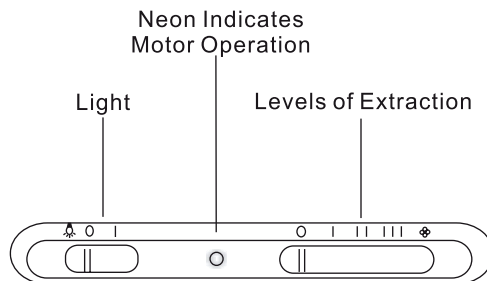
IMPORTANT: You should never attempt to use the extractor without the grease filter as grease build-up could prevent the motor working properly. Pull out the plug before changing the filters.

Operating you extractor

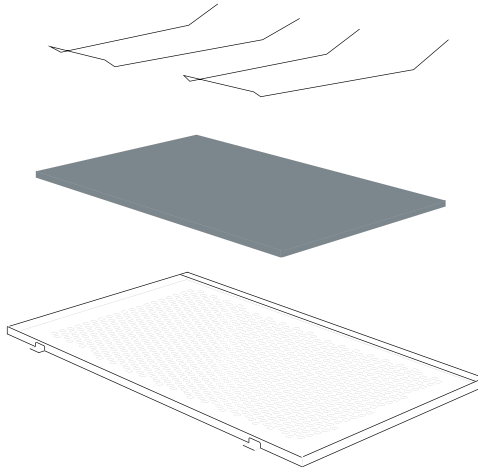
The motor will automatically operate by opening and closing the front door panel as long as the switch is set accordingly. The extractor fan has three speed settings for light, medium or heavy extraction of cooking vapours. The different levels of extraction are numbers 1, 2 and 3 and can be recognised by the changes in noise level of the extractor fan when operating.

To switch on the light simply move the switch to position 1.

NOTE: The light is not affected by opening or closing the front panel.



To change the charcoal filter remove the flexible wire frame and simply replace with a new filter as shown below.



Replacing the bulb

To replace a bulb simply remove the grill and unscrew the bulb. Replace with one of the identical type.

NOTE: The bulb is not covered by the guarantee.

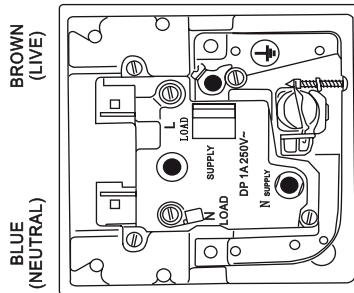
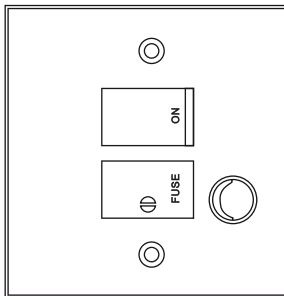
ALWAYS switch off the electricity supply prior to changing the bulb.

Electrical connection

IMPORTANT: ENSURE THAT THE ELECTRICITY SUPPLY IS SWITCHED OFF BEFORE CONNECTING.

Your appliance must be connected to fixed wiring via the use of a double pole switched fused spur outlet with at least 3 mm contact separation, and preferably with a pilot lamp. (See technical data for fuse rating). We strongly recommend the appliance is connected by a qualified electrician

NOTE: The terminology "DOUBLE POLE" means that both the live and neutral supplies are switched and disconnected at the same time.



The terminations labelled SUPPLY are for the connection for the internal house wiring and the terminations labelled LOAD are for connection for the appliances.

Important

The wires in this mains lead are coloured in accordance with the following code:

Blue	Neutral
Brown	Live

As the colours of the wires in the mains lead of this appliance may correspond with the colours markings identifying the terminals in your spur box, proceed as follow:

The wire which is coloured blue must be connected to the terminal which is marked with the letter "N" or coloured black. The wire which is coloured brown must be connected to the terminal which is marked with the Letter 'L' or coloured red.

WARNING

This appliance has such technical particulars that it belongs to **Class 2** insulation and therefore neither wire should be connected to the terminal marked with the letter E or by the earth symbol.

Troubleshooting

The bulb does not illuminate

A replacement is probably necessary, but check first that the bulb is firmly screwed in to its holder and switched on. If the filament is broken, remember that the bulbs are not covered by our guarantee. Remember to disconnect power supply before removing the bulb.

The motor is on but the fan is not as efficient as usual

Check grease filter mat. If it hasn't been cleaned recently, it might be clogged with grease. If the filter mat is relatively clean, check the charcoal filter. If this hasn't been replaced for more than six months, remove it and insert a new one.

Works normally but cooking smells linger

If you're using the unit in re-circulation mode, change the charcoal filter. It is obviously past its prime.

Controls fail to switch on the motor

Check plug, socket and fuse. If these are in order and fault persists, it could be that an accumulation of grease has impaired the efficiency of the switch mechanism. Try rapidly moving switch on and off several times in succession to clear grease deposit. If fault continues, call the service agent.

The extractor does not work at all


Check your extractor is switched on at the mains. Next, check for an unexpected power failure by switching on adjacent lights etc.

Still not working?

If, having consulted the above diagnostic chart you are still unable to remedy the situation, please call Caple Service on 0117 938 7420.

Technical Data

Mode No.:	1MINCH9	2MINCH9
Voltage	220V~240V / 50Hz	
Rotation method	Single Motor	Two Motor
Rated motor input power	120W	120W x 2
Illumination	≤28W	≤28Wx2
Rated input power	148W	296W
Suction power	183m3/h	279 m3/h
Noise	≤67dB	≤71dB
Outlet diameter	120mm	120mm

This symbol  indicates this product should not be treated as normal household waste and should be recycled. Please take it to your nearest collection facility or for further details contact your local council

CE Declarations of Conformity



This appliance has been manufactured to the strictest standards and complies with all applicable legislation, Low Voltage Directive (LVD) and Electromagnetic Compatibility Directive (EMC).