



Built-In Wine Cabinet  
Instruction Manual

---

**WC6100,  
WC6100BS,  
WC6100GM &  
WC6100SS**



Contact Caple on 0117 938 7420 for spare parts or [www.caple.co.uk](http://www.caple.co.uk)

## CONTENTS

---

Introduction	3
Warnings	3
Electrical Shock Hazard	4
Environmental Protection	7
Installation Warnings	8
Operating Your Wine Cabinet	10
Setting the Temperature	11
Shelves	12
Storage Diagram	13
Installation Instructions	14
Care and Maintenance	15
Troubleshooting	16
Error Codes	17
Temperatures	18
Caple Contact Details	20

## INTRODUCTION

---

Thank you for buying your new Caple Wine Cabinet.

To ensure that you get the best results from your new purchase, we strongly suggest that you read this instruction manual thoroughly before use. This manual contains installation advice, usage instructions and other important facts about your Caple Wine Cabinet. If treated with care your Caple Wine Cabinet will give you many years of trouble free use.

## **SAFETY WARNINGS:**

- To prevent damaging the door, make sure the door is fully open when pulling shelves out of the rail compartment.
- This appliance is not intended for use by persons (including children) with reduced physical, sensory or mental capabilities, or lack of experience and knowledge, unless they have been given supervision or instruction concerning the use of the appliance by a person responsible for their safety.
- Children should be supervised at all times to ensure they do not play with the appliance. The appliance must be positioned so that the plug is accessible. Release the electric cord and move your cabinet to its final location. Do not move your cabinet while loaded with wine as you may distort the body.
- The wine cabinet should be installed in a suitable place in order to avoid touching the compressor.
- After unpacking, make sure that the appliance is in perfect order. If you have any doubt, do not use it and contact your retailer.

- If the supply cord is damaged, it must be replaced by a Caple service agent or a similarly qualified person in order to avoid a hazard.
- Keep ventilation openings, in the appliance enclosure or built in structure, clear of obstruction.
- This appliance is intended to be used exclusively for the storage of wine. This appliance is not suitable for the storage of food.
- This appliance is intended to be used in household and similar applications such as:
  - › Staff kitchen areas in shops, offices and other working environments.
  - › Farm Houses.
  - › By clients in hotels, motels and other residential type environments.
  - › Bed and breakfast type environments.

## **IMPORTANT:**

Caple cannot be held liable for any non compliance with these instructions.

## **ELECTRICAL SHOCK HAZARD**

To reduce the risk of fire, electrical shock, or injury when using your appliance, follow these basic precautions:

- Read all instructions before using the wine cabinet.

- DANGER or WARNING: Risk of child entrapment.
- Before you throw away your old wine cabinet: Take off the door, leaving the shelves in place so that children cannot easily climb inside.
- Never allow children to operate, play with, or crawl inside the appliance.
- Do not use electrical appliances inside the storage compartment of the appliance, unless they are the type recommended by the manufacturer.
- Never clean appliance parts with flammable fluids. The fumes can create a fire hazard or explosion.
- Do not store or use gasoline or any other flammable vapours and liquids in the vicinity of this or any other appliance. The fumes can create a fire hazard or explosion.
- The refrigerant of this appliance is R600a, flammable and explosive articles should not be put in or near the cabinet, to avoid the risk of fire or explosion.
- This appliance can be used by children aged from 8 years and above and persons with reduced physical, sensory or mental capabilities or lack of experience and knowledge if they have been given supervision or instruction concerning use of the appliance in a safe way and understand the hazards involved. Children shall not play with the appliance. Do not allow children to hang, pull or sit on the door to avoid injuries and damage to the appliance.

- Cleaning and user maintenance shall not be made by children without supervision.  
When positioning the appliance, ensure the supply cord is not trapped or damaged.
- To avoid a hazard due to instability of the appliance, it must be fixed into position in accordance with the installation instructions. Do not locate multiple portable socket-outlets or portable power supplies at the rear of the appliance.
- Do not use plug adapter.
- Do not place wine bottles or other loads onto the door when the door is open, to avoid any accidents or damage to the appliance.



Symbol ISO 7010 W021

Warning; Risk of fire / flammable materials



## ENVIRONMENTAL PROTECTION

Waste electrical products should not be disposed of with household waste. Please recycle where facilities exist. Check with your Local Authority or retailer for recycling advice. This appliance is marked according to the European Directive on Waste Electrical and Electronic Equipment (WEEE).

By ensuring this product is disposed of correctly, you will help prevent potential negative consequences for the environment and human health, which could otherwise be caused by inappropriate waste handling of this product. The symbol on the product indicates that this product may not be treated as household waste. Instead it shall be handed over to the applicable collection point for the recycling of electrical and electronic equipment. Disposal must be carried out in accordance with local environmental regulations for waste disposal.

For more detailed information about treatment, recovery and recycling of this product, please contact your local council, your household waste disposal service or the retailer where you purchased the product.

## CE DECLARATIONS OF CONFORMITY **CE**

This appliance has been manufactured to the strictest standards and complies with all applicable legislation, Low Voltage Directive (LVD) and Electromagnetic Compatibility (EMC).

## UKCA DECLARATIONS OF CONFORMITY **UK CA**

This appliance has been manufactured to the strictest standards and complies with all applicable legislation.

## TECHNICAL FICHE

This appliance conforms to all current and applicable energy regulations. To view the Technical Fiche that supports the energy labelling data, please visit the product page on our website [www.caple.co.uk](http://www.caple.co.uk)

## WARRANTY

Your new appliance is covered by warranty. The warranty card is enclosed - if it is missing, you must provide the following information to your retailer in order to receive a replacement: date of purchase, model and serial number (placed on the inside of the appliance storage drawer). Registration can also be completed online by visiting [www.caple.co.uk](http://www.caple.co.uk).

Ensure you keep your warranty card safe, you may need to show it to Caple Service together with proof of purchase.

If you fail to show your warranty card you will incur all repair charges.

Spare parts are only available from Caple Service and spare parts authorised centres.

## INSTALLATION WARNINGS

---

### **BEFORE USING YOUR WINE CABINET**

- › Remove the exterior and interior packing.
- › **IMPORTANT:** Before connecting the wine cabinet to the power source, let it stand upright for at least 12 hours. This will reduce the possibility of a malfunction in the cooling system from handling during transportation.
- › Clean the interior surface with lukewarm water using a soft cloth.
- › Before installation, turn the unit off and unplug it from the outlet.
- › This appliance uses flammable refrigerant. Never damage the cooling pipework during transportation.
- › Locate the wine cooler away from direct sunlight and sources of heat (ovens, hobs, heaters, radiators, etc.) and do not install in the same furniture housing as an oven or other heating appliance. Never clean appliance parts with flammable fluids. The fumes can create a fire hazard or explosion. When disposing your appliance, please choose an authorized disposal site.
- › Avoid locating the unit in moist areas.
- › It is fitted with a power cord having an earth wire terminating in a 13amp plug.
- › Ensure the product is correctly ventilated. See 'Installation instructions' on page 14.
- › Consult a qualified electrician or service engineer if the earthing instructions are not completely understood.
- › Plug the wine cabinet into an exclusive, properly installed-grounded wall outlet. Do not under any circumstances cut or remove the third (ground) pin from the plug. Any questions concerning power and/or grounding should be directed toward a certified electrician or Caple service.

### **WARNING**

Incorrect earthing can result in the risk of electric shock.

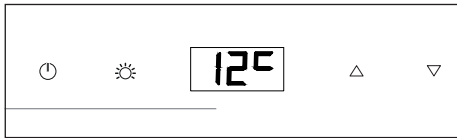
## **ATTENTION**

- › Store wine in sealed bottles.
- › Do not overload the cabinet.
- › Do not open the door unless necessary.
- › Do not cover shelves with aluminium foil or any other shelf material which may prevent air circulation.
- › Should the wine cabinet be stored without use for long periods it is suggested, after careful cleaning, to leave the door ajar to allow air to circulate inside the cabinet in order to avoid possible formations of condensation, mould or odours.
- › Keep ventilation openings, in the appliance enclosure or in the built-in structure, clear of obstruction.
- › Do not damage the refrigerant circuit.
- › Do not use electrical appliances inside the storage compartments of the appliance, unless they are the type recommended by the manufacturer.

## OPERATING YOUR WINE CABINET

Please use the cabinet within a ambient temperature of 10-32°C. If the ambient temperature is higher or lower than this, it will cause a temperature fluctuation in the cabinet, impairing its performance.

### CONTROL PANEL



### TOUCH CONTROL KEYS



Used to switch the internal light on/off



To switch the appliance on/off  
(press and hold this button for approximately 5 seconds)




Used to raise the temperature in 1°C increments



Used to lower the temperature in 1°C increments

### INTERNAL LIGHT

Press the light button  when the door is shut to turn the internal light on and off. The internal light will automatically turn on every time the door is opened, and will turn off when the door is shut.



### NOTE:

The light must be replaced by qualified personnel. For instructions on how to replace the light, please contact Caple Service or visit our website.

## SETTING THE TEMPERATURE

---

Set the desired cooling temperature by pressing the  $\nabla/\Delta$  keys. Each press of the key will scroll through the available temperature settings in increments of 1°C.

The temperature setting can be adjusted from 5°C to 18°C. Once the desired temperature is selected, the display will continue to flash for 5 seconds. Once it has stopped flashing, this confirms the new temperature has been set, and the screen will now display the new set temperature.

### **NOTE:**

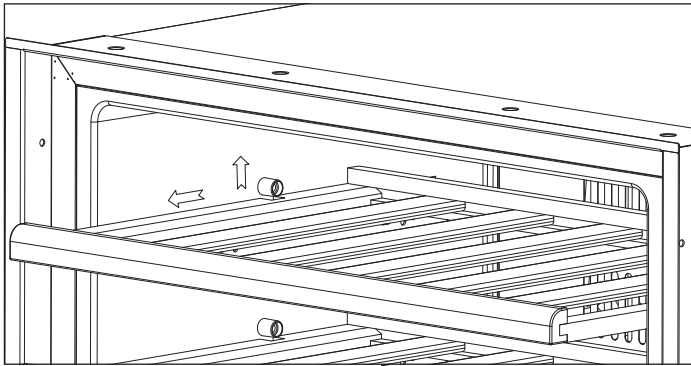
It is possible to change the display from Celsius to Fahrenheit. Press and hold  $\nabla/\Delta$  at the same time to switch to Fahrenheit. Repeat the process to return to Celsius.

### **DEFROSTING/ CONDENSATION**

Your wine cabinet is designed with an "Auto-cycle" defrost system. When the cooling cycle is OFF, the refrigerated surface of the wine cabinet (interior rear wall) defrosts automatically. The defrosted water is channelled into a drain pan which is located at the back of the cabinet next to the compressor from where it evaporates.

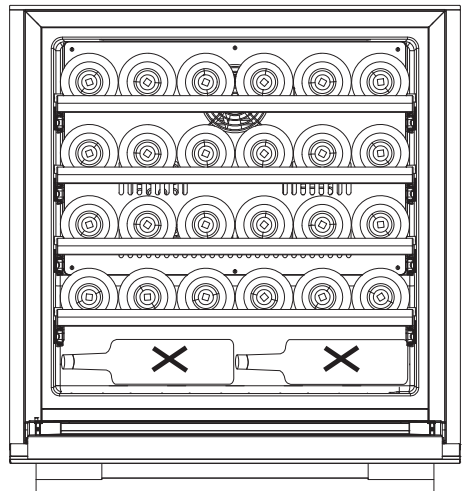
## SHELVES

- › For easy access to your wine, you must pull the shelves approximately 1/3 out of the cabinet before inserting or removing bottles. The telescopic rail system is designed to only allow the shelves to pull out a certain distance, to avoid the possibility of bottles falling.
- › To remove the shelves from the telescopic rails, you must pull the shelf out until the holes either side of the shelf line up with the lugs inside the wine cabinet. Once these are lined up, you can lift the shelf off the rails, and pull out from the wine cabinet. To reinstall the shelves, you can reverse this process, but also line up the telescopic rail supports with the holes on the bottom of the shelf.



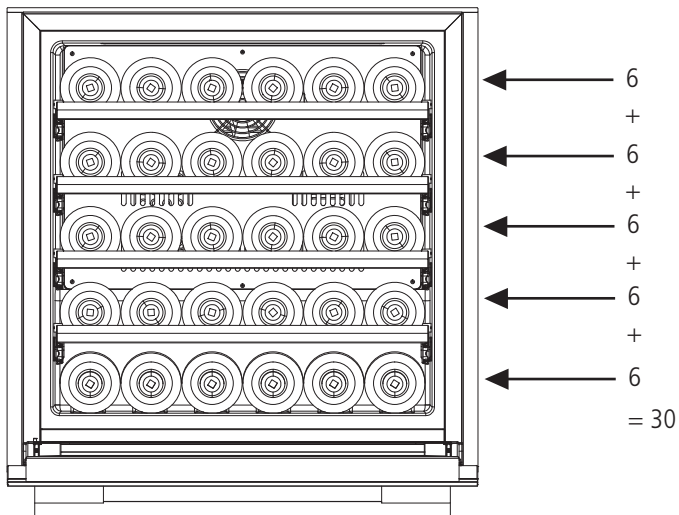
### CAUTION

Do not store bottles crossways on the interior floor. Otherwise, bottles may fall out when the appliance door is opened and this may cause injury or material damage.



## STORAGE DIAGRAM

---



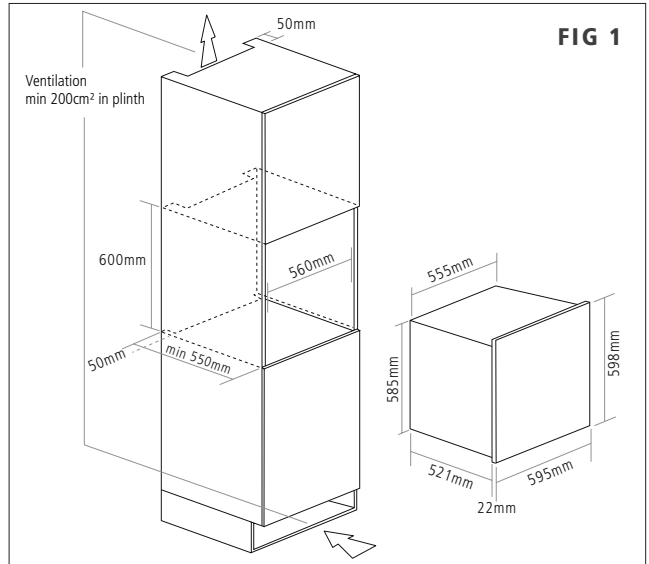
Stores max. 30 Bordeaux style bottles 750ml.

**PLEASE NOTE:**

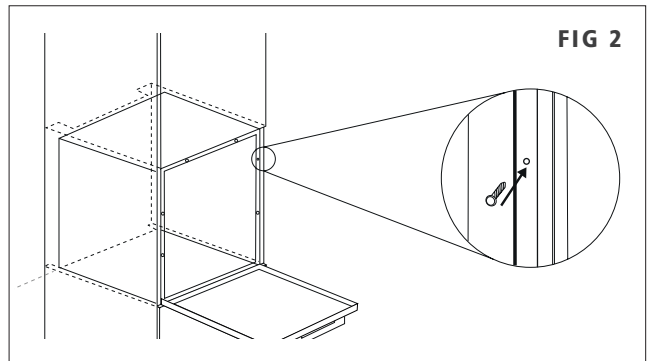
If you wish to store other style bottles i.e champagne, the maximum storage capacity will be less than as shown above. Shelves may also need to be removed to allow more bottles to be stored.

## INSTALLATION INSTRUCTIONS

To install the wine cabinet, place the wine cabinet in an opening with dimensions as shown in Fig.1. The wine cabinet must be placed on a flat stable surface.



Once the wine cabinet is in place, it can then be fixed into position. Using the 6 fixing screws, locate these into the 6 fixing holes on either side of the wine cabinet and along the top rail, and screw into the carcass (see Fig.2).



### VENTILATION

- › The ventilated cross section must be at least 200cm<sup>2</sup> and the wine cabinet shall be ventilated from the kitchen plinth.
- › The back panel of the carcass the appliance is installed into shall be removed.
- › Where the decorative grill is used it must be noted that the total area of the grill opening corresponding to the ventilation cross section shall not be less than 200cm<sup>2</sup>.

## CARE AND MAINTENANCE

---

### CLEANING YOUR WINE CABINET

- › Turn off the power, unplug the appliance, and remove all items including shelves and rack.
- › Wash the inside surfaces with a warm water and baking soda solution. The solution should be about 2 tablespoons of baking soda to a quart of water.
- › Wash the shelves with a mild detergent solution.
- › Wring excess water out of the sponge or cloth when cleaning area of the controls, or any electrical parts.
- › Wash the outside cabinet with warm water and mild liquid detergent. Rinse well and wipe dry with a clean soft cloth.

### POWER FAILURE

- › Most power failures are corrected within a few hours and should not affect the temperature of your appliance if you minimise the number of times the door is opened. If the power is going to be off for a longer period of time, you need to take the proper steps to protect your contents.

### HOLIDAY TIME

**Short Vacations:** Leave the Wine cabinet operating during vacations of less than three weeks.

**Long Vacations:** If the appliance will not be used for several months, remove all items and turn off the appliance. Clean and dry the interior thoroughly. To prevent odour and mould growth, leave the door open slightly: blocking it open if necessary.

### MOVING YOUR WINE CABINET

- › Remove all items.
- › Securely tape down all loose items (shelves) inside your appliance.
- › Tape the door shut.
- › Be sure the appliance stays secure in the up right position during transportation. Also protect outside of appliance with a blanket, or similar item.

### CLOSING THE DOOR

Close the door with care as slamming the door puts excess stress on the appliance and can cause the door to bounce open slightly. If this is not noticed, it can cause excess moisture to build up in the cabinet which in extreme cases can lead to the evaporation tray overflowing.

## TROUBLESHOOTING GUIDE

You can solve many common wine cabinet problems easily, saving you the cost of a possible service call. Try the suggestions below to see if you can solve the problem before calling Caple Service.

PROBLEM	POSSIBLE CAUSE
The wine cabinet does not operate	Not plugged in. The appliance is turned off. The circuit breaker tripped or a blown fuse.
The wine cabinet is not cold enough	Check the temperature control setting. External environment may require a higher setting. The door is opened too often. The door is not closed completely. The door gasket does not seal properly.
The compressor turns on and off frequently	The room temperature is hotter than normal. A large amount of contents has been added to the wine cabinet. The door is opened too often. The door is not closed completely. The temperature control is not set correctly. The door gasket does not seal properly.
The light does not work	The circuit breaker tripped or a blown fuse. The bulb has burned out. The light button is "OFF".
Vibrations	Check that the appliance is even
The Wine cabinet seems to make too much noise.	The rattling noise may come from the flow of the refrigerant, which is normal. As each cycle ends, you may hear gurgling sounds caused by the flow of refrigerant in your wine cabinet. Contraction and expansion of the inside walls may cause popping and crackling noises. The wine cabinet is not level.
The door will not close properly	The wine cabinet is not level. The gasket is dirty. The shelves are out of position.

If the above table has not solved the problem please contact Caple Service by phone on **0117 938 7420** or by email **service@caple.co.uk**.

### SPARE PARTS AVAILABILITY

The original spare parts for some specific components are available for a minimum of 7 or 10 years, based on the type of component, from the placing on the market of the last unit of the model.

For more info and to order spares, please contact Caple service or visit our website [www.caple.co.uk](http://www.caple.co.uk)

## ERROR CODES

---

ERROR CODE	FAULTS & CAUSES	REMEDIES
E5	The cavity temperature is higher than 25°C for 3 hours	Check whether the door is closed properly. Contact Caple service.
E6	The cavity temperature is lower than 2°C for 3 hours	Contact Caple service
E7	1. Door open for more than 5 minutes 2. Magnetic door switch making poor contact 3. Door magnet is faulty	1. Close the door 2. Check door magnet 3. Replace the door magnet
E8	Communication failure between the Display and Main PCB	Contact Caple service

## TEMPERATURES

---

### RECOMMENDED STORAGE TEMPERATURES

For storing ALL TYPES OF WINES 12°C to 14°C

### RECOMMENDED DRINKING TEMPERATURES

Champagne NV, Sparkling	6°C
Champagne Vintage	10°C
Dry White Semillon, Sauvignon Blanc	8°C
Dry White Gewürztraminer, Riesling	10°C
Dry White Chardonnay	10°C
Vintage Chardonnay	14°C
Sweet White Sauternes Monbazillac, Late Harvest ice wine	10°C
Sweet whites vintage Sauternes	14°C
Beaujolais	13°C
Red Pinot Noir	16°C
Vintage Pinot Noir red	18°C
Red Cabernet, Merlot, French, Australian, New Zealand, Chilean, Argentinean, Italian, Spanish, Californian	18°C
Red Grenache, Syrah	16°C

### TEMPERATURE MEMORY FUNCTION

In the event of a power interruption, the wine cabinet can remember the previous temperature setting, and when the power is recovered, the cabinet temperature will go back to the same setting as when the power went off.

## NOTES:



Caple Service  
Fourth Way  
Avonmouth  
Bristol  
BS11 8DW

T: 0117 938 1900  
E: [service@caple.co.uk](mailto:service@caple.co.uk)  
[www.caple.co.uk](http://www.caple.co.uk)