



Sense Single Pyrolytic Oven Instruction Manual

C2402 C2403GM C2402SS



Contact Caple on 0117 938 7420 for spare parts or www.caple.co.uk

CONTENTS

Safety Instructions	3
Installation Warnings	7
Environmental Protection	10
Installation	11
Oven Dimensions	12
Electrical Connection	13
Control Panel and Display	14
Operation	15
Oven Functions	17
Pyrolytic Cleaning	18
Demo Mode	20
Replacing the Oven Lamps	21
Telescopic Runners	22
Troubleshooting	23
Removing and Reassembling the Oven Doors	24
Removing the Glass Panels	25
Caple Contact Details	27

SAFETY INSTRUCTIONS

Read these instructions carefully and completely before using your appliance, keep it in a convenient place for reference when necessary.

- This appliance can be used by children aged from 8 years and above.
- Persons with reduced physical, sensory or mental capabilities or lack of experience and knowledge must be supervised and given appropriate instruction concerning the use of the appliance in a safe way and understand the hazards involved.
- Children shall not play with the appliance.
- Cleaning and user maintenance should not be carried out by children without supervision.
- The appliance is not intended to be operated by means of an external timer or separate remote control system.

WARNING:

- The appliance and its accessible parts become hot during use. Care should be taken to avoid touching heating elements.
- Children less than 8 years of age should be kept away unless continuously supervised.
- To prevent fire hazards do not store items on the cooking surfaces.
- During use, handles can get hot.
- Do not use harsh abrasive cleaners or sharp metal scrapers to clean the oven door glass or any other surface of the appliance as it can scratch the surface which may result in the glass shattering or permanent damage to the surface.
- Do not use steam cleaners for cleaning the appliance.
- Ensure the appliance is switched off before replacing the lamp to avoid the possibility of electric shock.

CAUTION:

- Accessible parts may be hot when the cooking or grilling is in use. Young children should be kept away.
- Your appliance is produced in accordance with all applicable local and international standards and regulations.
- Maintenance and repair work must be made only by authorised Caple service technicians. Installation and repair work that is carried out by unauthorised technicians may endanger you.
- It is dangerous to alter or modify the specifications of the appliance in any way.
- Prior to installation, ensure that the local distribution conditions (electricity voltage and frequency) and the requirements of the appliance are compatible. The requirements for this appliance are stated on the rating label.
- This appliance is designed only for cooking food and is intended for indoor use.

- This appliance is intended to be used in household and similar applications such as:
 - › Staff kitchen areas in shops, offices and other working environments.
 - › Farm Houses.
 - › By clients in hotels, motels and other residential type environments.
 - › Bed and breakfast type environments.
- Do not try to lift or move the appliance by pulling the door handle.
- All possible security measures have been taken to ensure your safety. Since the glass may break, you should be careful while cleaning to avoid scratching.
- Avoid hitting or knocking on the glass with accessories.
- Ensure that the supply cord is not wedged during the installation. If the supply cord is damaged, it must be replaced by a Caple service technician or similarly qualified persons in order to prevent a hazard.
- While the oven door is open, do not let children climb on the door or sit on it.

INSTALLATION WARNINGS

- Do not operate the appliance before it is fully installed.
- The appliance must be installed by an authorised technician.
- Caple is not responsible for any damage that may be caused by defective placement and installation by unauthorised persons.
- When unpacking the appliance, make sure that it is not damaged during transportation. In the case of any defect; do not use the appliance and contact your retailer or Caple Service immediately.
- Materials used for packaging (nylon, staplers, styrofoam etc) may cause harmful effects to children they should be disposed of immediately.
- Protect your appliance against atmospheric effects. Do not expose it to effects such as sun, rain, snow etc.
- The surrounding materials of the appliance (i.e. kitchen cabinet or furniture) must be able to withstand a minimum temperature of 120°C.

DURING USAGE

- Before using the oven for the first time, heat the empty oven at max. temperature for 1 hour – removing any unpleasant smells and smoke caused by working residues and thermal insulation. Make sure you do this in a well ventilated area.
- During usage, the outer and inner surfaces of the oven get hot. While opening the oven door, step back to avoid the hot steam coming out of the oven as there may be a risk of burns.
- Do not put flammable or combustible materials in or near the appliance when it is operating.
- Always use oven gloves to remove and replace food in the oven.
- Pay close attention to the oven while cooking with solid or liquid oils as they could potentially catch fire when oven is hot.
- Never pour water on flames that are caused by oil. Cover the saucepan or frying pan with its lid in order to choke the flame and turn the oven off.
- If you know you will not be using the appliance for a while switch it off from the main supply and unplug it.
- The oven shelves and trays incline when pulled out. Be careful not to let hot liquid spill over.
- When the door of the oven is open, do not leave anything on it. It may unbalance your appliance or damage the door.

- Do not put anything heavy, flammable or ignitable (nylon, plastic bag, paper or cloth etc) into the oven. This includes cookware with plastic accessories (e.g. handles). Do not hang towels, dishcloths or clothes from the appliance or its handles.
- Do not use the oven for storage purposes.
- Do not touch the appliance with wet hands.
- Do not obstruct the ventilation openings.
- Do not allow supply cords from other small appliances to come into contact with the oven.
- Before operating the Pyrolytic function, ensure all internal shelves, trays and side racks are removed.
- Before use, remove all plastic films protecting some parts of the appliance (fascia - panel, parts in stainless steel, etc)
- Do not use the appliance to heat a room.
- When the appliance is not in use, we recommend you turn it off, and isolate it from the electrical supply.

DURING CLEANING AND MAINTENANCE

- Always switch off the appliance from the mains isolating the electrical supply before any cleaning or maintenance.
- To maintain the efficiency and safety of your appliance, we recommend you always use original spare parts and to call only our authorised Caple Service agents in case of need.



ENVIRONMENTAL PROTECTION

Waste electrical products should not be disposed of with household waste. Please recycle where facilities exist. Check with your Local Authority or retailer for recycling advice. This appliance is marked according to the European directive on Waste Electrical and Electronic Equipment (WEEE).

By ensuring this product is disposed of correctly, you will help prevent potential negative consequences for the environment and human health, which could otherwise be caused by inappropriate waste handling of this product. The symbol on the product indicates that this product may not be treated as household waste. Instead it shall be handed over to the applicable collection point for the recycling of electrical and electronic equipment. Disposal must be carried out in accordance with local environmental regulations for waste disposal.

For more detailed information about treatment, recovery and recycling of this product, please contact your local council, your household waste disposal service or the retailer where you purchased the product.

WARRANTY

Your new appliance is covered by warranty. The warranty card is enclosed - if it is missing, you must provide the following information to your retailer in order to receive a replacement: date of purchase, model and serial number. Registration can also be completed online by visiting www.caple.co.uk.

Ensure you keep your warranty card safe, you may need to show it to Caple Service together with proof of purchase. If you fail to show your warranty card you will incur all repair charges.

Spare parts are only available from Caple Service and spare parts authorised centres.

CE DECLARATIONS OF CONFORMITY



This appliance has been manufactured to the strictest standards and complies with all applicable legislation, Low Voltage Directive (LVD) and Electromagnetic Compatibility (EMC).

UKCA DECLARATIONS OF CONFORMITY



This appliance has been manufactured to the strictest standards and complies with all applicable legislation.

TECHNICAL FICHE

This appliance conforms to all current and applicable energy regulations. To view the Technical Fiche that supports the energy labelling data, please visit the product page on our website www.caple.co.uk.

INSTALLATION

IMPORTANT:

ISOLATE YOUR OVEN FROM THE ELECTRICAL SUPPLY BEFORE PERFORMING INSTALLATION OR MAINTENANCE.

Installation should be carried out according to the instructions by a professionally qualified person only.

The manufacturer declines all responsibility for any damage to persons, animals or materials due to incorrect installation.

FITTING THE APPLIANCE:

Fit the appliance into its surround (beneath a worktop or above another appliance in a tall housing) by inserting screws and plastic covers into the 2 holes (A - fig.3) that can be seen in the frame of the oven when the door is open.

For the most efficient air circulation, the oven should be fitted according to the dimensions shown in fig. 1 & 2.

The rear panel of the cabinet must be removed so that air can circulate freely. The panel to which the oven is fitted should have a gap of at least 50mm at the rear for ventilation (fig.4 & fig.5).

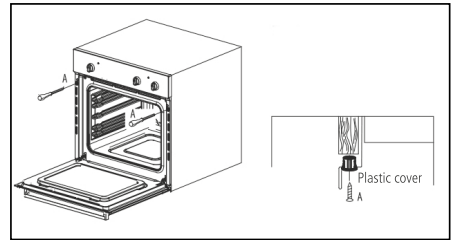


Fig3

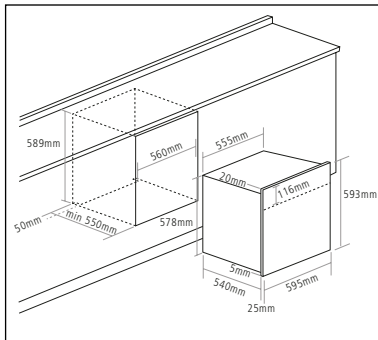


Fig1

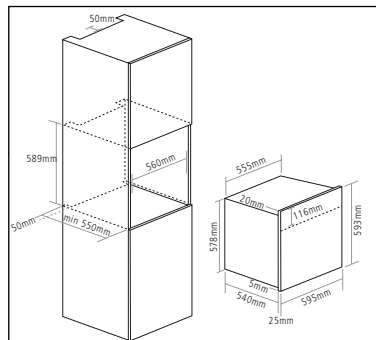
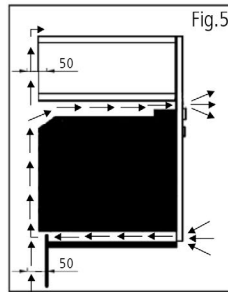
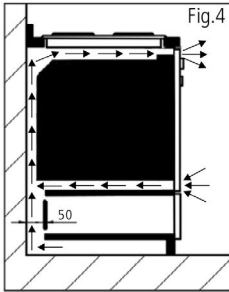


Fig2



See below for full dimensional drawings of your oven to help with installation.

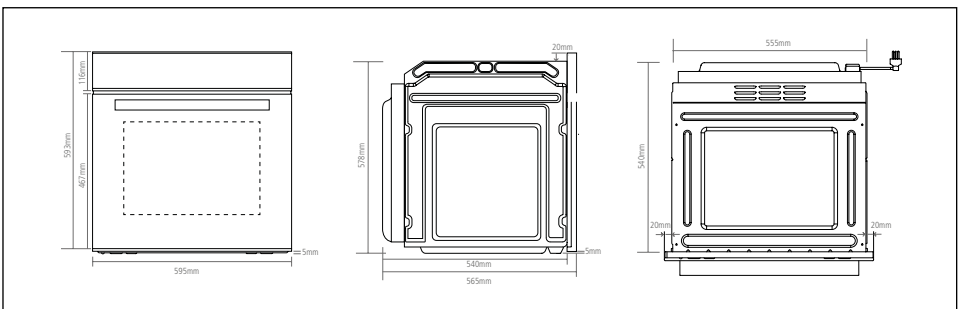
For a built-in oven to work well the cabinet must be of the right type.

The panels of the adjoining furniture should be heat resistant. Particularly when the adjoining furniture is made of veneered wood, the adhesives should be able to withstand a temperature of 120°C. Plastic materials or adhesive which cannot withstand this temperature may become deformed or unstuck.

To comply with safety regulations, once the appliance has been fitted it should not be possible to make contact with the electrical parts.

All parts which offer protection should be fixed in such a way that they cannot be removed without the use of a tool.

OVEN DIMENSIONS



ELECTRICAL CONNECTION

WARNING: THIS APPLIANCE MUST BE EARTHED

Check that the power rating of the mains supply is suitable for the maximum power of the appliance as indicated on the rating label.

The fuse rating for this appliance is 16amp.

The appliance is supplied with a mains lead it should be "Hard wired" as follows:

- › The "yellow/green" earth wire, which must be connected to a terminal, and has to be about 10mm longer than the other wire.
- › The neutral wire has to be connected to the terminal marked with a letter N.
- › The Live wire should only be connected to the terminal marked L.

Mains connection can also be made by fitting a double pole switch with a minimum gap between the contacts of 3mm, proportionate to the load and complying with the regulations in force.

The yellow/green earth wire should not be controlled by the switch.

When a double pole switch is used for mains supply connection it should be easily accessed, once the appliance is in position.

IMPORTANT:

The mains supply cable should be positioned so that it is never subjected to temperatures which are more than 50°C above ambient temperature.

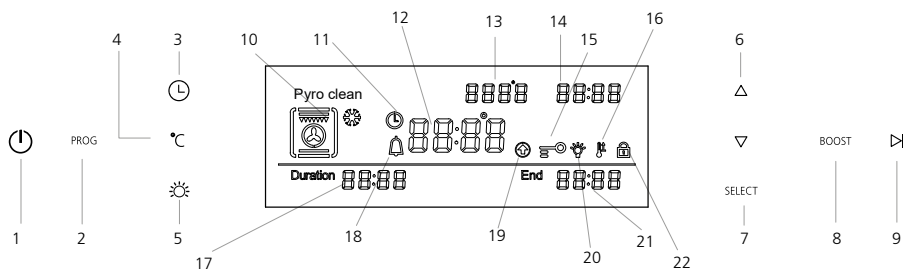
The electrical safety of the appliance can only be guaranteed when it has been correctly connected to a properly earthed mains electrical supply, as laid down in the current regulations for electrical safety.

The manufacturer cannot be held responsible for any damage to persons or objects due to lack of an earth connection.

The ovens are designed to operate with a mono-phase alternating current of 220-240V, 50Hz.

Before the installation of the appliance, check the specifications on the rating label.

CONTROL PANEL AND DISPLAY



BUTTON DESCRIPTION:

1. Power
2. Programme
3. Timer
4. Temperature
5. Light
6. Up / Down (+/-)
7. Select
8. Boost

DISPLAY DESCRIPTION:

9. Start / Pause
10. Function / programme
11. Timer
12. Actual Temperature/Time
13. Set Temperature
14. Current Time
15. Safety Lock
16. Boost
17. Cooking Duration Time
18. Alarm
19. Heating Indicator
20. Light
21. Cooking End Time
22. Pyro Lock

ACCESSORIES

1. 2 x Chrome oven shelves
2. 1 x Grill pan with rack and handle
3. 2 x Telescopic runners (x2 pairs)

To purchase additional or replacement accessories, please visit www.caple.co.uk

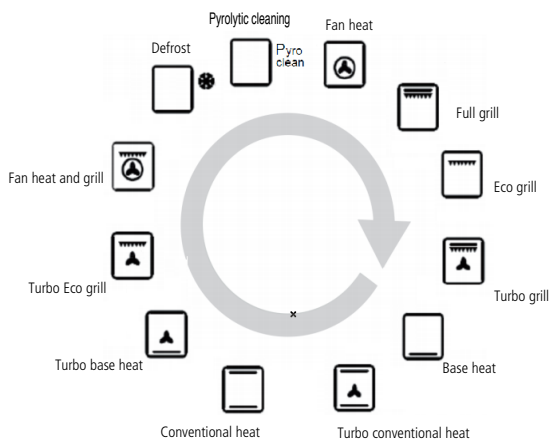
OPERATION

POWER BUTTON:


To turn on/off the display panel. When turned on, the time of day will be shown.

PROGRAMME BUTTON

Press to shift between functions. When you shift to a new function, the current function will stop and the cooking time must be reset. The Function list is as per the below order:



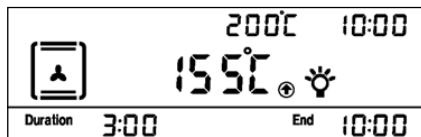
START/PAUSE BUTTON:

Once the required function has been selected, press  to start. Once cooking has started the display will show the current oven temperature. For example;




When the oven is paused, the display will show the current time. For example;



TIMER BUTTON: **SETTING THE TIME:**

Press for 3sec to set current time. Adjust time by pressing Δ / ∇ and press **SELECT** to confirm setting.

SETTING TIMER:

Press  to bring up **DURATION**. The display will flash "0:00". Adjust time by pressing Δ / ∇ and then press **SELECT** to set the duration. Once the time is up, an alarm will sound and the oven will switch off. Press any button to cancel the alarm. If you wish to cancel the alarm before it sounds, set time back to "0:00" to cancel.

AUTOMATIC COOKING:

Once the **DURATION** time has been set, press the  until the **END** time starts to flash. Adjust the end time by pressing Δ / ∇ and press **SELECT** to confirm. Oven start time = End time – Duration time.

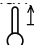
SAFETY LOCK: 

Press **SELECT** for 5 seconds to enter or cancel the safety lock function. When locked, this will disable the control panel until it has been unlocked.

TEMPERATURE SETTING:

Once the function is selected, press $^{\circ}\text{C}$ to set the temperature. Adjust temperature by pressing Δ / ∇ and press **SELECT** to confirm. Press the \blacktriangleright button to then start cooking.

BOOST FUNCTION: 


If temperature is set to more than 100°C, you can press this key to heat up oven faster. Once activated the display will show: 

The Boost function will stop when the oven gets to the required temperature.





NOTE:

Only available on certain functions.

LIGHT FUNCTION: 













Press the  button to turn the internal oven light on/off. The light will automatically turn off if no operation in 3 minutes.

SETTING THE ALARM/MINUTE MINDER:

By pressing the  button twice, this takes you to the minute minder function and the  will appear. Press the  /  button to select the time and press **SELECT** to confirm. Once the time runs out an alarm will sound, press any button to turn the alarm off. The oven will continue to run.

OVEN FUNCTIONS

Press the programme button continuously to scroll through the below functions.

	FAN HEAT	Both the fan and circular heating element operate together for the most even air distribution. This is the ideal cooking method for several types of food (meat & fish, pastries etc).
	FULL GRILL	Both the top heating element and grill element operate together to grill larger quantities of food. The door must always be closed for this function.
	ECO GRILL	This function uses just the grill element, and is primarily used for grilling small quantities of food. This function should be used with a closed door.
	TURBO GRILL	The heat which is produced by the top element and grill is circulated by the fan for faster and more even cooking.
	BASE HEAT	This function uses the bottom heating element only to cook the underside of the food. It is ideal for slow cooking, i.e. casseroles.
	TURBO CONVENTIONAL HEAT	This function uses both top and bottom heating elements simultaneously. The heat produced by these is then circulated around the oven by the fan to help distribute the heat more evenly.
	CONVENTIONAL HEAT	This function uses top and bottom heating elements simultaneously. The static cooking function ensures even cooking of the lower and upper food. This is ideal for making pastries, cakes, baked pasta, lasagne and pizza. It is best to cook on only one shelf at a time in this function.
	TURBO BASE HEAT	Both the fan and the lower heating element operate together. The air which is heated by the lower heating element is circulated by the fan helping to distribute the heat between 50 and 200°C. This function can be used for sterilising glass jars.
	TURBO ECO GRILL	Using just the grill element, the heated air is then circulated around the oven by the fan for faster and more even cooking.
	FAN HEAT & GRILL	This function uses standard fan heat for cooking with the grill to brown the tops of foods.
	DEFROST	The air at ambient temperature is distributed inside the oven for defrosting food quicker.
	LIGHTS	Press the light button on the control panel to switch the internal oven lights on and off. The light symbol will show on the display when turned on.

PYROLYTIC CLEANING

With the Pyro clean mode, the internal temperature of the oven reaches 475°C. The pyrolytic cycle is activated, burning away food and grime residues. Dirt is literally incinerated. Keep children away from the appliance during the automatic cleaning cycle as surfaces may become very hot. Particles may ignite inside the oven due to the combustion process. There is no cause for concern: this process is both normal and hazard-free.





Before initiating the **PYRO CLEAN** mode:

- › Remove large or coarse food residues from the inside of the oven using a damp sponge. Do not use detergents.
- › Clean the inside of the oven door with a damp cloth. This will prevent cooking residue from sticking to the glass.
- › Make sure the room is well ventilated
- › Remove the side racks, telescopic runners, trays and wire shelves.
- › Remove all accessories.
- › Do not place tea towels or pot holders over the oven handle.
- › Ensure any tin foil is removed from the oven cavity.

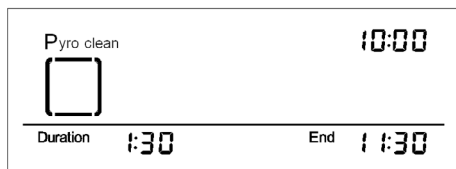
NOTE:

If the oven is too hot, the pyrolytic may not start. Wait for the oven to cool down.

NOTE:

The programme may only be started once the oven door has been closed. To use the Pyro cleaning function, turn the oven on with the  button, and using the  button select the Pyro cleaning function. The default display is as below and **DURATION** will keep flashing. Adjust the time using the  /  buttons followed by **SELECT** to confirm. The available time settings are 1:15, 1:30 and 2:00.

Press  to start Pyrolytic Cleaning function.




END TIME:

Once the **DURATION** time has been set, press the  until the **END** time starts to flash. Adjust the end time by pressing / and press **SELECT** to confirm. Oven start time = End time - Duration time.

For example: if you select the 1:30 duration and the time is 3pm you can select an end time of 6pm and the pyro clean will automatically start at 4:30pm.

SAFETY DEVICES

- › The icon  on the display, when lit, indicates that the oven door is automatically locked as soon as the temperature reaches a high value.
- › If a malfunction occurs, the heating elements will be switched off.

Once the oven door has been locked, you cannot change the duration and cycle end time settings.

ONCE THE PYROLYTIC CLEANING CYCLE IS OVER

You will have to wait until the temperature inside the oven has cooled down sufficiently before you can open the oven door. You will notice some white dust deposits on the bottom and the sides of your oven; remove these deposits with a damp sponge once the oven has cooled down completely alternatively, you can make use of the already heated oven, in which case it is not necessary to remove the deposits, they are completely harmless and will not affect your food in any way.



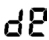
WARNING:

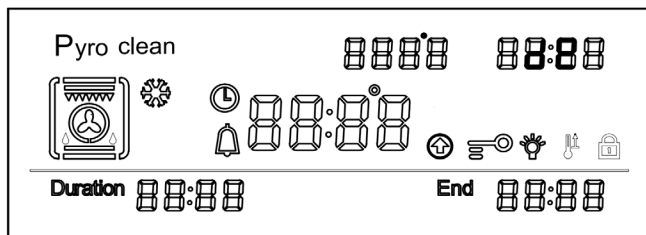
The cleaning function heats to very high temperatures to ensure that left over food will burn off. This process releases vapours:

- › Keep the kitchen well ventilated while the cleaning function is running
- › Keep children and pets away
- › Do not remain in the room for prolonged periods during the cleaning process.

DEMO MODE

TO TURN ON DEMO MODE:




Press the  button to turn the oven on (in standby mode). Press and hold the  button for 5 seconds. The alarm will beep 3 times, and the  will appear in the top right of the display to confirm the oven has entered demo mode.



In demo mode, the normal operation of the cooling fan, circulation fan, and lighting work normally, however all heating elements and other functions are disabled.

If the oven is turned off, it will remain in Demo mode when the oven is turned back on.

TO TURN OFF DEMO MODE:

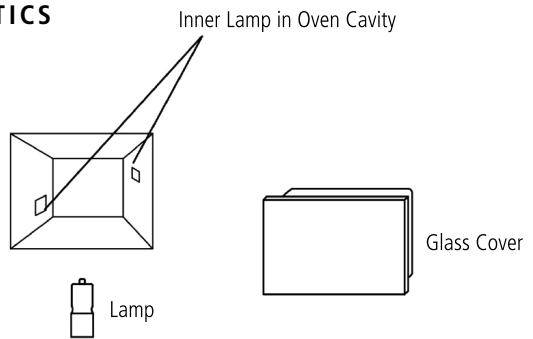
Press the  button to enter standby mode, then press and hold the  for 5 seconds. The alarm will beep 3 times, and the  will disappear from the display to confirm the system has exited Demo mode, and is ready for normal use.

REPLACING THE OVEN LAMPS

- › Switch off your oven at the mains.
- › Remove the glass cover of the lamp-holder
- › Remove the light bulb and replace it with a similar one
- › Remount the glass cover and reconnect the appliance to the power supply

HALOGEN LAMP CHARACTERISTICS

- › Voltage: AC220V-240V
- › Wattage: 25W
- › Cap: G9



DO NOT TOUCH the light bulb directly with your hands.

WARNING:

Ensure that the appliance is disconnected from the mains before replacing the lamp to avoid the possibility of electric shock.

TELESCOPIC RUNNERS

To assemble the telescopic runners:

- › Remove the side racks (see section below and Fig.2)
- › Choose which shelf to use with the telescopic runner. Paying attention to the direction in which the runner is to be extracted, position joint 'B' and joint 'C' on the frame (see Fig. 1).
- › Squeeze the bars together slightly and clip either end of the telescopic runners on to the side racks.
- › Finally, refit the side racks (See below and Fig.2)

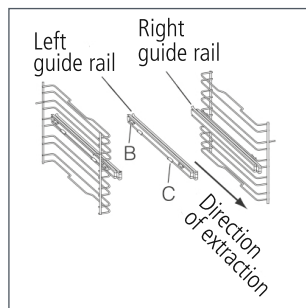
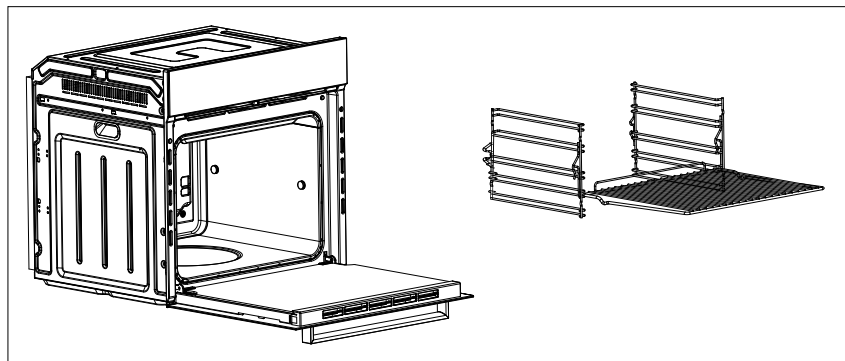


Figure 1.

SIDE RACKS

Attach the side racks by pushing these onto the furthest steel clip and then clicking the other end onto the closest steel clip.

Figure 2.



Scan the QR code below to access the 'How to video'.



TROUBLESHOOTING

TROUBLES	SOLUTION
The oven does not operate	<ul style="list-style-type: none">› Check it is switched on at the mains› There has been a power cut› The time is not set
The oven is not heating	<ul style="list-style-type: none">› The thermostat is not turned to a temperature
The interior lamp does not illuminate	<ul style="list-style-type: none">› Check the product is connected to the electrical supply and is switched on› Replace the bulb
Lower and upper parts of the oven are not cooking evenly	<ul style="list-style-type: none">› Control the shelf location, cooking period and temperatures according to the manual

If the problem still persists, please contact Caple service for assistance:

T - 0117 938 7420

E - service@caple.co.uk

REMOVING THE OVEN DOOR

To make it easier to clean the inside of your oven, the oven door can be removed, by proceeding as follows (Fig. 1-2):

- › Open the door completely and lift the 2 levers "B" (Fig.1);
- › Now, shutting the door slightly, you can lift it out by pulling out the hooks "A" as shown in figure 2.

TO REASSEMBLE THE DOOR

- › With the door in a vertical position, insert the two hooks "A" into the slots;
- › Ensure that seat "D" is hooked perfectly onto the edge of the slot (move the oven door backwards and forward slightly);
- › Keep the oven door open fully, unhook the 2 levers "B" downwards and then shut the door again.

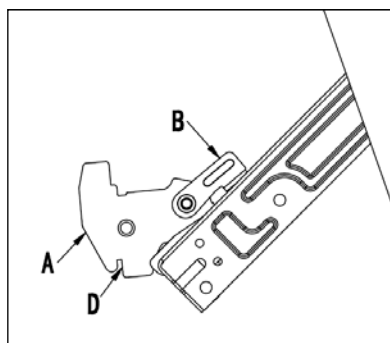


Fig 1

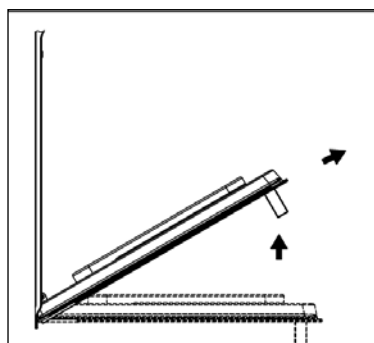


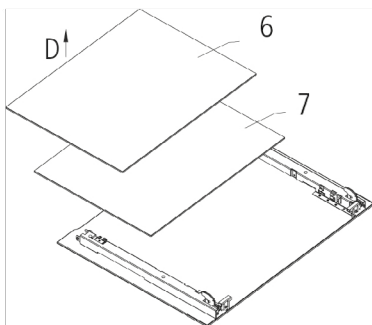
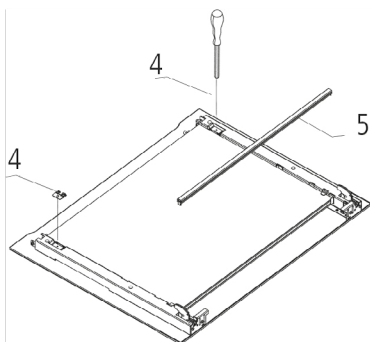
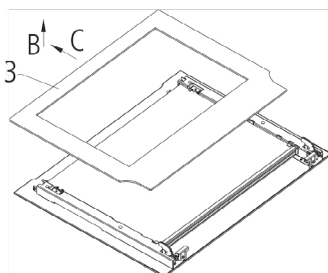
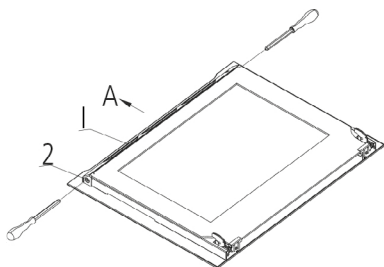
Fig 2

Scan the QR code below to access the 'How to video'.



REMOVING THE GLASS PANELS

The oven door is made up of 4 panes of glass and has vents at the top and bottom. When the oven is operating, air is circulated through the door to keep the outer pane cool. If condensation has worked its way in between the glass panes, the door can be dismantled in order to clean in between the panes. Remove the door as per the below instructions and place it on a protective surface (e.g. on a table cloth) to prevent it getting scratched. The door handle should line up with the edge of the table. Make sure the glass lies flat to avoid breakage of glass during cleaning.



NOTES:

NOTES:



Caple Service

Fourth Way

Avonmouth

Bristol

BS11 8DW

T: 0117 938 1900

E: service@caple.co.uk

www.caple.co.uk