



# Sense single pyrolytic oven Instruction manual

## C2401GM



Contact Caple on 0117 938 7420 or for spare parts [www.caple.co.uk](http://www.caple.co.uk)





# CONTENTS

Safety Warnings	3
Installation	12
Oven Dimensions	13
Electrical Connection	14
Control Panel and Display	15
Accessories	15
Operation	16
Temperature Settings	17
Demo Mode	19
Pyrolytic Cleaning	20
Replacing the oven lamp	22
Troubleshooting	23
Removing The Oven Door	24
Removing The Glass Panels	25
Telescopic runners	26
Technical Fiche	27

Please keep this instruction manual for future reference





## SAFETY INSTRUCTIONS

Read these instructions carefully and completely before using your appliance, keep it in a convenient place for reference when necessary.

- This appliance can be used by children aged from 8 years and above.
- Persons with reduced physical, sensory or mental capabilities or lack of experience and knowledge must be supervised and given appropriate instruction concerning the use of the appliance in a safe way and understand the hazards involved.
- Children shall not play with the appliance.
- Cleaning and user maintenance should not be carried out by children without supervision.
- The appliance is not intended to be operated by means of an external timer or separate remote control system.

Please keep this instruction manual for future reference

Instruction manual C2401GM 3





## **WARNING:**

- The appliance and its accessible parts become hot during use. Care should be taken to avoid touching heating elements.
- Children less than 8 years of age should be kept away unless continuously supervised.
- To prevent fire hazards do not store items on the cooking surfaces.
- During use, handles can get hot.
- Do not use harsh abrasive cleaners or sharp metal scrapers to clean the oven door glass or any other surface of the appliance as it can scratch the surface which may result in the glass shattering or permanent damage to the surface.
- Do not use steam cleaners for cleaning the appliance.
- Ensure the appliance is switched off before replacing the lamp to avoid the possibility of electric shock.

Please keep this instruction manual for future reference





## CAUTION:

- Accessible parts may be hot when the cooking or grilling is in use. Young children should be kept away.
- Your appliance is produced in accordance with all applicable local and international standards and regulations.
- Maintenance and repair work must be made only by authorised Caple service technicians. Installation and repair work that is carried out by unauthorised technicians may endanger you.
- It is dangerous to alter or modify the specifications of the appliance in any way.
- Prior to installation, ensure that the local distribution conditions (electricity voltage and frequency) and the requirements of the appliance are compatible. The requirements for this appliance are stated on the rating label.
- This appliance is designed only for cooking food and is intended for indoor use.

Please keep this instruction manual for future reference

Instruction manual C2401GM 5





- This product is not designed for commercial use, it is a household appliance only. It is not intended to be used in:
  - Staff kitchen areas in shops, offices and other working environments.
  - Bed and breakfast type environments.
  - By clients in hotels, motels and other residential type environments.
- Do not try to lift or move the appliance by pulling the door handle.
- All possible security measures have been taken to ensure your safety. Since the glass may break, you should be careful while cleaning to avoid scratching.
- Avoid hitting or knocking on the glass with accessories.
- Ensure that the supply cord is not wedged during the installation. If the supply cord is damaged, it must be replaced by a Caple service technician or similarly qualified persons in order to prevent a hazard.
- While the oven door is open, do not let children climb on the door or sit on it.

Please keep this instruction manual for future reference





## INSTALLATION WARNINGS

- Do not operate the appliance before it is fully installed.
- The appliance must be installed by an authorised technician.
- Caple is not responsible for any damage that may be caused by defective placement and installation by unauthorised persons.
- When unpacking the appliance, make sure that it is not damaged during transportation. In the case of any defect; do not use the appliance and contact your retailer or Caple Service immediately.
- Materials used for packaging (nylon, staplers, styrofoam etc) may cause harmful effects to children they should be disposed of immediately.
- Protect your appliance against atmospheric effects. Do not expose it to effects such as sun, rain, snow etc.
- The surrounding materials of the appliance (i.e. kitchen cabinet or furniture) must be able to withstand a minimum temperature of 120°C.

Please keep this instruction manual for future reference

Instruction manual C2401GM 7





## DURING USAGE

- Before using the oven for the first time, heat the empty oven at max. temperature for 1 hour – removing any unpleasant smells and smoke caused by working residues and thermal insulation. Make sure you do this in a well ventilated area.
- During usage, the outer and inner surfaces of the oven get hot. While opening the oven door, step back to avoid the hot steam coming out of the oven as there may be a risk of burns.
- Do not put flammable or combustible materials in or near the appliance when it is operating.
- Always use oven gloves to remove and replace food in the oven.
- Pay close attention to the oven while cooking with solid or liquid oils as they could potentially catch fire when oven is hot.
- Never pour water on flames that are caused by oil. Cover the saucepan or frying pan with its lid in order to choke the flame and turn the oven off.
- If you know you will not be using the appliance for a while switch it off from the main supply and unplug it.
- The oven shelves and trays incline when pulled out. Be careful not to let hot liquid spill over.

Please keep this instruction manual for future reference





- When the door of the oven is open, do not leave anything on it. It may unbalance your appliance or damage the door.
- Do not put anything heavy, flammable or ignitable (nylon, plastic bag, paper or cloth etc) into the oven. This includes cookware with plastic accessories (e.g. handles). Do not hang towels, dishcloths or clothes from the appliance or its handles.
- Do not use the oven for storage purposes.
- Do not touch the appliance with wet hands.
- Do not obstruct the ventilation openings.
- Do not allow supply cords from other small appliances to come into contact with the oven.

## **DURING CLEANING AND MAINTENANCE**

- Always switch off the appliance from the mains isolating the electrical supply before any cleaning or maintenance.
- To maintain the efficiency and safety of your appliance, we recommend you always use original spare parts and to call only our authorised Caple Service agents in case of need.

Please keep this instruction manual for future reference

Instruction manual C2401GM 9





## ENVIRONMENTAL PROTECTION

Waste electrical products should not be disposed of with household waste. Please recycle where facilities exist. Check with your Local Authority or retailer for recycling advice.

This appliance is marked according to the European directive on Waste Electrical and Electronic Equipment (WEEE). By ensuring this product is disposed of correctly, you will help prevent potential negative consequences for the environment and human health, which could otherwise be caused by inappropriate waste handling of this product. The symbol on the product indicates that this product may not be treated as household waste. Instead it shall be handed over to the applicable collection point for the recycling of electrical and electronic equipment. Disposal must be carried out in accordance with local environmental regulations for waste disposal.

For more detailed information about treatment, recovery and recycling of this product, please contact your local council, your household waste disposal service or the retailer where you purchased the product.

## WARRANTY

Your new appliance is covered by warranty. The warranty card is enclosed - if it is missing, you must provide the following information to your retailer in order to receive a replacement: date of purchase, model and serial number. Registration can also be completed online by visiting [www.caple.co.uk](http://www.caple.co.uk).

Ensure you keep your warranty card safe, you may need to show it to Caple Service together with proof of purchase.

If you fail to show your warranty card you will incur all repair charges.

Spare parts are only available from Caple Service and spare parts authorised centres.

Please keep this instruction manual for future reference





## ATTENTION

Before use, remove all plastic films protecting some parts of the appliance (fascia - panel, parts in stainless steel, etc)

Do not use the appliance to heat a room.

When the appliance is not in use, we recommend you turn it off, and isolate it from the electrical supply.

## CE DECLARATIONS OF CONFORMITY **CE**

This appliance has been designed, constructed and marketed in compliance with safety requirements in force. This appliance has been manufactured to the strictest standards and complies with all applicable legislation.



Please keep this instruction manual for future reference

Instruction manual C2401GM 11





## INSTALLATION

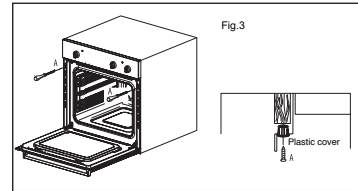
**IMPORTANT:**  
**ISOLATE YOUR OVEN FROM THE ELECTRICAL SUPPLY BEFORE PERFORMING INSTALLATION OR MAINTENANCE.**

Installation should be carried out according to the instructions by a professionally qualified person only.

The manufacturer declines all responsibility for any damage to persons, animals or materials due to incorrect installation.

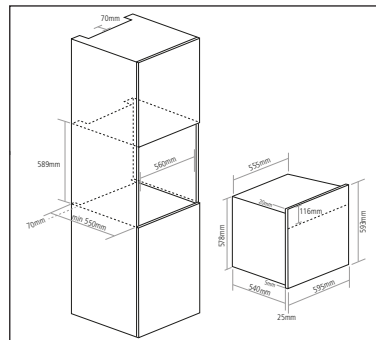
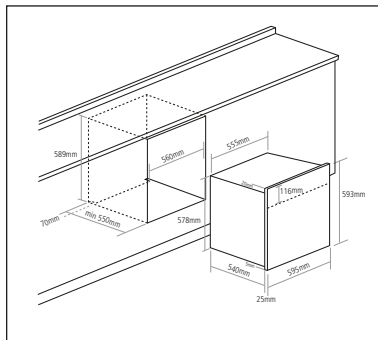
### FITTING THE APPLIANCE

Fit the appliance into its surround (beneath a worktop or above another appliance in a tall housing) by inserting screws and plastic covers into the 2 holes (A - fig.3) that can be seen in the frame of the oven when the door is open.



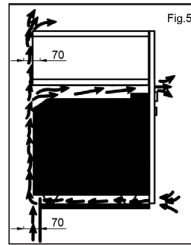
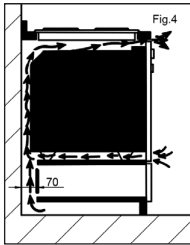
For the most efficient air circulation, the oven should be fitted according to the dimensions shown in fig. 1 & 2.

The rear panel of the cabinet must be removed so that air can circulate freely. The panel to which the oven is fitted should have a gap of at least 70 mm at the rear for ventilation (fig.4 & fig.5).



Please keep this instruction manual for future reference





See below for full dimensional drawings of your oven to help with installation.

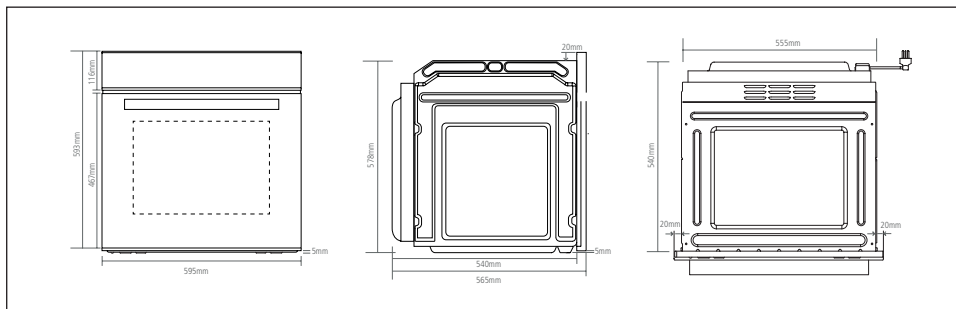
For a built-in oven to work well the cabinet must be of the right type.

The panels of the adjoining furniture should be heat resistant. Particularly when the adjoining furniture is made of veneered wood, the adhesives should be able to withstand a temperature of 120°C. Plastic materials or adhesive which cannot withstand this temperature may become deformed or unstuck.

To comply with safety regulations, once the appliance has been fitted it should not be possible to make contact with the electrical parts.

All parts which offer protection should be fixed in such a way that they cannot be removed without the use of a tool.

## OVEN DIMENSIONS



Please keep this instruction manual for future reference





## ELECTRICAL CONNECTION

### **WARNING: THIS APPLIANCE MUST BE EARTHED**

Check that the power rating of the mains supply is suitable for the maximum power of the appliance as indicated on the rating label.

The fuse rating for this appliance is 20amp.

The appliance is supplied with a mains lead it should be "Hard wired" as follows:

The "yellow/green" earth wire, which must be connected to a terminal, and has to be about 10mm longer than the other wire.

The neutral wire has to be connected to the terminal marked with a letter N.

The Live wire should only be connected to the terminal marked L.

Mains connection can also be made by fitting a double pole switch with a minimum gap between the contacts of 3mm, proportionate to the load and complying with the regulations in force.

### **The yellow/green earth wire should not be controlled by the switch.**

When a double pole switch is used for mains supply connection it should be easily accessed, once the appliance is in position.

### **IMPORTANT:**

The mains supply cable should be positioned so that it is never subjected to temperatures which are more than 50°C above ambient temperature.

The electrical safety of the appliance can only be guaranteed when it has been correctly connected to a properly earthed mains electrical supply, as laid down in the current regulations for electrical safety.

The manufacturer cannot be held responsible for any damage to persons or objects due to lack of an earth connection.

The ovens are designed to operate with a mono-phase alternating current of 220-240V, 50Hz.

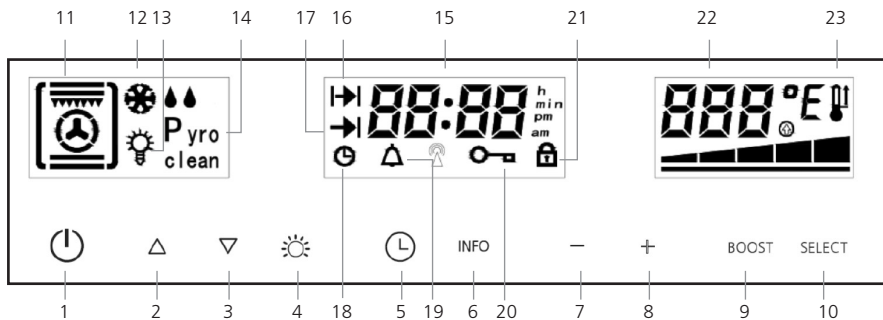
**Before the installation of the appliance, check the specifications on the rating label.**

Please keep this instruction manual for future reference





## CONTROL PANEL AND DISPLAY



### Button Description

1. Power (on/off)
2. Up
3. Down
4. Light
5. Timer/Alarm
6. Information
7. Decrease (-)
8. increase (+)
9. Boost
10. Select

### Display description

11. Programme
12. Defrost
13. Light
14. Pyrolytic cleaning
15. Time
16. Cooking time
17. End time
18. Time setting
19. Alarm
20. Pyro lock
21. Child safety lock
22. Temperature
23. Boost

## ACCESSORIES

- 2 x Chrome oven shelves
- 1 x Grill pan with rack and handle
- 2 x Telescopic runners ( x2 pairs )

To purchase additional or replacement accessories, please visit [www.caple.co.uk](http://www.caple.co.uk)

Please keep this instruction manual for future reference

Instruction manual C2401GM 15

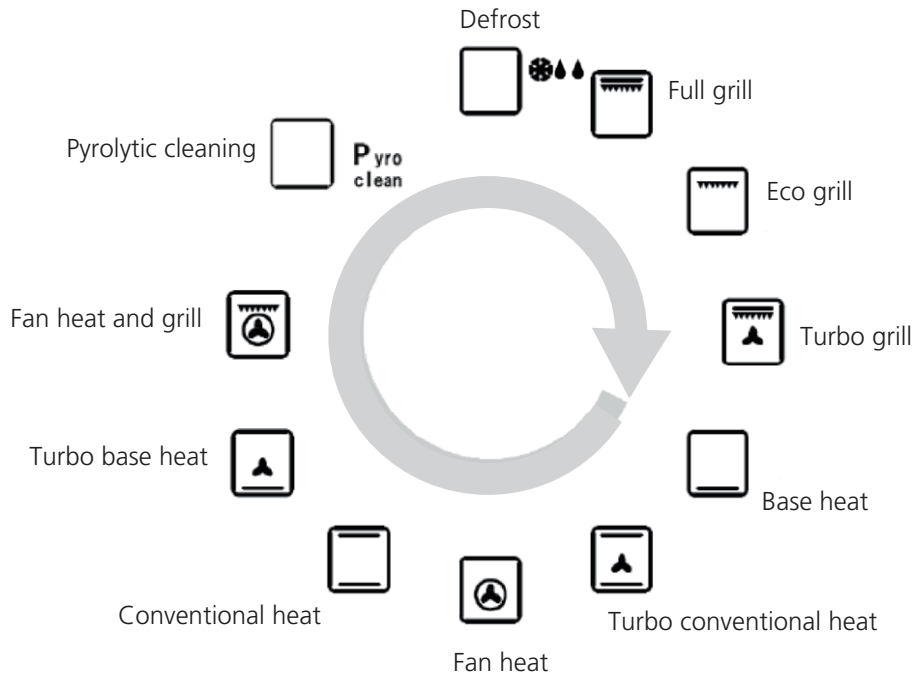




## OPERATION

Press the power button to turn on the oven, and then press the UP & DOWN buttons to toggle through the different functions.

Press the SELECT key to confirm a function, otherwise temperature zone will keep flashing, to remind you to confirm the setting



Please keep this instruction manual for future reference





## TEMPERATURE SETTING

Once a function has been selected, press the + / - buttons to adjust the set temperature and SELECT to confirm this.

The selected temperature is displayed in the right hand screen. The special heating symbol displays on this screen to show the oven is heating up, and will disappear when the oven reaches the set temperature.

The temperature can be checked by pressing the "info" key, the real temperatures will show in display panel for 3 seconds, and then back to set temperature.

There are 5 temperature strips shown below the set temperature in the display panel during heating. Every strip shows 20% of set temperature reached.

## INFO SETTING

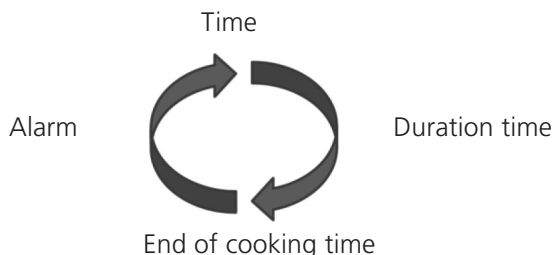
Press the INFO key for 5 seconds to start info setting. Press + / - buttons to select mode.

Press SELECT key to confirm setting.

Mode	Info	1	2	3
1	Time display	always	Only show when oven on	
2	Audio signal	short	medium	long
3	Brightness setting	weak	medium	strong
4	Beep to start chosen function	no	yes	

## TIME SETTING

Time zone can show "time, cooking time, end of cooking time and alarm" in this sequence,





Please keep this instruction manual for future reference






## ALARM SETTING



Press the  button until the alarm symbol  flashes. Then press the + / - buttons to set the time, and SELECT to confirm. To cancel the alarm, set the time to '0:00' and confirm.

## TIME SETTINGS

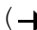
To set or change the time, turn the oven on with the power key (do not select a function). Press the  button twice to start the time setting. Press the + / - buttons to change the time and SELECT to confirm.


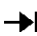
When the oven is first turned on or restarts, the time must be re set.

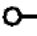
## COOKING TIME (0 - 10 HRS)

Press the  button to select the cooking time function. The  symbol will keep flashing and the time will show '0:30'. Press the + / - buttons to set the required cooking time and SELECT to confirm. If you want to cancel the cooking time, set the cooking time to '0:00' and press


## END OF COOKING TIME

You must set the 'Cooking time' (  ) before setting the 'End of cooking time'.

Press the  button until the  symbol keeps flashing. The time zone will display the current time + the set cooking time. Press the + / - buttons to set the end cooking time, and SELECT to confirm. The oven will then calculate the end cooking time - Cooking time to determine when to start cooking. The oven will then start at the calculated time.

When the  symbol shows, the 'End of cooking time' cannot be set. To cancel the 'End of cooking time' set it to current time + cooking time.


## CHILD SAFETY LOCK

Press and hold the SELECT button for 5 seconds to activate the Child safety lock. The display will show the  symbol. To deactivate, press and hold the SELECT button again for 5 seconds.





## BOOST



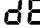
When the set temperature is greater than 100 degrees and the pre-heat function hasn't finished, you can press the BOOST key to start the rapid heatup mode. When activated, the symbol  will be displayed on the temperature screen.

The BOOST setting can only be used with the below functions:



## DEMO MODE

### TO TURN ON DEMO MODE:




Press the  button to turn the oven on (in standby mode). Press and hold the  button for 5 seconds. The alarm will beep 3 times, and  will appear in the top right of the middle display to confirm the oven has entered demo mode.



In demo mode, the normal operation of the cooling fan, circulation fan, and lighting work normally, however all heating elements and other functions are disabled.

If the oven is turned off, it will remain in Demo mode when the oven is turned back on.

To turn off demo mode

Press the  button to enter standby mode, then press and hold the  button for 5 seconds. The alarm will beep 3 times, and the  will disappear from the display to confirm the system has exited Demo mode, and is ready for normal use.

Please keep this instruction manual for future reference





## PYROLYTIC CLEANING

With the Pyro clean mode, the internal temperature of the oven reaches 475°C. The pyrolytic cycle is activated, burning away food and grime residues. Dirt is literally incinerated. Keep children away from the appliance during the automatic cleaning cycle as surfaces may become very hot. Particles may ignite inside the oven due to the combustion process. There is no cause for concern: this process is both normal and hazard-free.



Before initiating the **Pyro clean** mode:

- Remove large or coarse food residues from the inside of the oven using a damp sponge. Do not use detergents.
- Remove the side racks, telescopic runners, trays and wire shelves.
- Remove all accessories.
- Do not place tea towels or pot holders over the oven handle.
- Ensure any tin foil is removed from the oven cavity.


### NOTE:

If the oven is too hot, the pyrolytic may not start. Wait for the oven to cool down.

### NOTE:

The program may only be started once the oven door has been closed. To use the Pyro cleaning function, turn the oven on with the  button, and using the  select the Pyro cleaning function, followed by SELECT to confirm.

## COOKING TIME


By pressing the  button you can choose three modes of cleaning with default time settings (1:15, 1:30 and 2:00)

An end time for **Pyro clean** cycle can also be programmed the same way as setting the normal cooking end time. See previous instruction for info on how to set this.





## SAFETY DEVICES

- The icon  on the display, when lit, indicates that the oven door was automatically locked as soon as the temperature reached a high value.
- If a malfunction occurs, the heating elements will be switched off.

Once the oven door has been locked, you cannot change the duration and cycle end time settings.

## ONCE THE PYROLYTIC CLEANING CYCLE IS OVER

You will have to wait until the temperature inside the oven has cooled down sufficiently before you can open the oven door. You will notice some white dust deposits on the bottom and the sides of your oven; remove these deposits with a damp sponge once the oven has cooled down completely alternatively, you can make use of the already heated oven, in which case it is not necessary to remove the deposits, they are completely harmless and will not affect your food in any way.

### WARNING:

The appliance is fitted with an automatic diagnostic system which detects any malfunctions. Malfunctions are displayed by messages of the following type 'E', followed by numbers.

Refer to the 'Troubleshooting' section if a malfunction occurs, or alternatively call Caple service for assistance.

PLEASE HAVE THE FOLLOWING INFORMATION TO HAND:

- The type of problem encountered;
- The serial number(S/N);

(This can be found on the Rating plate located on the appliance)

Please keep this instruction manual for future reference

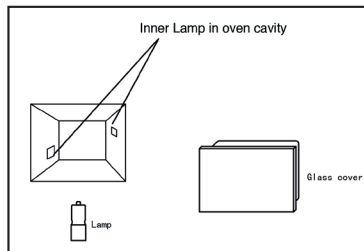
Instruction manual C2401GM 21





## REPLACING THE OVEN LAMPS

- Switch off your oven at the mains.
- Remove the glass cover of the lamp-holder
- Remove the light bulb and replace it with a similar one
- Remount the glass cover and reconnect the appliance to the power supply



### Halogen lamp characteristics

- Voltage: AC220V-240V
- Wattage: 25W
- Cap: G9

**DO NOT TOUCH** the light bulb directly with your hands.

### WARNING:

Ensure that the appliance is disconnected from the mains before replacing the lamp to avoid the possibility of electric shock.

Please keep this instruction manual for future reference





## TROUBLESHOOTING

Troubles	Solution
The oven does not operate	Check it is switched on at the mains There has been a power cut The time is not set
The oven is not heating	The thermostat is not turned to a temperature
The interior lamp does not illuminate	Check the product is connected to the electrical supply and is switched on Replace the bulb
Lower and upper parts of the oven are not cooking evenly	Control the shelf location, cooking period and temperatures according to the manual

If the problem still persists, please contact Caple service for assistance:

T - 0117 938 7420

E - [service@caple.co.uk](mailto:service@caple.co.uk)

## ERROR DISPLAY

Display	Error	Reason
E 01	No sensor	Temperature might be too high; oven will stop working and cooling fan start.
E 02	Sensor short circuit	Wrong sensor. Oven will stop working and cooling fan start.
E 03	Door lock	Door lock reset switch is not registering. Possibly unplugged.

Please keep this instruction manual for future reference





## REMOVING THE OVEN DOOR

To make it easier to clean the inside of your oven, the oven door can be removed, by proceeding as follows (Fig. 1-2):

- Open the door completely and lift the 2 levers "B" (Fig. 1);
- Now, shutting the door slightly, you can lift it out by pulling out the hooks "A" as shown in figure 2.

To reassemble the door:

- With the door in a vertical position, insert the two hooks "A" into the slots;
- Ensure that seat "D" is hooked perfectly onto the edge of the slot (move the oven door backwards and forward slightly);
- Keep the oven door open fully, unhook the 2 levers "B" downwards and then shut the door again.

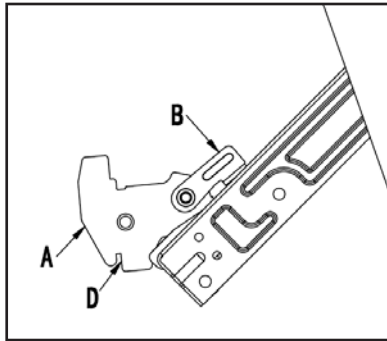


Fig 1

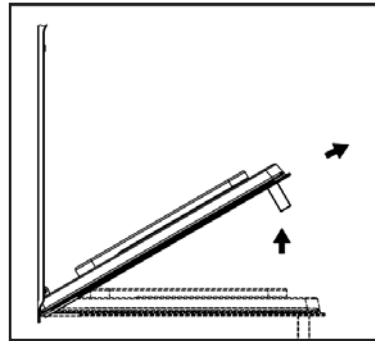


Fig 2

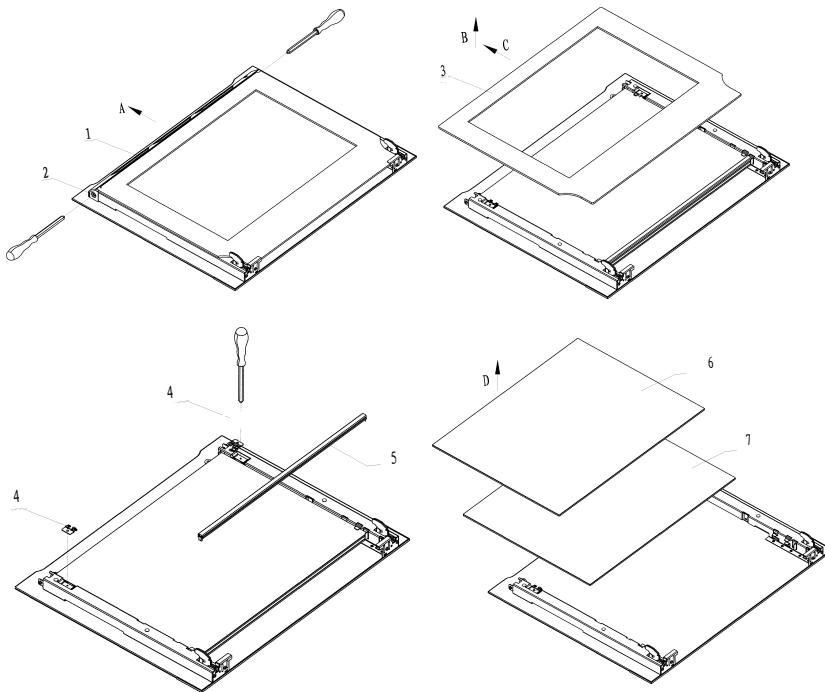
Please keep this instruction manual for future reference





## REMOVING THE GLASS PANELS

The oven door is made up of 4 panes of glass and has vents at the top and bottom. When the oven is operating, air is circulated through the door to keep the outer pane cool. If condensation has worked its way in between the glass panes, the door can be dismantled in order to clean in between the panes. Remove the door as per the below instructions and place it on a protective surface (e.g. on a table cloth) to prevent it getting scratched. The door handle should line up with the edge of the table. Make sure the glass lies flat to avoid breakage of glass during cleaning.



Please keep this instruction manual for future reference





## TELESCOPIC RUNNERS

To assemble the telescopic runners:

- Remove the side racks (see section below and Fig.2)
- Choose which shelf to use with the telescopic runner. Paying attention to the direction in which the runner is to be extracted, position joint 'B' and joint 'C' on the frame (see Fig.1).
- Squeeze the bars together slightly and clip either end of the telescopic runners on to the side racks.
- Finally, refit the side racks (See below and Fig.2)

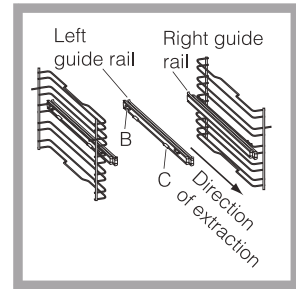


Figure 1.

## SIDE RACKS

Attach the side racks by pushing these onto the furthest steel clip and then clicking the other end onto the closest steel clip.

Visit our Caple website to view a 'How to video' on this. [www.caple.co.uk](http://www.caple.co.uk)

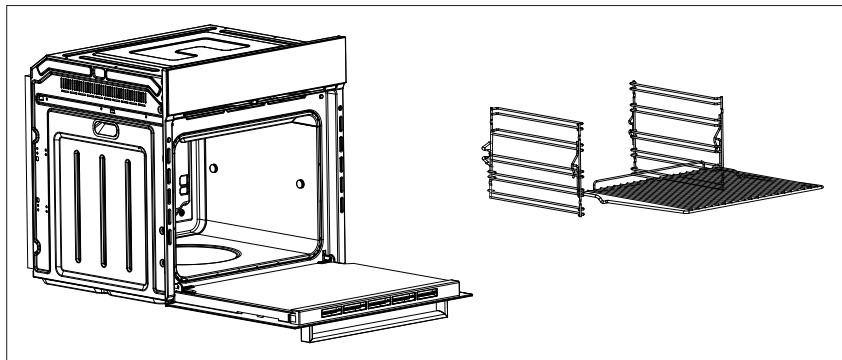


Figure 2.

Please keep this instruction manual for future reference





## TECHNICAL FICHE

Caple	
Model	C2401GM
Type of oven	Electric
Mass	40.50kg
Energy Efficiency Index Conventional	98.1
Energy Efficiency Index Fan forced	98.1
Energy Class	A
Energy Consumption (Electricity) conventional	0.82
Energy Consumption (Electricity) fan forced	0.86
Number of cavities	1
Heat Source	Electric
Volume	67
This oven complies with EN 60350-1:2016	

Please keep this instruction manual for future reference

Instruction manual C2401GM 27





Caple Service  
Fourth Way  
Avonmouth  
Bristol  
BS11 8DW

t: 0117 938 7420  
e: [service@caple.co.uk](mailto:service@caple.co.uk)  
[www.caple.co.uk](http://www.caple.co.uk)

Version 1

Please keep this instruction manual for future reference

