



CMS260BS

Caple Sense Microwave & Steam Black Steel

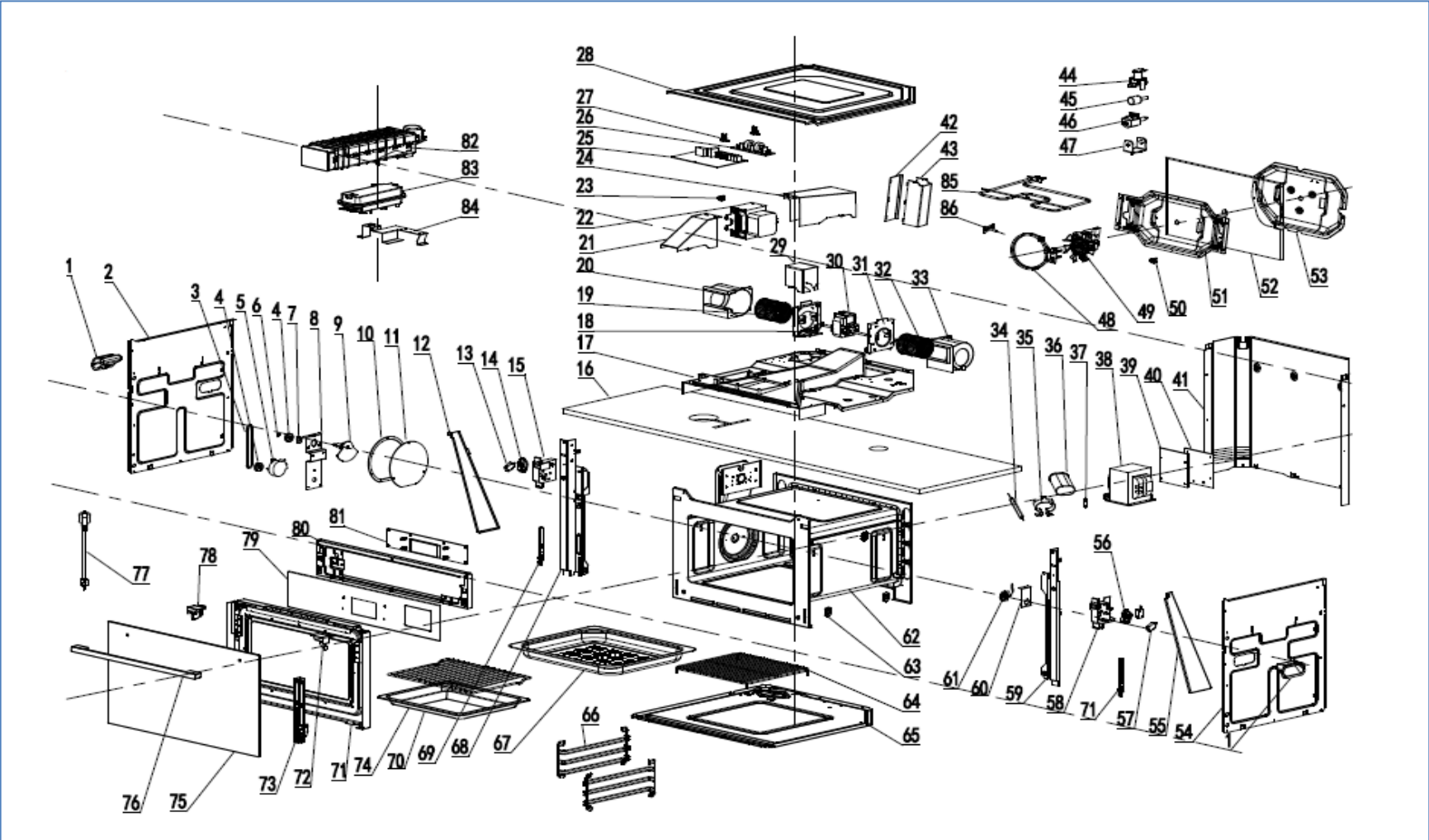


Technical Manual



CMS260BS

Caple Sense Microwave & Steam Black Steel





CMS260BS

Caple Sense Microwave & Steam Black Steel

Item	Part Number	Description	Remarks 1	Remarks 2	Qty
1	1320400101	Holder			2
2	2202800109	Left panel			1
3	1300900101	Strap			1
4	1300800101	Pulley			2
5	1440020010301	Stirrer motor			1
6	2203500101	Wheel tablet for stirrer motor			1
7	1301500106	Gasket for stirrer motor			1
8	2201600101	Fixing plate for stirrer motor			1
9	2201700203	Stirrer assembly			1
10	130160010201	Gasket for stirrer cover			1
11	2201300101	Stirrer cover			1
12	219170020102	Left support for cavity			1
13	CM111MSL	Left hand micro-switch assembly	Microswitch 2 terminals	14401400101	1
14			Left rotating arm	1300300101	1
15			Left door switch base	1300200103	1
16	198010040101	Top insulation cotton			1
17	2202000105	Top cover			1
18	117090010102	Fixing plate for the left air passage			1
19	1171300101	Centrifugal fan (Left)			1
20	1170800103	Left air passage			1
21	220210010401	Front vent			1
22	14400100402	Magnetron			1
23	14401100101	Thermostat 155°C			1
24	2202100105	Rare vent			1
25	1471000504	Main PCB			1
26	14401600201	Filter board			1
27	14401100106	Thermostat 105°C			2
28	2203000103	Top panel			1
29	2202100103	Side air passage			1
30	1440020010201	Fan motor			1
31	1170900102	Fixing plate for the right air passage			1
32	1171300102	Centrifugal fan (right)			1
33	1170800102	Right air Passage			1
34	14401300101	High-voltage fuse assembly			1
35	2202700101	High voltage capacitor fixing clip			1
36	14400900101	High voltage capacitor			1



CMS260BS

Caple Sense Microwave & Steam Black Steel

Item	Part Number	Description	Remarks 1	Remarks 2	Qty
37	14401000101	High-voltage diode			1
38	1440080010301	Transformer			1
39	2204500101	Inner magnetic isolation plate			1
40	2204500102	Outer magnetic isolation plate			1
41	219100050101	Rare panel			1
42	2205100102	Vent cover			1
43	2205100101	Vent bottom			1
44	1470900101	Solenoid valve for water discharge			1
45	1302600103	Two-diameter silicone tube			1
46	1160700101	Electromagnetic water pumps			1
47	1361400101	Fixing bracket for electromagnetic pump			
48	1420500402	Circle heater			1
49	142090020501	Convection fan			1
50	1440110010401	Thermostat 125°C			1
51	2201800102	Fixing plate for fan motor			1
52	198010020101	Rare Insulation cotton			1
53	2201900103	Rare insulation cotton cover			1
51	2202800110	Right panel			1
52	219170020202	Right support for cavity			1
56	CM111MSR	Right hand micro-switch assembly	Right rotating arm	1300300102	1
57			Microswitch 3 terminals	14401400102	1
13			Microswitch 2 terminals	14401400101	1
58			Right door switch base	1300200104	1
59	2191700203	Right support			1
57	2204200301	Bulb bracket			1
58	1470200103	Bulb			1
60	2204100106	Cavity assembly			1
61	1171100103	Ceramic side shelves holder			4
63	1170700205	Small rack			1
64	2203400106	Bottom plate			1
65	SDACM111	Side shelves assembly	Side shelves	21151300609003	2
			Side shelves ring	With above	4
67	2191400107	Steam tray			1
69	2191700204	Left support			1
70	2203700101	Inner hinge			2



CMS260BS

Caple Sense Microwave & Steam Black Steel

Item	Part Number	Description	Remarks 1	Remarks 2	Qty
71	1170700202	Big rack			1
72	1171000107	Right door switch plug			1
73	1170500105	Door Hinge			2
74	1171900301	Glass Tray			1
75	DOGACM111BS	Door outer glass assembly	Door outer glass		1
			Black steel frame		1
			Handle connector		1
			Door glass connector		2
76	112240031403	Handle			1
77	14401200108	Cable			1
78	1171000107	Right door switch plug			1
79	CPACMS260BS	Black steel control panel glass assembly	Control panel glass		1
			Black steel frame control panel		1
80	2200200104	Control panel bracket			1
81	1471100406	TFT display			1
82	45WTCWM	Water tank assembly			1
83	SACMS260	Steamer assembly			1
84	2191800101	Steamer bracket			1
85	221513351007001	Top heater			1
86	221513549031001	Cavity sensor			1

BSCD450CMS Complete door