



Caple CMS260

Combi Microwave & Steam Oven

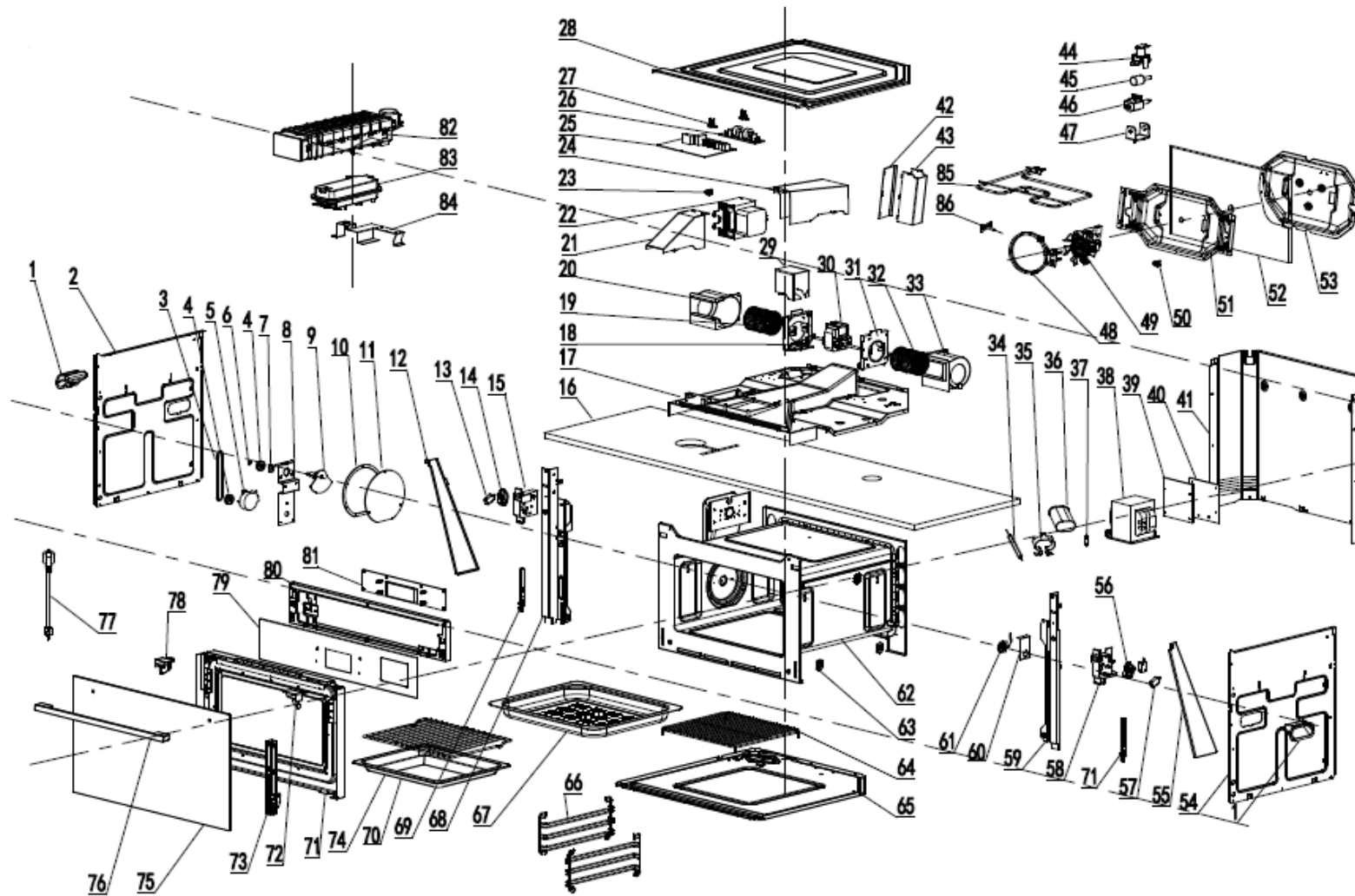


Technical Manual



Caple CMS260

Combi Microwave & Steam Oven





Caple CMS260

Combi Microwave & Steam Oven

Item	Part Number	Description	Qty	Remarks 1	Remarks 2
1	1320400101	Holder	2		
2	2202800109	Left panel	1		
3	1300900101	Strap	1		
4	1300800101	Pulley	2		
5	1440020010301	stirrer motor	1		
6	2203500101	wheel tablet for stirrer motor	1		
7	1301500106	Gasket for stirrer motor	1		
8	2201600101	Fixing plate for stirrer motor	1		
9	2201700203	stirrer assembly	1		
10	130160010201	Gasket for stirrer cover	1		
11	2201300101	stirrer cover	1		
12	219170020102	Left support for cavity	1		
13	CM111MSL	Left Hand Micro-switch assembly	1	Micro Switch (2 terminals)	14401400101
14			1	Left rotating arm	1300300101
15			1	Left door switch base	1300200103
16	198010040101	Top Insulation cotton	1		
17	2202000105	Top cover	1		
18	117090010102	Fixing Plate for the left air passage	1		
19	1171300101	Centrifugal fan (Left)	1		
20	1170800103	Left Air Passage	1		
21	220210010401	Front vent	1		
22	14400100402	Magnetron	1		
23	14401100101	Thermostat 155°C	1		
24	2202100105	Rare vent	1		
25	1471000504	Main PCB	1		
26	14401600201	filter board	1		
27	14401100106	Thermostat 105°C	2		
28	2203000103	Top Panel	1		
29	2202100103	Side Air passage	1		
30	1440020010201	fan motor	1		
31	1170900102	Fixing Plate for the right air passage	1		
32	1171300102	Centrifugal fan(right)	1		
33	1170800102	Right Air Passage	1		
34	14401300101	High-voltage fuse assembly	1		
35	2202700101	High voltage capacitor fixing clip	1		
36	14400900101	High voltage capacitor	1		
37	14401000101	High-voltage diode	1		
38	1440080010301	transformer	1		



Caple CMS260

Combi Microwave & Steam Oven

Item	Part Number	Description	Qty	Remarks 1	Remarks 2
39	2204500101	Inner Magnetic isolation plate	1		
40	2204500102	Outer Magnetic isolation plate	1		
41	219100050101	Rare panel	1		
42	2205100102	Vent Cover	1		
43	2205100101	Vent bottom	1		
44	1470900101	Solenoid valve for water discharge	1		
45	1302600103	Two-diameter silicone tube	1		
46	1160700101	Electromagnetic water pumps	1		
47	1361400101	Fixing bracket for Electromagnetic pump	1		
48	1420500402	circle heater	1		
49	1470600403	convection fan	1		
50	1440110010401	Thermostat 125°C	1		
51	2201800102	Fixing plate for fan motor	1		
52	198010020101	Rare Insulation cotton	1		
53	2201900103	rare isolation cotton cover	1		
51	2202800110	Right panel	1		
52	219170020202	Right support for cavity	1		
56	CM111MSR	Right Hand Micro-switch assembly	1	Right rotating arm	1300300102
57			1	Micro Switch(3 terminals)	14401400102
13			1	Micro Switch(2 terminals)	14401400101
58			1	Right door switch base	1300200104
59	2191700203	Right support	1		
57	2204200301	Bulb bracket	1		
58	1470200103	Bulb	1		
60	2204100106	Cavity assembly	1		
61	1171100103	Ceramic Side shelves Holder	4	To S/N May 2022	
61	221311377021004	Ceramic Side shelves Holder	4	From S/N May 2022	
63	1170700205	Small Rack	1		
64	2203400106	Bottom plate	1		
65	SDACM111	Side Shelves assembly	2	Side Shelves	211513006090003
			4	Side shelves ring	With above
67	2191400107	Steam tray	1		
69	2191700204	left support	1		
70	2203700101	Inner hinge	2		
71	1170700202	Big rack	1		
72	1171000107	Right door switch plug	1		
73	1170500105	Door Hinge	2		



Caple CMS260

Combi Microwave & Steam Oven

Item	Part Number	Description	Qty	Remarks 1	Remarks 2
74	1171900301	Glass Tray	1		
75	DOGACM111	Door outer glass assembly	1	Door Outer Glass	11701KP001
			1	Handle connector	220060010203
			2	Door glass connector	2122000301
76	1122400314	Handle (Silver)	1		
77	14401200108	Cable	1		
78	1171000107	Right door switch plug	1		
79	CPACMS260	Control Panel Glass Assembly	1	Control Panel Glass	1170300110
			2	Aluminium Strips	212940010102
80	2200200104	Control panel bracket	1		
81	1471100406	TFT Display	1		
82	45WTCWM	Water tank assembly	1		
83	SACMS260	Steamer assembly	1		
84	2191800101	Steamer Bracket	1		
85	221513351007001	Top heater	1		
86	221513549031001	Cavity sensor	1		

BKCD450CMS

Complete door