



CM111GM

Caple Built-In Combination Microwave Gun Metal

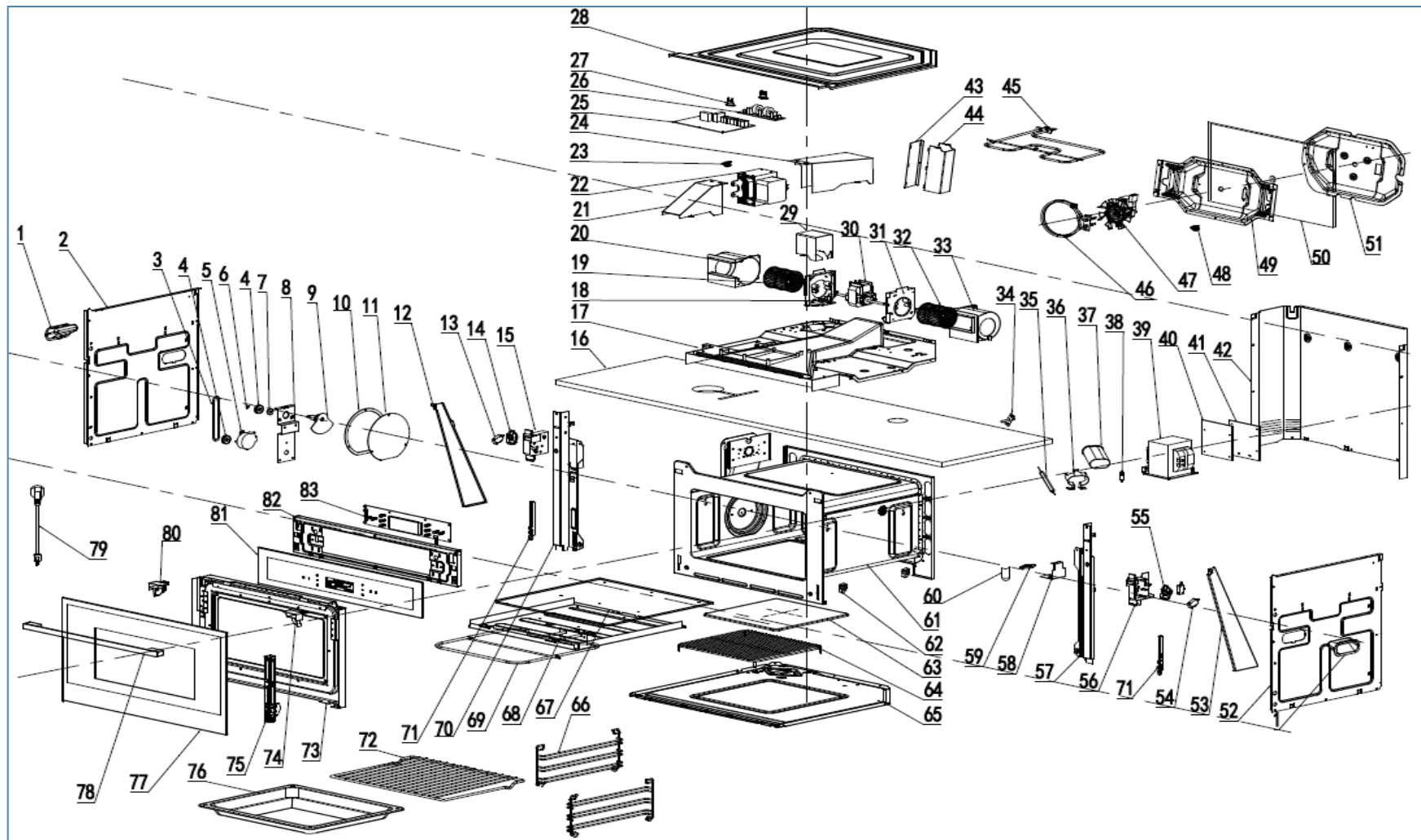


Technical Manual



CM111GM

Caple Built-In Combination Microwave Gun Metal





CM111GM

Caple Built-In Combination Microwave Gun Metal

Item	Part Number	Description	Additional Info	Additional Info	Qty
1	1320400101	Holder			2
2	2202800109	Left panel			1
3	1300900101	Strap			1
4	1300800101	Pulley			2
5	1440020010301	Stirrer motor			1
6	2203500101	Wheel tablet for stirrer motor			1
7	1301500106	Gasket for stirrer motor			1
8	2201600101	Fixing plate for stirrer motor			1
9	2201700203	Stirrer assembly			1
10	2204400101	Gasket for stirrer cover			2
11	2201300101	Stirrer cover			1
12	219170020102	Left support for cavity			1
13	CM111MSL	Left Hand Micro-switch assembly	Micro Switch(2 terminals)	14401400101	1
14			Left rotating arm	1300300101	1
15			Left door switch base	1300200103	1
16	198010040101	Top Insulation cotton			1
17	2202000105	Top cover			1
18	117090010102	Fixing Plate left air passage			1
19	1171300101	Centrifugal fan(Left)			1
20	1170800103	Left Air Passage			1
21	220210010401	Front vent			1
22	14400100402	Magnetron			1
23	14401100101	Thermostat 155°C			1
24	2202100105	Rear vent			1
25	14400500102	Power board			1
26	14401600201	Filter board			1
27	14401100106	Thermostat 105°C			2
28	2203000103	Top Panel			1
29	2202100103	Side Air passage			1
30	1440020010201	Fan motor			1
31	1170900102	Fixing Plate right air passage			1
32	1171300102	Centrifugal fan(right)			1
33	1170800102	Right Air Passage			1
34	1121800107	Probe			1
35	14401300101	High-voltage fuse assembly			1
36	2202700101	High voltage capacitor fixing clip			1
37	14400900101	High voltage capacitor			1
38	14401000101	High-voltage diode			1
39	1440080010301	Transformer			1
40	2204500101	Inner Magnetic isolation plate			1



CM111GM

Caple Built-In Combination Microwave Gun Metal

Item	Part Number	Description	Additional Info	Additional Info	Qty
41	2204500102	Outer Magnetic isolation plate			1
42	219100050101	Rare panel			1
43	2205100102	Vent Cover			1
44	2205100101	Vent bottom			1
45	1440010010102	Top heater			1
46	1420500402	Circle heater			1
47	142090020501	Convection fan			1
48	1440110010401	Thermostat 125°C			1
49	2201800102	Fixing plate for fan motor			1
50	198010020101	Rear Insulation cotton			1
51	2201900103	Rear insulation cotton cover			1
52	2202800110	Right panel			1
53	219170020202	Right support for cavity			1
54	CM111MSR	Right Hand Micro-switch assembly	Micro Switch3 terminals)	14401400102	1
13			Micro Switch(2 terminals)	14401400101	1
55			Right rotating arm	1300300102	1
56			Right door switch base	1300200104	1
57	2191700203	Right support			1
58	2204200301	Bulb bracket			1
59	221210382007002	Bulb Holder			1
60	14400600101	Bulb			1
61	2204100106	Cavity assembly			1
62	1171100103	Ceramic Side shelves Holder	To S/N May 2022		4
62	221311377021004	Ceramic Side shelves Holder	From S/N May 2022		4
63	11603005001	Ceramic Plate			1
64	1170700205	Small Rack			1
65	2203400106	Bottom plate			1
66	SDACM111	Side Shelves assembly	Side Shelves	21151300609003	2
			Side shelves ring	With above	4
67	2201900102	Cover bottom isolation cotton			1
68	2205500102	Fixing plate for bottom heater			1
69	14400100201	Bottom heater			1
70	2191700204	Left support			1
71	2203700101	Inner hinge			2
72	1170700202	Big rack			1
73	219320020102	Inner Glass Assembly	Door decoration liner		1
	1170200103		Inner Glass		1
	1300100102		Outer PPS Seal frame		1
	1300400102		Door Seal		1
	1300100103		Inner PPS Seal frame		1



CM111GM

Caple Built-In Combination Microwave Gun Metal

Item	Part Number	Description	Additional Info	Additional Info	Qty
74	1171000107	Right door switch plug			1
75	1170500105	Door Hinge			2
76	1171900301	Glass Tray			1
77	GMD450MO	Door outer glass assembly	Door Outer Glass	11701KP003	1
			Gun Metal Door frame	219050020101	1
			Handle connector	220060010203	1
			Door glass connector	2122000301	2
78	220060010203	Handle(Black)			1
79	14401200108	Cable			1
80	1171000108	Left door switch plug			1
81	GMP450MO	Control Panel Glass Assembly	Control Panel Glass	1170300223	1
			GM control panel frame	2190200302	1
			Fixing plate for timer	1161100102	1
			Glass connector	1121000102	4
82	2200200104	Control panel bracket			1
83	1440040010901	Display			1
		Complete door			1