



CM110SS

Caple BI Combi Microwave 46cm Sense Stainless Steel

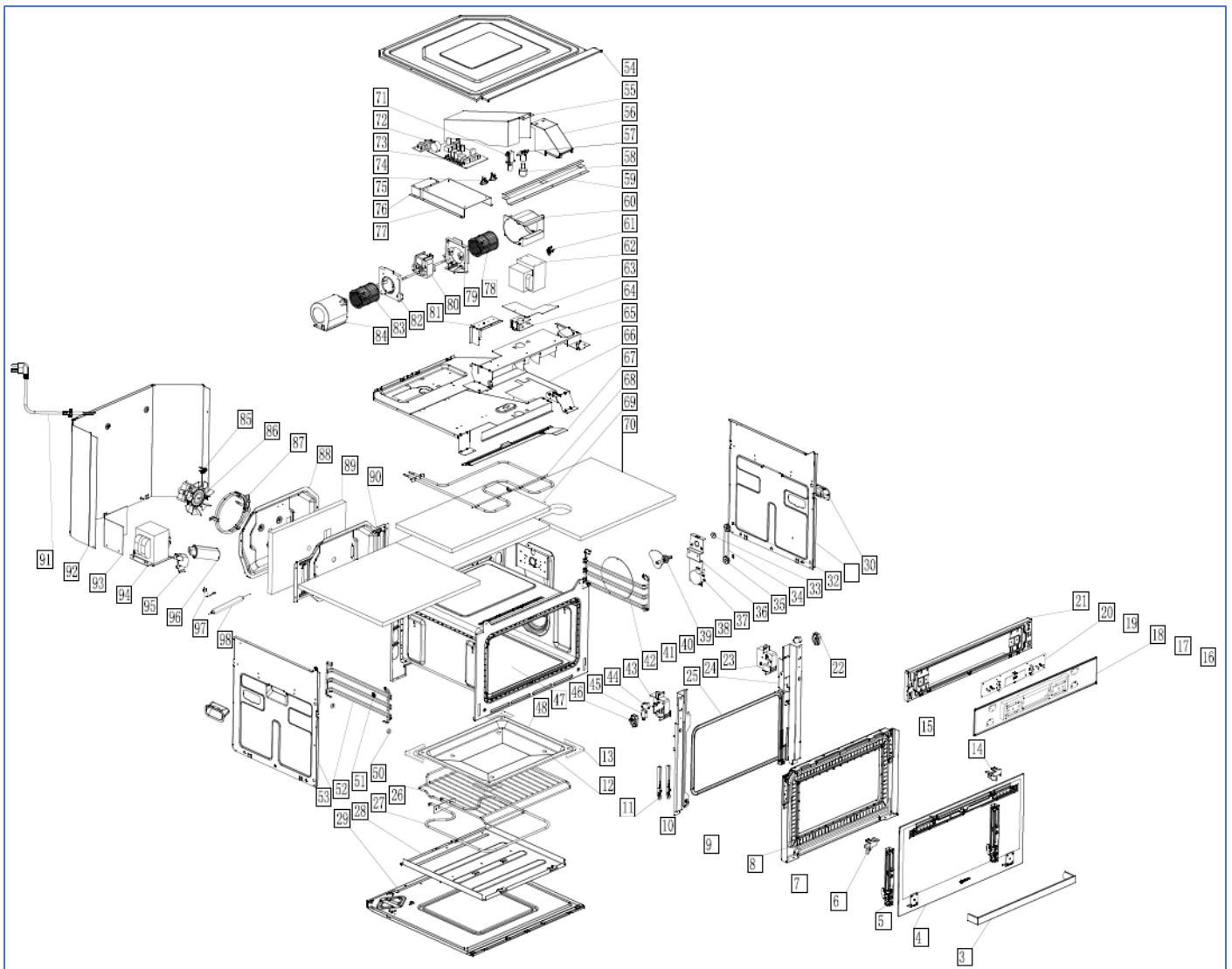


Technical Manual



CM110SS

Capele BI Combi Microwave 46cm Sense Stainless Steel





CM110SS

Caple BI Combi Microwave 46cm Sense Stainless Steel

Item	Part Number	Description	Additional Info	Quantity
3	112240031403	Black Handle		1
4	SSD450MO	Outer glass component	Tinted Outer glass	1
			Sense Steel frame	1
			Fixing plate for handle	1
			Connecticut plate for glass	2
5	1170500101	Door Hinge		2
6	1171000101	Left door switch plug		1
8	MB-302-A-116	Door decoration liner assembly	Door decoration liner	1
			Inner Glass	1
			PPS Seal frame	1
10	2200800103	Left support		1
11	2203700101	Inner hinge		2
13	1171000102	Right door switch plug		1
18	SSP450MO	Control panel component	Control panel glass	1
			Sense Steel frame	1
			Fixing plate for timer	1
20	1440040010901	Control board		1
21	2200200104	Control panel bracket		1
22	1300300102	Right rotating arm		1
23	1300200102	Right door switch base		1
24	2200800104	Right support		1
25	1300400101	Door seal		1
26	1170700202	Big rack		1
27	14400100201	Bottom heater		1
28	2203200101	Fixing plate for bottom heater		1
29	2203400101	Bottom plate		1
30	1320400101	Holder		2
31	2202800102	Right panel		1
32	2203500101	Wheel tablet for stirrer motor		1
33	1290700102	Gasket for stirrer motor		2
34	1300900101	Strap		1
35	1300800101	Pulley		2
36	2201600101	Fixing plate for stirrer motor		1
37	14400200101	Stirrer motor		1
39	2201700201	Stirrer assembly		1
42	2201300101	Stirrer cover		1



CM110SS

Caple BI Combi Microwave 46cm Sense Stainless Steel

Item	Part Number	Description	Additional Info	Quantity
43	1300200101	Left door switch base		1
44	14401400102	Micro Switch (3 terminals)		1
45	14401400101	Micro Switch (2 terminals)		2
46	1300300101	Left rotating arm		1
47	2204100102	Cavity assembly		1
48	220310010101	Tray		1
50	1300500101	Wheel for side shelves		4
51	CSCM110	Clip for side shelves		4
52	1170700103	Side shelves		2
53	2202800101	Left panel		1
54	2203000101	Top Panel		1
55	2202100102	Rare vent		1
56	2202100101	Front vent		1
57	1301100101	Bulb holder		1
58	14400600101	Bulb		1
59	2203300101	Electrical parts shield		1
60	1170800102	Right vent		1
61	14401100101	Thermostat 155°C		1
62	14400100401	Magnetron		1
63	2202400101	Cover plate for top panel		1
64	2202500101	Fixing plate for bulb		1
65	2202200101	Connecting plate of top panel		1
66	2202000101	Top cover		1
67	2202600101	Vent cover		1
68	1440010010101	Top heater		1
69	1980100101	Top Insulation cotton		1
70	1980100102	Top Insulation cotton 2		1
71	1470400101	Wax motor assembly		1
				1
72	14401600201	Filter board		1
73	14400500102	Power board		1
75	14401100102	Thermostat 140°C		2
76	2204200101	Fixing plate for filter board		1
77	2202500201	Fixing plate for power board		1
78	1171300102	Centrifugal fan Right		1



CM110SS

Caple BI Combi Microwave 46cm Sense Stainless Steel

Item	Part Number	Description	Additional Info	Quantity
79	1170900102	Fixing plate for right vent		1
80	14400200102	Fan motor		1
81	2202300101	Top panel cover		1
82	1170900101	Fixing plate for left vent		1
83	1171300101	Centrifugal fan Left		1
84	1170800101	Left vent		1
85	1440110010401	Thermostat 125°C		1
86	142090020501	Convection fan		1
87	1420500402	Circle heater		1
88	2201900101	Rare insulation cotton cover		1
89	1980100201	Rare Insulation cotton		1
90	2201800101	Fixing plate for fan motor		1
91	14401200108	Power cord		1
92	2202900101	Rare panel		1
93	MB-353-A	Magnetic isolation plate		1
94	14400800101	Transformer		1
95	2202700101	High voltage capacitor fixing clip		1
96	14400900101	High voltage capacitor		1
97	14401000101	High-voltage diode		1
98	1440130010	High-voltage fuse assembly		1

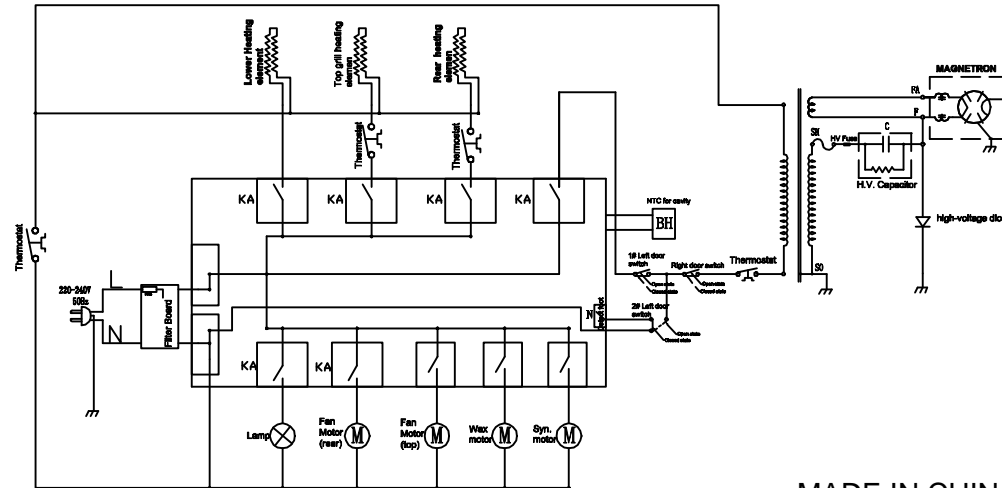
NCDC110SS Complete door

11603005001 Ceramic plate

115

67

Combination Microwave Oven Schematic ( CM110SS )



MADE IN CHINA