



CM110GM

Caple Built In Combination Microwave Gunmetal

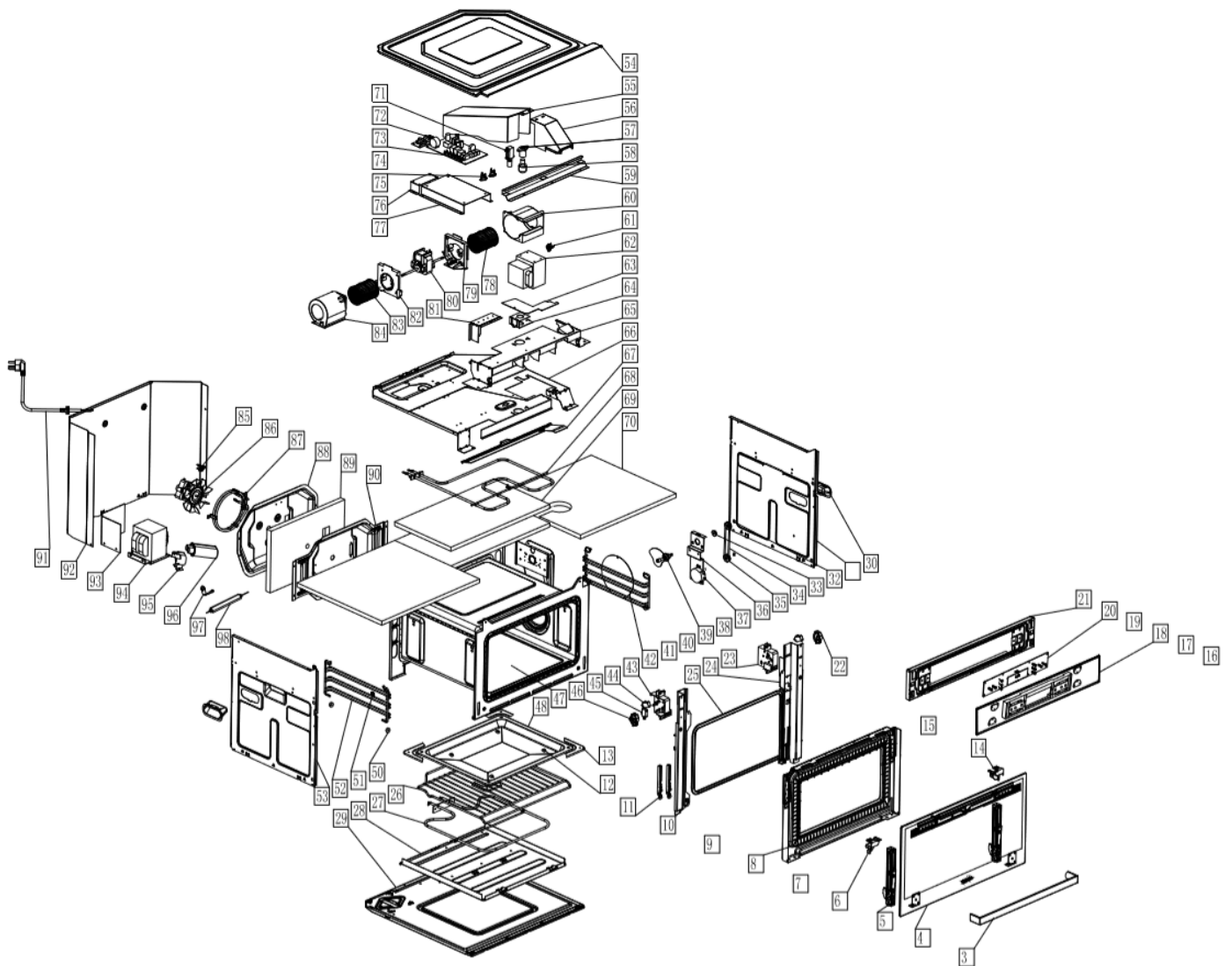


Technical Manual



CM110GM

Caple Built In Combination Microwave Gunmetal





CM110GM

Caple Built In Combination Microwave Gunmetal

Item	Part Number	Description		Additional Info	Quantity
3	112240031403	Black Handle			1
4	GMD450MO	Outer glass component	4	Tinted Outer glass	1
				Gunmetal frame	1
			12	Fixing plate for handle	1
				Connecticut plate for glass	2
5	1170500101	Door Hinge			2
6	1171000101	Left door switch plug			1
8	MB-302-A-116	Door decoration liner assembly		Door decoration liner	1
				Inner Glass	1
				PPS Seal frame	1
10	2200800103	left support			1
11	2203700101	Inner hinge			2
13	1171000102	Right door switch plug			1
18	GMP450MO	Control panel component	16	Control panel glass	1
			17	Gunmetal frame	1
			18	Fixing plate for timer	1
20	1440040010901	Control board			1
21	2200200104	Control panel bracket			1
22	1300300102	Right rotating arm			1
23	1300200102	Right door switch base			1
24	2200800104	Right support			1
25	1300400101	Door seal			1
26	1170700202	Big rack			1
27	14400100201	Bottom heater			1
28	2203200101	Fixing plate for bottom heater			1
29	2203400101	Bottom plate			1
30	1320400101	Holder			2
31	2202800102	Right panel			1
32	2203500101	wheel tablet for stirrer motor			1
33	1290700102	Gasket for stirrer motor			2
34	1300900101	Strap			1
35	1300800101	Pulley			2
36	2201600101	Fixing plate for stirrer motor			1
37	14400200101	stirrer motor			1
39	2201700201	stirrer assembly			1
42	2201300101	stirrer cover			1



CM110GM

Caple Built In Combination Microwave Gunmetal

Item	Part Number	Description	Additional Info	Quantity
43	1300200101	Left door switch base		1
44	14401400102	Micro Switch(3 terminals)		1
45	14401400101	Micro Switch(2 terminals)		2
46	1300300101	Left rotating arm		1
47	2204100102	Cavity assembly		1
48	220310010101	Tray		1
50	1300500101	Wheel for side shelves		4
51	CSCM110	Clip for side shelves		4
52	1170700103	Side shelves		2
53	2202800101	Left panel		1
54	2203000101	Top Panel		1
55	2202100102	Rare vent		1
56	2202100101	Front vent		1
57	1301100101	Bulb holder		1
58	14400600101	bulb		1
59	2203300101	Electrical parts shield		1
60	1170800102	Right vent		1
61	14401100101	Thermostat 155°C		1
62	14400100401	Magnetron		1
63	2202400101	cover plate for top panel		1
64	2202500101	Fixing plate for bulb		1
65	2202200101	Connecting plate of top panel		1
66	2202000101	Top cover		1
67	2202600101	vent cover		1
68	1440010010101	Top heater		1
69	1980100101	Top Insulation cotton		1
70	1980100102	Top Insulation cotton 2		1
71	1470400101	Wax motor assembly		1
72	14401600201	filter board		1
73	14400500102	Power board		1
75	14401100102	Thermostat 140°C		2
76	2204200101	Fixing plate for filter board		1
77	2202500201	Fixing plate for power board		1
78	1171300102	Centrifugal fan Right		1
79	1170900102	fixing plate for right vent		1
80	14400200102	fan motor		1
81	2202300101	top panel cover		1



CM110GM

Caple Built In Combination Microwave Gunmetal

Item	Part Number	Description	Additional Info	Quantity
82	1170900101	fixing plate for left vent		1
83	1171300101	Centrifugal fan Left		1
84	1170800101	left vent		1
85	1440110010401	Thermostat 125°C		1
86	142090020501	convection fan		1
87	1420500402	circle heater		1
88	2201900101	rare insulation cotton cover		1
89	1980100201	Rare Insulation cotton		1
90	2201800101	Fixing plate for fan motor		1
91	14401200108	Power cord		1
92	2202900101	Rare panel		1
93	MB-353-A	Magnetic isolation plate		1
94	14400800101	transformer		1
95	2202700101	High voltage capacitor fixing clip		1
96	14400900101	High voltage capacitor		1
97	14401000101	High-voltage diode		1
98	1440130010	High-voltage fuse assembly		1

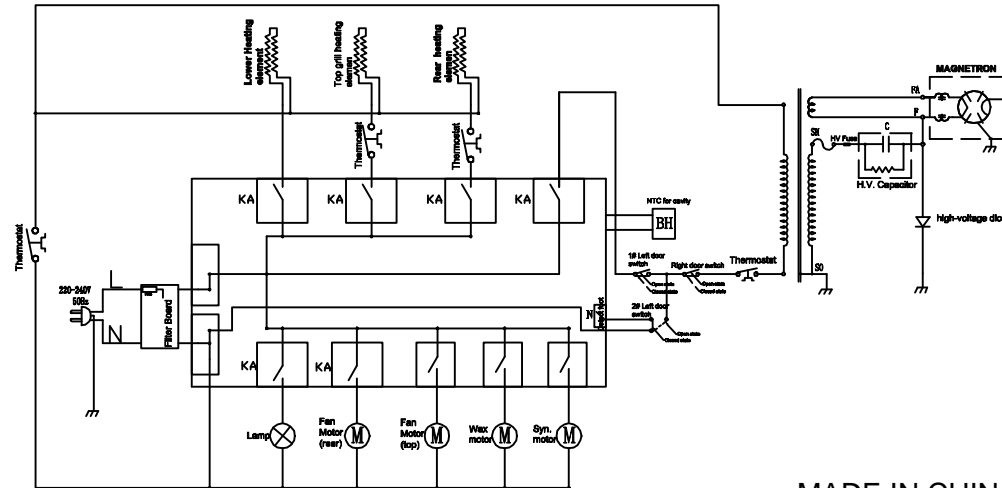
NCDC110GM Complete door code

11603005001 Ceramic plate

115

67

Combination Microwave Oven Schematic ( CM110GM )



MADE IN CHINA