

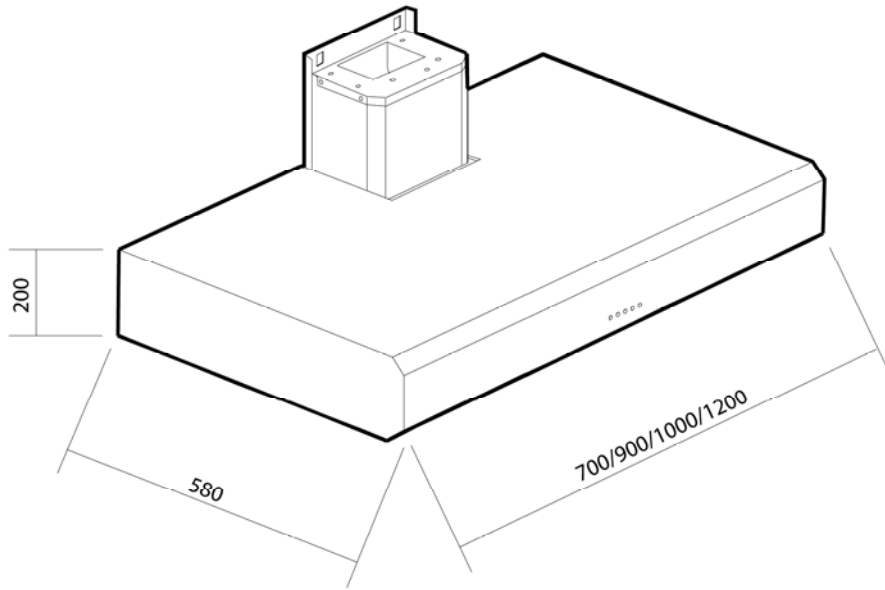
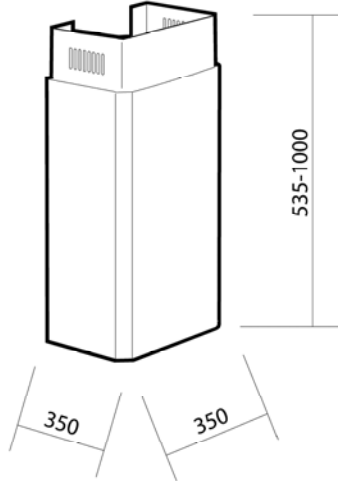


# GC100SS

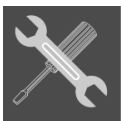
Gastron 100cm stainless steel hood



# INSTRUCTION MANUAL



1. Warnings for safety and use	14
2. General information	15
2.1 Servicing and assistance	15
3. Installation	16
3.1 Electric connection	18
4. Description of the hood	19
5. Description of controls	20
5.1 Control panel	20
6. Cleaning and maintenance	21
6.1 Cleaning stainless steel surfaces	21
6.2 Cleaning the metallic greaseproof filter	21
6.3 Replacing bulbs	22

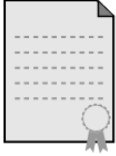


**INSTRUCTIONS FOR THE INSTALLER:** these instructions are intended for the **qualified installer** in charge of installation and appliance commissioning.



**INSTRUCTIONS FOR THE USER:** include suggestions, the description of the controls and the correct cleaning and maintenance operations for the appliance.

## 1. Warnings for safety and use



THE PRESENT MANUAL IS INTEGRAL WITH THE APPLIANCE AND MUST HENCE BE PROPERLY MAINTAINED INTACT AND ALWAYS KEPT WITHIN EASY REACH THROUGHOUT APPLIANCE WORK LIFE. BEFORE USING THE SUCTION APPLIANCE, WE RECOMMEND READING THIS MANUAL AND ALL THE INDICATIONS IT CONTAINS THOROUGHLY. **INSTALLATION IS TO BE CARRIED OUT SOLELY BY QUALIFIED PERSONS ACCORDING TO PREVAILING STANDARDS.** APPLIANCES HEREUNDER ARE INTENDED SOLELY FOR DOMESTIC USE AND ARE BUILT IN COMPLIANCE WITH PREVAILING **E.E.C. AND E.U. DIRECTIVES.** **THE MANUFACTURER SHALL NOT BE HELD RESPONSIBLE FOR ANY ACCIDENT THAT MAY BE CAUSED BECAUSE OF IMPROPER USE.**



DO NOT LEAVE ANY PIECES OF THE PACKAGING UNATTENDED IN THE HOME. SEPARATE THE VARIOUS PACKAGING MATERIALS AND DELIVER THEM TO THE NEAREST RECYCLING CENTRE.



THE EARTH CONNECTION IS OBLIGATORY CONFORMING TO THE MODALITIES ENVISAGED BY THE SAFETY STANDARDS OF THE ELECTRICAL WIRING SYSTEM.



THE PLUG TO BE CONNECTED TO THE POWER SUPPLY CABLE AND THE RELATIVE SOCKET MUST BE THE SAME TYPE AND MUST COMPLY WITH CURRENT STANDARDS. AFTER INSTALLING THE APPLIANCE MAKE SURE THAT THE PLUG IS ACCESSIBLE TO ALLOW THE PERIODICAL CHECK-UP.  
**DO NOT PULL OUT THE PLUG BY PULLING THE CABLE.**



IMMEDIATELY AFTER INSTALLATION, TEST THE APPLIANCE BRIEFLY BY FOLLOWING THE INSTRUCTIONS SHOWN BELOW. IN THE EVENT OF A MALFUNCTION, DISCONNECT THE APPLIANCE FROM THE MAINS AND CONTACT YOUR NEAREST TECHNICAL SERVICE CENTRE.  
**DO NOT ATTEMPT TO REPAIR THE APPLIANCE.**

THE IDENTIFICATION PLATE, WITH THE TECHNICAL DATA, SERIAL NUMBER AND MARKING, CAN BE FOUND INSIDE THE APPLIANCE.

**THE PLATE MUST NEVER BE REMOVED.**




**THE APPLIANCE IS INTENDED FOR USE SOLELY BY ADULTS.** NEVER ALLOW CHILDREN TO COME NEAR THE APPLIANCE OR TO PLAY WITH THEM. BE CAREFUL NOT TO LEAVE OBJECTS ON THE APPLIANCE THAT MAY ATTRACT CHILDREN'S ATTENTION. ALWAYS KEEP CHILDREN AT A SAFE DISTANCE FROM THE APPLIANCE. THE APPLIANCE IS NOT INTENDED FOR USE BY YOUNG CHILDREN OR INFIRM PERSONS WITHOUT SUPERVISION.



THIS APPLIANCE IS MARKED ACCORDING TO THE **EUROPEAN DIRECTIVE 2002/96/EC** ON WASTE ELECTRICAL AND ELECTRONIC EQUIPMENT (**WEEE**).

BY ENSURING THIS PRODUCT IS DISPOSED OF CORRECTLY, YOU WILL HELP PREVENT POTENTIAL NEGATIVE CONSEQUENCES FOR THE ENVIRONMENT AND HUMAN HEALTH, WHICH COULD OTHERWISE BE CAUSED BY INAPPROPRIATE WASTE HANDLING OF THIS PRODUCT.

THE SYMBOL  ON THE PRODUCT, OR ON THE DOCUMENTS ACCOMPANYING THE PRODUCT, INDICATES THAT THIS APPLIANCE MAY NOT BE TREATED AS HOUSEHOLD WASTE. INSTEAD IT SHALL BE HANDED OVER TO THE APPLICABLE COLLECTION POINT FOR THE RECYCLING OF ELECTRICAL AND ELECTRONIC EQUIPMENT. DISPOSAL MUST BE CARRIED OUT IN ACCORDANCE WITH LOCAL ENVIRONMENTAL REGULATIONS FOR WASTE DISPOSAL. FOR MORE DETAILED INFORMATION ABOUT TREATMENT, RECOVERY AND RECYCLING OF THIS PRODUCT, PLEASE CONTACT YOUR LOCAL CITY OFFICE, YOUR HOUSEHOLD WASTE DISPOSAL SERVICE OR THE SHOP WHERE YOU PURCHASED THE PRODUCT.



***The manufacturer shall not be held responsible for any injury or damage that may be caused by failure to fully comply with the aforementioned instructions and recommendations or by tampering with the appliance components or the use of non-original spares.***

## 2. General information

*This user's manual is an integral part of the product purchased. The user must conserve the manual correctly so that it is always available for consultation during the use and maintenance of the product. Keep this user's manual for future reference. If the product is resold, the manual must be transferred to any subsequent owner or user of the product.*

This product conforms to the requirements of the following European directives:

- **73/23/EEC** for "Low Voltage".
- **89/336/EEC** for "Electromagnetic Disturbance".

The above mentioned directives also conform to **Machine directive 98/37/EC**.

The hood is fitted with a motor with adjustable speed. To obtain the best efficiency, we recommend using the low speeds in normal conditions and the high speeds with a high concentration of odours and steam.

It is advisable to switch on the hood a few minutes before cooking and to leave it on after cooking has finished, until all odours have disappeared.



**Cooking food on a flame under the hood is strictly forbidden.**

*Using naked flame damages the filters and may cause a fire, therefore it should be avoided.*

**Always watch over the pan when frying to prevent overheated oil from catching fire.**

### 2.1 Servicing and assistance



*All outgoing appliances undergo rigorous factory testing and inspection by expert and specialised personnel and are hence guaranteed in perfect operating conditions. Any subsequent repairs or adjustments must be performed with utmost care and attention. In such an event please contact the dealer from which the appliance was purchased or our servicing centre nearest to you specifying the problem encountered and the model of the appliance.*



### 3. Installation



**Only qualified installers are authorised to carry out the operations described below. The professional installer is responsible for appliance commissioning in accordance with prevailing standards and requirements under law. Always remember to remove plastic protections before using the appliance.**

**The manufacturer declines any responsibility for damage incurred by persons, animals or objects that is caused by not following the above guidelines (Refer to “1. Warnings for safety and use”).**



**Switch off the power supply to the appliance before starting the installation.**



*The hood is provided with an upper air outlet **B** for discharging the fumes outside (**suction version**; venting pipe and clamps not supplied). In the event it is not possible to discharge cooking fumes and steam outside, the **filtering version** of the hood can be used; the fumes and steam are recycled in the kitchen.*

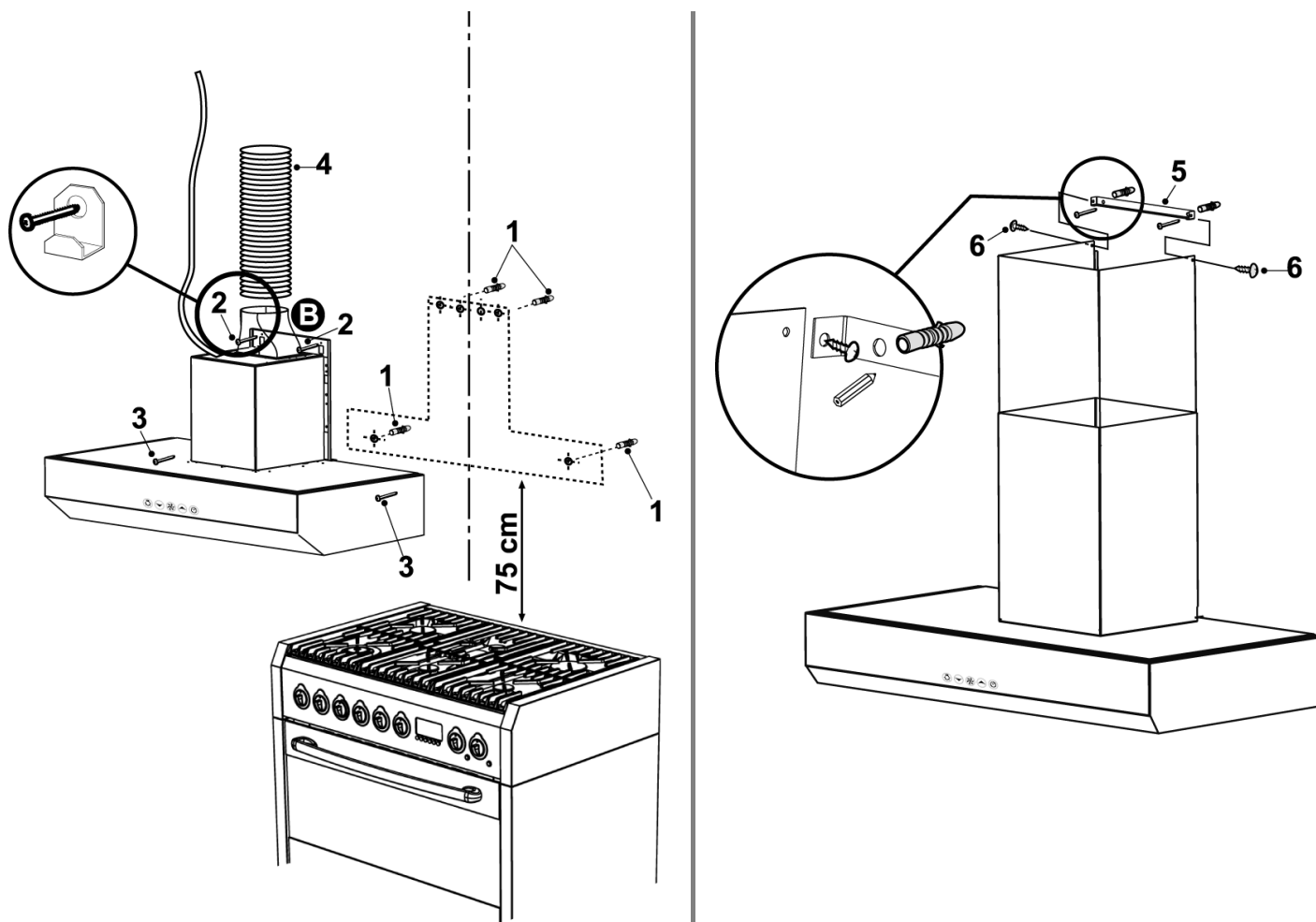
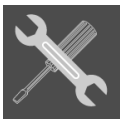


*The hood is fitted with fastening dowels suitable for most walls/ceilings. A qualified technician should however be called to ensure the materials are suitable for your wall/ceiling. The wall/ceiling must be strong enough to withstand the weight of the hood.*

- Remove the grease filter(s).
  - When installed, the lower side of the hood should be at least **75 cm** away from the hob.
1. Drill six holes (**Ø 8 mm**), insert 6 dowels and tighten only the 2 central hook dowels at the top.
  2. Hang the hood onto the 2 upper hooks.
  3. Fasten the hood to the wall definitively using the 4 remaining dowels, previously inserted into the wall, with 4 screws (**compulsory**).
  4. Connect a venting pipe (**150 mm**) to the connection ring above the suction motor unit.
 

**PLEASE NOTE:** Venting pipe and clamps are not supplied with hood.

    - When using the **suction version** of the hood, the other end of the venting pipe must be connected to a device that extracts fumes to the outside.
    - Connect the electrics.
    - Rest the lower section of the stack onto the top of the hood that covers the suction motor compartment and fit it into its housing.
    - Insert the upper section of the stack into the lower section and check that the sides with the holes face upwards.
  5. Fasten the upper bracket close to the ceiling (use the bracket as a drilling plan), pencil in two holes, drill the holes (**Ø 8 mm**) and insert 2 wall dowels. Fasten the upper bracket with 2 screws **5x45 mm**.
  6. Fasten the upper section of the stack to the bracket with 2 screws (one on each side).
    - Refit the grease filter(s) and check the hood is in good working order.



**Never use the hood if the filter is not correctly fitted!**



The sucked out air must not be conveyed into a duct used for discharging the fumes from devices powered with energy other than electricity. The room must always be adequately aired when a hood and devices powered with energy other than electricity are used at the same time.

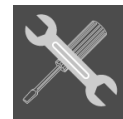
Always adhere closely to the guidelines set out by the competent local authorities for the technical and safety measures to adopt for discharging fumes.

Cooking fumes and steam are expelled through a venting pipe that is fastened to the connection ring above the hood. The venting pipe must have exactly the same diameter as the connection ring.

In horizontal sections, the pipe must be slightly tilted upwards (**approx. 10%**) to allow the air to be easily conveyed outside the room.



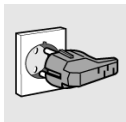
**Always keep closely to the instructions given in this manual. No responsibility is accepted for any problems, damage or fire caused to the appliance due to failure to observe the instructions given in this manual.**



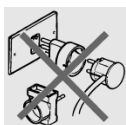
### 3.1 *Electric connection*



Prepare an omni-polar cutoff device on the power supply line of the appliance with a contact opening distance equal to or more than **3 mm**, located in a convenient position near the appliance.



The plug at the end of the power supply cable and the wall socket must be the same type and must comply with current electric standards. Check that the mains is adequately earthed. Once the appliance has been installed make sure that the plug is accessible to allow the periodical check-up.



**Do not use reducers, adapters or shunts.**

Before making any connection, make sure that the mains voltage corresponds to the voltage shown on the specifications label inside the appliance. It is essential to have a qualified technician make the electric connection.

**The plate must never be removed.**

Make sure that the circuit breaker and the home wiring system are able to withstand the appliance load.

**The yellow/green earth cable must not be subject to cutoffs.**

The electric cable must not come into contact with parts whose temperature is more than **50°C** higher than room temperature.

#### 3.1.1 **Appliance fitted with plug**

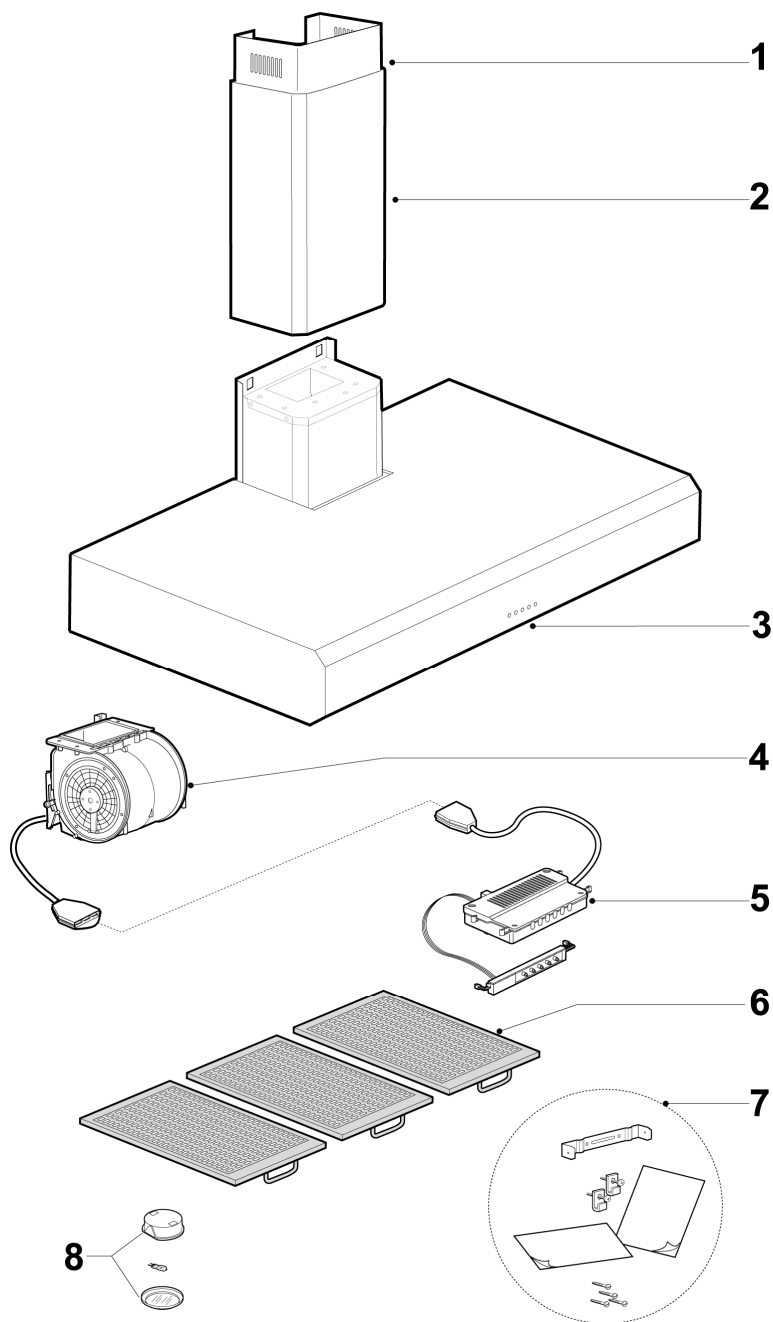
If you wish to connect the appliance directly to the mains, unplug it and fit a standard double-pole switch with the break contacts at a distance of no less than **3 mm**. If the plug, once plugged into the socket, is not in an accessible position, a standard double-pole switch should nevertheless be fitted with the break contacts at a distance of no less than **3 mm**.

#### 3.1.2 **Appliance without plug**

Fit a standard plug or a standard double-pole switch with the break contacts at a distance of no less than **3 mm**.



## 4. Description of the hood



1	Telescopic stack
2	Stack
3	Hood structure
4	Motor
5	Control panel
6	Metallic greaseproof filters
7	Installation kit
8	Halogen light



## 5. Description of controls

### 5.1 Control panel



#### 5.1.1 Manual mode




**LIGHT BUTTON:** press this button to switch on the lights and the LED inside the button turns **blue**.



**SPEED REDUCTION BUTTON:** press this button to reduce the speed of the motor and the LED inside the button turns **green**. When the speed is on minimum, the LED begins to flash.



**ON/OFF BUTTON:** press this button to switch on the motor and the hood begins to operate at the last speed with which it was used. The LED inside the button turns **green**.

After approximately **40 consecutive operating hours**, the LED flashes to advise that the filters must be cleaned. To stop the flashing press and hold down the button  for a few seconds or switch off the power supply. **This operation resets the count of the 40 consecutive operating hours and the LED turns green.**



**SPEED INCREASE BUTTON:** press this button to increase the speed of the motor and the LED inside the button turns **green**. When the speed reaches maximum level, the LED begins to flash.



**TIMER:** on pressing this button, the hood continues to operate automatically for **5 minutes** approximately at the requested speed, after which it switches off completely. When in operation, the LED inside the button is **orange**.


#### 5.1.2 Automatic mode



*This mode is recommended for intensive use of the hood (two or three burners on). Otherwise, with just one burner on, the manual mode is recommended.*

In automatic mode, the motor speeds are activated automatically by a heat sensor positioned inside the hood.

To start the automatic mode, press the speed increase and speed reduction buttons at the same time. The **three central green LEDs** begin alternately to flash and after approximately thirty seconds the **orange LED** switches on.

The hood starts in automatic mode and the heat sensor automatically adjusts the speed of the motor to the temperature produced by the burners. To return to manual mode, press the button .



*The correct operation of the **heat sensor** depends on the distance between the hob and the suction surface of the hood: the higher the hood is positioned, the more difficult it will be for the sensor to identify the temperature.*



## 6. Cleaning and maintenance



Switch off the power supply to the appliance before starting the installation. This operation resets the count of the 40 consecutive operating hours and the ON/OFF LED turns green.



Do not clean the surfaces of the appliance when they are still hot. Do not use pressure or steam spray guns to clean the appliance.

Failure to clean the hood and replace and clean the filters as described generates a fire hazard. Please keep to the instructions given.

### 6.1 Cleaning stainless steel surfaces

To clean and preserve the stainless steel surfaces and remove the toughest stains, always use specific products, provided **they do not contain chlorine-based abrasives or acid substances**, or a little warm vinegar.

Pour the product onto a damp cloth and wipe the steel surface. Rinse carefully and dry with a soft cloth or a piece of deerskin.


**Do not under any circumstances use metallic sponges, sharp scrapers, steel wool or rough sponges. They will damage the surfaces. Use scratchproof, non-abrasive sponges only.**

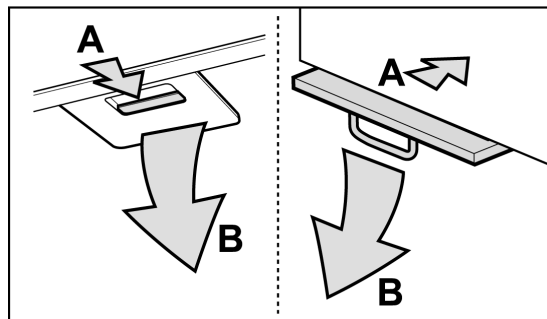
To clean **glossed** stainless steel parts, wipe the cloth in the direction of the glossing.

### 6.2 Cleaning the metallic greaseproof filter

- To disassemble the metallic greaseproof filter, use the special spring-release handles by pulling them first back (A) and then downwards (B).
- After cleaning the metallic greaseproof filters, leave to dry and follow the above instructions in reverse order to refit them.

**Take care not to damage the filters while refitting them.**

At the end of this operation, the count of the **40 consecutive operating hours** must be reset **by pushing the button**  for a few seconds or by switching off the power supply.



The metallic greaseproof filter has unlimited duration and must only be cleaned by hand or in the dishwasher (65°C), with suitable detergents. When cleaning in the dishwasher, the metallic greaseproof filter may become discoloured but its filtering characteristics are unchanged.

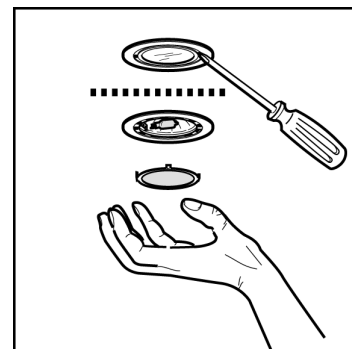
**The metallic greaseproof filters must be washed at least once a month.**



### 6.3 Replacing bulbs

Proceed as follows:

- prise up the protection using a small flat-head screwdriver or similar tool;
- replace the damaged bulb. Use only halogen lights **max 20W (G4)**, taking care not to touch them with the hands;
- close the light cover (snap shut).



***If the lights do not work, check the bulbs are correctly inserted into their housings before calling a technician.***