



CR9206AN

Culina 90cm Range Anthracite



TECHNICAL INFORMATION



CR9206AN - Culina 90cm Range Anthracite

New product information sheet

Product name: CR9206AN

Description: Dual fuel double cavity range cooker

Product code: CR9206AN

Width 900mm
Anthracite

Main oven features

8 Functions:

- *light*
- *conventional heat*
- *fan heat*
- *turbo base heat*
- *full grill*
- *eco grill*
- *turbo grill*
- *turbo defrost*

51 litre capacity

Programmable electronic timer

Small oven features

4 Functions:

- *light*
- *top heat*
- *base heat*
- *rotisserie grill*

31 litre capacity

Hob features

5 Gas burners:

- *1 triple ring wok burner*
- *1 rapid burner*
- *2 semi-rapid burners*
- *1 simmer burner*

Cast iron pan supports





CR9206AN - Culina 90cm Range Anthracite

New product information sheet

Product name: CR9206AN

Description: Dual fuel double cavity range cooker

Product code: CR9206AN

Auto electronic ignition

General features

Dual fuel

Flame safety device

Triple glazed doors with heat reflective glass

Full width sealed inner door glass

Tangential cooling fan

Closed door grilling

Full width storage drawer

Height adjustable stainless steel legs

LPG jets included

Accessories

2 Shelves with support racks in main oven

1 Shelf with support racks in small oven

2 Grill pans with handle

2 Enamelled baking trays

1 Rotisserie rack

Electronic connection

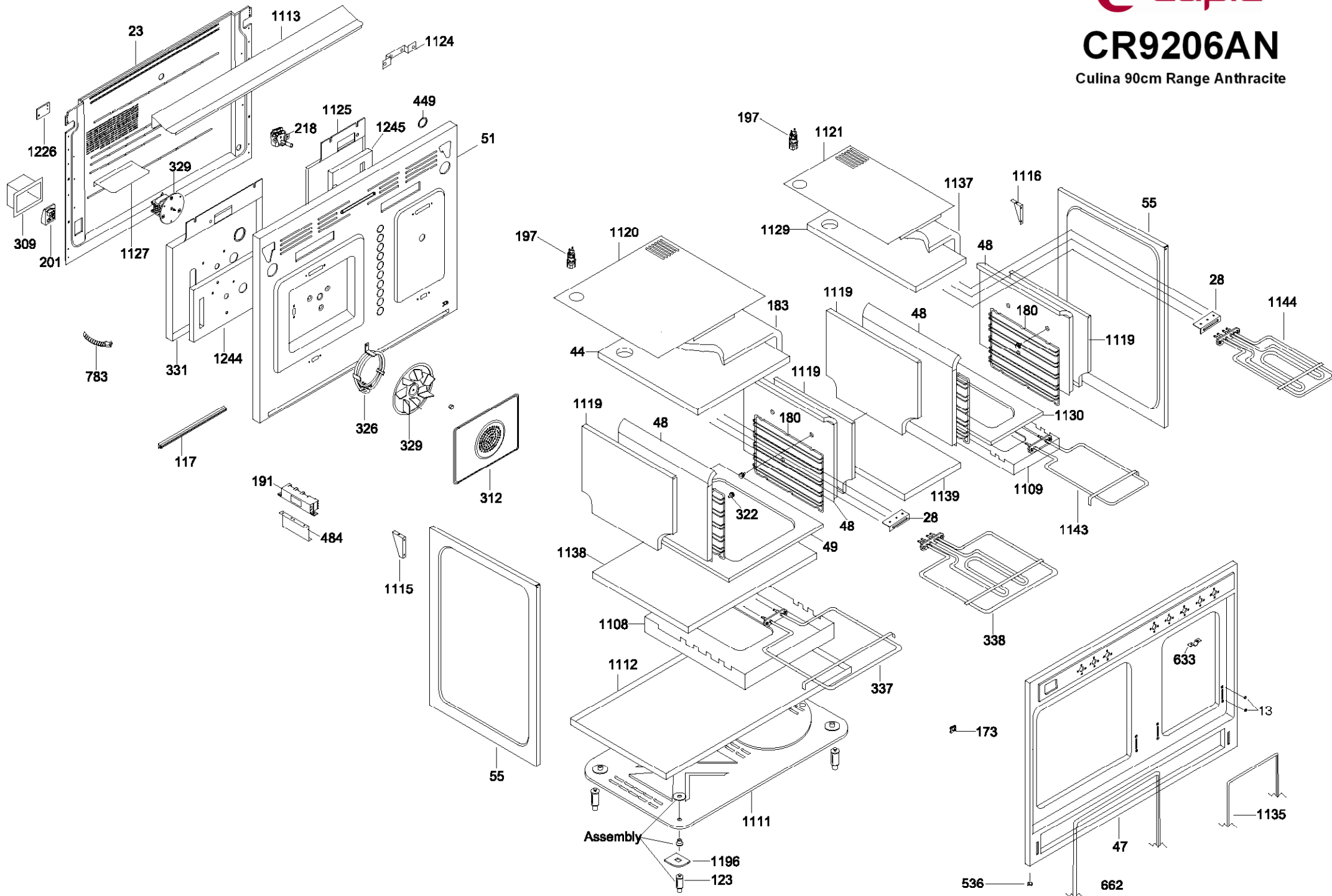
Rated load 3.80kW

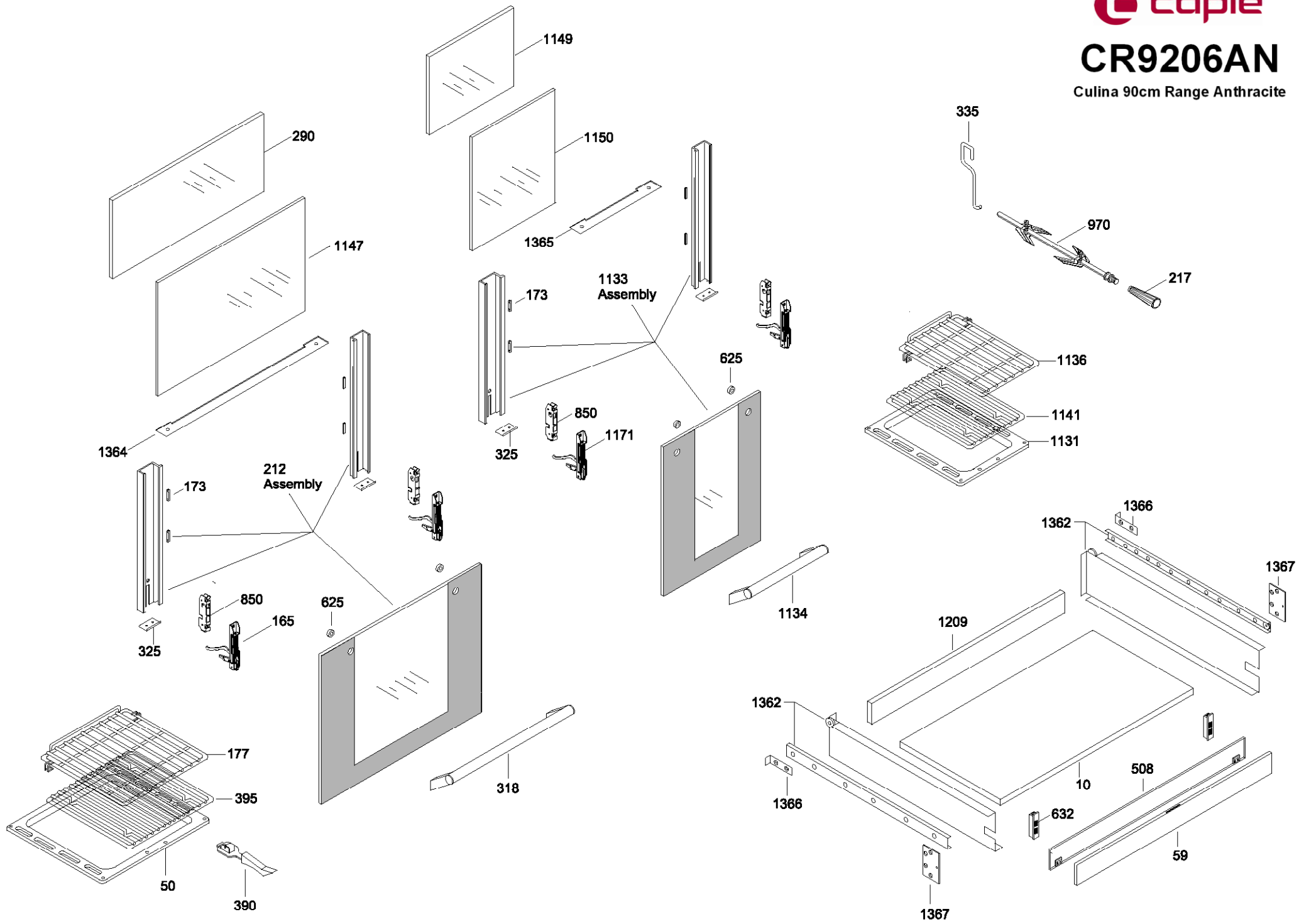
Fuse rating 25A

Optional extras

Cast iron griddle CAPGRID1

Telescopic shelf runners CAPRACK3







CR9206AN - Culina 90cm Range Anthracite

Item	CODE	DESCRIPTION	Quantity
00010	601414	DRAWER BOTTOM	1
00013	505171	BLACK ZINC-PL.UNDER-SCREW SV53	8
00023	072877	EXTERNAL REAR WALL	1
00028	071126	UPPER/GRILL HEAT.ELEMENT SUPPORT	2
00044	112979	BIG OVEN UPPER WALL-BLACK-	1
00047	112676	COOKER FACE -BLACK-	1
00048	113471	SIDE	4
00049	113421	BIG OVEN BOTTOM -BLACK-	1
00050	113752	BIG OVEN DRIP-TRAY	1
00051	113738	OVEN REAR WALL	1
00055	176266	ANTHRACITE RIGHT/LEFT SIDE	2
00057	276040	HOB	1
00059	175367	DRAWER DOOR	1
00086	372001	MANIFOLD	1
00117	400334	FACIA-PANEL GASKET	1
00118	404902	GAS KNOB	8
00123	404194	LEG	4
00124	400688	ELBOW WASHER	2
00129	414135	SABAF RAPID BURNER CUP	1
00130	414134	SABAF SEMI-RAPID BURNER CUP	2
00135	424079	1/2 CONICAL ELBOW	1
00144	410823	PLUG FOR ELBOW	1
00149	424814	TAP	1
00150	424811	TAP	1
00151	424806	TAP	2
00158	440405	AUXILIARY BURNER FLAME-SPREADER	1
00160	440403	RAPID BURNER FLAME-SPREADER	1
00161	440404	S.RAPID BURNER FLAME-SPREADER	2
00165	431163	OVEN DOOR HINGE	2
00169	440438	CENT.HOB GRID TC190CAST IRON STEEL	1
00173	500458	DOUBLE CLIP	6
00173	601395	SPRING FOR DOUBLE GLASS	4
00173	601395	SPRING FOR DOUBLE GLASS	4
00173	601395	SPRING FOR DOUBLE GLASS	4
00173	601395	SPRING FOR DOUBLE GLASS	4
00177	451402	BIG OVEN WIRE GRID	2
00180	451391	LATERAL SUPPORTS FOR GRIDS	4
00183	471128	WHITE GLASS WOOL (BIG OVEN)	1
00187	481733	MULTIFUNCTIONAL COMMUTATOR	1
00191	482500	IGNITER	1
00197	482808	LAMP+LAMP-HOLDER	2
00201	481913	OVEN TERMINAL BOARD	1
00201	780124	TERMINAL BOX+CABLE GROUP	1
00212	655490	FRAME+BIG DOOR GLASS GROUP	1
00217	521042	SPIT HANDLE	1
00218	521054	TURNSPIT MOTOR	1
00289	424807	TAP	1
00290	494148	DOUBLE GLASS	1
00309	072878	TERMINAL BOX SUPPORT	1
00312	113363	OVEN FAN COVER	1
00317	072285	SUPPORT FOR CLOCK	1
00318	361483	BIG DOOR HANDLE	1
00322	411213	FIX.ELEMENT FOR LATERAL OVEN GRIDS	12
00325	113851	LOWER CLOSING FOR LATERAL SUPPORTS	2



CR9206AN - Culina 90cm Range Anthracite

Item	CODE	DESCRIPTION	Quantity
00325	113851	LOWER CLOSING FOR LATERAL SUPPORTS	2
00326	482757	CIRCULAR HEATING ELEMENT 2100W	1
00329	521073	FAN MOTOR	1
00330	601308	ELECTRONIC TIMER	1
00331	072334	REAR WALL FOR MOTORS SUPP.-BIG OVEN	1
00335	451143	TURNSPIT ROD SUPPORT	1
00337	482756	LOWER HEATING ELEMENT	1
00338	482738	UPPER/GRILL HEATING ELEMENT	1
00343	440439	HOB GRID190RIG./LEF(CAST IRON)STEEL	2
00345	482077	TR.CROWN BURNER SPARK PLUG (L=900)	1
00376	414211	TRIPLE CROWN BURNER CUP	1
00381	482119	THERMOSTAT	1
00390	401764	DRIP-TRAY HANDLE	1
00393	175370	CONTROL PANEL	1
00395	451257	WIRE GRID	1
00449	401520	COVERING RING FOR FACIA-PANEL HOLE	2
00468	405540	ELECTR.PROGRAMMER KNOB	6
00482	601152	OVEN SAFETY DEV.LOCKING SPRING	6
00484	073038	LEFT/RIGHT REAR BODY SUPPORT	1
00505	482120	THERMOSTAT	1
00508	073474	DRAWER COUNTERDOOR	1
00529	332664	TC BURNER CONNECTING TUBE	1
00536	505047	WASHER FOR OVEN DOOR REINFORC.	6
00548	482544	COOLING FAN	1
00554	424322	SAFETY VALVE FOR TRIPLE CROWN BUR.	1
00593	482362	THERMO SWITCH 70	2
00606	482438	THERMO SWITCH 10-16A	2
00625	401800	SPACER FOR GLASS/TUBULAR HANDLE	2
00625	401800	SPACER FOR GLASS/TUBULAR HANDLE	2
00632	601251	MAGNET FOR DRAWER	2
00633	271198	STEEL CABLE LOCK	1
00662	405736	MAIN OVEN GASKET	1
00744	601229	CLAMP.SPRING FOR TC IGN.SPARK PLUG	5
00775	440400	TR.CROWN BURNER FLAME-SPREADER(EXT)	1
00783	481593	STRIP FOR WIRE LOCK	1
00786	440401	TR.CROWN BURNER FLAME-SPREADER(CEN)	1
00811	482326	WARNING LIGHT	2
00834	414210	TRIPLE CROWN BURNER BODY (NAT.)1,28	1
00836	414121	SABAF S.RAPID BURNER BODY (NATURAL)	1
00836	414121	SABAF S.RAPID BURNER BODY (NATURAL)	1
00837	414212	RAPID BURNER BODY (NAT.) 1,15	1
00838	414136	SABAF AUXILIARY BURNER CUP	1
00850	431113	HINGE ROLLER	4
00858	414123	SABAF AUXILIARY BURNER BODY (NAT.)	1
00875	332534	AUXILIARY BURNER CONN.TUBE	1
00876	332575	FRONT LEFT BURNER CONN.TUBE	1
00897	332533	REAR RIGHT BURNER CONN.TUBE	1
00903	072774	LATERAL SUPPORT FOR RIGHT AUX/SR B.	1
00914	423411	CHECK POINT	1
00919	481972	IGNITION SPARK PLUG FOR SABAF BURN.	2
00920	482078	LEFT BURNER IGN.SPARK PLUG (L=900)	2
00935	332532	REAR LEFT BURNER CONN.TUBE	1
00970	521048	SPIT 154 NF	1
01021	402922	GASKET FOR TANGENTIAL FAN	1

CR9206AN - Culina 90cm Range Anthracite

Item	CODE	DESCRIPTION	Quantity
01025	506244	ZINC-PLATED SCREW M4 X 16	5
01046	424006	REAR SAFETY DEVICE FOR S.RAPID BUR.	2
01046	424101	RIGHT/LEFT REAR SAFETY VALVE	1
01047	424007	FRONT SAFETY DEV.FOR RAP/AUX BURNER	1
01071	424008	SCREW NUT FOR SAFETY DEVICE CLAMP	5
01104	482057	ORANGE WARNING LIGHT CAP 27299904OT	2
01108	072438	SUPP.FOR BIG OVEN REFLECT.ELEMENT	1
01109	072433	SUPP.FOR LITTLE OVEN REFLEC.ELEMENT	1
01110	072310	RIGHT/TC CENTRAL BURNER SUPPORT	1
01110	072311	LEFT/FISH CENTR.BURNER SUPPORT	1
01111	073430	COOKER BOTTOM	1
01111	113994	BLACK COOKER BOTTOM	1
01112	072983	DRAWER CABINET CLOSING	1
01113	072823	SIDES SUPPORT	1
01115	371874	HOB LEFT LOCK	1
01116	371875	HOB RIGHT LOCK	1
01118	072435	AIR CONVEYOR	1
01119	072270	COVERING FOR LATERAL GLASS WOOL	4
01120	072337	GLASS WOOL COVER FOR BIG OVEN	1
01121	072336	GLASS WOOL COVER FOR LITTLE OVEN	1
01124	072169	TURNSPIT CLAMPING SUPPORT	1
01125	072335	REAR WALL FOR MOTORS SUP.-LITTLE O.	1
01127	072833	TANGENTIAL AIR DEFLECTOR	1
01129	112980	LITTLE OVEN UPPER WALL-BLACK-	1
01130	113422	LITTLE OVEN BOTTOM -BLACK-	1
01131	113757	LITTLE OVEN DRIP-TRAY	1
01133	655491	FRAME+LITTLE DOOR GLASS GROUP	1
01134	361484	LITTLE OVEN HANDLE	1
01135	405737	LITTLE OVEN GASKET	1
01136	451407	LITTLE OVEN WIRE GRID	1
01137	471129	WHITE GLASS WOOL (LITTLE OVEN)	1
01138	471094	DRAWER WHITE GLASS WOOL (BIG OVEN)	1
01139	471095	DRAWER WHITE GLASS WOOL(SMALL OVEN)	1
01141	451276	TRIVET FOR SMALL DRIP-TRAY	1
01143	482750	LOWER HEATING ELEM.FOR SMALL OVEN	1
01144	482595	UPPER/GRILL HEATING ELEMENT	1
01145	482751	MICRO SWITCH GROUP FOR IGNITER	1
01147	494149	TRIPLE GLASS	1
01149	494151	DOUBLE GLASS	1
01150	494152	TRIPLE GLASS	1
01171	431164	OVEN DOOR HINGE	2
01172	425047	TAPS LOCKING BRIDLE	5
01196	072296	LEGS SUPPORT	4
01209	601415	DRAWER REAR CLOSING	1
01226	072379	MANIFOLD REAR LOCK	1
01244	471130	GLASS WOOL FOR REAR WALL	1
01245	471131	GLASS WOOL FOR REAR WALL	1
01265	482363	SUPPORTING PLATE FOR THERMO SWITCH	4
01306	481408	OVEN COMMUTATOR 4623866640	1
01362	601436	COUPLE OF SLIDES FOR DRAWER	1
01364	113822	UPPER CLOSING FOR LATERAL SUPPORT	1
01365	113823	UPPER CLOSING FOR LATERAL SUPPORT	1
01366	073072	PLATE FOR DRAWER REAR LOCK	2
01367	073073	PLATE FOR DRAWER FRONT LOCK	2