



SP900**

Spirit 90cm vertical hood

(black with black glass / stainless steel with clear glass)



INSTRUCTION MANUAL

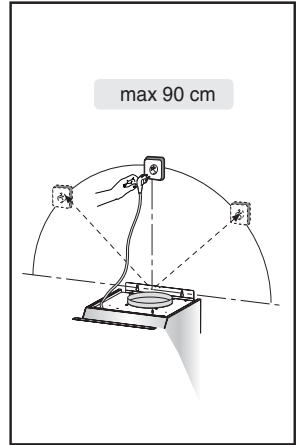
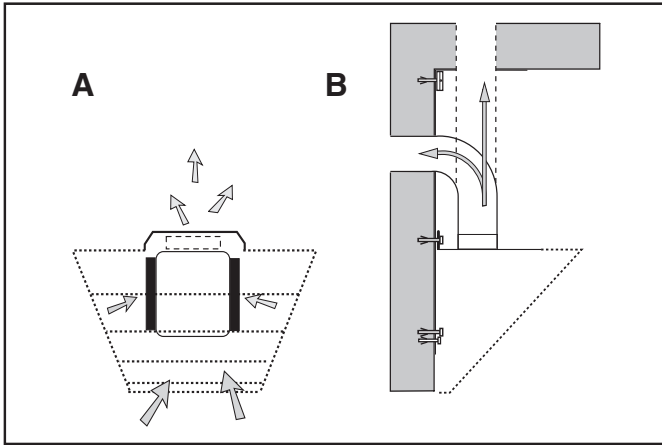


Fig.1

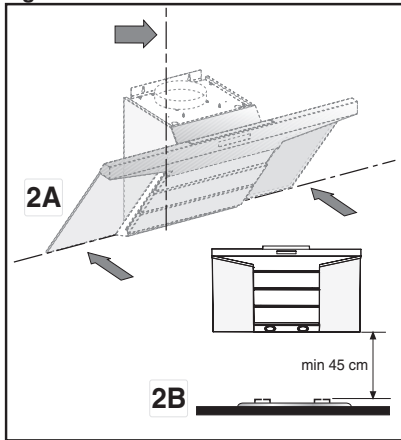


Fig.2

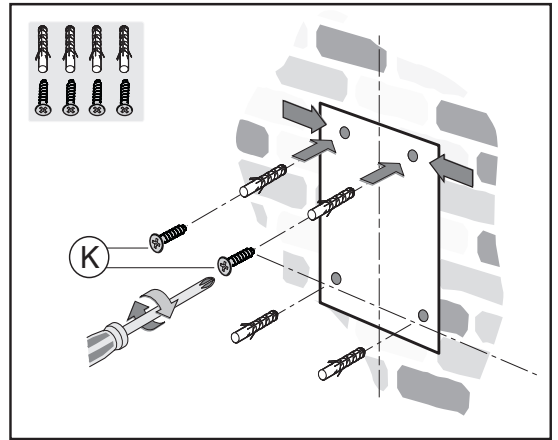


Fig.3

MODEL 1

MODEL 2

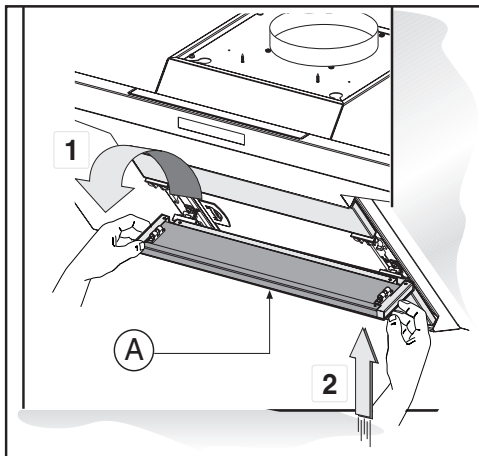


Fig.4

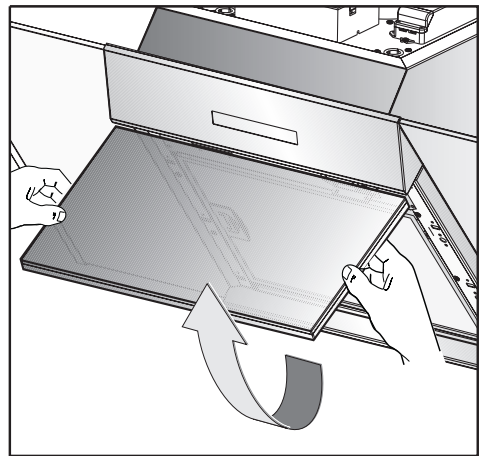


Fig.5

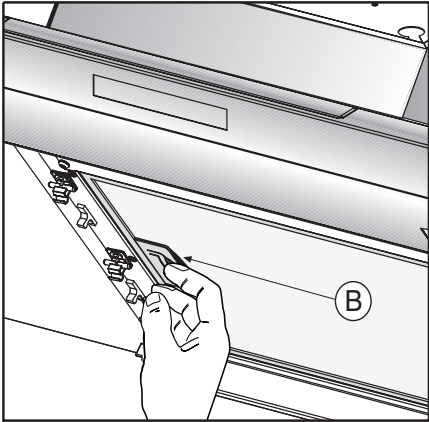


Fig.6

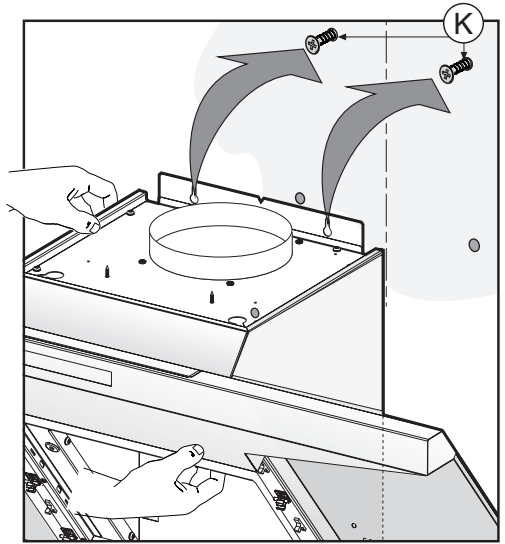


Fig.7

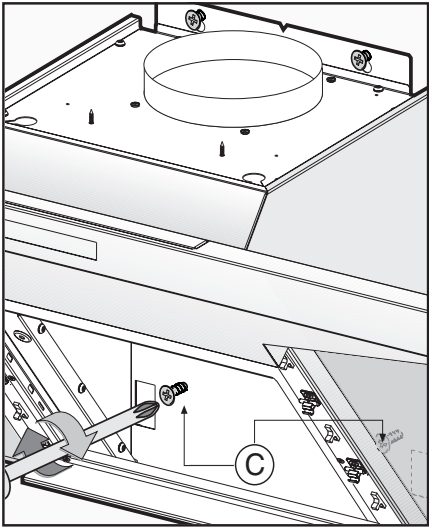


Fig.8

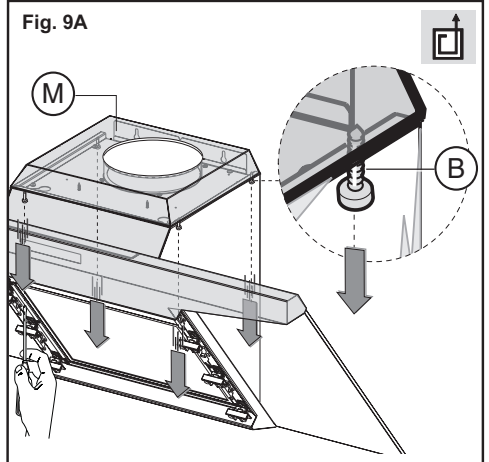


Fig. 9A

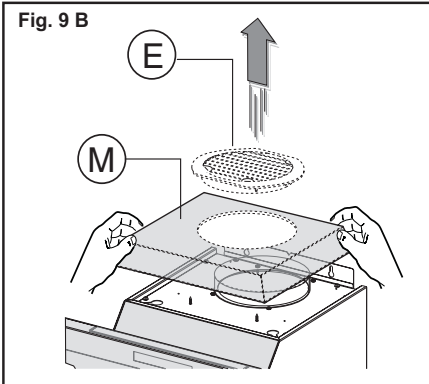


Fig. 9 B

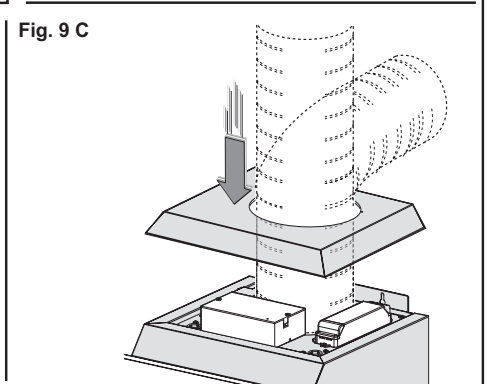


Fig. 9 C

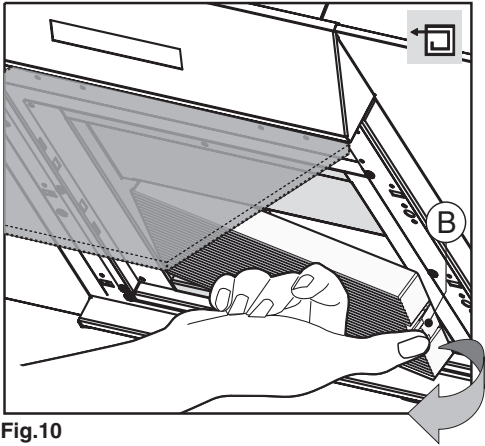


Fig. 10

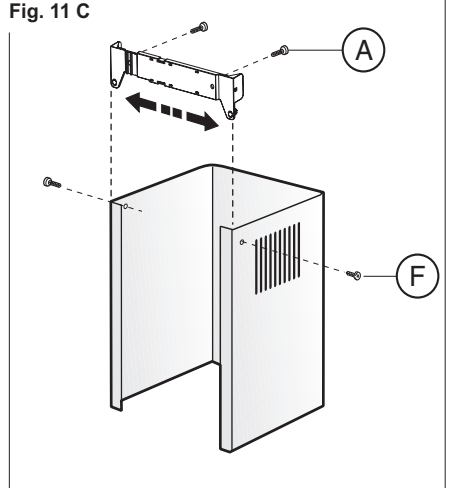
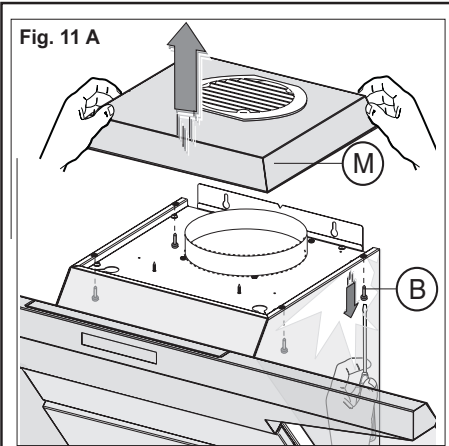


Fig. 11 B

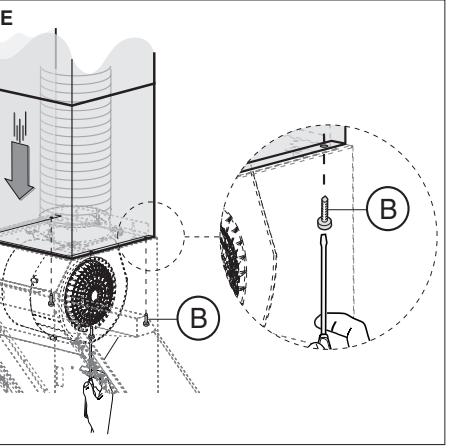


Fig. 11 C

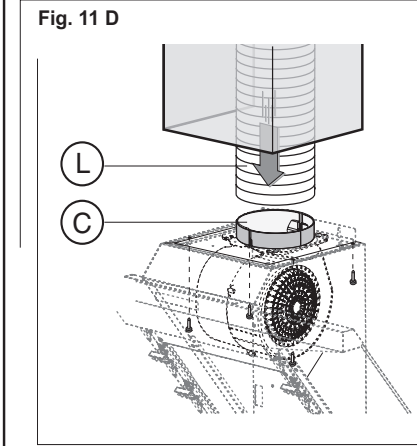


Fig. 11 D

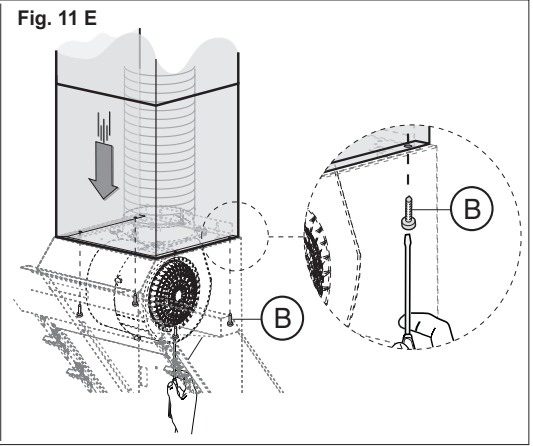


Fig. 11 E

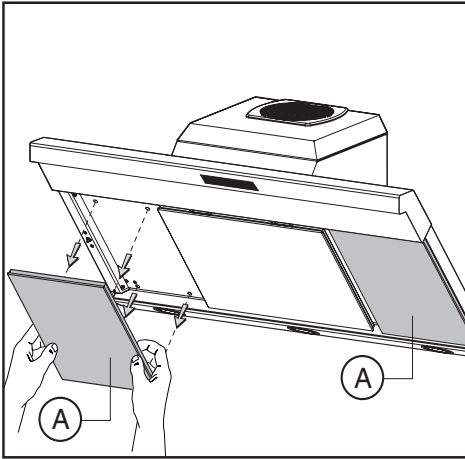


Fig.12

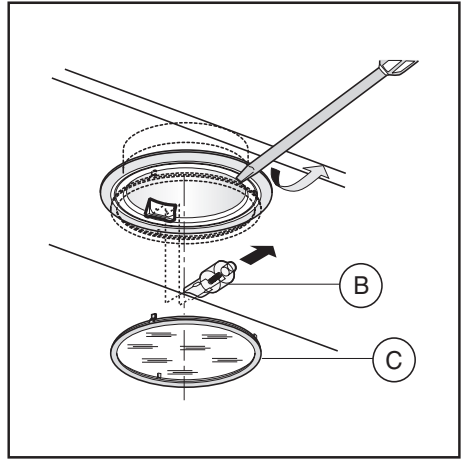


Fig.13

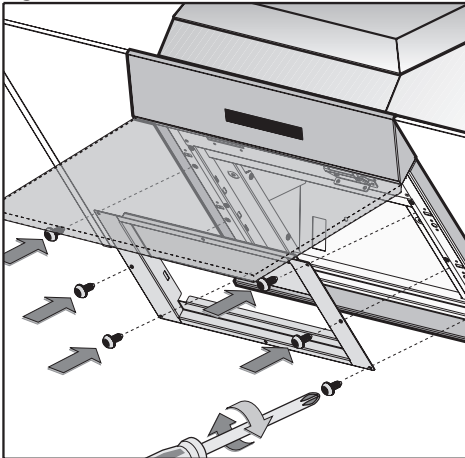


Fig.14

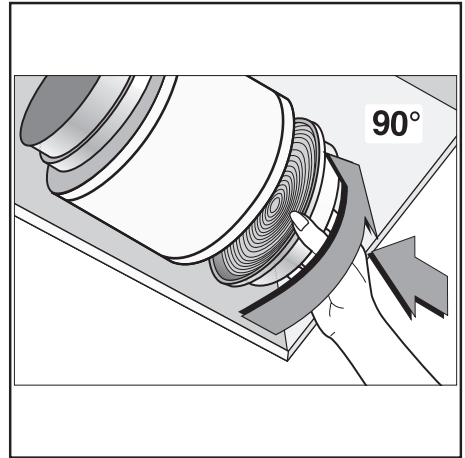


Fig.15

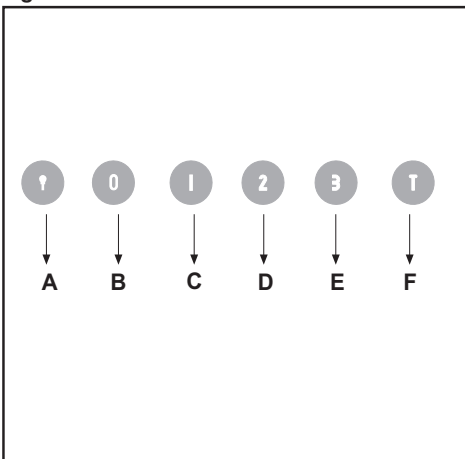


Fig.16

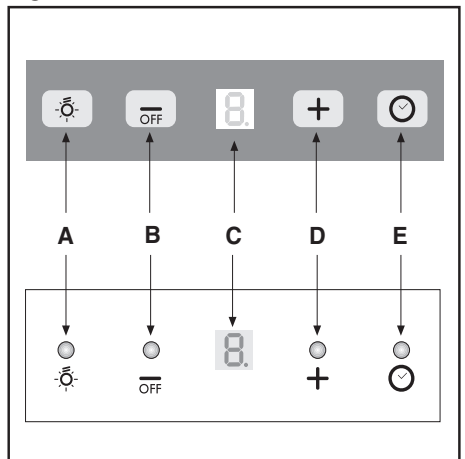


Fig.17

GENERAL

Carefully read the following important information regarding installation safety and maintenance. Keep this information booklet accessible for further consultations. The appliance has been designed for use in the ducting version (air exhaust to the outside – Fig.1B), filtering version (air circulation on the inside – Fig.1A).

SAFETY PRECAUTION

1. Take care when the cooker hood is operating simultaneously with an open fireplace or burner that depend on the air in the environment and are supplied by other than electrical energy, as the cooker hood removes the air from the environment which a burner or fireplace need for combustion. The negative pressure in the environment must not exceed 4Pa (4x10⁻⁵ bar). Provide adequate ventilation in the environment for a safe operation of the cooker hood. Follow the local laws applicable for external air evacuation.

Before connecting the model to the electricity network:

- Control the data plate (positioned inside the appliance) to ascertain that the voltage and power correspond to the network and the socket is suitable. If in doubt ask a qualified electrician.
- If the power supply cable is damaged, it must be replaced with another cable or a special assembly, which may be obtained direct from the manufacturer or from the Technical Assistance Centre.


2. WARNING !

In certain circumstances electrical appliances may be a danger hazard.

- A) Do not check the status of the filters while the cooker hood is operating**
- B) Do not touch bulbs or adjacent areas, during or straight after prolonged use of the lighting installation.**
- C) Flambé cooking is prohibited underneath the cooker hood**
- D) Avoid free flame, as it is damaging for the filters and a fire hazard**
- E) Constantly check food frying to avoid that the overheated oil may become a fire hazard**
- F) Disconnect the electrical plug prior to any maintenance.**
- G) This appliance is not intended for use by young children or infirm persons without supervision**
- H) Young children should be supervised to ensure they do not play with the appliance**
- I) There shall be adequate ventilation of the room when the rangehood is used at the same time as appliances burning gas or other fuels**
- L) There is a risk of fire if cleaning is not carried out in accordance with the instructions**

This appliance conforms to the European Directive EC/2002/96, Waste Electrical and Electronic Equipment

(WEEE). By making sure that this appliance is disposed of in a suitable manner, the user is helping to prevent potential damage to the environment or to public health.

The  symbol on the product or on the accompanying paperwork indicates that the appliance should not be treated as domestic waste, but should be delivered to a suitable electric and electronic appliance recycling collection point. Follow local guidelines when disposing of waste. For more information on the treatment, re-use and recycling of this product, please contact your local authority, domestic waste collection service or the shop where the appliance was purchased.

INSTALLATION INSTRUCTIONS

Assembly and electrical connections must be carried out by specialised personnel.

• Electric Connection

The appliance has been manufactured as a class II, therefore no earth cable is necessary.

The connection to the mains is carried out as follows:

BROWN = L line

BLUE = N neutral

If not provided, connect a plug for the electrical load indicated on the description label. Where a plug is provided, the cooker hood must be installed in order that the plug is easily accessible.

An omnipolar switch with a minimum opening of 3mm between contacts, in line with the electrical load and local standards, must be placed between the appliance and the network in the case of direct connection to the electrical network.

- The distance between the surface supporting the cooking containers on the cooking device and the bottom of the kitchen hood must be a minimum of 65 cm (if it is a gas hob) and 45 cm (if it is an electric or induction heating system hob).

If a connection tube composed of two parts is used, the upper part must be placed outside the lower part. Do not connect the cooker hood exhaust to the same conductor used to circulate hot air or for evacuating fumes from other appliances generated by other than an electrical source.

- In the case of assembly of the appliance in the suction version prepare the hole for evacuation of the air.

- We recommend the use of an air exhaust pipe with a diameter of 150. If a pipe with a smaller diameter is used, the efficiency of the product may be reduced and its operation may become noisier

- Before starting to fix the hood, disconnect the anti-grease filter **B** (Fig.6) for easier appliance handling. Before this operation, perform the following steps depending on the model purchased:

MODEL 1

Remove the 3 panels **A** as shown in Fig.4.

Pull handle **B** as shown in Fig.6.

MODEL 2

Open panel **C** as shown in Fig.5.

Pull handle **B** as shown in Fig.6.

If the appliance has a lid, remove it by removing the 4 screws **B** as shown in Fig.9A.

• WALL FIXING

Mark the position of the lower side of the hood on the wall (Fig.2A). Maintain the minimum distance required from the hob as shown in Fig.2B.

- Position the fixing template on the wall, making sure that the line coincides with the line previously made on the wall.

- Mark the fixing holes and cut them into the material (Fig.3).

- Fix the 2 top screws **K** and screw anchors (Fig.3), without tightening them completely.

- Place the appliance against the wall, align it in horizontal position and tighten screws **K** (Fig.7).

- Once the adjustment has been completed, fix the hood using the 2 screws **C** (Fig.8).

- When carrying out the fixing operations, use only screws and screw anchors suited to the type of wall (e.g. reinforced concrete, plasterboard etc.).

- If the screws and screw anchors are supplied with the appliance, make sure that they are suited to the type of wall to which the hood must be fixed.

• INSTALLATION OF MODELS WITHOUT DECORATIVE DUCTS

EXTRACTOR HOOD

- Remove the 4 screws **B** as shown in (Fig.9A).

- Remove both grid **E** on the air outlet hole and lid **M** as shown in (Fig.9B).

- Connect the hood to the flexible hose (not supplied) and the hose to the air exhaust hole previously prepared (Fig.9C).

- Fix the lid once again by using the 4 screws previously removed in (Fig.9A).

• OPTIONAL ACCESSORIES

This model may have decorative ducts as optional accessories - ask your retailer for information.

Before fixing the decorative ducts, remove both the 4 screws **B** and lid **M**, as shown in (Fig.10A-B).

A sound-absorbing kit is also available (to be ordered as an **OPTIONAL** accessory) in order to increase the quietness level of the hood. The sound-absorbing layer must be applied to the back of the decorative panel. For fixing operations, refer to the instructions supplied with the kit.

• INSTALLATION OF MODELS WITH DECORATIVE DUCTS

Make sure the electrical power supply is within the measurements of the decorative connector.

Adjust the width of the support bracket of the top connector (Fig.11C). Then fix it to the ceiling so that it is on the same axis as the hood using screws **A** (Fig.11C) adhering to the distance from the ceiling shown in (Fig.11B). Connect flange **C** to the air exhaust hole using

flexible hose **L** (Fig.11D).

Slide the top duct into the bottom duct. Fix the bottom duct to the hood using screws **B** (supplied) (Fig.11E).

Pull out the top duct as far as the bracket and fix it using screws **F** (Fig.11C).

• FILTER HOOD

Please note:

The filters should be ordered as accessories from your retailer.

We offer 2 different types of kit which can be used to transform the **EXTRACTOR** hood into a **FILTER** hood, in accordance with the type of appliance model purchased. One kit contains extractable filters (fig. 10) and the other contains circular filters (fig. 15).

1- If you find a bracket (such as the one indicated in fig. 14) included in the product packaging, this should be fixed to the hood using the 6 screws supplied.

To replace the active carbon filters pull lever **B** outwards as shown in (Fig.10).

2- If your product is not supplied with a bracket, this means that the active carbon filter is a circular version (fig. 15).

The filters should be fitted to the extraction assembly inside the hood, by centring them and rotating them 90 degrees, until they click into place (Fig. 15).

USE AND MAINTENANCE

• It is recommended to operate the appliance prior to cooking.

It is recommended to leave the appliance in operation for 15 minutes after cooking is terminated in order to completely eliminate cooking vapours and odours.

The proper function of the cooker hood is conditioned by the regularity of the maintenance operations, in particular, the active carbon filter.

• The anti-grease filters capture the grease particles suspended in the air, and are therefore subject to clogging according to the frequency of the use of the appliance.

In order to prevent fire hazard, it is recommendable to clean the filter at a maximum of 2 months by carrying out the following instructions:

- Remove the filters from the cooker hood and wash them in a solution of water and neutral liquid detergent, leaving to soak.

- Rinse thoroughly with warm water and leave to dry.

- The filters may also be washed in the dishwasher.

The aluminium panels may alter in colour after several washes. This is not cause for customer complaint nor replacement of panels.

• The active carbon filters purify the air that is replaced in the environment. The filters are not washable nor re-useable and must be replaced at maximum every four months. The saturation of the active carbon filter depends on the frequency of use of the appliance, by the type of cooking and the regularity of cleaning the anti-grease filters.

• Clean the fan and other surfaces of the cooker hood regularly using a cloth moistened with denatured alcohol or non abrasive liquid detergent.

- The illumination installation is designed for use during cooking and not for prolonged general illumination of the environment. Prolonged use of the illumination installation notably reduces the duration of the bulb.

Please note:

If your appliance model is fitted with side panels (A), for more thorough cleaning these can be removed by pulling them in the direction indicated in fig. 12.

• Replacing halogen light bulbs (Fig. 13).

To replace the halogen light bulbs **B**, remove the glass panel **C** using a lever action on the relevant cracks.

Replace the bulbs with new ones of the same type.

Caution: do not touch the light bulb with bare hands.

COMMANDS: (Fig.17)

Push-button A = on/off lights switch

Push-button B = on/off cooker hood switch. The appliance switches on at speed level 1. If the cooker hood is on depress the push-button for 2 sec. to switch off the cooker hood. If the cooker hood is at speed level 1 it will not be necessary to depress the push-button to switch the cooker hood off. Decreases the motor speed.

Display C = indicates the motor speed level selected and activates the timer.

Push-button D = switches on the cooker hood. Increases the motor speed. Touching the key at 3rd speed, the intensive function runs for 10', then the appliance goes back to work at the original speed. During this function the display blinks.

Key E = The Timer times the functions on activation for 15 minutes, after which they are switched off. The Timer is deactivated by re-pressing **Key E**. When the Timer is activated the decimal point must flash on the display. The Timer cannot be activated if the intensive speed is functioning.

The "clean air" function is activated by pressing key **E** for 2 seconds when the appliance is switched off. This switches the motor on for 10 minutes every hour at the first speed. During functioning a rotary movement of the peripheral segments must be visualised on the display. When this time has passed the motor switches off and the fixed letter "C" must be visualised on the display until the motor re-starts after 50 minutes for another 10 minutes and so on. Press any key apart from the light keys to return to normal functioning. Press key **E** to deactivate the function.

• Active carbon/grease filter saturation:

- When display item **C** flashes, at a speed where it alternates with the letter **F** (e.g. 1 and **F**), the **grease** filters must be washed.

- When display item **C** flashes, at a speed where it alternates with the letter **A** (e.g. 1 and **A**), the **carbon** filters must be replaced.

After the clean filter has been positioned correctly, the electronic memory must be reset by pressing button **A** for approximately **5 seconds**, until the indication **F** or **A** shown on the display **C** stops flashing.

• COMMANDS: (Fig.16) **LUMINOUS** the key symbols are explained below:

A = LIGHT

B = OFF

C = SPEED I

D = SPEED II

E = SPEED III

F = AUTOMATIC STOP TIMER - 15 minutes (*)

• If your appliance does not have the **INTENSIVE** speed function, press key **E** for two seconds and it will be activated for 10 minutes after which it will return to the previously set speed.

When the function is active the LED flashes. To interrupt it before the 10 minutes have expired press key **E** again.

• By pressing key **F** for two seconds (with the hood switched off) the "clean air" function is activated. This function switches the appliance on for ten minutes every hour at the first speed. As soon as this function is activated the motor starts up at the first speed for ten minutes. During this time key **F** and key **C** must flash at the same time.

After ten minutes the motor switches off and the LED of key **F** remains switched on with a fixed light until the motor starts up again at the first speed after fifty minutes and keys **F** and **C** start to flash again for ten minutes and so on.

By pressing any key for the exclusion of the hood light the hood will return immediately to its normal functioning (e.g. if key **D** is pressed the "clean air" function is deactivated and the motor moves to the 2nd speed straight away. By pressing key **B** the function is deactivated).

(*) The "automatic stop timer" delays stopping of the hood, which will continue functioning for 15 minutes at the operating speed set at the time this function is activated.

• Active carbon/grease filter saturation:

- When button **A** flashes at a frequency of **2 seconds**, the **grease** filters must be cleaned.

- When button **A** flashes at a frequency of **0.5 seconds**, the **carbon** filters must be replaced.

After the clean filter has been replaced, the electronic memory must be reset by pressing button **A** for approximately **5 seconds**, until the light on the button stops flashing.

THE MANUFACTURER DECLINES ALL RESPONSIBILITY FOR EVENTUAL DAMAGES CAUSED BY BREACHING THE ABOVE WARNINGS.