



SP600**

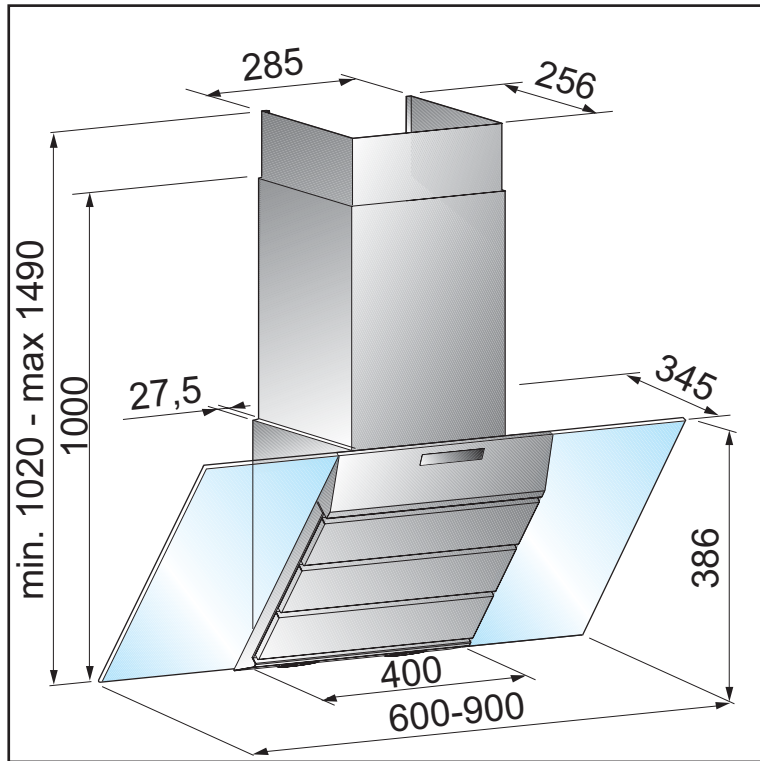
Spirit 60cm vertical hood

(black with black glass / stainless steel with clear glass)

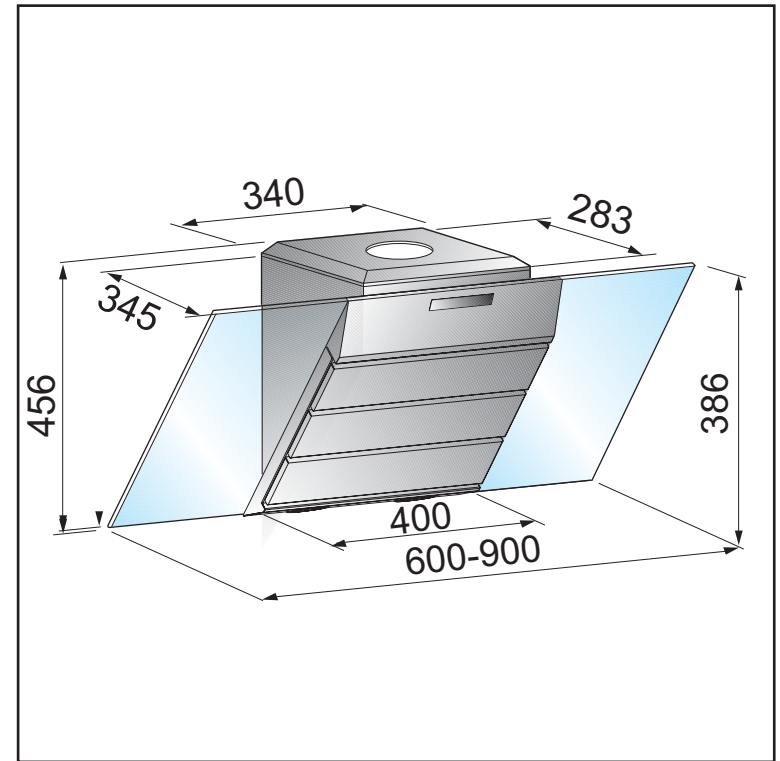


TECHNICAL INFORMATION

H12

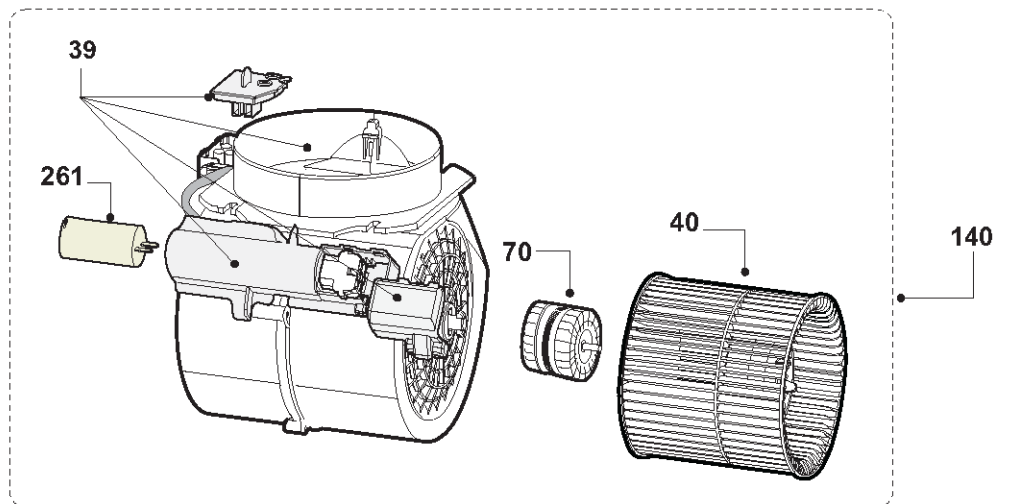
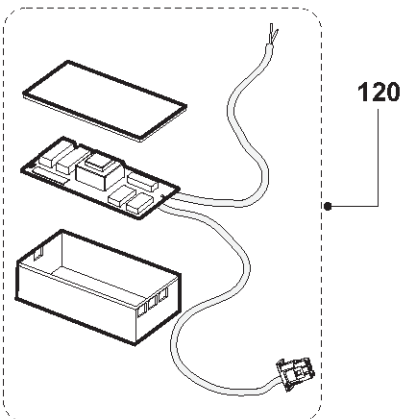
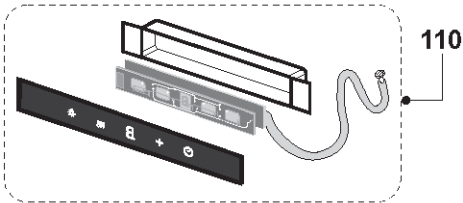
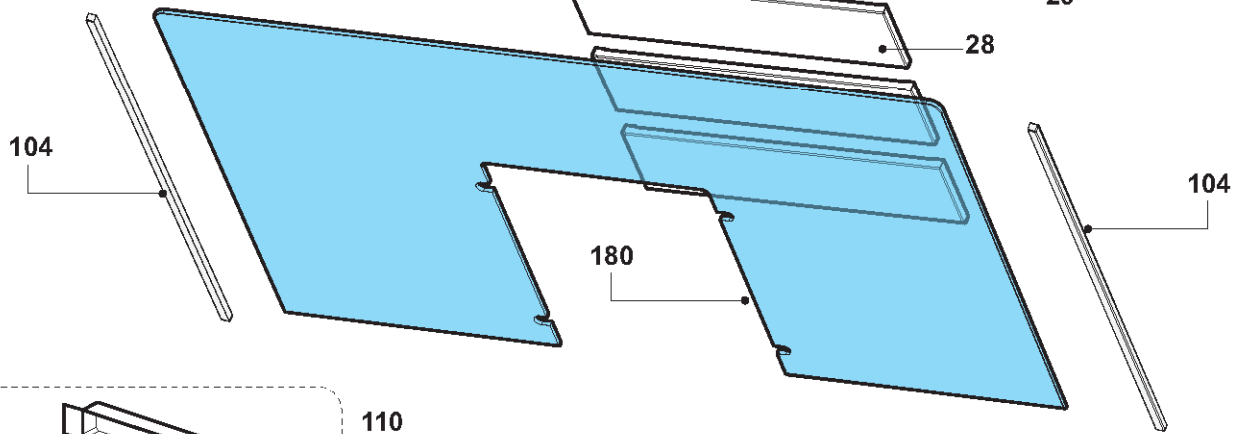
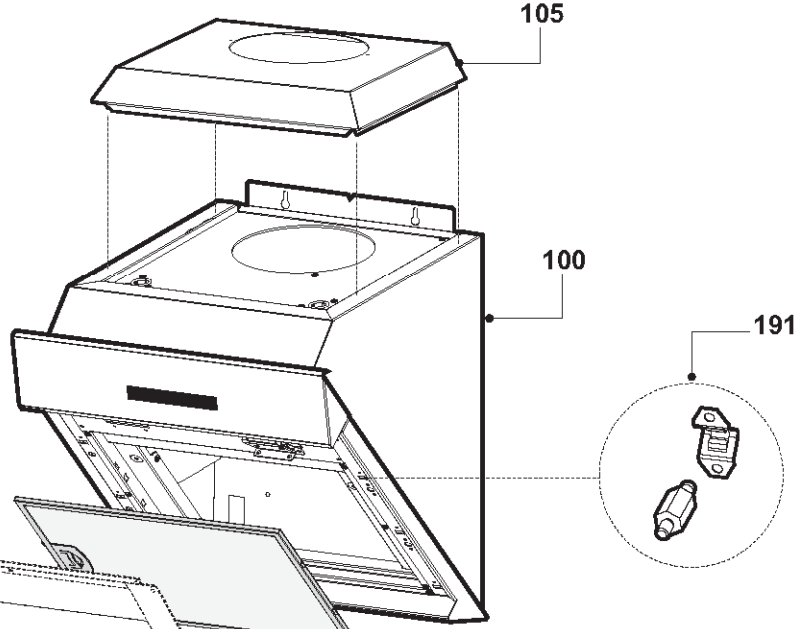
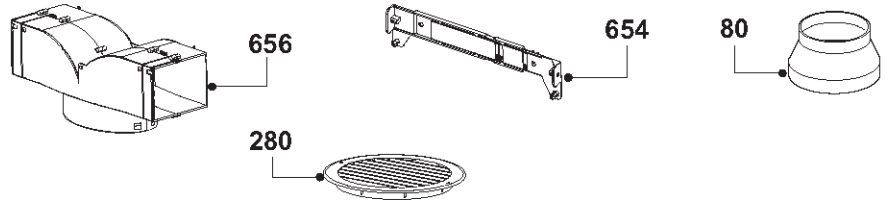
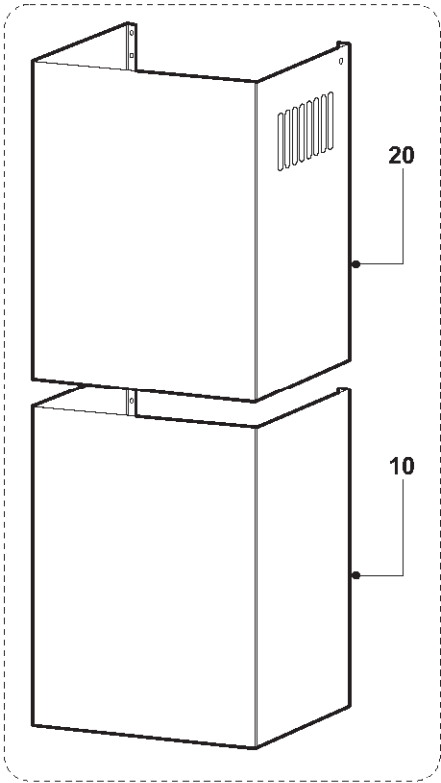


H12



SP600**

Spirit 60cm vertical hood
(black with black glass / stainless steel with clear glass)





SP600BK - Spirit 60cm vertical hood

Item	Part Code	Description
10	SPK2186	LOWER CHIMNEY
20	SPK2187	UPPER CHIMNEY
28	SPK2553	ASPIRATING PANEL
29	00SP002990V	ALUMINUM PANEL
30	SPK2188	CHIMNEY
39	SPK1555	TANGENTIAL CONVEYOR
40	SPK1563	FAN WHEEL
70	SPK1564	MOTOR
80	SPK0004	REDUCTION
100	SPK2552	BODY
110	SPK0095	CONTROL
120	SPK2542	POWER CIRCUIT
140	SPK1565	MOTOR GROUP
180	SPK1547	GLASS
191	SPK1408	PANEL - BODY PINS
261	SPK3013	CONDENSER
554	00SP0554000	TRANSFORMER 105W
609	SPK0931	HALOGEN LAMP
654	00SP0654000	CHIMNEY BRACKET
656	00SP0656000	AIR DEVIATOR



SP600SS - Spirit 60cm vertical hood

Item	Part Code	Description
10	SPK2779	LOWER CHIMNEY
20	SPK2780	UPPER CHIMNEY
28	SPK2783	ASPIRATING PANEL
29	00SP002990V	ALUMINUM PANEL
30	SPK2781	CHIMNEY
39	SPK1555	TANGENTIAL CONVEYOR
40	SPK1563	FAN WHEEL
70	SPK1564	MOTOR
80	SPK0004	REDUCTION
100	SPK1435	BODY
110	SPK0095	CONTROL
120	SPK1562	POWER BOARD
140	SPK1565	MOTOR GROUP
180	SPK0941	GLASS
191	SPK1408	PANEL - BODY PINS
261	00SP0261001	N.10 CONDENSERS
554	00SP0554000	TRANSFORMER 105W
609	SPK0931	HALOGEN LAMP
654	00SP0654000	CHIMNEY BRACKET
656	00SP0656000	AIR DEVIATOR



SP600**

Spirit 60cm vertical hood

(black with black glass / stainless steel with clear glass)

