



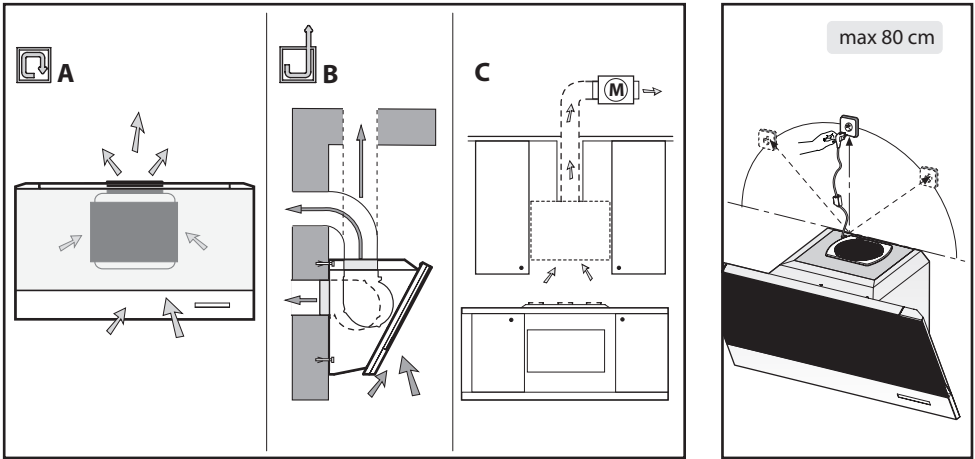
# **Instruction manual for Sirocco 80 cm hood**

Model code: Si800

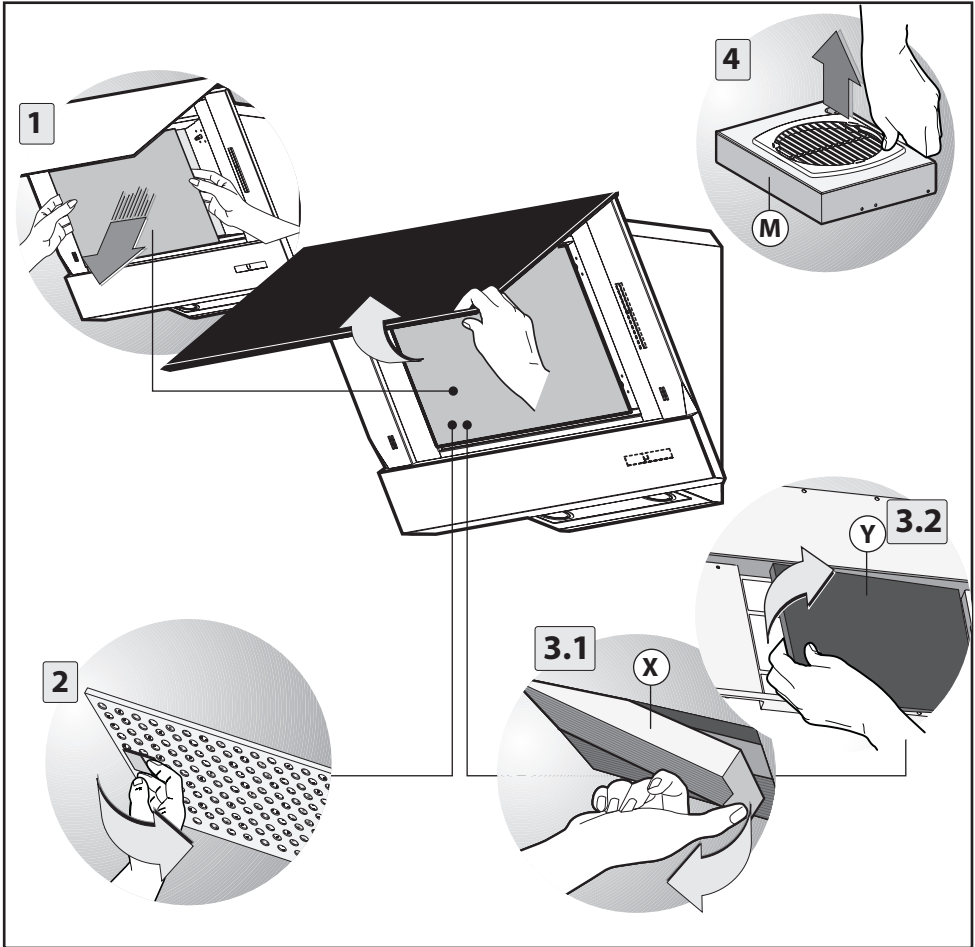


**Contact Cadle on 08448003830 or for spare parts [www.4cadle.co.uk](http://www.4cadle.co.uk)**





**Fig.1**



**Fig.2**

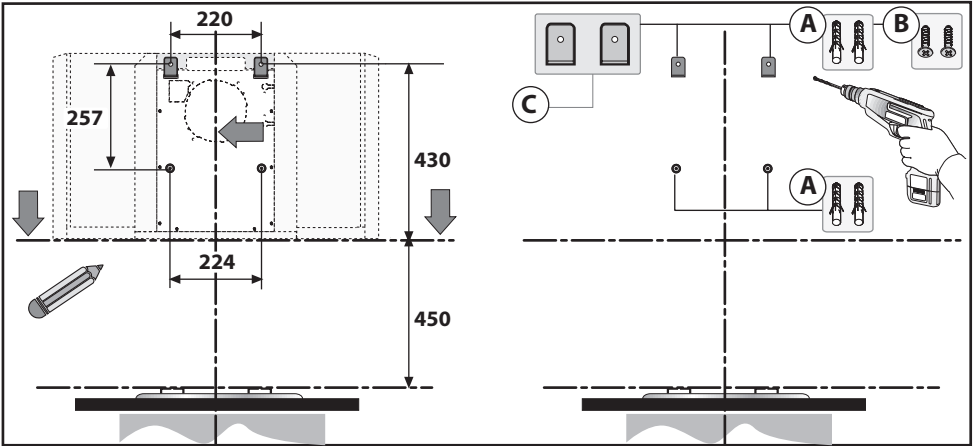


Fig.3

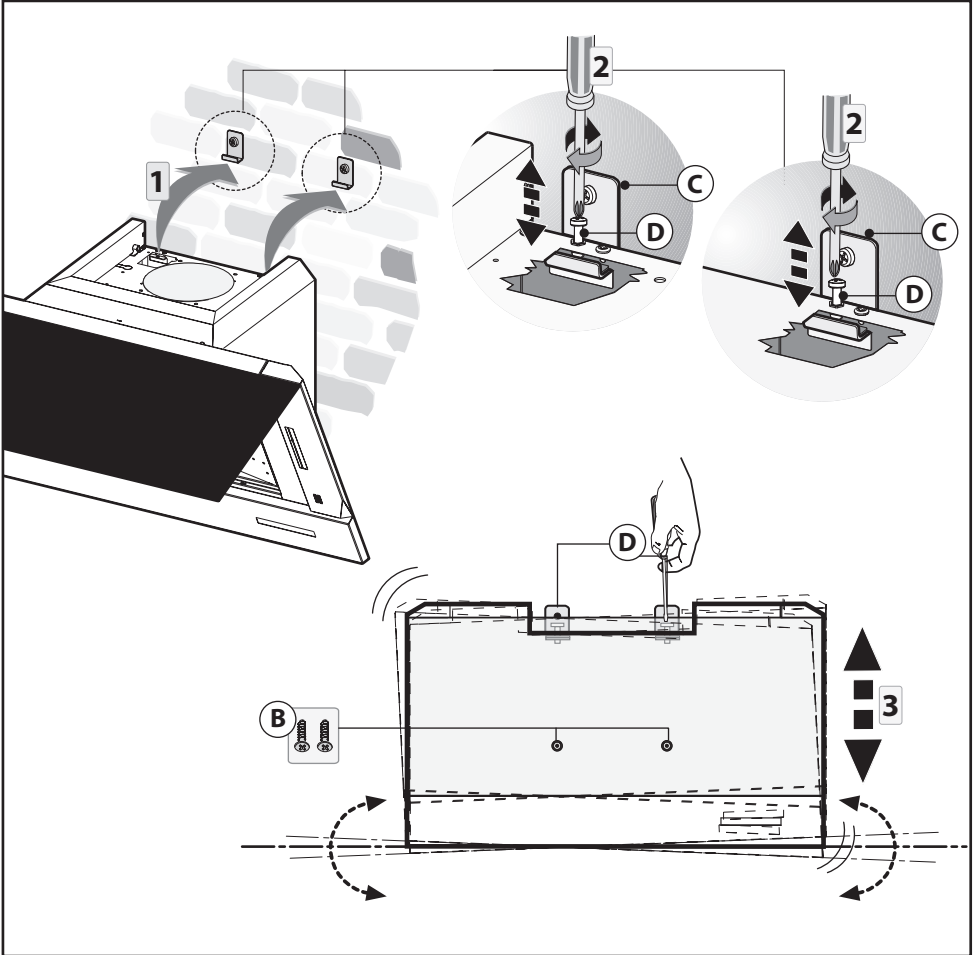


Fig.4

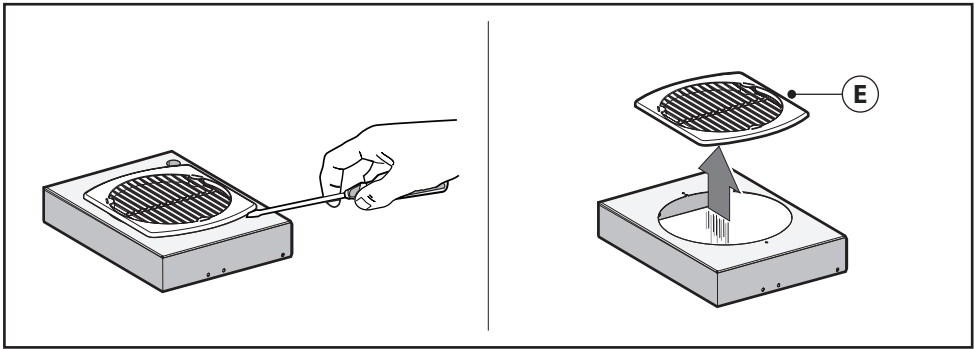


Fig.5

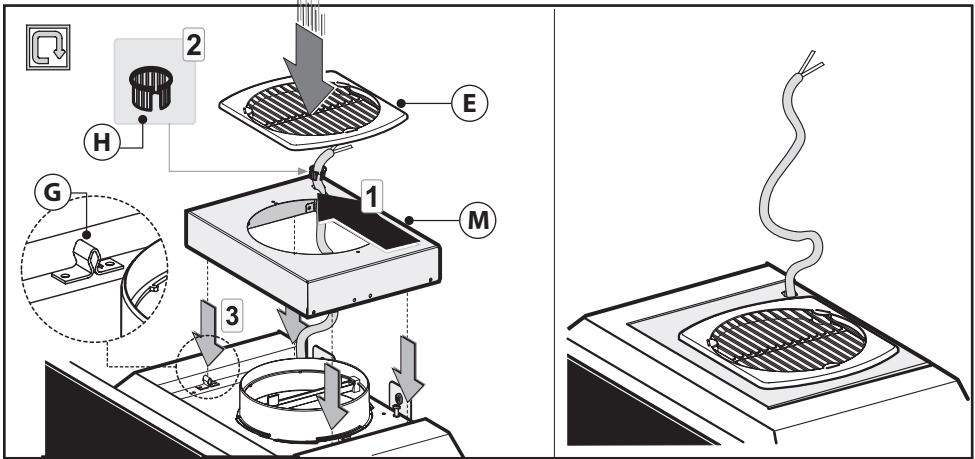


Fig.6

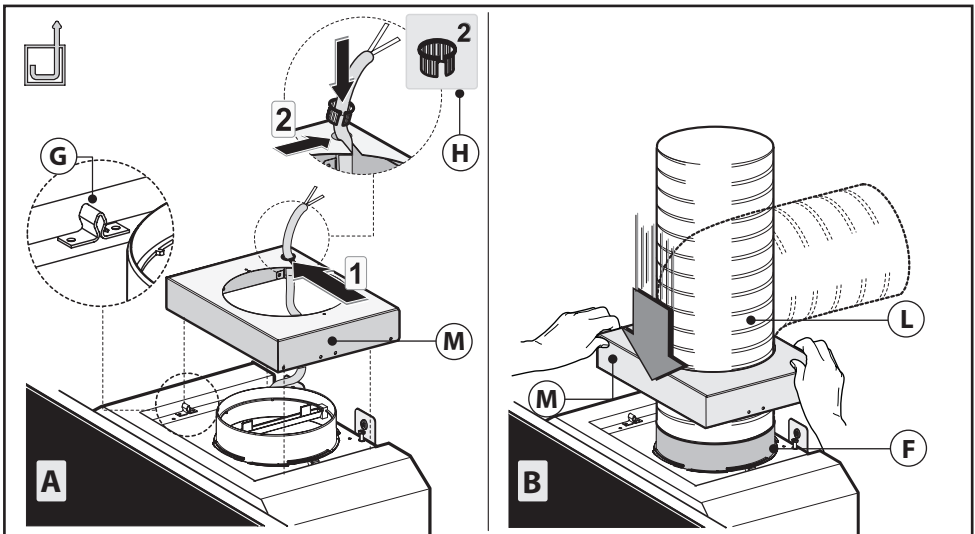


Fig.7

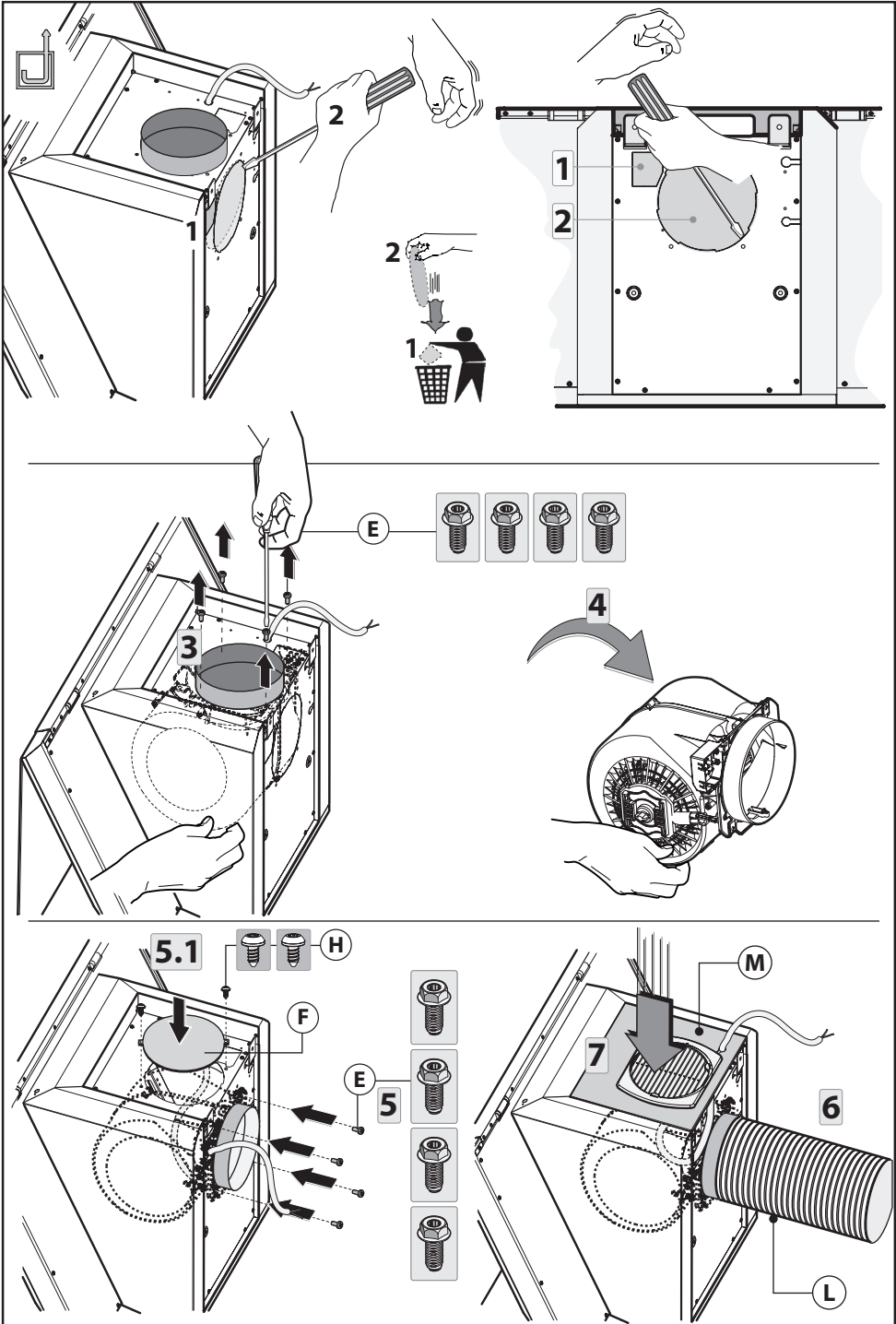


Fig.8

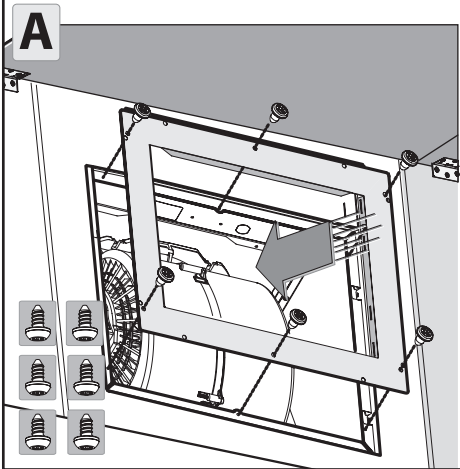
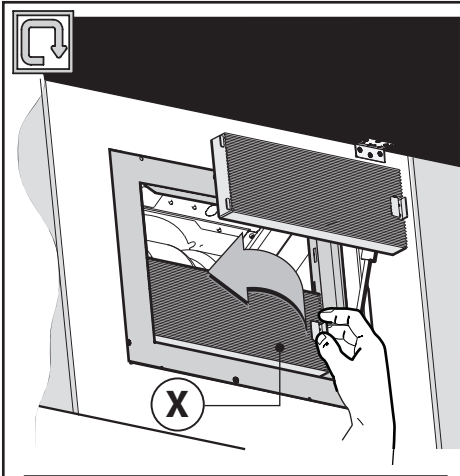


Fig.9

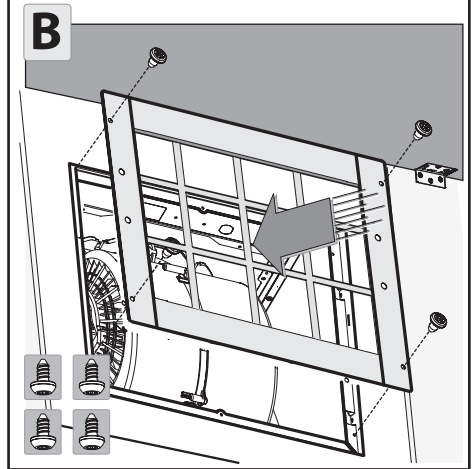
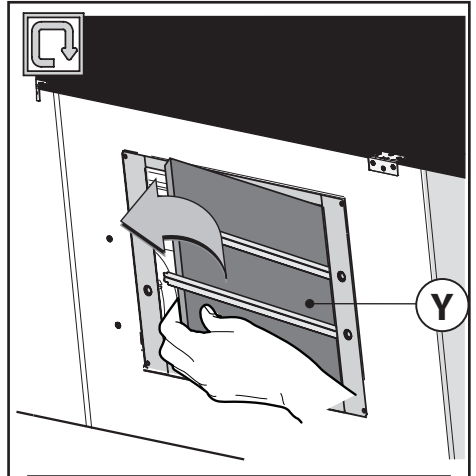


Fig.10

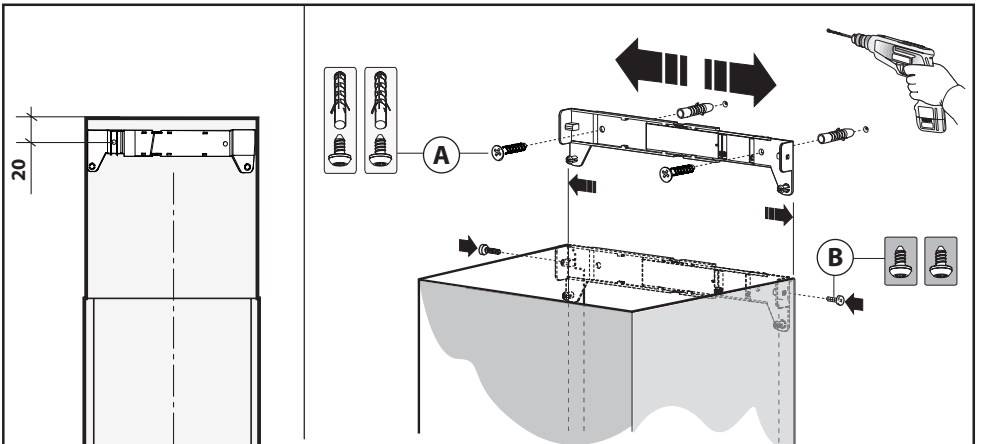


Fig.11

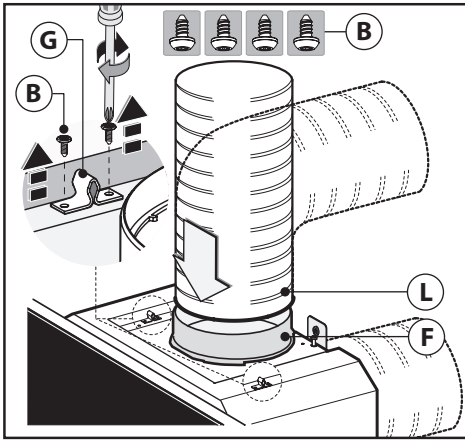


Fig.12

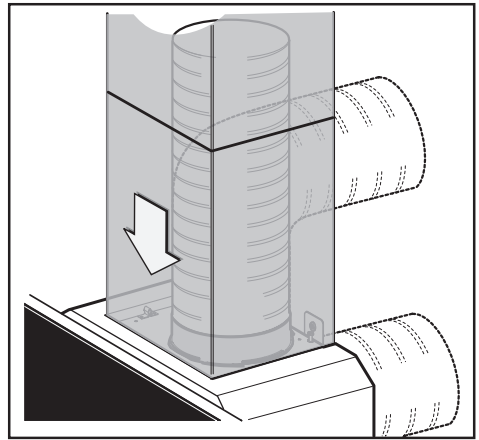


Fig.13

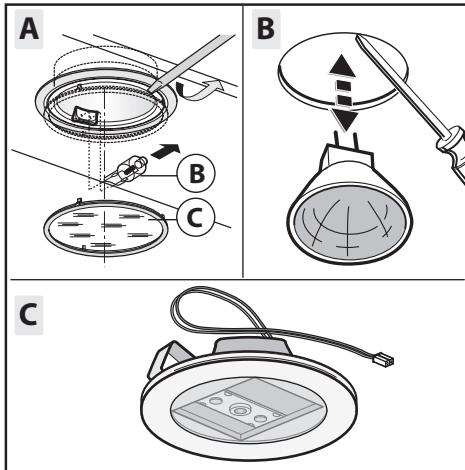


Fig.14

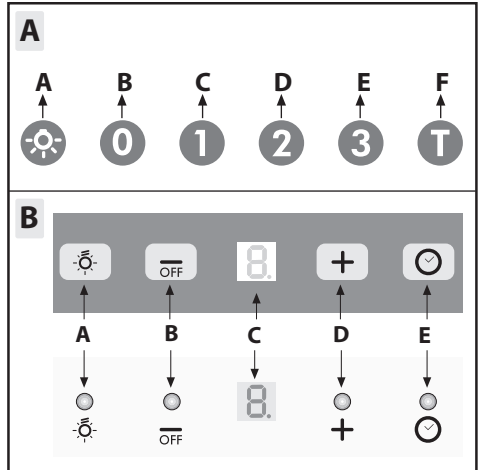


Fig.15

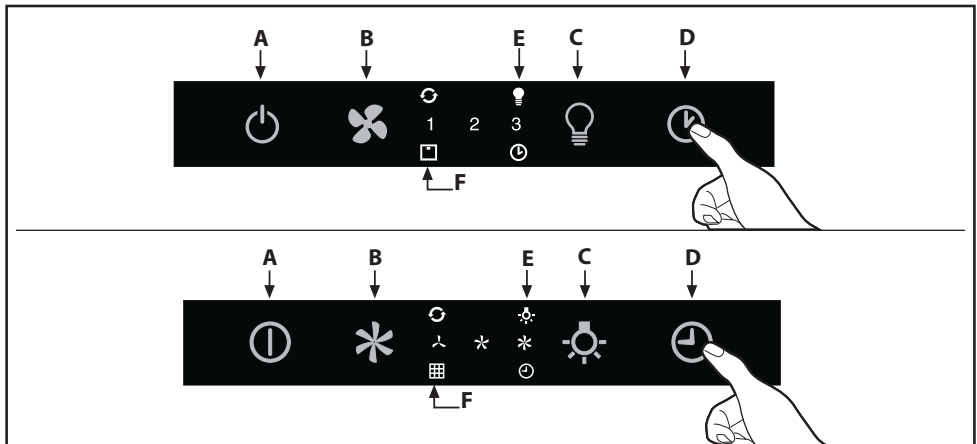


Fig.16

**GENERAL**

Carefully read the following important information regarding installation safety and maintenance. Keep this information booklet accessible for further consultations. The appliance has been designed for use in the ducting version (air exhaust to the outside – **Fig.1B**), filtering version (air circulation on the inside – **Fig.1A**) or with external motor (**Fig.1C**).

**SAFETY PRECAUTIONS**

1. Take care when the cooker hood is operating simultaneously with an open fireplace or burner that depend on the air in the environment and are supplied by other than electrical energy, as the cooker hood removes the air from the environment which a burner or fireplace need for combustion. The negative pressure in the environment must not exceed 4Pa (4x10<sup>-5</sup> bar). Provide adequate ventilation in the environment for a safe operation of the cooker hood. Follow the local laws applicable for external air evacuation.

**Before connecting the model to the electrical supply:**

- Check the data plate (positioned inside the appliance) to ascertain that the voltage and power correspond to the network and the socket is suitable. If in doubt ask a qualified electrician.
- If the power supply cable is damaged, it must be replaced with another cable or a special assembly, which may be obtained direct from the manufacturer or from the Technical Assistance Centre.
- This device must be connected to the supply network through either a plug **fused 3A** or hardwired to a **2 fase** spur protected by **3A fuse**.


**2. Warning !**

**In certain circumstances electrical appliances may be a danger.**

- A) Do not check the status of the filters while the cooker hood is operating.**
- B) Do not touch bulbs or adjacent areas, during or straight after prolonged use of the lighting installation.**
- C) Flambè cooking is prohibited underneath the cooker hood.**
- D) Avoid free flame, as it is damaging for the filters and a fire hazard.**
- E) Constantly check food frying as the overheated oil may become a fire hazard.**
- F) Disconnect the electrical plug prior to any maintenance.**
- G) This appliance is not intended for use by young children or infirm persons without supervision.**
- H) Young children should be supervised to ensure they do not play with the appliance.**
- I) There shall be adequate ventilation of the room when the cooker hood is used at the same time as appliances burning gas or other fuels.**
- L) There is a risk of fire if cleaning is not carried out in accordance with the instructions.**

This appliance conforms to the European Directive EC/2002/96, Waste Electrical and Electronic Equipment (WEEE). By making sure that this appliance is disposed of in

a suitable manner, the user is helping to prevent potential damage to the environment or to public health.



The  symbol on the product or on the accompanying paperwork indicates that the appliance should not be treated as domestic waste, but should be delivered to a suitable electric and electronic appliance recycling collection point. Follow local guidelines when disposing of waste. For more information on the treatment, re-use and recycling of this product, please contact your local authority, domestic waste collection service or the shop where the appliance was purchased.

**INSTALLATION INSTRUCTIONS**

- **Assembly and electrical connections must be carried out by specialised personnel.**
- **Wear protective gloves before proceeding with the installation.**

**• Electric Connection**

Note: Verify the data label placed inside the appliance:

- If the symbol  appears on the plate, it means that no earth connection must be made on the appliance, therefore follow the instructions concerning insulation class II.
- If the symbol  DOES NOT appear on the plate, follow the instructions concerning insulation class I.

**Insulation class II**

The appliance has been manufactured as a class II, therefore no earth cable is necessary.

The plug must be easily accessible after the installation of the appliance. If the appliance is equipped with power cord without plug, a suitably dimensioned omnipolar switch with 3 mm minimum opening between contacts must be fitted between the appliance and the electricity supply in compliance with the load and current regulations.


The connection to the mains is carried out as follows:

BROWN = **L** line  
BLUE = **N** neutral

**Insulation class I****Warning:**

This is a **class I**, appliance and must therefore be connected to an efficient earthing system.

The appliance must be connected to the electricity supply as follows:

BROWN = **L** live wire  
BLUE = **N** neutral  
YELLOW / GREEN =  earth

The neutral wire must be connected to the terminal with the **N** symbol while the **YELLOW / GREEN**, wire must be connected to the terminal by the earth symbol .

**Warning:**

When connecting the appliance to the electricity supply, make sure that the mains socket has an earth connection. After fitting the ducted cooker hood, make sure that the electrical plug is in a position where it can be accessed easily. If the appliance is connected directly to the electricity supply, an omnipolar switch with a minimum contact opening of 3 mm must be placed in between the two; its size must

be suitable for the load required and it must comply with current legislation.

- If the hob is electric, gas, or induction, the minimum distance between the same and the lower part of the hood must be at least **45 cm**. If a connection tube composed of two parts is used, the upper part must be placed outside the lower part. Do not connect the cooker hood exhaust to the same conductor used to circulate hot air or for evacuating fumes from other appliances generated by other than an electrical source.
- In the case of assembly of the appliance in the ducted version prepare the hole for evacuation of the air.

• We recommend the use of an air exhaust tube which has the same diameter as the air exhaust outlet hole. If a pipe with a smaller diameter is used, the efficiency of the product may be reduced and its operation may become noisier.

#### Attention!

• Before proceeding with the installation, to be able to move the hood more easily, complete the following operations:

1. if the product purchased is equipped with a **panel for perimeter suction**, disconnect it from the housing as shown in figure 2 - phase 1.
2. Remove the **anti-grease filter** by pulling the handle, as shown in figure 2 - phase 2.
3. If the product is equipped with activated charcoal **filters (X-Y)**, remove them as shown in figure 2 - phase 3.1 or 3.2.
4. Unhook the small **cupola M** as shown in figure 2 - phase 4.

#### Installation

**Attention!** This product is supplied with the air exhaust on the **top side**, however, if your needs require the use of the air exhaust on the **back side** it is possible to prepare it for that before installing the hood. To transform it, complete the phases shown in figure 8.

**-Attention! It is possible to install the hood with the air exhaust on the back side by completing the following operations:**

**remove the metal sheets by striking them with a screw driver figure 8 - phase 1-2.**

**Remove the screws E fastening the motor figure 8 - phase 3, position the motor as shown in figure 8 - phase 4.**

**Take the previously removed screws E and fasten the motor on the back bracket as shown in figure 8 - phase 5.**

**Take the metal sheet F supplied with the product, and close the air exhaust hole of the hood using the 2 screws H figure 8 - phase 5.1**

#### Wall mounting

Trace the bottom side of the hood on the wall. Consider the measurements shown in fig. 3 and minimum distance from the cooking surface.

- Mark and drill the holes, following the measurements shown in fig. 3.
- Fasten the 4 anchors **A** fig. 3.
- Fasten the 2 brackets **C** to the wall using the 2 screws **B** fig. 3.
- Make sure the 2 levelling screws **D** are not tight (fig. 4).
- Take the appliance and hang it on the 2 brackets **C** figure 4 - phase 1.
- Align the appliance horizontally using the two levelling screws **D** figure 4 - phase 2.
- Once the adjustment has been made, fasten the hood permanently using the screws **B** figure 4- phase 3.

- When carrying out the fixing operations, use only screws and screw anchors suited to the type of wall (e.g. reinforced concrete, plasterboard etc.).

If the screws and screw anchors are supplied with the appliance, make sure that they are suited to the type of wall to which the hood must be fixed.

#### • Installation of models without decorative ducts

##### - Extractor hood

- Unclip the canopy **M** and remove the grille **E** (Fig. 5).
  - Pass the power supply cable through the slot in the canopy **M**, as indicated in **Fig. 7A**.
  - Taking the grommet **H**, position it between the power cable and the slot **Fig. 7A**.
  - Connect the flexible hose **L** (not supplied) to the hood, so that it is aligned with the air exhaust outlet.
- If the air exhaust is on top, use Fig. 7 as a guide; otherwise, if it is at the rear, use Fig. 8 as a guide.
- Secure the fairing **M**, taking care to ensure that it is correctly hooked on the securing pins.

##### - Filtering version

- Unhook the small cupola **M** and remove the grille **E** (Fig. 5).
- Pass the power supply cable through the slots of the small cupola **M** as shown in Fig. 6.
- Take the fairlead **H** and position it between the power supply cable and the slot.
- Fasten the small cupola **M** and the grille **E** making sure that it is perfectly hooked on to the fastening pins **G**. (Fig. 6).
- If you find a bracket such as the one indicated in **Fig.9A** or **Fig.10B** included in the product packaging, this should be fixed to the hood using the supplied screws.
- Take the activated charcoal filters and position them in the specific brackets, as shown in figure **9** or **10**.

#### • Optional accessories

This model may have decorative ducts as optional accessories - ask your retailer for information.

Before installing decorative flues it is necessary to remove the small cupola and loosen the 4 screws **B** that lock the fastening pins **G** as shown in Fig.12.

#### • Installation of models with decorative ducts - extractor hood

Make sure the electrical power supply is within the measurements of the decorative connector.

Adjust the width of the support bracket of the top connector (Fig. 11).

Then fix it to the ceiling so that it is on the same axis as the hood using screws **A** and observing the distance from the ceiling shown in (Fig. 11). Connect flange **F** to the air exhaust hole using flexible hose **L** (Fig.12).

Slide the top connector inside the lower duct and place this on the body (Fig. 13).

Pull out the top duct as far as the bracket and secure it using screws **B** (Fig. 11).

To transform the hood from a ducting version into a filtering version, ask your dealer for the charcoal filters and follow the installation instructions.

#### • Recirculation version

##### Please note:

In order to transform the hood from a **extractor hood** into **cooker hood** the carbon filters must be ordered at your retailer as accessory.

We have two different types of Kit, one with extractable carbon filters (Fig.9) and the other one with re-usable carbon

filters (washable). (Fig.10).

Unlike traditional carbon filters, this carbon filter can be washed and reactivated for approximately 12-15 times.

With normal hood use, this filter should be cleaned once every 2-3 months. The filter can be washed into a dishwasher at the highest temperature using a standard dishwasher detergent.

After washing, dry the filter in the oven at 100° C for 10-15 minutes to reactivate it.

The filter will retain its odour-absorbing capacity for three years, after which it will have to be replaced.

- To replace the extractable active carbon filters **X**, pull lever outwards as shown in **Fig.9**

- To replace re-usable carbon filters **Y**, remove the brackets from their seat, pulling them outwards (**Fig.10**).

- If you find a bracket such as the one indicated in **Fig.9A** or **Fig.10B** included in the product packaging, this should be fixed to the hood using the supplied screws.

#### • **Optional**

- It is possible to request an appliance with the "courtesy lights" function.

## USE AND MAINTENANCE

• We recommend that the cooker hood is switched on before any food is cooked. We also recommend that the appliance is left running for 15 minutes after the food is cooked, in order to thoroughly eliminate all contaminated air.

The effective performance of the cooker hood depends on constant maintenance; the anti-grease filter and the active carbon filter both require special attention.

• **The anti-grease filter** is used to trap any grease particles suspended in the air, therefore is subject to saturation (the time it takes for the filter to become saturated depends on the way in which the appliance is used).

- To prevent potential fire hazards, the anti-grease filters should be washed a minimum of every 2 months (it is possible to use the dishwasher for this task).

- After a few washes, the colour of the filters may change. This does not mean they have to be replaced.

If the replacement and washing instructions are not followed, the anti-grease filters may present a fire hazard.

• **The active carbon filters** are used to purify the air which is released back into the room. The filters are not washable or re-usable and must be replaced at least once every four months. The active carbon filter saturation level depends on the frequency with which the appliance is used, the type of cooking performed and the regularity with which the anti-grease filters are cleaned.

• Clean the cooker hood frequently, both inside and outside, using a cloth which has been dampened with denatured alcohol or neutral, **non**-abrasive liquid detergents.

• The light on the cooker hood is designed for use during cooking and not for general room illumination. Extended use of the light reduces the average duration of the bulb.

• If the appliance is equipped with **COURTESY LIGHTS** it is possible to use them for general room lighting for a prolonged amount of time.

#### • **Replacing halogen light bulbs** (Fig. 14A).

To replace the halogen light bulbs B, remove the glass pane C using a lever action on the relevant cracks.

Replace the bulbs with new ones of the same type.

Caution: do not touch the light bulb with bare hands.

#### • **Replacing dichroic lamps** (Fig. 14B).

In order to replace the dichroic lamps, carefully remove the lamp from the lamp holder with the help of a small flat screwdriver or a similar tool. **PLEASE NOTE! In doing this operation, please take care not to scratch the hood.** Replace the bulbs with new ones of the same type.

#### • **Replacing LED lamps** (Fig.14C).

If the appliance version is with **LED** lamps, the intervention of a specialised technician is necessary to replace them.

• **Commands: Luminous** (Fig.15A) the key symbols are explained below:

**A** = LIGHT

**B** = OFF

**C** = SPEED I

**D** = SPEED II

**E** = SPEED III

**F** = AUTOMATIC STOP TIMER - 15 minutes (\*)

• If your appliance is equipped with the **BOOSTER** speed function, start from level **THREE** speed and keeping the button **E** pressed for about 2 seconds, this function activates for about 10 minutes after which it goes back to the previously set speed. When the function is active the LED flashes. To interrupt it before the 10 minutes have expired press key **E** again.

• By pressing key **F** for two seconds (with the hood switched off) the "**clean air**" function is activated. This function switches the appliance on for ten minutes every hour at the first speed. As soon as this function is activated the motor starts up at the first speed for ten minutes. During this time key **F** and key **C** must flash at the same time.

After ten minutes the motor switches off and the LED of key **F** remains switched on with a fixed light until the motor starts up again at the first speed after fifty minutes and keys **F** and **C** start to flash again for ten minutes and so on.

By pressing any key for the exclusion of the hood light the hood will return immediately to its normal functioning (e.g. if key **D** is pressed the "**clean air**" function is deactivated and the motor moves to the 2nd speed straight away. By pressing key **B** the function is deactivated).

(\*) The "**automatic stop timer**" delays stopping of the hood, which will continue functioning for 15 minutes at the operating speed set at the time this function is activated.

#### • **Active carbon/grease filter saturation:**

- When button **A** flashes at a frequency of **2 seconds**, the **grease** filters must be cleaned.

- When button **A** flashes at a frequency of **0.5 seconds**, the **carbon** filters must be replaced.

After the clean filter has been replaced, the electronic memory must be reset by pressing button **A** for approximately **5 seconds**, until the light on the button stops flashing.

**Commands:** (Fig.15B)

**Push-button A** = on/off lights switch

**Push-button B** = switches the motor on/off. The appliance switches on at speed level 1. If the cooker hood is on depress the push-button for 2 sec. to switch off the cooker hood. If the cooker hood is at speed level 1 it will not be necessary to depress the push-button to switch the cooker hood off. Decreases the motor speed.

**Display C** = indicates the motor speed level selected and activates the timer.

**Push-button D** = switches the motor on. Increases the motor speed. Touching the key at 3rd speed, the intensive function

runs for 10', then the appliance go back to work at the original speed. During this function the display blinks.

**Key E** = The Timer times the functions on activation for 15 minutes, after which they are switched off. The Timer is deactivated by re-pressing Key E. When the Timer is activated the decimal point must flash on the display. The Timer cannot be activated if the intensive speed is functioning.

The "clean air" function is activated by pressing key **E** for 2 seconds when the appliance is switched off. This switches the motor on for 10 minutes every hour at the first speed. During functioning a rotary movement of the peripheral segments must be visualised on the display. When this time has passed the motor switches off and the fixed letter "C" must be visualised on the display until the motor re-starts after 50 minutes for another 10 minutes and so on. Press any key apart from the light keys to return to normal functioning. Press key **E** to deactivate the function.

**• Active carbon/grease filter saturation:**

- When display item **C** flashes, at a speed where it alternates with the letter **F** (e.g. 1 and F), the grease filters must be washed.

- When display item **C** flashes, at a speed where it alternates with the letter **A** (e.g. 1 and A), the carbon filters must be replaced.

After the clean filter has been positioned correctly, the electronic memory must be reset by pressing button **A** for approximately 5 seconds, until the indication **F** or **t** shown on the display **C** stops flashing.

**• Commands:** (Fig.16)

**NOTE:** With this control it is possible to manage the appliance also with a remote control to be requested as accessory.

**Power Button (A)** = The button only switches on the MOTOR and not the LIGHTS. If the motor and the lights are on then the button switches off the entire hood (MOTOR - LIGHTS). By pressing the button the motor starts at 1st speed.

**Fan speed Button (B)** = From the **OFF** position, press once for speed 1, twice for the speed 2, and three times for the speed 3. In order to engage the booster speed, press the button for 5 sec., no matter what status the hood is currently in (except for switched off). For each speed only the led indicating the set speed will turn on. The intensive speed is indicated by the flashing of the led indicating speed 3. The duration of the intensive speed is 10 minutes; after this time the hood goes back to the last set speed.

In order to remove the intensive speed press the power button and the hood will switch off, or press the Fan speed button and the speed goes back to the previously set one. Speed of the hood with cyclic trend.

**Light button (C)** = There are three light levels: High, medium, low.

From the off position press once for the high level, twice for the medium level, three times for the low level and four times to turn the lights off.

The level of the lights has a cyclic trend: High, medium, low, off.

**ATTENTION!** This function is only available with halogen lamps and **NOT** with LED lamps.

**Timer button (D)** = With any type of speed (excluding the intensive speed), by pressing the button, the timer function is activated for 15 minutes. After this time has elapsed the hood will turn off (motor and any light on).

If the product purchased is equipped with **optional features** such as the courtesy lights or side spotlights, keep the Timer button pressed for 4 seconds to turn them on. Complete the

same operation to turn them off.

**Lights indicator (E)** = The lights indicator will switch on when the lights are on at any level.

**Antigrease/Active charcoal filter Saturation Warning light (F):**

After **30 hours** of operation the LED of the filters warning light switches on without flashing. This means that the antigrease filters will have to be washed.

In order to switch off the LED is it necessary to reset the function by pressing the fan speed button (**B**) for about 5 seconds while the hood is switched off. Once this operation is complete the setting is reset to zero.

After **120 hours** of operation the LED of the filters warning light switches on and flashes. This means that the active charcoal filters need to be replaced.

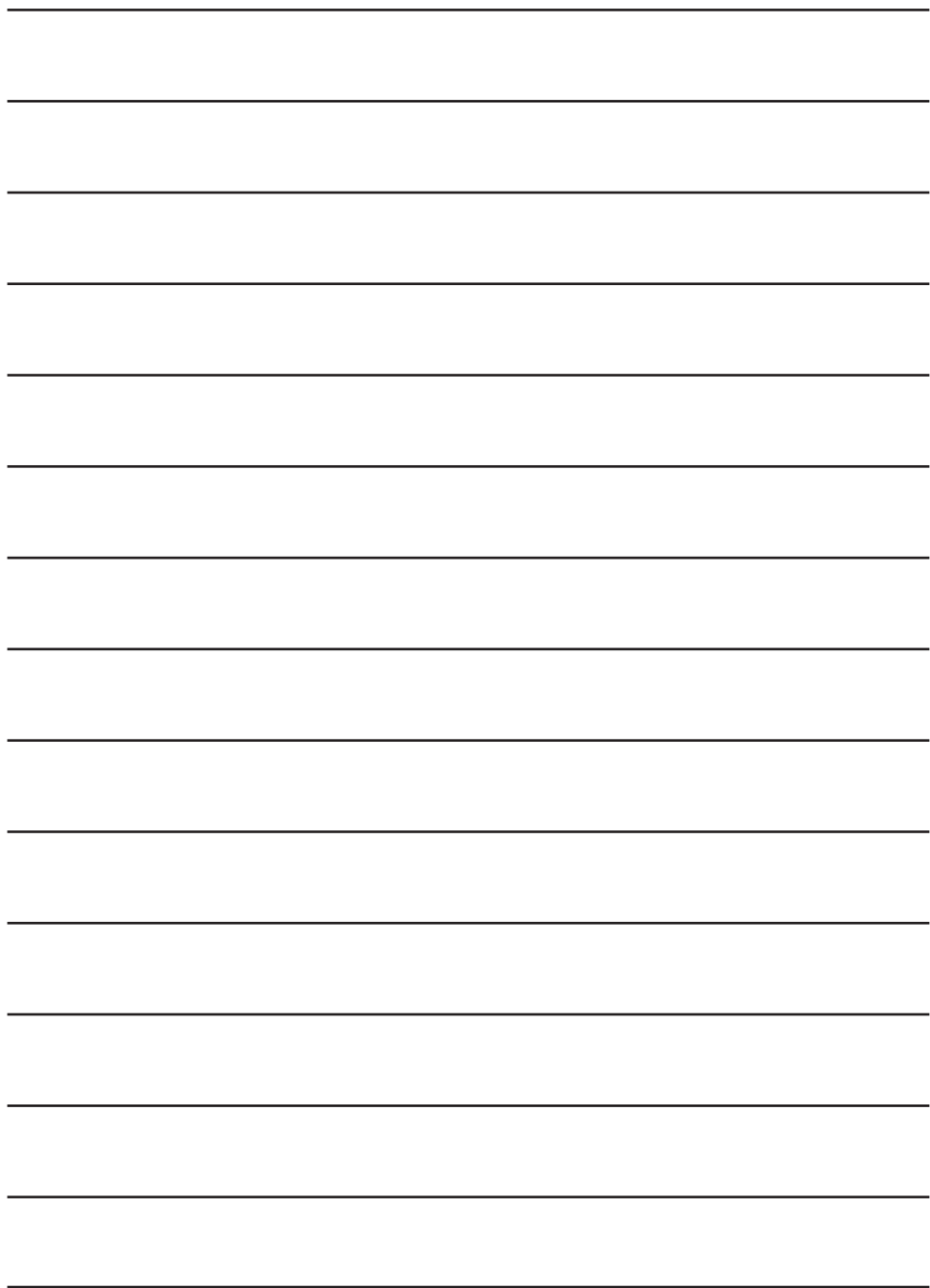
If your model is the suction version, it is sufficient to reset the function.

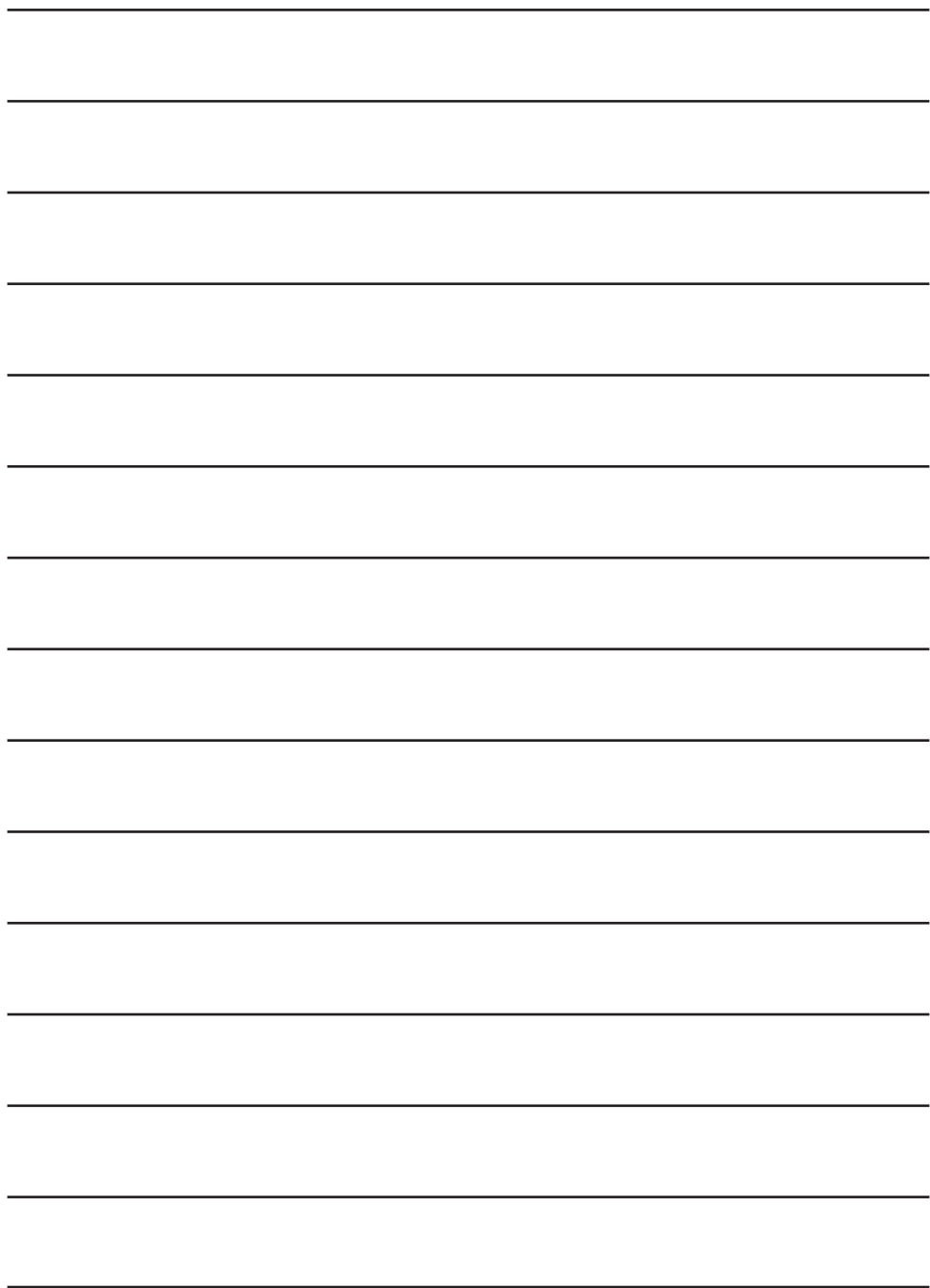
In order to switch off the LED is it necessary to reset the function by pressing the fan speed button (**B**) for about 5 seconds while the hood is switched off. Once this operation is complete, the setting is reset to zero.

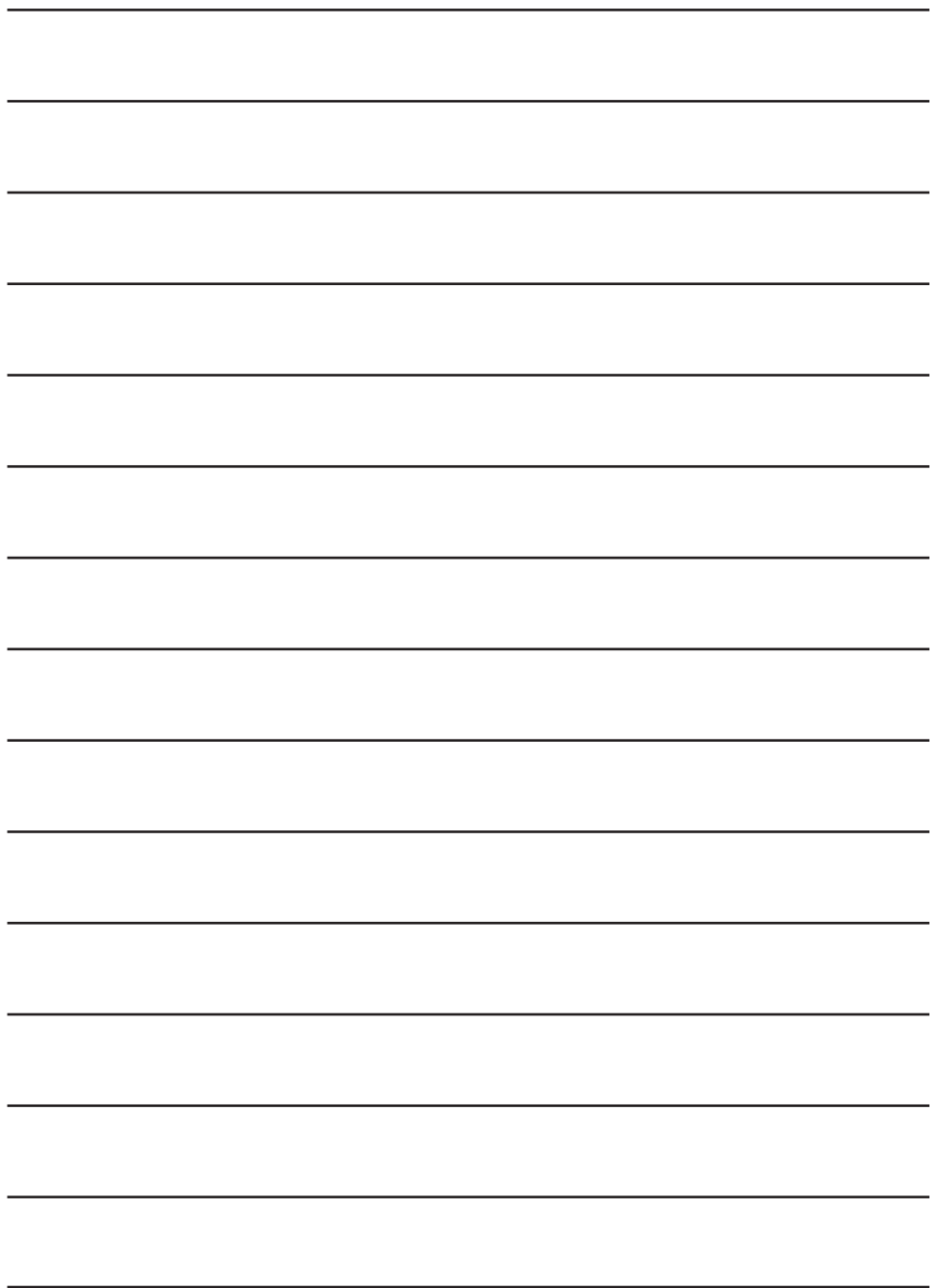
**ATTENTION:** If the product is equipped with regenerative charcoal filters (washable) they do not need to be replaced, just washed; refer to paragraph "1.1 filter version".

**Clean air warning light (G)** = With the hood turned off, pressing the Power button (**A**) for 5 sec. activates the **clean air** function. This switches the motor on at the speed 1 for 10 min. each hour. The warning light turns on and flashes and the speed 1 LED switches on. The remaining 50 min. the warning light stays on. The function deactivates by pressing any button except for the ones for the lights.

**THE MANUFACTURER DECLINES ALL RESPONSIBILITY FOR EVENTUAL DAMAGES CAUSED BY BREACHING THE ABOVE WARNINGS.**









3LIK0754