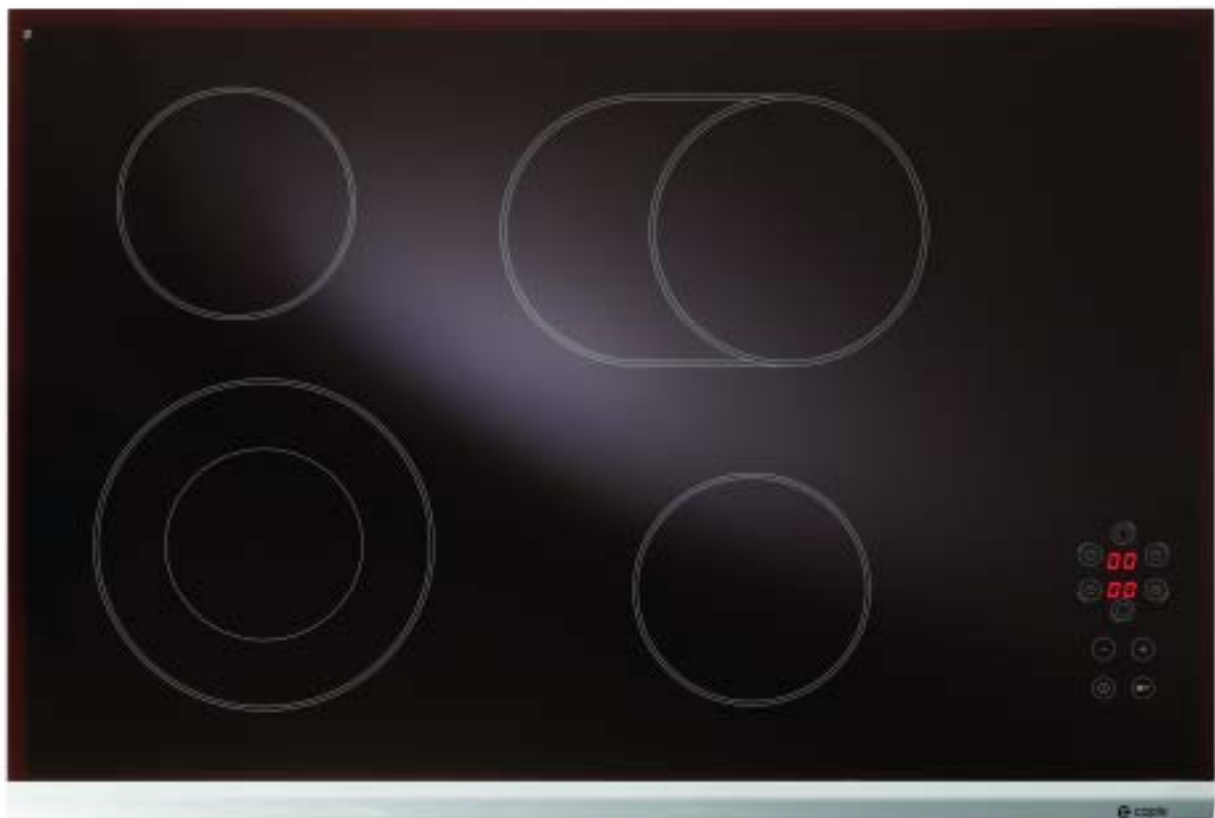




C822C

Caple 77cm Touch Control Ceramic
(stainless steel front trim)



TECHNICAL INFORMATION



**WARNING:
IMPORTANT INFORMATION FOR THE INSTALLER**

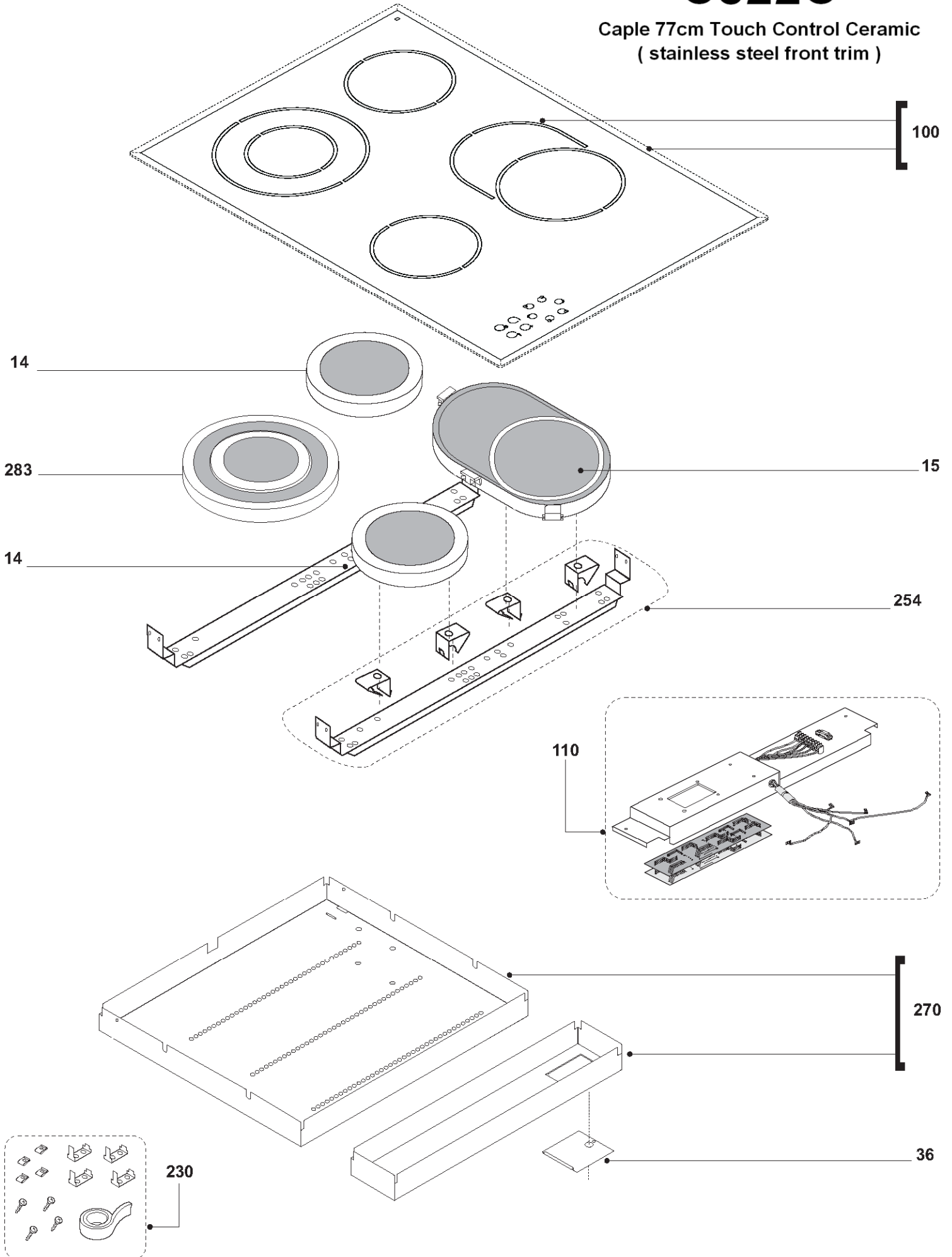
This product should only be installed by a qualified electrician.

The power flex should be heat resistant 2.5mm².

The circuit should be protected by a 20amp circuit breaker / mcb

C822C

Caple 77cm Touch Control Ceramic
(stainless steel front trim)



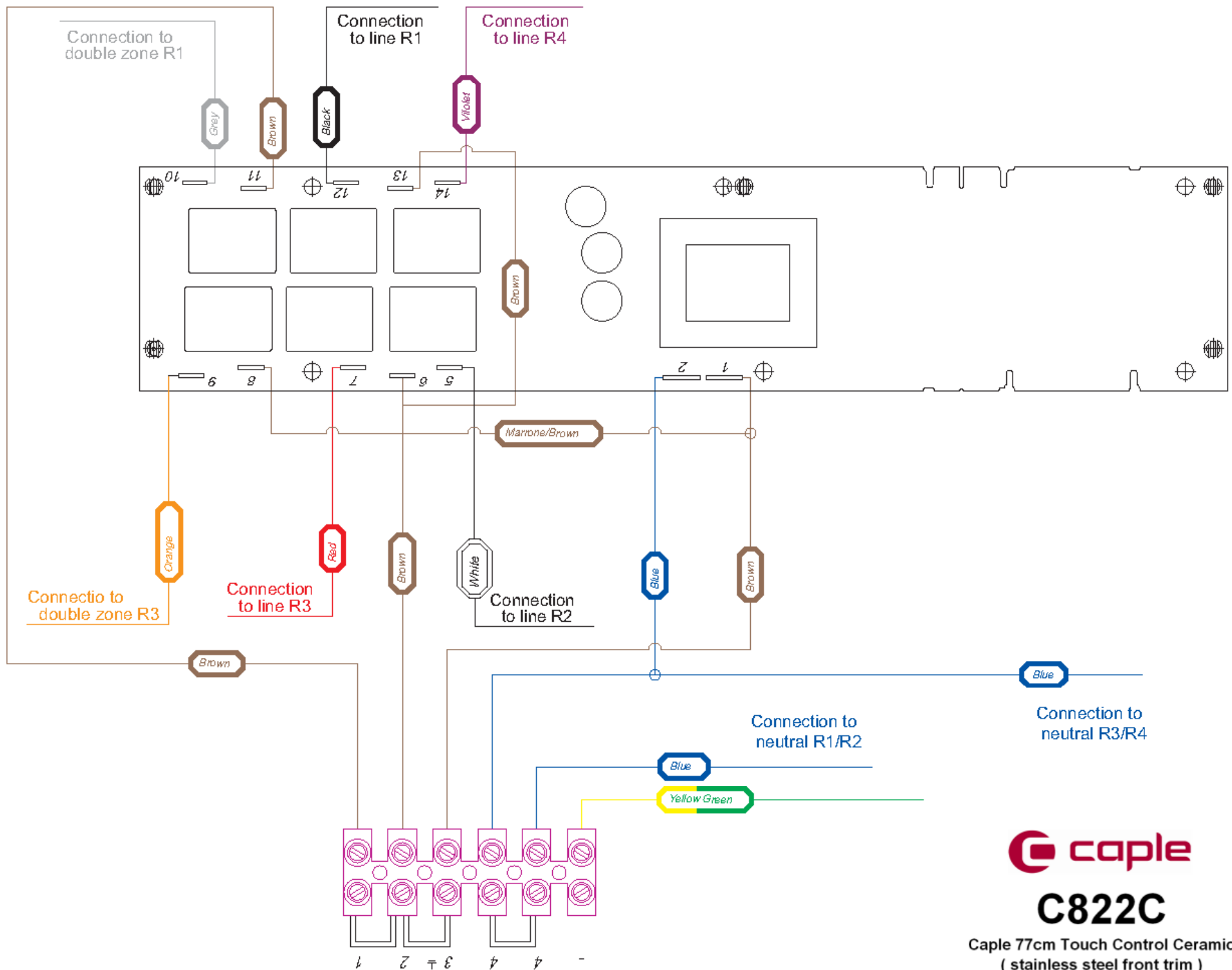


C822C

Caple 77cm Touch Control Ceramic
(stainless steel front trim)

SPARE PARTS LIST

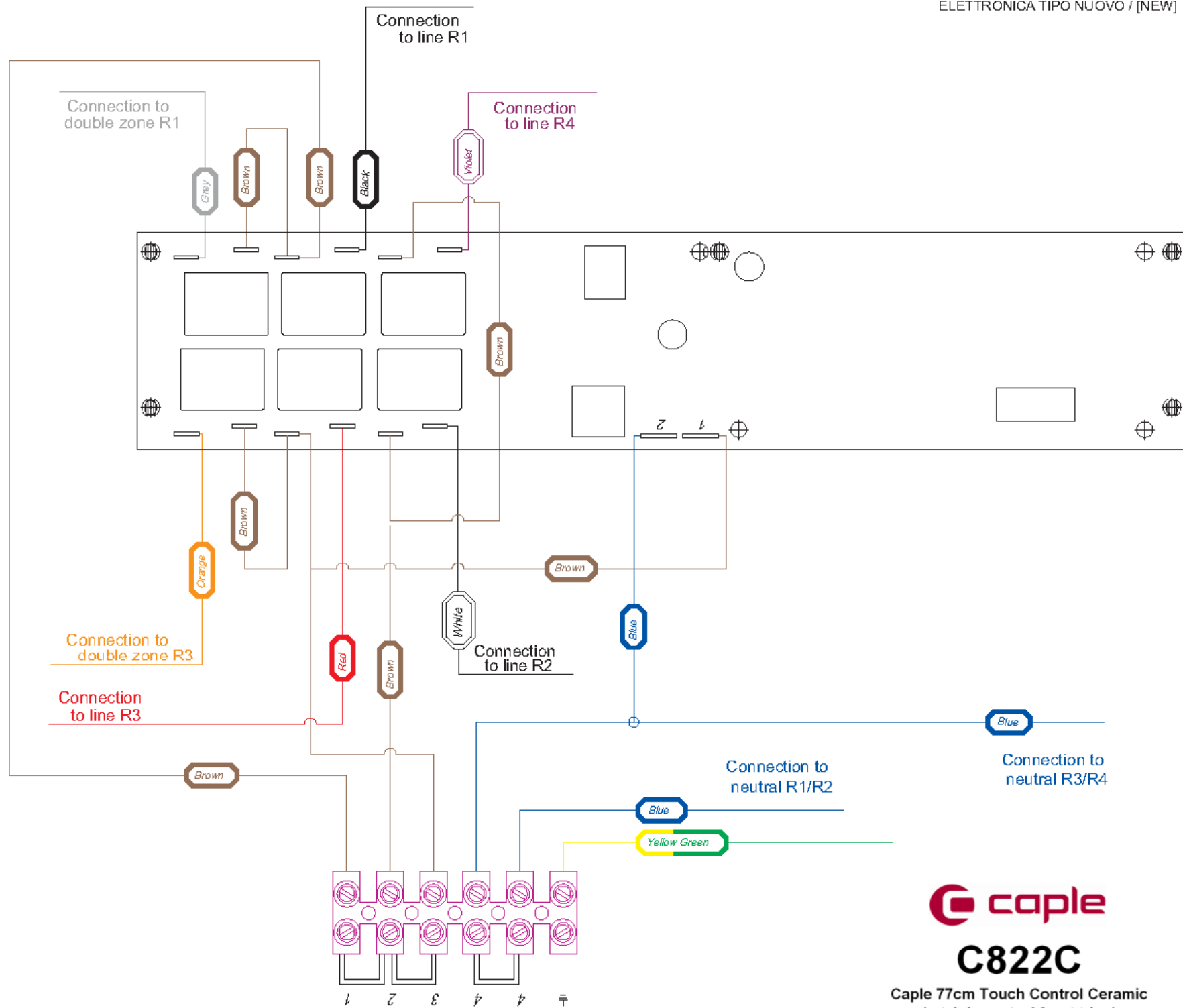
ITEM	CODE	DESCRIPTION
14	00EL0145V01	HI-LIGHT HEATING ELEMENT 145 1200W
15	00EL0220VM0	HI-LIGHT OVAL HEATING EL DUBLE ZONE OV. 2200 W
36	00EL0036000	ZINC-PLATED CABLE COVER FOR CLAMP PR/PE
100	SPP0512	ASS A107427 ASS VET PE 75 A V E2 T SE (FRIAC)
110	SPP0220	WIRING
230	00EL0230000	ACCESSORIES KIT
254	00EL0254000	HEATI. ELEME. FIXI. BRACKET + N.4 HEATI. ELEM. FIXIN
270	SPP0242	TANK
283	00EL0283V00	HI-LIGHT HEATING ELEMENT DOBLE ZONE 210/2100W



caple

C822C

Caple 77cm Touch Control Ceramic
(stainless steel front trim)



C822C

Caple 77cm Touch Control Ceramic
(stainless steel front trim)