



C812C

Caple 60cm Touch Control Ceramic
(stainless steel front trim)



TECHNICAL INFORMATION



**WARNING:
IMPORTANT INFORMATION FOR THE INSTALLER**

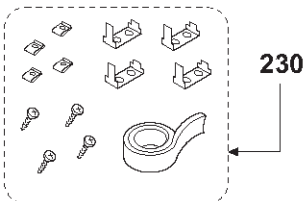
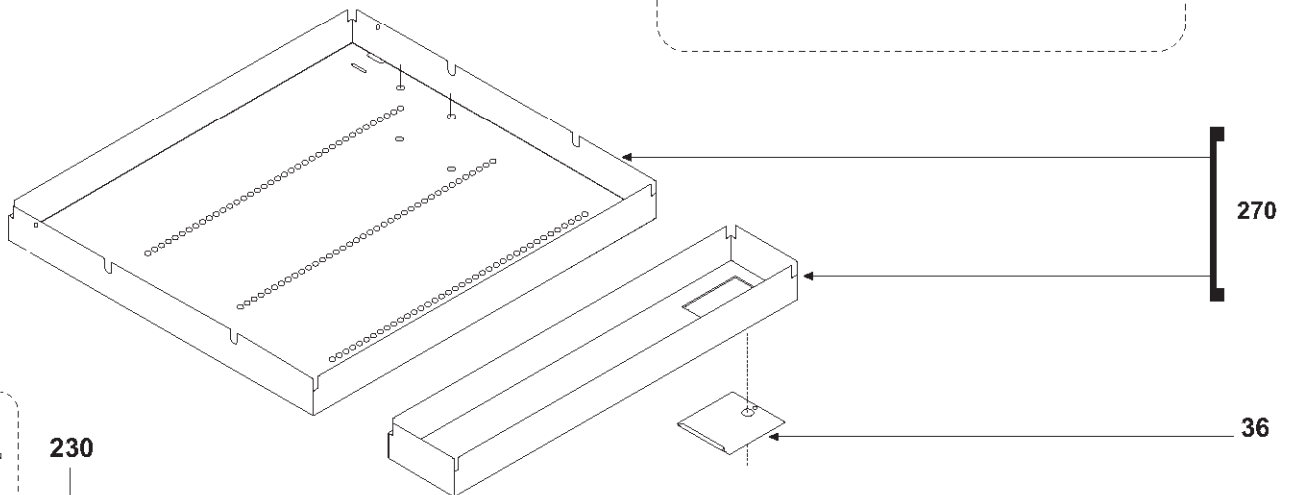
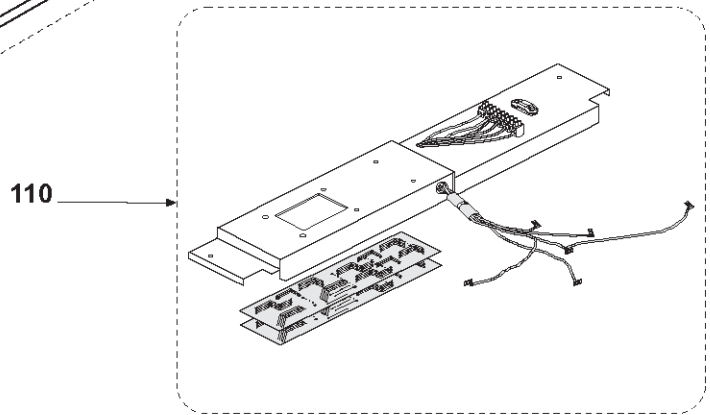
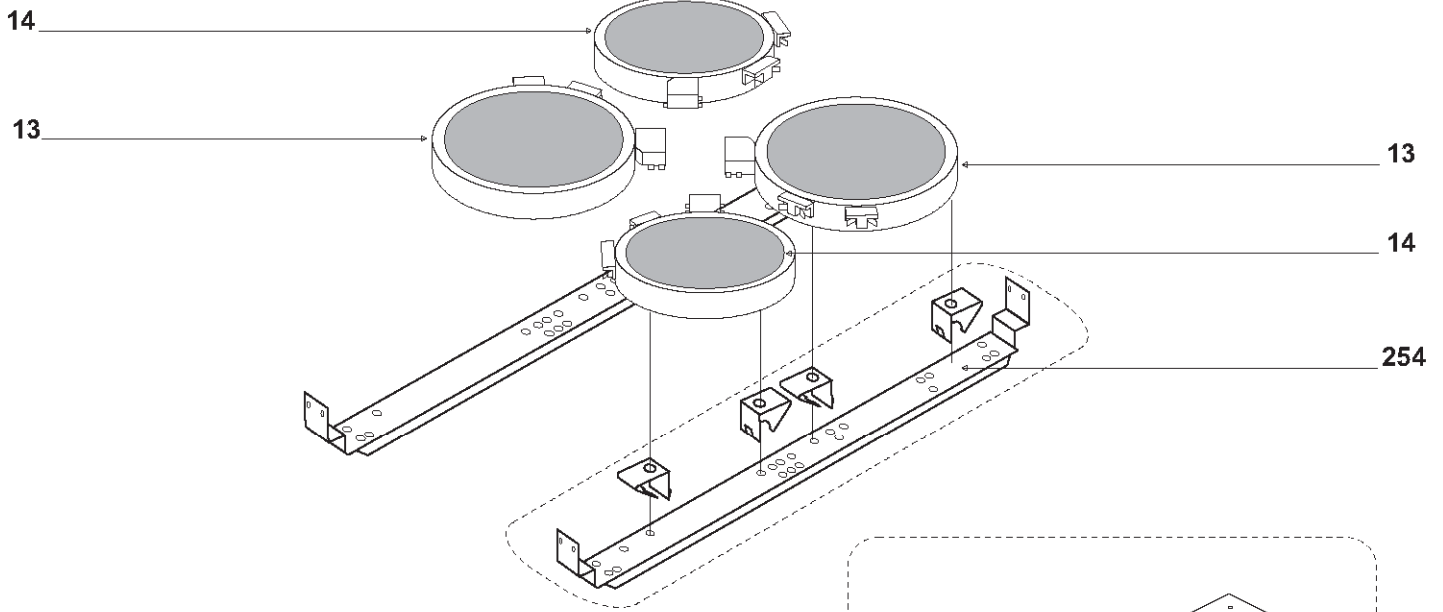
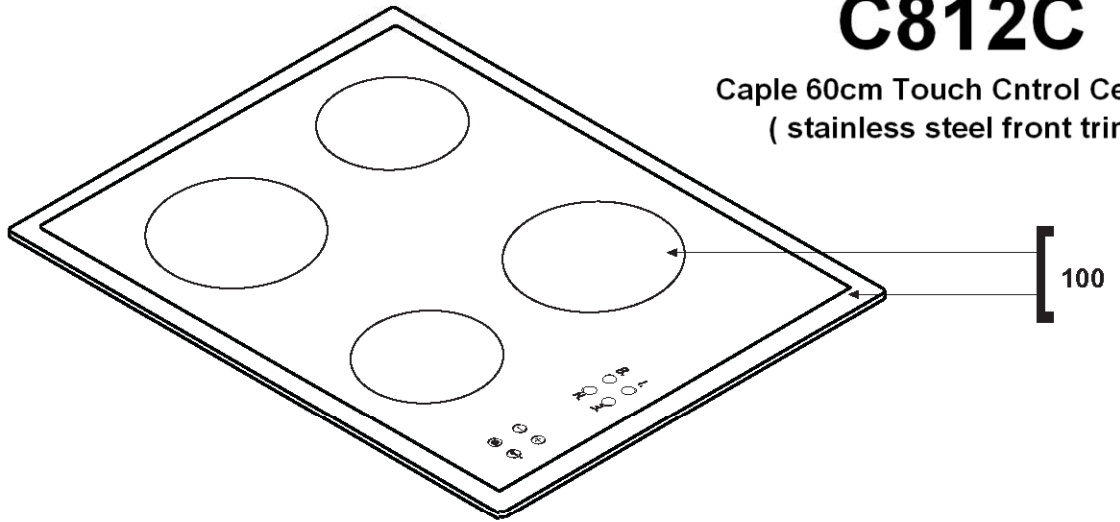
This product should only be installed by a qualified electrician.

The power flex should be heat resistant 2.5mm².

The circuit should be protected by a 20amp circuit breaker / mcb

C812C

Caple 60cm Touch Cntrl Ceramic
(stainless steel front trim)





C812C

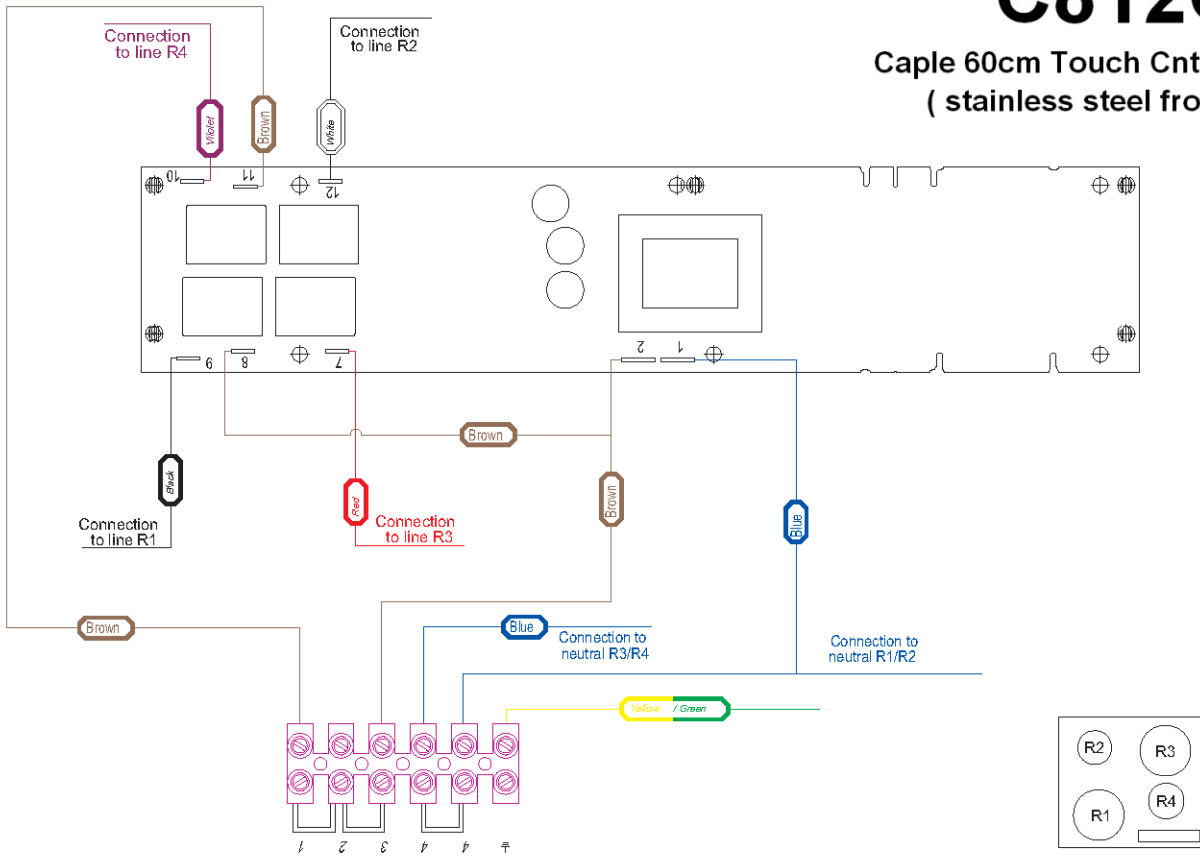
Caple 60cm Touch Control Ceramic
(stainless steel front trim)

SPARE PARTS LIST

| ITEM | CODE | DESCRIPTION |
|------|-------------|---|
| 13 | 00EL0180V01 | HI-LIGHT HEATING ELEMENT 180 1800W |
| 14 | 00EL0145V01 | HI-LIGHT HEATING ELEMENT 145 1200W |
| 36 | 00EL0036000 | ZINC-PLATED CABLE COVER FOR CLAMP PR/PE |
| 100 | SPP0475 | ASS A104982 ASS VET PE 58 A V E0 - - SE --- |
| 110 | SPP0240 | WIRING |
| 230 | 00EL0230001 | ACCESSORIES KIT "F" |
| 254 | 00EL0254000 | HEATI. ELEME. FIXI. BREACKET + N.4 HEATI. ELEM. FIXIN |
| 270 | SPP0242 | TANK |

C812C

Caple 60cm Touch Cntrl Ceramic
(stainless steel front trim)



ELETTRONICA TIPO NUOVO / (NEW)

