

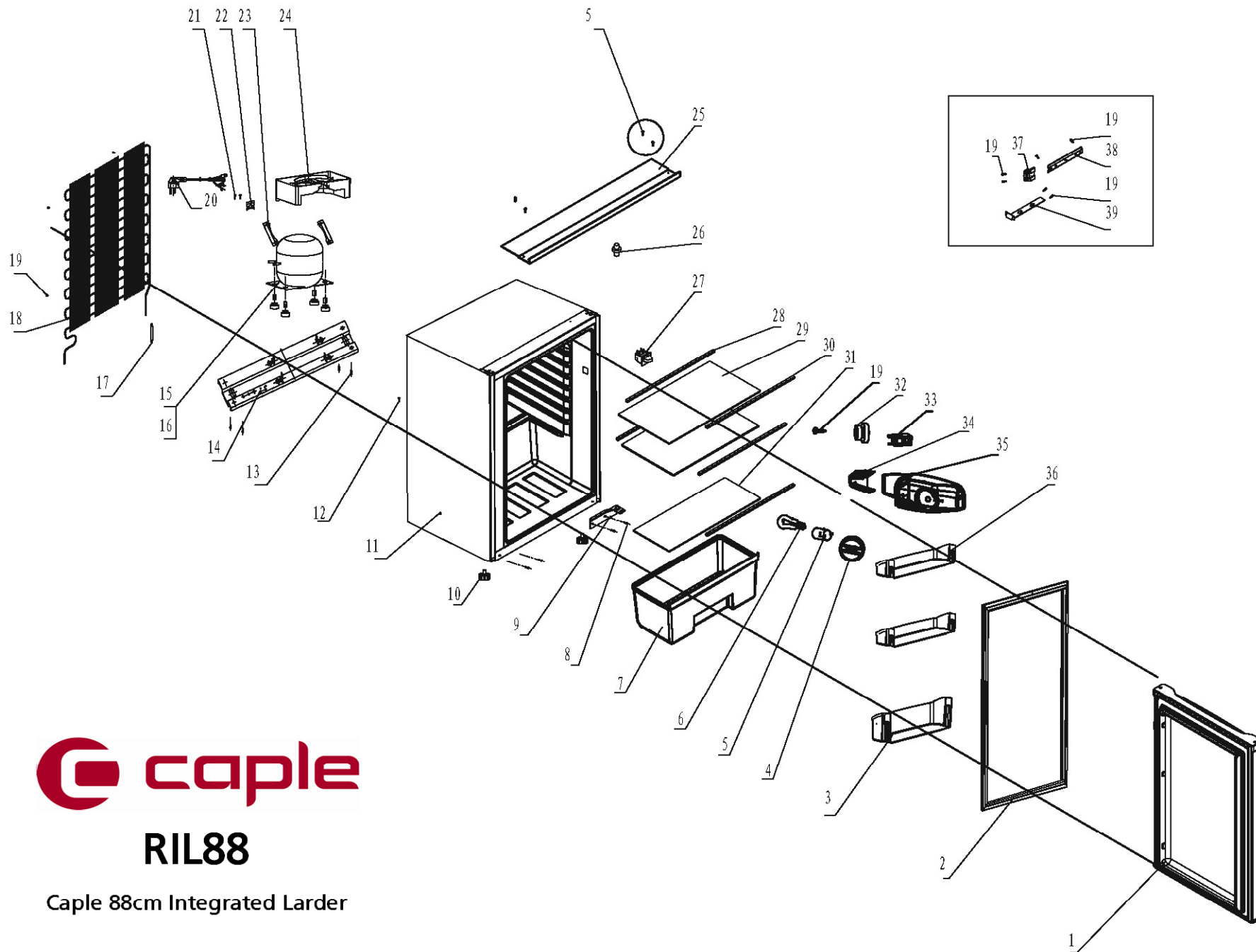


# RIL88

Caple 88cm Integrated Larder



Technical information



**RIL88**

Caple 88cm Integrated Larder



## RIL88 - Caple 88cm Integrated Larder

Item	Part Code	Description	Quantity
1	2.01.R0TQ02-110	Foamed Door	1
2	1.39.200102-110	Door Gasket	1
3	1.06.TQ0871-015	Door rack	1
4	1.06.TQ0313-010	Thermostat knob	1
5	1.30.2X1201-000	Lamp holder	1
6	1.30.1X110X-000	Lamp blub灯泡	1
7	1.06.TQ2370-015	Crisper Cover	1
8	1.13.G50130-104	Flange Screw	6
9	1.11.03105TQ-01	Lower hinge	1
10	1.06.TQ2170-110	Adjustable foot	2
11	2.00.TQ020033-0	Foamed Cabinet	1
12	1.13.C40080-106	Grounding screw	2
13	1.13.G50200-104	Flange Screw	4
14	1.11.04110TQ-01	Compressor Base	1
15	1.10.12100E-2XX	Compressor Base	1
17	1.46.0400TQ-001	Drier Filter	1
18	1.09.3651TQ-110	Condensor	1
19	1.12.B39160-AB7	Self Tapping Screw	18
20	1.28.DD2024-010	Power Supply Cord	1
21	1.13.Y40160-104	Y type ScrewY	2
22	1.06.TQ2780-041	Clip of Power Supply Cord	1
23	1.11.30069TQ-02	Stator	2
24	1.06.TQ4421-051	Water disposal pan	1
25	1.11.17105TQ-02	The hinge plate	1
26	1.11.83110TQ-01	The hinge axis	1
27	1.29.11A201-000	Lamp switch	1
28	1.06.TQ1910-106	Shelf front liner	3
29	1.42.20TQ39-110	Shelf Glass	3
30	1.06.TQ1911-106	Shelf back liner	3
31	1.42.31TQ39-110	Crisper Cover	1
32	1.06.TQ5570-001	Fixed Part	1
33	1.32.2611X0-2TQ	Thermostat	1
34	1.06.TQ4770-010	Lamp shade	1
35	1.06.TQ4676-010	Thermostat enclosure	1
36	1.06.TQ0671-015	Door rack	2
37	1.06.TQ9G80-105	Connecting Block	2
38	1.11.76105TQ-01	Plate for connecting	2
39	1.11.82105TQ-01	Connecting pin	1

# RIL88

Cape 88cm Integrated Larder

