



RIF892

Caple 88cm Integrated Freezer

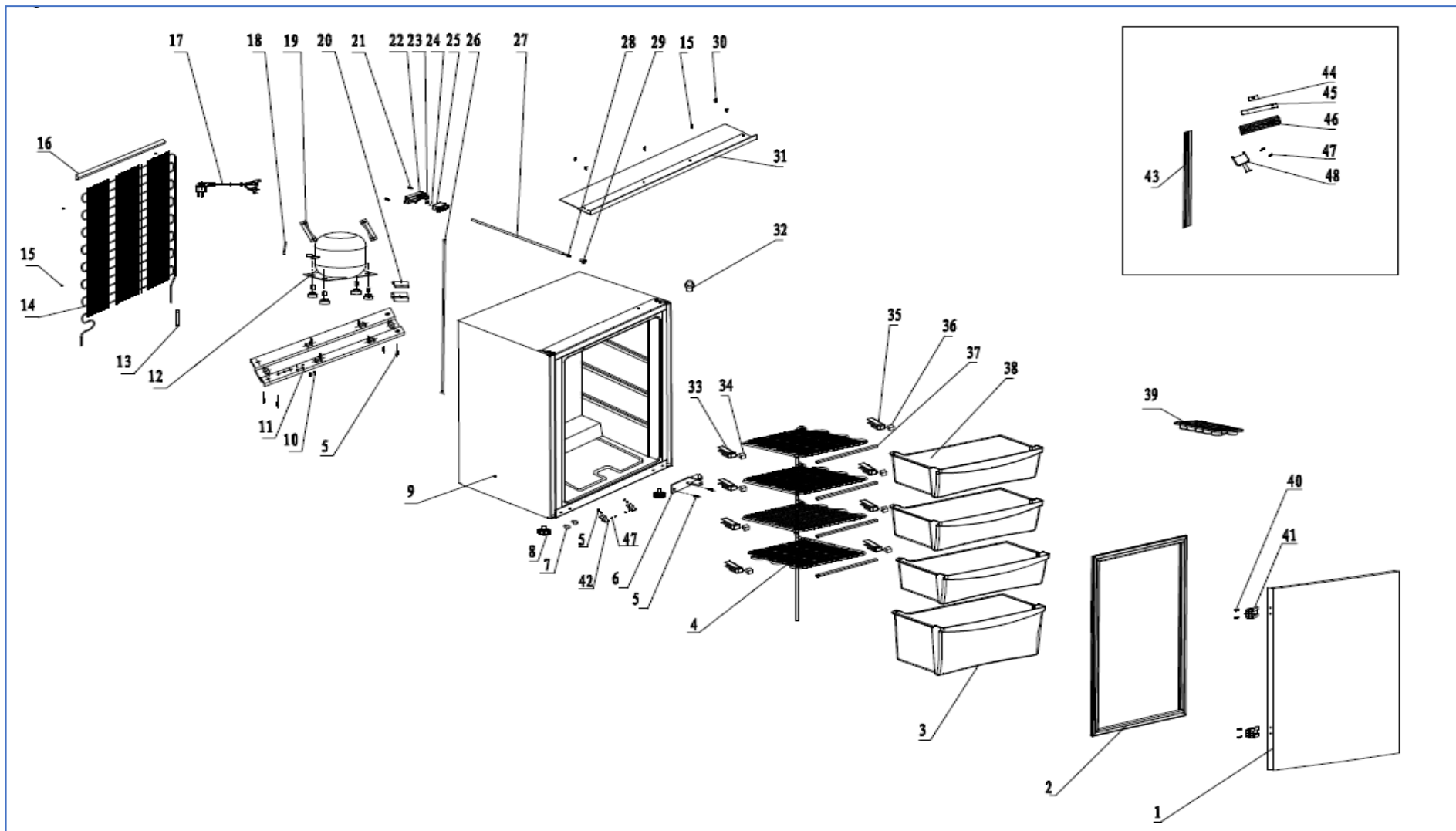


Technical Manual



RIF892

Caple 88cm Integrated Freezer





RIF892

Caple 88cm Integrated Freezer

Item	Part Number	Description	Quantity
1	2.01.R2TQ02-116	Foamed Door	1
2	1.39.201102-110	Door Gasket	1
3	1.03.312039-041	Bottom drawer	1
4	1.08.21TQ01-116	Evaporator	1
5	1.13.M50130-104	Flange screw	6
6	1.11.03110TQ-03	Lower hinge	1
7	1.06.TQ2620-142	Screw hole plug	2
8	1.06.TQ2170-110	Adjustable feet	2
9	2.00.TQ020034-21	Foamed Cabinet	1
10	1.13.C40080-106	Grounding screw	2
11	1.11.04110TQ-01	Compressor Base	1
12	1.10.12133E-5XX	Compressor	1
13	1.46.0400TQ-013	Dryer assembly	1
14	1.09.3651TQ-110	Condenser	1
15	1.12.B42160-AB4	Self tapping screw	6
16	1.06.TQ9591-117	Condenser trim	1
17	1.28.BD2004-018	Power Supply Cord	1
18	2.20.B2TQ00-000	Charging pipe	1
19	1.11.30069TQ-07	Compressor support fixer	2
20	1.06.TQ2780-041	Power cord fixer	1
21	1.12.M39120-AB4	Self Tapping Screw	2
22	1.06.TQ7320-116	Thermostat box lid	1
23	1.06.TQ9U90-116	Clip of interior power Supply Cord	1
24	1.12.F29013-AB4	Self Tapping Screw	2
25	1.32.2711D5-2TQ	Thermostat	1
26	1.36.DTQ113-116	Cable	1
27	1.06.TQ9090-116	Thermostat rotating shaft	1
28	1.06.TQ9010-116	Thermostat connector	1
29	1.06.TQ0311-018	Thermostat knob	1
30	1.13.M05016-104	Flange screw	4
31	2.24.0710502-01	Upper hinge plate	1
32	1.11.83110TQ-01	Upper hinge axis	2
33	1.06.TQ1671-105	Left stopper	4
34	1.06.TQ1670-105	Left stopper clip	4
35	1.06.TQ1771-105	Right stopper	4
36	1.06.TQ1770-105	Right stopper clip	4
37	1.06.TQ3391-116	Evaporator liner	4
38	1.03.210139-041	The top drawer	3



RIF892

Caple 88cm Integrated Freezer

Item	Part Number	Description	Quantity
39	1.46.1402TQ-002	Ice box	1
40	1.12.M39120-AB4	Self tapping screw	4
41	1.06.TQ9G80-111	Bracket of slider	2
42	1.11.811111TQ-01	Bottom fixing bracket	2
43	1.06.TQ1190-122	Ornament	1
44	1.06.TQ9380-111	Bracket screw cap	2
45	1.06.TQ9381-111	Slider screw cap	2
46	1.06.TQ9382-111	Slider	2
47	1.12.M39120-MS4	Self tapping screw	14
48	1.06.TQ3621-111	Bottom fixing bracket cover	2