



RIF89

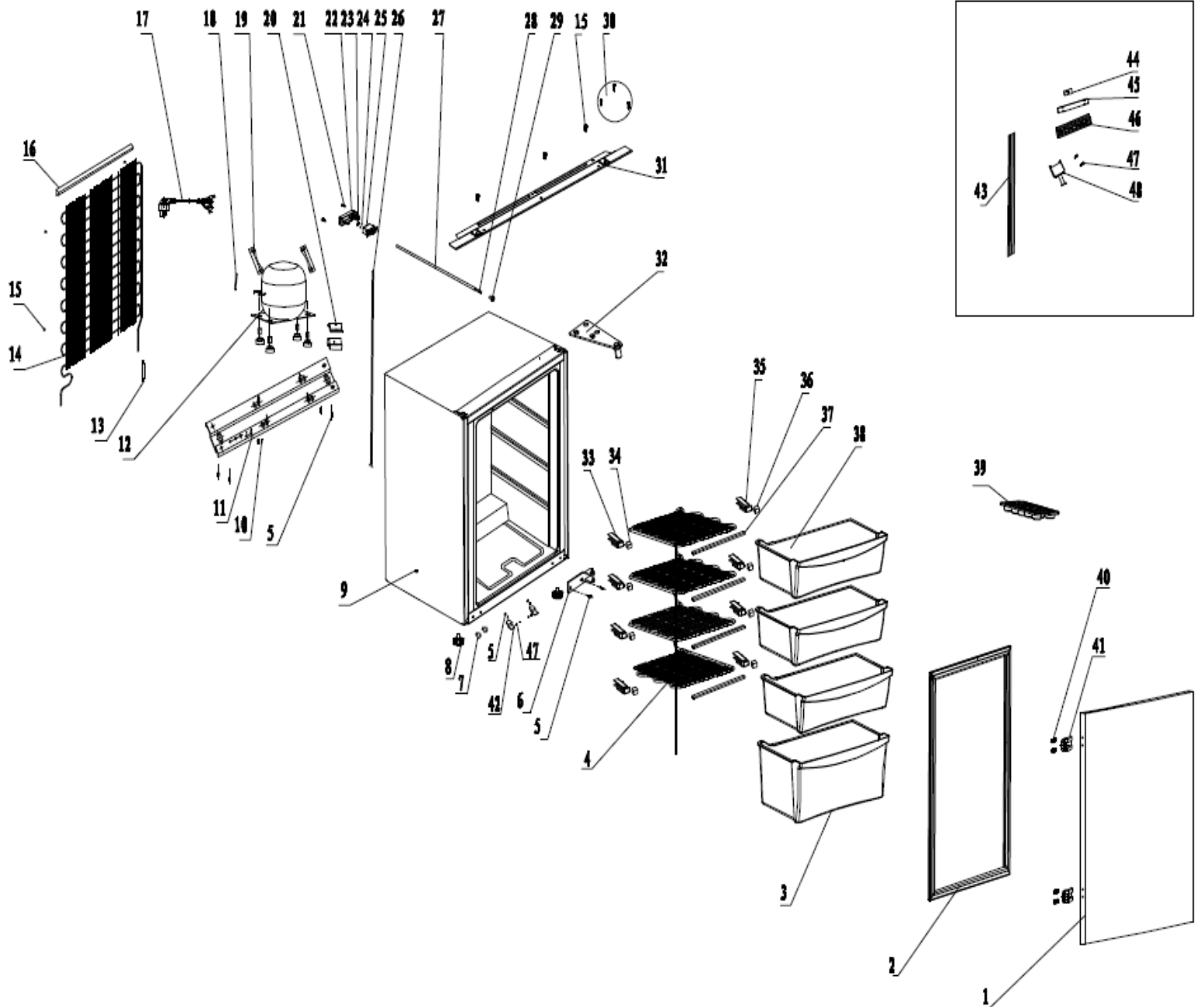
Caple 88cm Integrated Freezer
Serial Number Post March 2019



Technical information

RIF89

Caple 88cm integrated freezer
Serial number Post March 2019





RIF89

Caple 88cm integrated freezer

Serial number Post March 2019

Item	Part Number	Description	Quantity
1	2.01.R2TQ02-116	Foamed Door	1
2	1.39.201102-110	Door Gasket	1
3	1.03.312039-041	Bottom drawer	1
4	1.08.21TQ01-116	Evaporator	1
5	1.13.M50130-104	Flange screw	6
6	1.11.03110TQ-03	Lower hinge	1
7	1.06.TQ2620-142	Screw hole plug	2
8	1.06.TQ2170-110	Adjustable feet	2
9	2.00.TQ020034-21	Foamed Cabinet	1
10	1.13.C40080-106	Grounding screw	2
11	1.11.04110TQ-01	Compressor Base	1
12	1.10.12100E-4XX	Compressor	1
13	1.46.0400TQ-013	Dryer assembly	1
14	1.09.3651TQ-110	Condenser	1
15	1.12.M39120-AB4	Self tapping screw	3
16	1.06.TQ9591-117	Condenser trim	1
17	1.28.BD2004-018	Power Supply Cord	1
18	2.20.B2TQ00-000	Charging pipe	1
19	1.11.30069TQ-07	Compressor support fixer	2
20	1.06.TQ2780-041	Power cord fixer	1
21	1.12.M39120-AB4	Self tapping Screw	2
22	1.06.TQ7320-116	Thermostat box lid	1
23	1.06.TQ9U90-116	Clip of interior power Supply Cord	1
24	1.12.F29013-AB4	Self Tapping Screw	2
25	1.32.2711D5-2TQ	Thermostat	1
26	1.36.DTQ113-116	cable	1
27	1.06.TQ9090-116	Thermostat rotating shaft	1
28	1.06.TQ9010-116	Thermostat connector	1
29	1.06.TQ0311-018	Thermostat knob	1
30	1.13.M05016-104	Flange screw	3
31	1.11.17160TQ-02	Upper hinge plate	1
32	1.11.01160TQ-01	Upper hinge	2
33	1.06.TQ1671-105	Left stopper	4
34	1.06.TQ1670-105	Left stopper clip	4
35	1.06.TQ1771-105	Right stopper	4



RIF89

Caple 88cm integrated freezer

Serial number Post March 2019

Item	Part Number	Description	Quantity
36	1.06.TQ1770-105	Right stopper clip	4
37	1.06.TQ3391-116	Evaporator liner	4
38	1.03.210139-041	The top drawer	3
39	1.46.1402TQ-002	Ice box	1
40	1.12.M39120-AB4	Self tapping screw	4
41	1.06.TQ9G80-111	Bracket of slider	2
42	1.11.81111TQ-01	Bottom fixing bracket	2
43	1.06.TQ1190-122	Ornament	1
44	1.06.TQ9380-111	Bracket screw cap	2
45	1.06.TQ9381-111	Slider screw cap	2
46	1.06.TQ9382-111	Slider	2
47	1.12.M39120-MS4	Self tapping screw	14
48	1.06.TQ3621-111	Bottom fixing bracket cover	1



RIF89

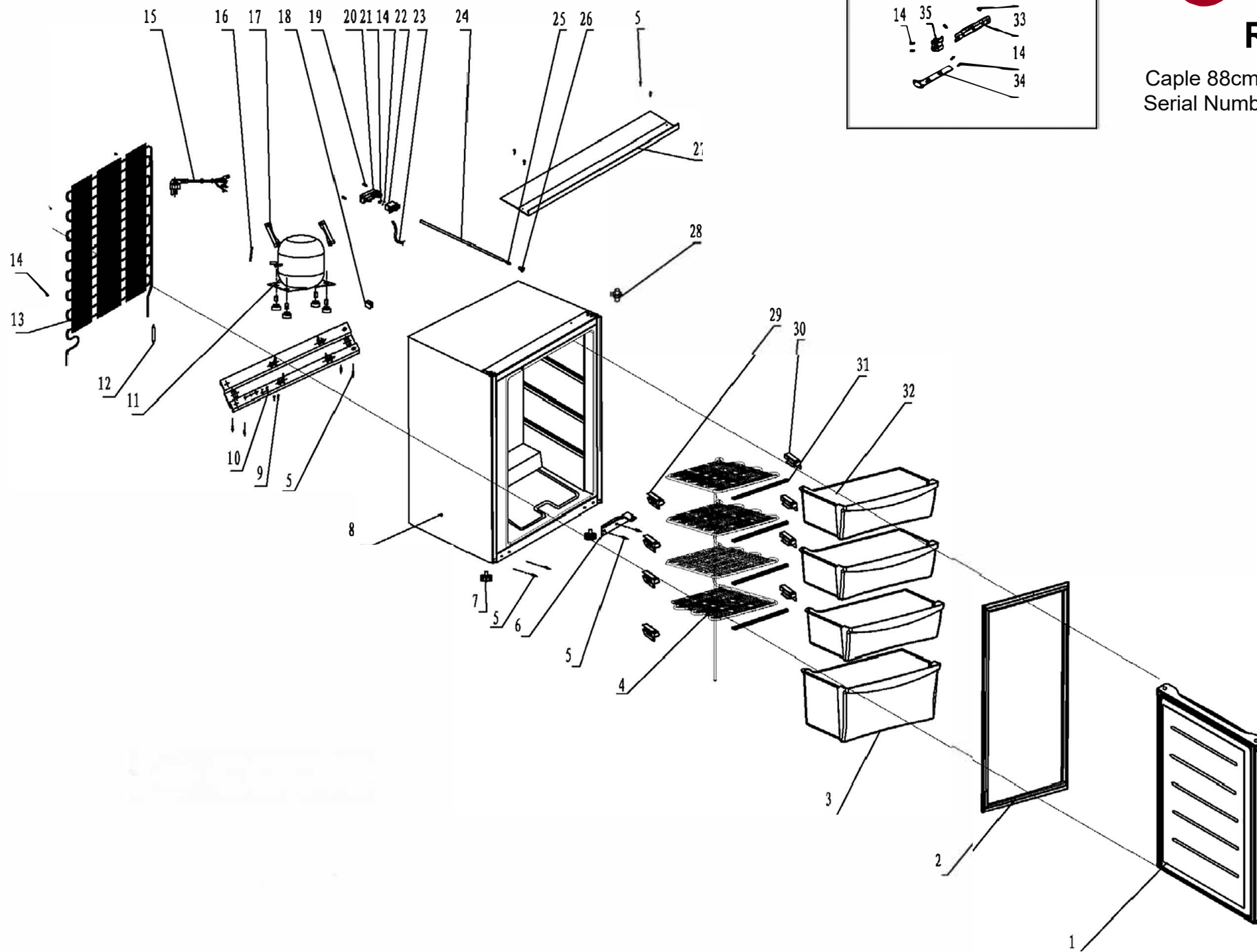
**Caple 88cm Integrated Freezer
Serial Number Pre March 2019**



Technical information

RIF89

Caple 88cm integrated freezer
Serial Number Pre March 2019





RIF89 - Caple 88cm Integrated Freezer

Serial Number Pre March 2019

Item	Part Code	Description	Qty
1	2.01.R0TQ02-116	Foamed Door	1
2	1.39.200102-110	Door Gasket	1
3	1.03.312042-041	The bottom drawer	1
4	1.08.21TQ00-116	Evaporator trim	1
5	1.13.G50130-104	Flange Screw	12
6	1.11.03110TQ-02	Lower hinge	1
7	1.06.TQ2170-110	Adjustable foot	2
8	2.00.TQ020034-0	Foamed Cabinet	1
9	1.13.C40080-106	Grounding screw	2
10	1.11.04110TQ-01	Compressor Base	1
11	1.10.12100E-2XX	Compressor	1
12	1.46.0400TQ-013	Drier Filter	1
13	1.09.3651TQ-110	Condenser	1
14	1.12.B39160-AB7	Self Tapping Screw	12
15	1.28.DD2024-018	Power Supply Cord	1
16	2.20.B1TQ00-000	charging tube	1
17	1.11.30069TQ-02	Compressor stator	2
18	1.06.TQ2780-041	Clip of Power Supply Cord	1
19	1.12.F29013-AB4	Self Tapping Screw	2
20	1.06.TQ7320-116	Thermostat cover	1
21	1.06.TQ9U90-116	Clip of interior power Supply Cord	1
22	1.32.2721X2-1TQ	Thermostat	1
23	1.36.DTQ100-008	Internal cable	1
24	1.06.TQ9O90-116	Thermostat rotating shaft	1
25	1.06.TQ9O20-116	Thermostat connector	1
26	1.06.TQ0311-018	Temp.control knob	1
27	1.11.17105TQ-02	The hinge plate	1
28	1.11.83110TQ-01	The hinge axis	1
29	1.06.TQ1670-041	Left limited block	4
30	1.06.TQ1770-041	Right limited block	4
31	1.06.TQ3391-116	Evaporator trim	4
32	1.03.110042-041	The top drawer	3
33	1.11.76105TQ-01	Connectinig plate	2
34	1.11.82105TQ-01	Connecting pin	2
35	1.06.TQ9G81-105	Connecting Block	2