

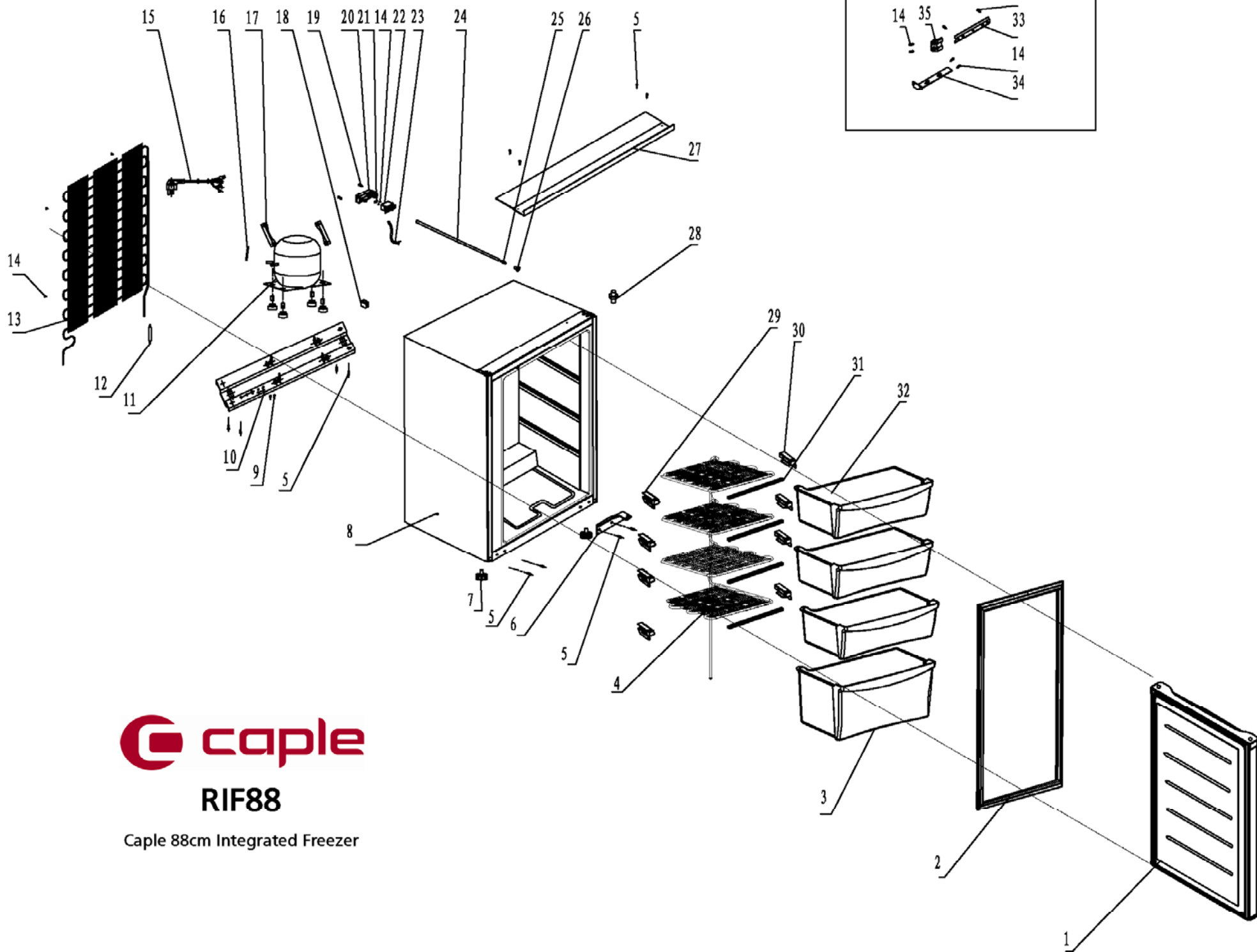


RIF88

Caple 88cm Integrated Freezer



Technical information



caple

RIF88

Caple 88cm Integrated Freezer



RIF88 - Caple 88cm Integrated Freezer

Item	Part Code	Description	Quantity
1	2.01.R0TQ02-116	Foamed Door	1
2	1.39.200102-110	Door Gasket	1
3	1.03.312042-041	The bottom drawer	1
4	1.08.21TQ00-116	Evaporator trim	1
5	1.13.G50130-104	Flange Screw	12
6	1.11.03105TQ-01	Lower hinge	1
7	1.06.TQ2170-110	Adjustable foot	2
8	2.00.TQ020034-0	Foamed Cabinet	1
9	1.13.C40080-106	Grounding screw	2
10	1.11.04110TQ-01	Compressor Base	1
11	1.10.12100E-2XX	Compressor	1
12	1.46.0400TQ-001	Drier Filter	1
13	1.09.3651TQ-110	Condenser	1
14	1.12.B39160-AB7	Self Tapping Screw	12
15	1.28.DD2024-018	Power Supply Cord	1
16	1.46.0500TQ-002	charging tube	1
17	1.11.30069TQ-02	Compressor stator	2
18	1.06.TQ2780-041	Clip of Power Supply Cord	1
19	1.12.F29013-AB4	Self Tapping Screw	2
20	1.06.TQ7320-116	Thermostat cover	1
21	1.06.TQ9U90-116	Clip of interior power Supply Cord	1
22	1.32.2721X2-1TQ	Thermostat	1
23	1.36.DTQ100-008	Internal cable	1
24	1.06.TQ9O90-116	Thermostat rotating shaft	1
25	1.06.TQ9O20-116	Thermostat connector	1
26	1.06.TQ0311-018	Temp.control knob	1
27	1.11.17105TQ-02	The hinge plate	1
28	1.11.83110TQ-01	The hinge axis	1
29	1.06.TQ1670-041	Left limited block	4
30	1.06.TQ1770-041	Right limited block	4
31	1.06.TQ3391-116	Evaporator trim	4
32	1.03.110042-041	The top drawer	3
33	1.11.76105TQ-01	Connectinig plate	2
34	1.11.82105TQ-01	Connecting pin	2
35	1.06.TQ9G81-105	Connecting Block	2

RIF88

Caple 88cm Integrated Freezer

