



# RIF123

Caple 122cm Integrated Freezer

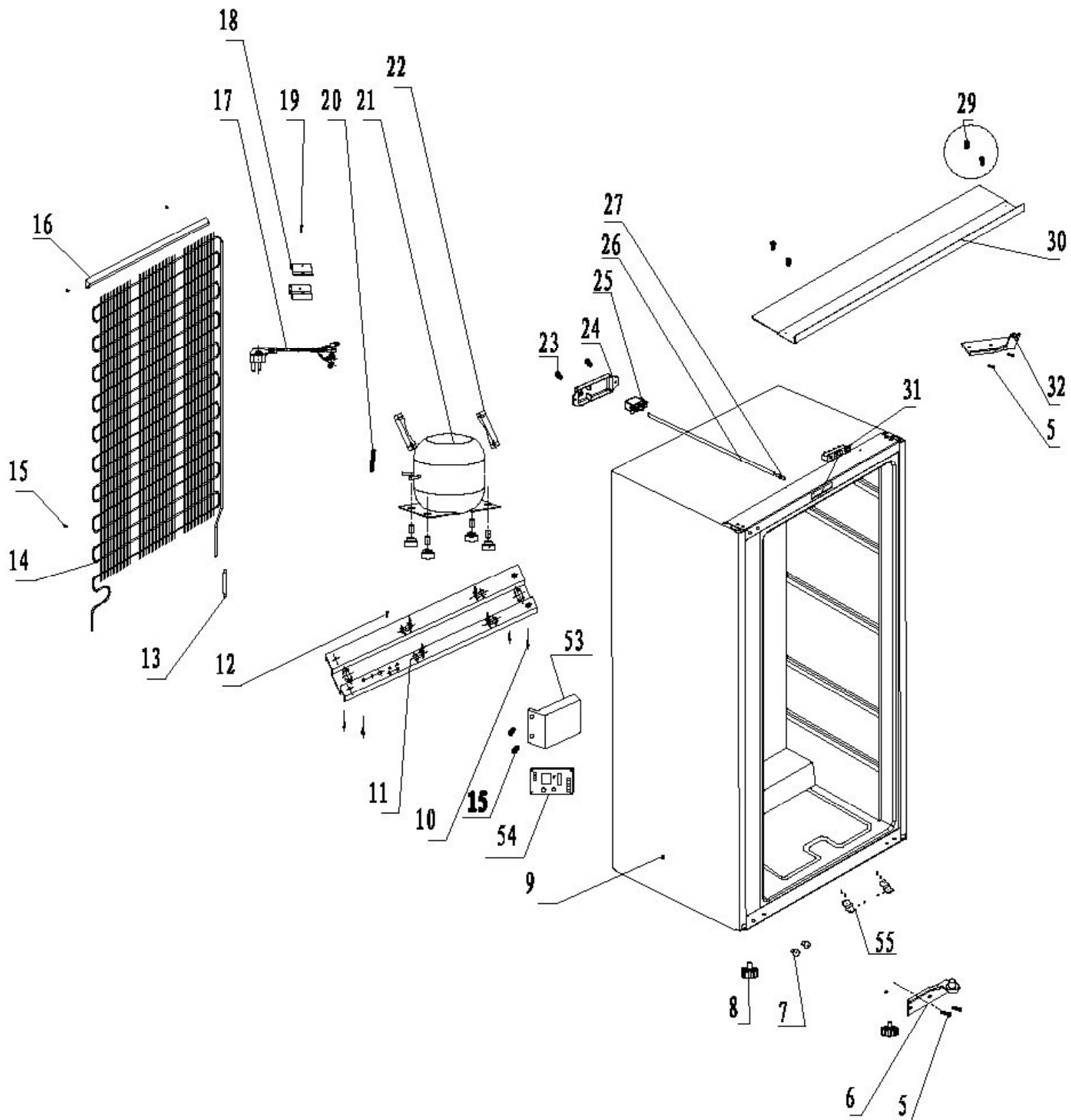


**Technical information**



# RIF123

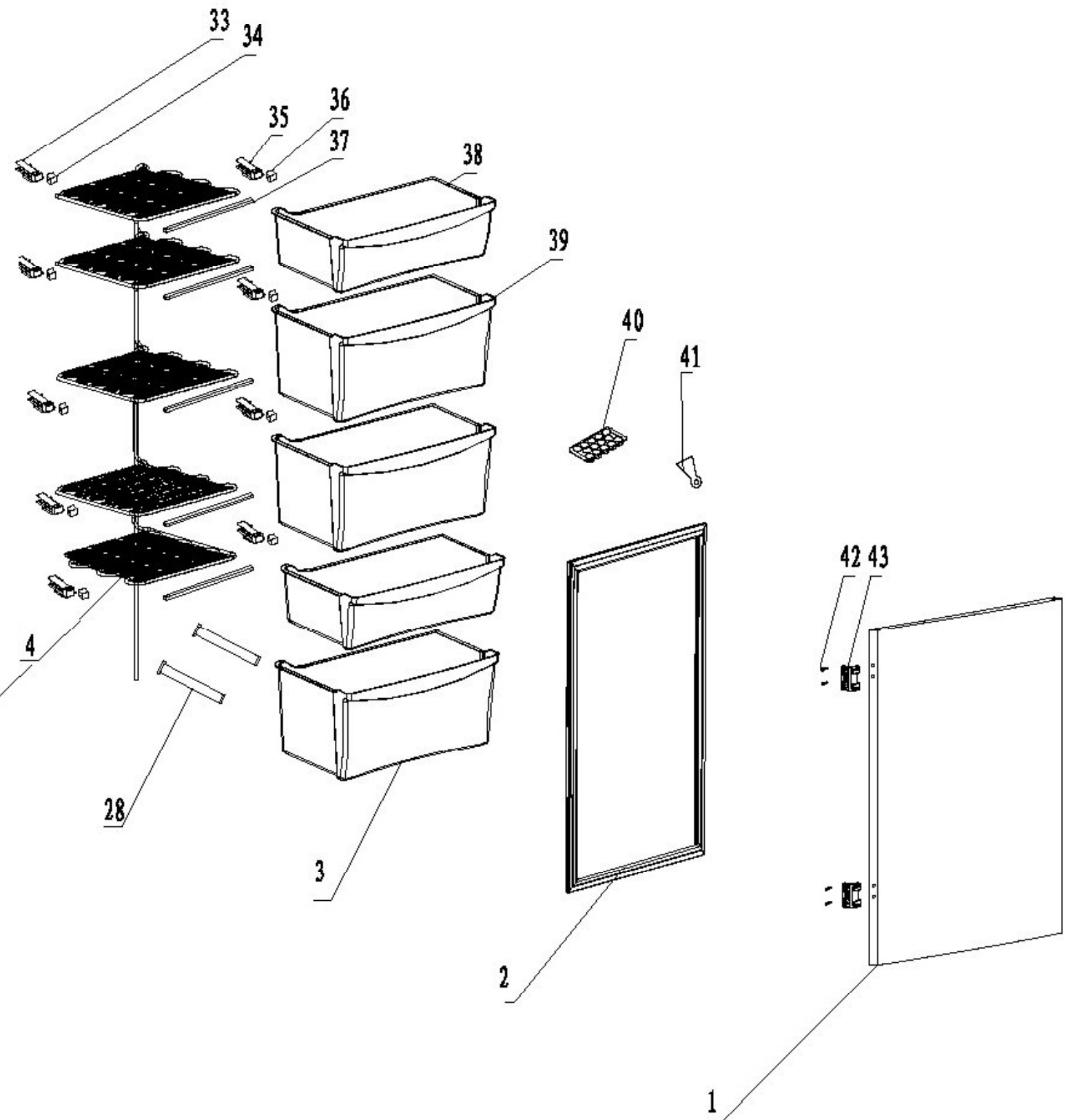
Caple 122cm Integrated Freezer





RIF123

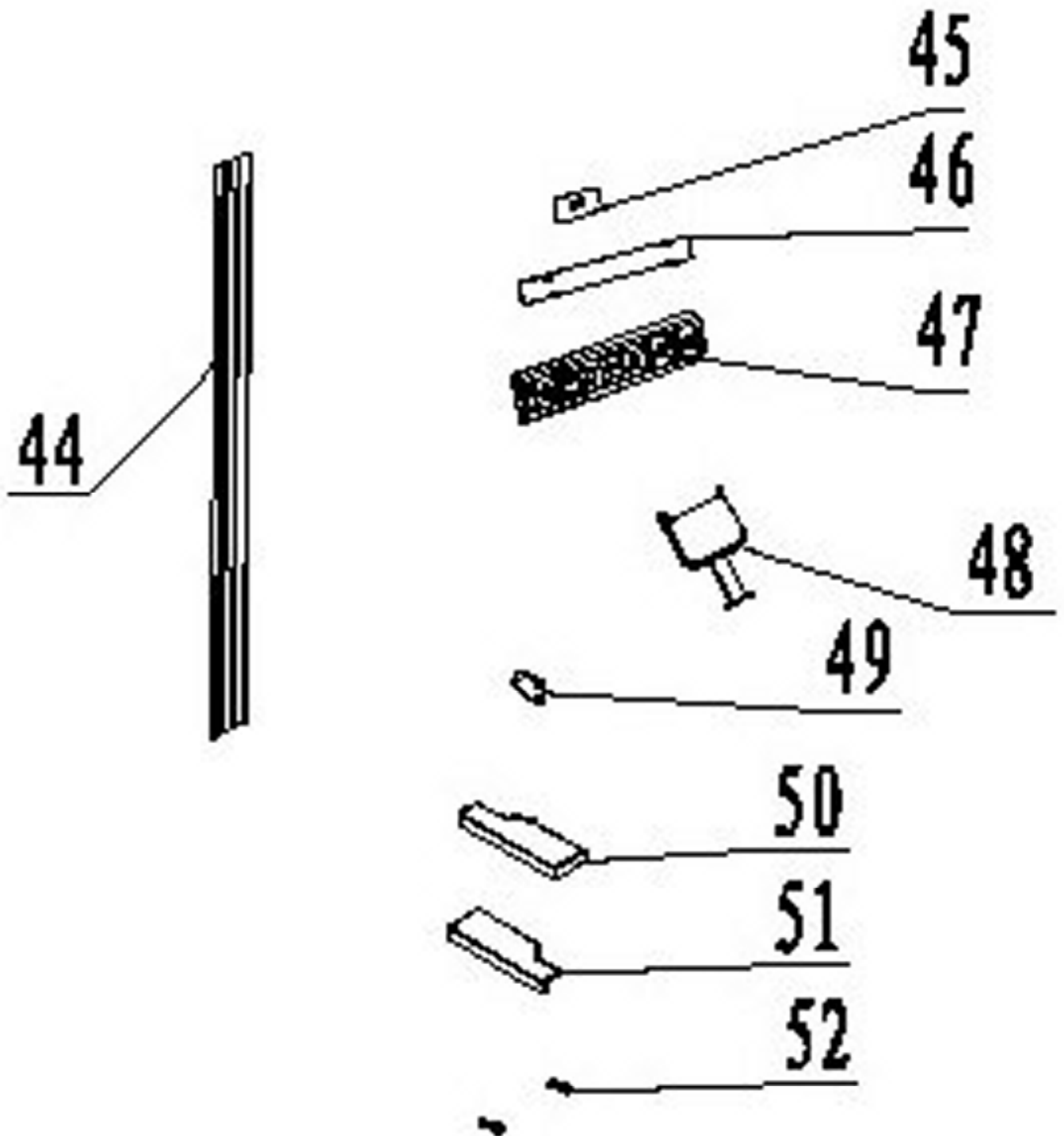
Caple 122cm Integrated Freezer





# RIF123

Caple 122cm Integrated Freezer





## RIF123 - Caple 122cm Integrated Freezer

Item	Part Code	Description	Qty
1	2.01.R1TQ02-117	Foamed door	1
2	1.39.201102-112	Door gasket	1
3	1.03.312039-041	Lower drawer	1
4	1.08.21TQ01-117	Freezer evaporator	1
5	1.13.M50130-104	Flange screw	4
6	1.11.03156TQ-03	Lower hinge	1
7	1.06.TQ2620-142	Screw hole plug	4
8	1.06.TQ2170-110	Adjustable feet	2
9	2.00.TQ020036-0	Foamed cabinet	1
10	1.13.M50130-104	Flange screw	4
11	1.11.04110TQ-01	Compressor base	1
12	1.13.C40080-106	Grounding screw	1
13	1.46.0400TQ-013	Drier filter	1
14	1.09.3651TQ-112	Outside condenser	1
15	1.12.B39160-AB7	Self tapping screw	4
16	1.06.TQ9591-117	Condenser protective bar	1
17	1.28.BD1165-010	Power cord	1
18	1.06.TQ2780-041	Power cord fixer	1
19	1.13.Y40160-104	Y type screw	2
20	1.46.0500TQ-003	Charging pipe	1
21	1.10.12125E-0XX	Compressor	1
22	1.11.30069TQ-07	Compressor support fixer	2
23	1.12.B39160-AB7	Self Tapping Screw	2
24	1.06.TQ4621-115	Lid	1
25	1.32.2711D8-2TQ	Warm controls	1
26	1.06.TQ9090-116		1
27	1.06.TQ9010-116		1
28	1.06.TQ3572-105	Evaporator sliding strip	8
29	1.13.M05016-104	Flange screw	4
30	1.11.17106TQ-05	Upper hinge plate	1
31	1.27.01D2XX-100		1
32	1.11.01156TQ-03	Upper hinge	1
33	1.06.TQ1671-105	Left stopper	4
34	1.06.TQ1670-105	Left stopper clip	4
35	1.06.TQ1771-105	Right stopper	4
36	1.06.TQ1770-105	Right stopper clip	4
37	1.06.TQ3392-041	Freezer evaporator front liner	4
38	1.03.210139-041	Middle drawer	2
39	1.03.810039-115	High drawer	2
40	1.46.1402TQ-002	Ice tray	1
41	1.46.3802TQ-001	Defrost board	1
42	1.12.M39120-AB4	self tapping screw	4
43	1.06.TQ9G80-111	connecting block	4
44	1.06.TQ1190-112	Ornament	1



## RIF123 - Caple 122cm Integrated Freezer

Item	Part Code	Description	Qty
45	1.06.TQ9380-111		4
46	1.06.TQ9381-111		4
47	1.06.TQ9382-111		4
48	1.06.TQ3621-111	The lower fixed cover	2
49	1.06.TQ2670-000		4
50	1.06.TQ3270-156	Upper hinge cover	1
51	1.06.TQ3271-156	Lower hinge cover	1
52	1.12.M39120-MS4	self tapping screw	18
53	1.06.TQ7120-014		1
54	1.27.01D4XX-100	PCB	1
55	1.11.81111TQ-01	The lower fixing parts	2

# THERMOSTAT

