



# RI734

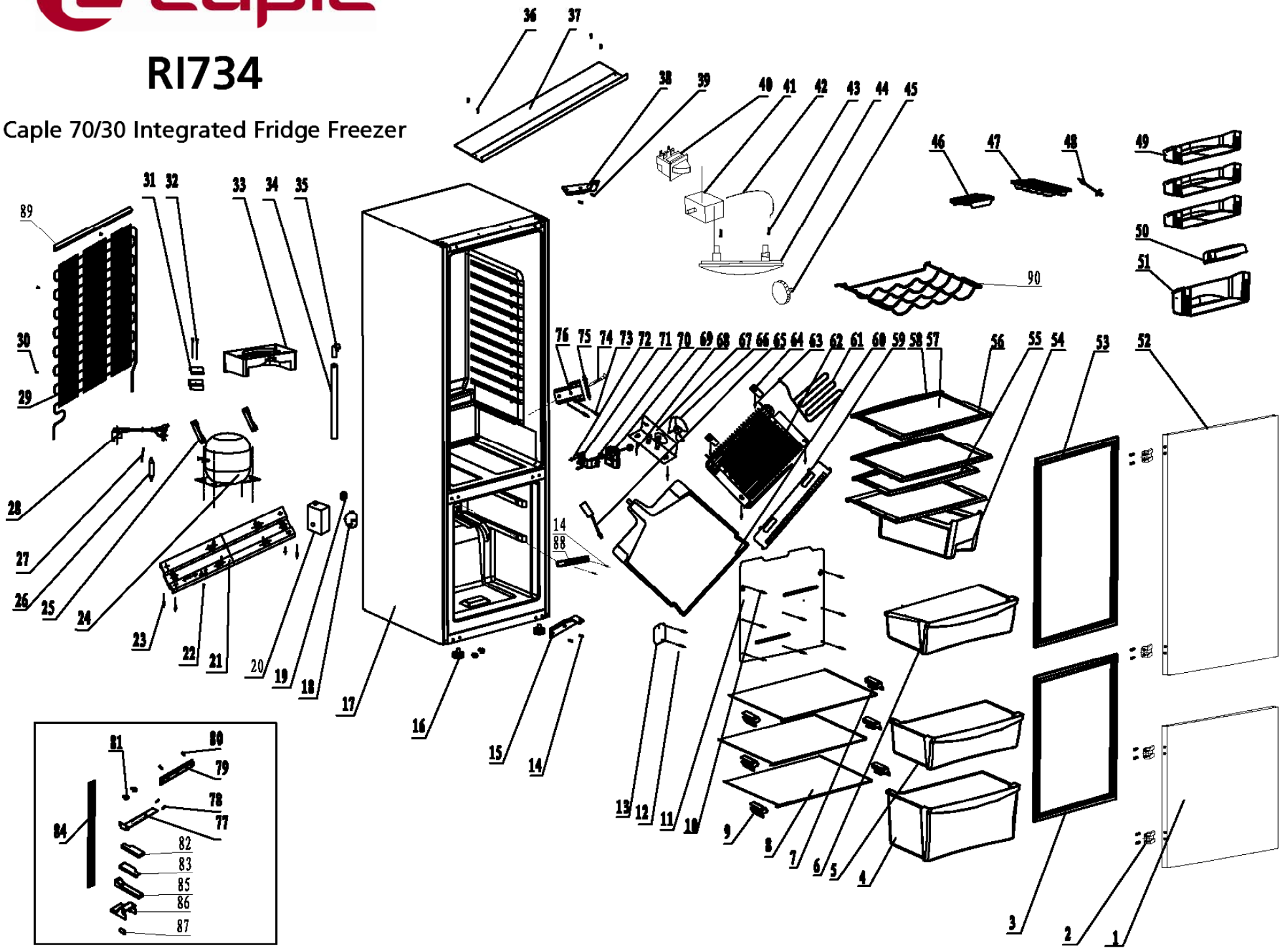
Caple 70/30 Integrated Fridge Freezer



## Technical information

# RI734

Caple 70/30 Integrated Fridge Freezer





## RI734 - Caple 70/30 Integrated Fridge Freezer

| Item | Part Code       | Description          | Qty |
|------|-----------------|----------------------|-----|
| 1    | 2.01.F0TQ02-173 | freezer door         | 1   |
| 2    | 1.06.TQ9G80-105 | connecting block     | 4   |
| 3    | 1.39.200202-173 | freezer gasket       | 1   |
| 4    | 1.03.312142-041 | lower drawer         | 1   |
| 5    | 1.03.210142-041 | middle drawer        | 1   |
| 6    | 1.03.110042-143 | upper drawer         | 1   |
| 7    | 1.06.TQ1671-106 | right stopper        | 2   |
| 8    | 2.24.2114302-01 | Drawer support plate | 2   |
| 9    | 1.06.TQ1670-106 | left stopper         | 2   |
| 10   | 1.12.B39160-AB7 | self tapping screw   | 5   |
| 11   | 2.24.1717302-01 | Air duct cover       | 1   |
| 12   | 1.12.B39160-AB7 | self tapping screw   | 2   |
| 13   | 2.24.1814302-01 | Box cover            | 1   |
| 14   | 1.13.G50130-104 | Flange Screw         | 4   |
| 15   | 1.11.03156TQ-03 | Lower hinge          | 1   |
| 16   | 1.06.TQ2170-110 | adjustable feet      | 2   |
| 17   | 2.00.TQ020067-0 | foamed cabinet       | 1   |
| 18   | 1.35.HDD01X-143 | Defrost timer        | 1   |
| 19   | 1.38.04PS027-01 | rubber fixing        | 1   |
| 20   | 1.06.TQ7111-027 | Junction box         | 1   |
| 21   | 1.11.04110TQ-01 | compressor base      | 1   |
| 22   | 1.13.C40080-106 | grounding screw      | 2   |
| 23   | 1.13.G50130-104 | flange screw         | 4   |
| 24   | 1.10.12138G-1XX | compressor           | 1   |
| 25   | 1.11.30069TQ-02 | compressor support   | 2   |
| 26   | 1.46.0400TQ-013 | drier-filter         | 1   |
| 27   | 2.20.B1TQ00-000 | charging pipe        | 1   |
| 28   | 1.28.DD2024-143 | power wiring         | 1   |
| 29   | 1.09.3651TQ-173 | condenser            | 1   |
| 30   | 1.12.B42160-AB4 | self tapping screw   | 4   |
| 31   | 1.06.TQ2780-041 | power wiring fixer   | 1   |
| 32   | 1.13.Y40160-104 | Y style screw        | 2   |
| 33   | 1.06.TQ4421-051 | water disposal pan   | 1   |
| 34   | 1.06.TQ1371-173 | Drain pipe           | 1   |
| 35   | 1.06.TQ3171-143 | Drain connection     | 1   |
| 36   | 1.13.T05016-104 | flange screw         | 4   |
| 37   | 2.24.0710602-01 | up hinge board       | 1   |
| 38   | 1.11.01156TQ-03 | up hinge             | 1   |
| 39   | 1.13.G50130-104 | flange screw         | 2   |
| 40   | 1.29.11X101-000 | Lamp switch          | 1   |
| 41   | 1.32.2513X1-1TQ | Thermostat           | 1   |
| 42   | 1.36.DTQ201-105 | thermostat wiring    | 1   |
| 43   | 1.12.B40250-AB7 | self tapping screw   | 2   |



## RI734 - Caple 70/30 Integrated Fridge Freezer

| Item | Part Code       | Description                    | Qty  |
|------|-----------------|--------------------------------|------|
| 44   | 1.30.5G3103-085 | lighting                       | 1    |
| 45   | 1.06.TQ0310-085 | Tem.control knob               | 1    |
| 46   | 1.06.TQ0472-041 | egg shelf                      | 1    |
| 47   | 1.46.1400TQ-001 | ice box                        | 1    |
| 48   | 1.06.TQ7521-037 | Drain pin                      | 1    |
| 49   | 1.06.TQ0674-015 | door shelf A                   | 3    |
| 50   | 1.06.TQ2270-105 | small door shelf               | 1    |
| 51   | 1.06.TQ0873-015 | door shelf B                   | 1    |
| 52   | 2.01.R0TQ02-105 | refrigerator door              | 1    |
| 53   | 1.39.201102-105 | Door Seal                      | 1    |
| 54   | 1.06.TQ2371-105 | crisper                        | 2    |
| 55   | 1.42.24TQ39-110 | safy glass B                   | 1    |
| 56   | 1.06.TQ1911-106 | shelf back liner               | 5    |
| 57   | 1.42.23TQ39-110 | safy glass A                   | 4    |
| 58   | 1.06.TQ1910-106 | shelf front liner              | 5    |
| 59   | 1.06.TQQT70-143 | Channel front                  | 1    |
| 60   | 2.01.T0TQ02-143 | water foamer                   | 1    |
| 61   | 1.31.D2940X-173 | Defrost and heat pipe          | 1    |
| 62   | 1.06.140000-143 | Fin evaporator n               | 1    |
| 63   | 1.12.B39160-AB7 | self tapping screw             | 4    |
| 64   | 1.11.67173TQ-01 | evaporator support             | 2    |
| 65   | 1.35.WDD01X-143 | temperature limiter            | 1    |
| 66   | 1.06.TQ7511-027 | Wind leaf                      | 1    |
| 67   | 1.06.TQ4971-143 | Fan fixing plate               | 1    |
| 68   | 1.12.B39160-AB7 | self tapping screw             | 1    |
| 69   | 1.33.DTQ431-027 | Fan motor                      | 1    |
| 70   | 1.38.04PF027-01 | Rubber fan fixing block        | 2    |
| 71   | 1.11.61TQ143-01 | Fan fixing brackets            | 1    |
| 72   | 1.12.B39160-AB7 | self tapping screw             | 2    |
| 73   | 1.13.G50200-104 | Flange Screw                   | 2    |
| 74   | 1.11.82105TQ-06 | Connecting pin1                | 1    |
| 75   | 1.11.83156TQ-01 | Hinge shaft (upgrade)          | 1    |
| 76   | 1.11.02156TQ-01 | Hinge (upgrade)                | 1    |
| 77   | 1.11.82105TQ-05 | Connecting pin                 | 2    |
| 78   | 1.13.G50130-104 | Flange Screw                   | 2    |
| 79   | 1.11.76105TQ-03 | Connectinig plate              | 4    |
| 80   | 1.12.B39160-AB5 | Self Tapping Screw             | 20   |
| 81   | 1.06.TQ2620-142 | Screw hole plug                | 4    |
| 82   | 1.06.TQ3270-156 | The hinge cover (upgrade)      | 2    |
| 83   | 1.06.TQ3271-156 | Lower hinge cover (upgrade)    | 2    |
| 84   | 1.06.TQ1191-105 | Decoration (ornament)          | 1.8米 |
| 85   | 1.06.TQ3273-105 | Connection pin cover (upgrade) | 1    |
| 86   | 1.06.TQ3272-105 | Hinge cover (upgrade)          | 1    |
| 87   | 1.06.TQ2670-000 | Hinge plate covers             | 4    |
| 88   | 1.11.82156TQ-03 | Connecting pin                 | 1    |
| 89   | 1.06.TQ9591-117 | Condenser sheath               | 1    |
| 90   | 1.42.50TQ00-112 | Wine rack                      | 1    |



# RI734

Caple 70/30 Integrated Fridge Freezer

