



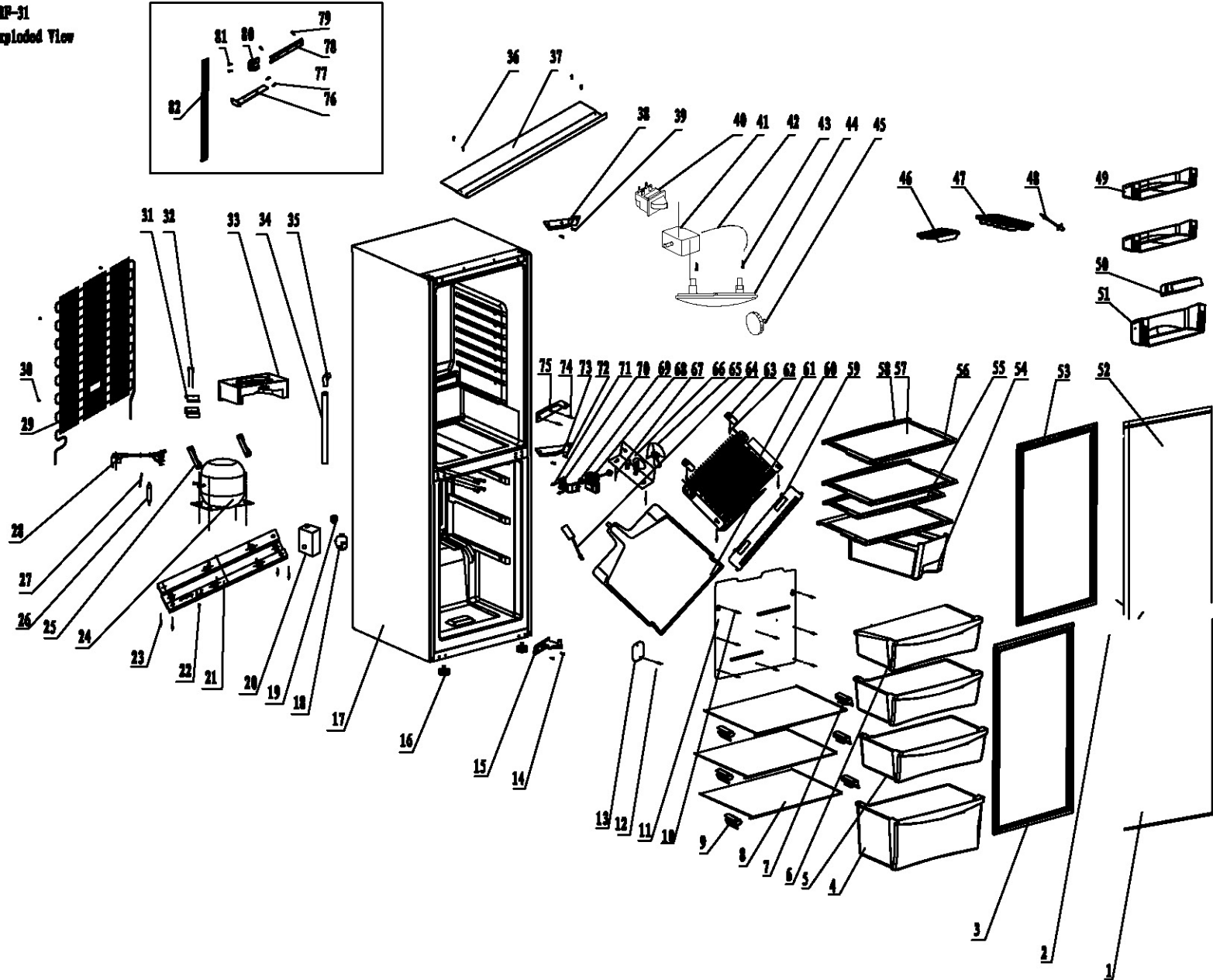
RI555

Caple 50/50 Integrated Fridge Freezer



Technical information

TRP-31
Exploded View





RI555 - Caple 50/50 Integrated Fridge Freezer

Item	Part Code	Description	Quantity
1	2.01.F0TQ02-105	freezer door	1
2	1.46.3802TQ-001	defrost board	0
3	1.39.200202-106	freezer gasket	1
4	1.03.312042-041	lower drawer	1
5	1.03.210042-041	middle drawer	2
6	1.03.110042-143	Up drawer	1
7	1.06.TQ1671-106	right stopper	3
8	1.11.88143TQ-01	drawer plate	3
9	1.06.TQ1670-106	left stopper	3
10	1.12.B39160-AB7	self tapping screw	8
11	1.06.TQ4970-143	Air tube cover	1
12	1.12.B39160-AB7	self tapping screw	1
13	2.24.1814302-01	wire box lid	1
14	1.13.G50200-104	flange screw	4
15	1.11.03105TQ-01	lower hinge	1
16	1.13.D10020-104	adjustable feet	2
17	2.00.TQ020027-1	foamed cabinet	1
18	1.35.HDD01X-143	defrost timer	1
19	1.38.04PS027-01	rubber blocker	1
20	1.06.TQ7111-027	wiring box	1
21	1.11.04110TQ-01	compressor base	1
22	1.13.C40080-106	grounding screw	3
23	1.13.G50200-104	flange screw	4
24	1.10.12125E-1XX	compressor	1
25	1.11.30069TQ-02	compressor support	2
26	1.46.0400TQ-013	drier-filter	1
27	1.46.0500TQ-003	charging pipe	1
28	1.28.DD2001-034	power wiring	1
29	1.09.3651TQ-106	condenser	1
30	1.12.B42160-AB4	self tapping screw	4
31	1.06.TQ2780-041	power wiring fixer	1
32	1.13.Y40160-104	Y style screw	2
33	1.06.TQ4421-051	water disposal pan	1
34	1.06.TQ1371-143	water outlet pipe	1
35	1.06.TQ3171-143	water outlet pipe joint	1
36	1.13.T05016-104	flange screw	4
37	1.11.17105TQ-02	up hinge board	1
38	1.11.01105TQ-01	up hinge	1
39	1.13.G50200-104	flange screw	2
40	1.29.11A201-000	switch	1
41	1.32.2711G0-3TQ	thermostat	1



RI555 - Caple 50/50 Integrated Fridge Freezer

Item	Part Code	Description	Quantity
42	1.36.DTQ201-105	thermostat wiring	1
43	1.12.B40250-AB7	self tapping screw	2
44	1.30.5G3103-085	lighting	1
45	1.06.TQ0310-085	thermostat knob	1
46	1.06.TQ0472-041	egg tray	1
47	1.46.1400TQ-001	ice tray	1
48	1.06.TQ7521-037	clean plug	1
49	1.06.TQ0671-015	door shelf A	2
50	1.06.TQ2270-105	small door shelf	1
51	1.06.TQ0871-015	door shelf B	1
52	2.01.R0TQ02-106	refrigerator door	1
53	1.39.201202-106	fridge door gasket	1
54	1.06.TQ2371-105	crisper	2
55	1.42.21TQ39-110	Bsafety glass B	1
56	1.06.TQ1911-106	shelf back liner	3
57	1.42.20TQ39-110	safety glass A	2
58	1.06.TQ1910-106	shelf front liner	3
59	1.06.TQQT70-143	air tube front controller	1
60	2.01.T0TQ02-143	water plate	1
61	1.06.140000-143	evaporator	1
62	1.12.B39160-AB7	self tapping screw	4
63	1.11.75143TQ-01	evaporator fixer	2
64	1.35.WDD01X-143	temperature limiter	1
65	1.06.TQ7511-027	fan	1
66	1.06.TQ4971-143	fan motor fixing plate	1
67	1.12.B39160-AB7	self tapping screw	1
68	1.33.DTQ431-027	Fan motor	1
69	1.38.04PF027-01	fan fixing rubber bracket	2
70	1.11.61TQ143-01	fan motor fixer	1
71	1.12.B39160-AB7	self tapping screw	2
72	1.13.G50200-104	flange screw	2
73	1.11.03105TQ-01	lower hinge	1
74	1.13.G50200-104	flange screw	4
75	1.11.01105TQ-01	up hinge	2
76	1.11.82105TQ-01	connecting pin	2
77	1.12.B39160-AB7	self tapping screw	8
78	1.11.76105TQ-01	connecting board	4
79	1.12.B39160-AB7	self tapping screw	8
80	1.06.TQ9G80-105	connecting block	4
81	1.12.B39160-AB7	self tapping screw	8
82	1.06.TQ1191-105	ornament	1.8米

