



Instruction manual for built-under larder fridge

Model code: RBL3

1. **Compression-type appliances** which use **flammable refrigerants** shall be marked with the symbol “Caution: risk of fire”.



Caution: risk of fire

Symbol ISO 3864-B.3.2

The height of the triangle in the symbol “Caution: risk of fire” shall be at least 15 mm.

2.

- WARNING: Keep ventilation openings, in the appliance enclosure or in the built-in structure, clear of obstruction.
- WARNING: Do not use mechanical devices or other means to accelerate the defrosting process, other than those recommended by the manufacturer.
- WARNING: Do not damage the refrigerant circuit.
- WARNING: Do not use electrical appliances inside the food storage compartments of the appliance, unless they are of the type recommended by the manufacturer.

Do not store explosive substances such as aerosol cans with a flammable propellant in this appliance.

3.

If the supply cord is damaged, it must be replaced by a special cord or assembly available from the manufacturer or its service agent.

This appliance is not intended for use by persons (including children) with reduced physical, sensory or mental capabilities, or lack of experience and knowledge, unless they have been given supervision or instruction concerning use of the appliance by a person responsible for their safety.

Children should be supervised to ensure that they do not play with the appliance.



Before first use

You must allow the fridge to settle for at least twenty four hours prior to switching the power on.

It is recommended that you clean the interior of the appliance prior to first use, using a solution of bicarbonate of soda and warm water and then thoroughly drying the interior.

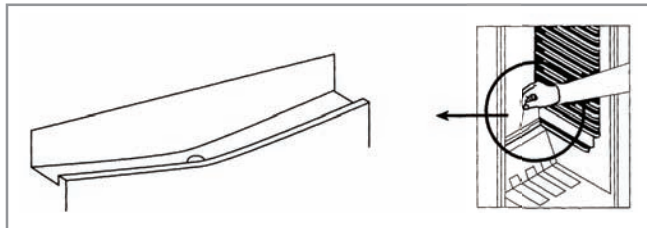
The fridge may have an odour to it at first use. This will disappear as the appliance cools.

Please note:

- The appliance will work continuously until it gets down to the correct temperature.
- If the appliance is switched off, you should allow five minutes before switching it on again to prevent unnecessary damage to the compressor.

Defrosting the fridge

The fridge is self-defrosting. Any water created will run out of the fridge through the channel at the back of the fridge. It is important to keep the channel clear at all times. The defrosted water is collected in the evaporating tray at the back of the appliance.



Use

- Never put liquids in the refrigerator uncovered.
- Never put hot foods in the refrigerator. Warm food should be allowed to cool to room temperature before being put into the refrigerator.
- Nothing should rest against the internal rear wall of the refrigerator, as this will cause frost and possible condensation problems which will be difficult to remove.

Setting the temperature

You must allow the fridge to settle for at least twenty four hours prior to switching the power on.

To adjust the temperature turn the thermostat control knob clockwise (from off) to the required level. The temperature becomes colder the higher the number on the control.





Care and cleaning

Always disconnect the appliance from the power before any cleaning or maintenance.

- The refrigerator section should be cleaned using a solution of bicarbonate of soda and lukewarm water.
- Do not use abrasive products or detergents. After washing, rinse and dry thoroughly.
- Clean the shelves and balconies separately by hand using soap and water. Do not put them in the dishwasher.
- The evaporating tray and water drain hole (at the back of the refrigerator compartment) should be cleaned periodically to prevent the defrosted water from collecting inside the refrigerator compartment. The drain plug can be used to clear the drain hole.
- Once cleaning is complete, reconnect the mains power supply.
- If the appliance is not used for prolonged periods of time, unplug and clean the appliance. The doors should be left slightly open to prevent the formation of mildew and odour.

Changing the light bulb

Disconnect the appliance from the power.

- Remove the light cover.
- Unscrew the light bulb to remove it and replace with a new bulb (not more than 15W).
- Replace the light cover and reconnect the power after five minutes' delay as explained on page 3.



Troubleshooting

If you have any problems with your appliance, you should check the troubleshooting prior to calling Caple Service to prevent unnecessary service calls and potential cost.

If the appliance is not working

- Check there is power to the appliance:
- The house fuses are intact and the fuse in the plug has not blown.
- The thermostat is not set to 0 (off position).
- The plug socket is functioning fine. To check this, plug another electrical appliance in to see if the socket is working.
- The temperature of the room is adequate (10°C or above).

The appliance is working, but not very well

- The appliance is not overloaded.
- The thermostat is set to an appropriate temperature.
- The door is closing properly.
- The cooling system at the rear of the appliance is clean and free of dust, and not touching the rear wall.
- There is enough ventilation at the side and rear walls.
- The temperature of the room is adequate (10°C or above).

The appliance is noisy

- The appliance is level and stable.
- The side and rear walls are clear, and there is nothing resting on the appliance.
- The cooling gas in the refrigerator will make a slight bubbling noise, even when the compressor is not running.

There is water in the lower part of the refrigerator compartment

- The drain hole in the channel at the back of the compartment is clear.





Installation

This appliance must never be installed close to heat sources i.e. heating elements, cookers or in damp places

The appliance should be mounted on a piece of wood (for example a section of worktop or kitchen carcass) if a raised floor is to be fitted, if the kitchen floor is to be tiled after installation, or if the installation height of the appliance is greater than 850 mm.

Fig. 1 - Dimensions of the appliance.

Fig. 2 - Dimensions for installation in adjacent units.

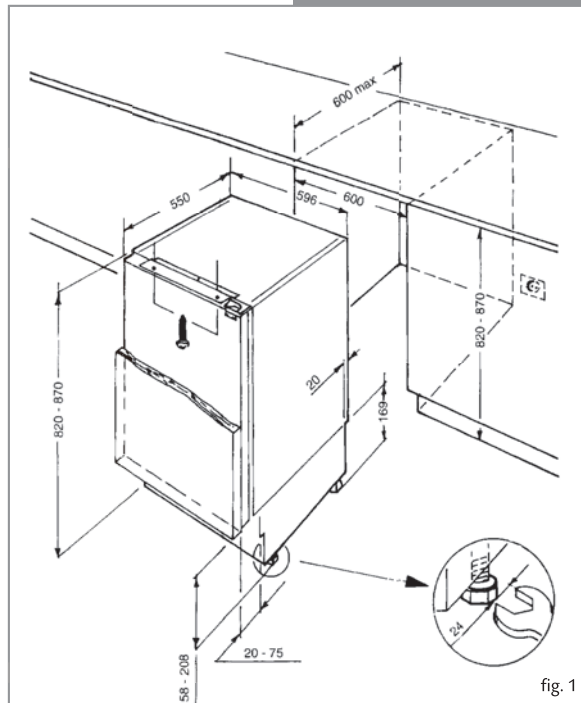


fig. 1

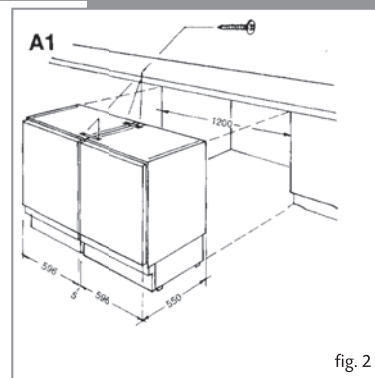


fig. 2





Reversing the door

It is possible to reverse the door on this appliance, if required.

To do so, follow the steps below:

- Loosen the hinge fixing screws (1).
- Open the door.
- Lever off the corner caps (3) with a knife blade.
- Insert the hinge fixing screws (1) on the opposite side.
- Remove the door fixing screws (2) and relocate the hinges according to figure 3.
- Locate the door on the hinge fixing screws (1) and tighten.

Do not turn the door upside down.

- Insert the corner caps (3) in the exposed holes.

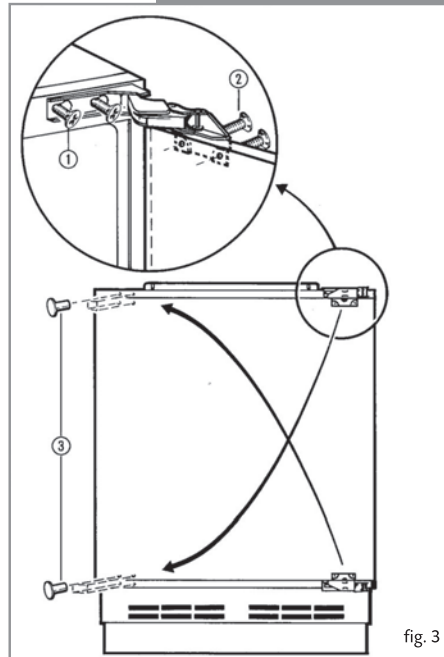
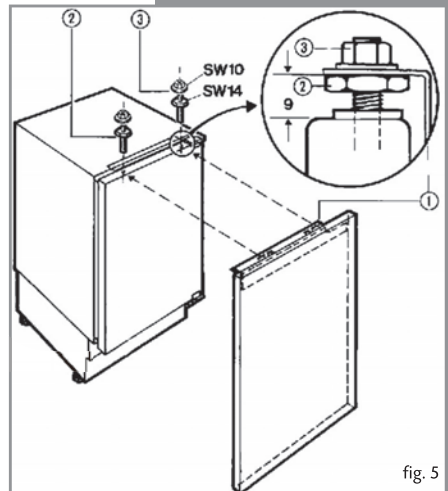
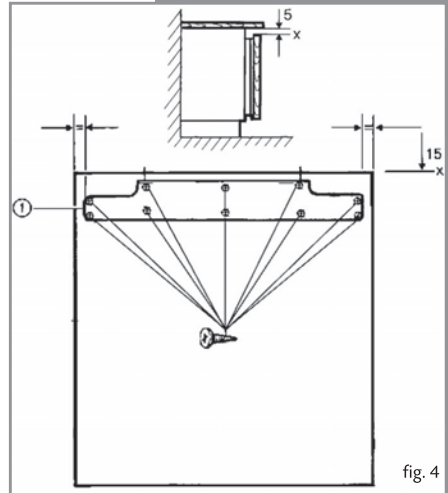


fig. 3



Installing the decor door

- Screw mounting bracket (1) onto decor door using the screws supplied (as show in figure 4).
- Fit the correct side towards the hinges.
- Ensure there is a 5mm clearance between the underside of the worktop and upper edge (X) of the decor panel.
- Screw the four adjusting pins (2) fully into the appliance door.
- Position the decor door on the appliance door; introduce the locating pins at top into the slots in the mounting plate and open out according to detail in figure 5 (about 9mm).





Installing under a worktop

- Adjust the feet to the required height.
- Push the appliance into the niche until the decor door is flush with the adjacent furniture items, adjust the feet if necessary.
- Pre-adjust the appliance at slots (4) as shown in figure 8, into the mounting plate on the worktop.

Adjusting the plinth depth (figure 6)

- Lift out the decor door.
- Grip the plinth at the ventilation grill and align until flush with adjacent furniture items, or join up to the continuous plinth if fitted. Cut away the continuous plinth trim as illustrated for ventilation.

Never cover the ventilation slots.

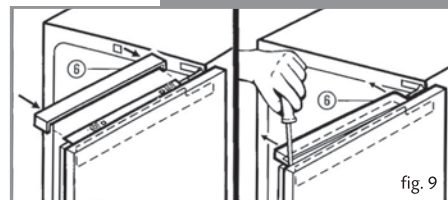
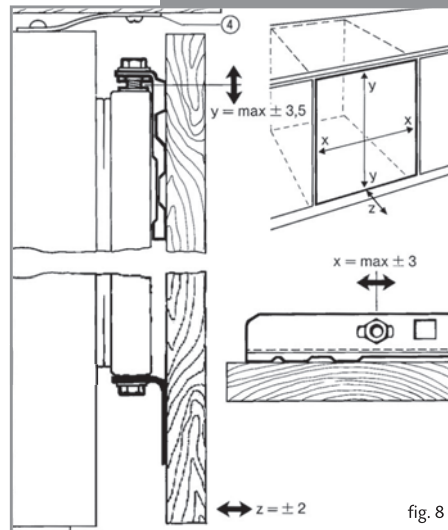
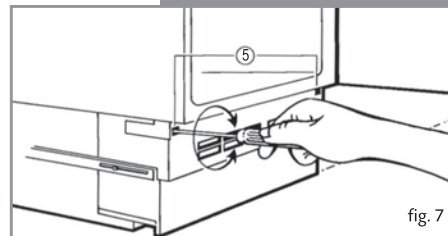
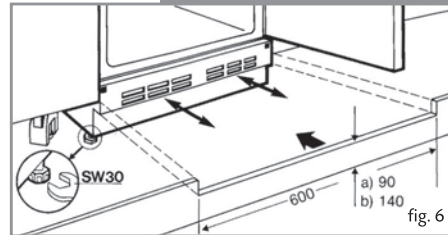
Once installed the plinth must not block the ventilation slots in the appliance. This may require cutting the plinth down. Failure to ensure adequate ventilation may invalidate the warranty.

- Attach the appliance plinth at screws (5), turning screws clockwise until considerable resistance is felt (figure 7).
 - To adjust the plinth height, turn the screws anti-clockwise approximately 8 to 10 revolutions.

Adjusting the decor door

- Position the decor door on the appliance. Open loose locking nuts.
- Adjust height Y at locating pin (14mm wrench) as shown in figure 8, $Y = \text{max} \pm 3.5\text{mm}$.
- Adjust side measurement X at slots on mounting bracket at top, $X = \text{max} \pm 3\text{mm}$.
- Open out lower locating pins until contact is made with the mounting plate. Secure with locking nuts.
- If necessary, adjust the alignment of the lower decor panel edge at 10x12 hole in mounting bracket, $Z = \pm 2\text{MM}$. Then tighten the locking nuts again.
- Push on cover trim (6) and engage (to remove, lever out the trim strip with a screwdriver as illustrated in figure 9).
- When aligned, secure the appliance to the worktop at retaining slots.

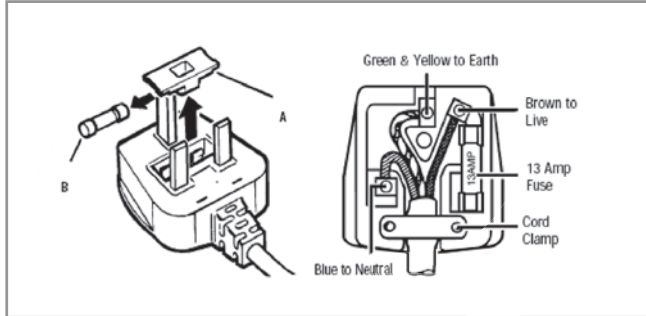
Important: The cover trim (6) must be fitted as this turns off the light when the door is closed.





Electrical information

Warning! This appliance must be earthed.



The mains lead of this appliance has been fitted with a BS 1363A 13 amp fused plug. To change a fuse in this type of plug, follow the steps below:

1. Remove the fuse cover and fuse.
2. Fit replacement 13A fuse, ASTA approved to BS 1362 type, into the fuse cover.
3. Replace fuse cover.

Important: Do not use the appliance without the fuse cover in position.

How to connect an alternative plug

If the fitted plug is not suitable for your socket outlet, then it should be cut off and disposed of safely to avoid possible shock hazard. A suitable alternative plug of at least 13 Amp rating to BS 1363 should be used.

As the colours of the wires in the mains lead of this appliance may not correspond with the coloured markings identifying the terminals in your plug, proceed as follows:-

- The wire which is coloured GREEN and YELLOW must be connected to the terminal which is marked with letter (E) or by the Earth symbol \perp or coloured GREEN and YELLOW.
- The wire which is coloured BLUE must be connected to the terminal which is marked with the letter (N), or coloured BLACK.
- The wire which is coloured BROWN must be connected to the terminal which is marked with the letter (L) or coloured RED.

If in doubt regarding the electrical connection of this appliance, consult a qualified electrician. Do not shorten the supply cable, the appliance may require removing for servicing.

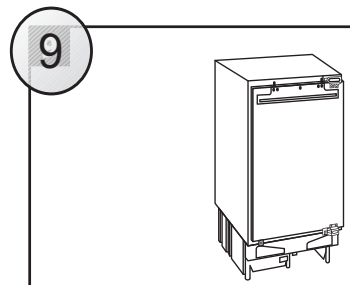
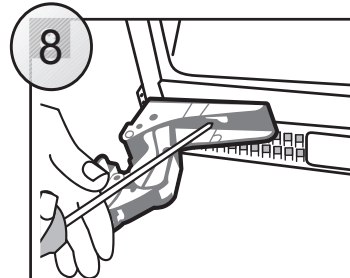
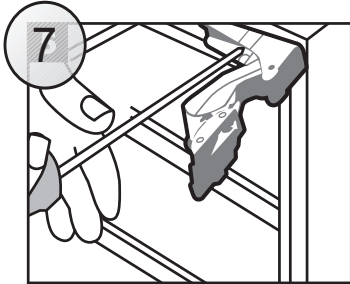
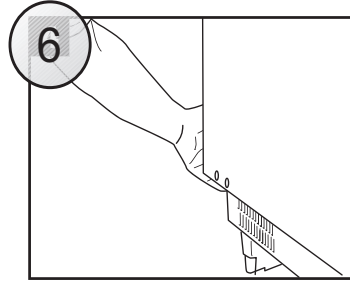
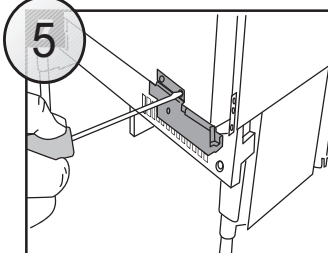
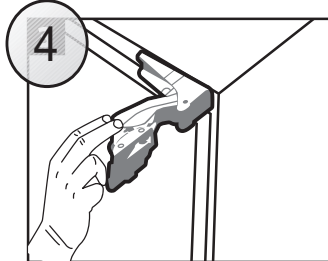
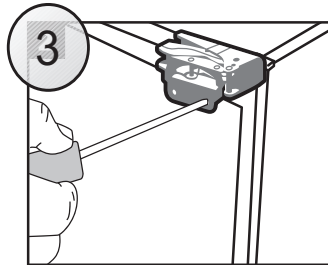
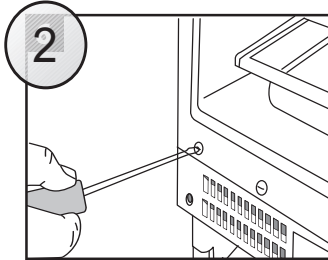
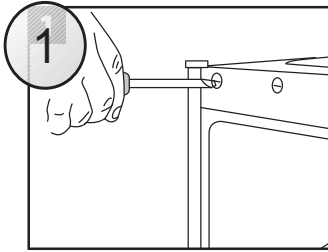
N.B. Ensure that the plug socket is situated in an easily accessible place.



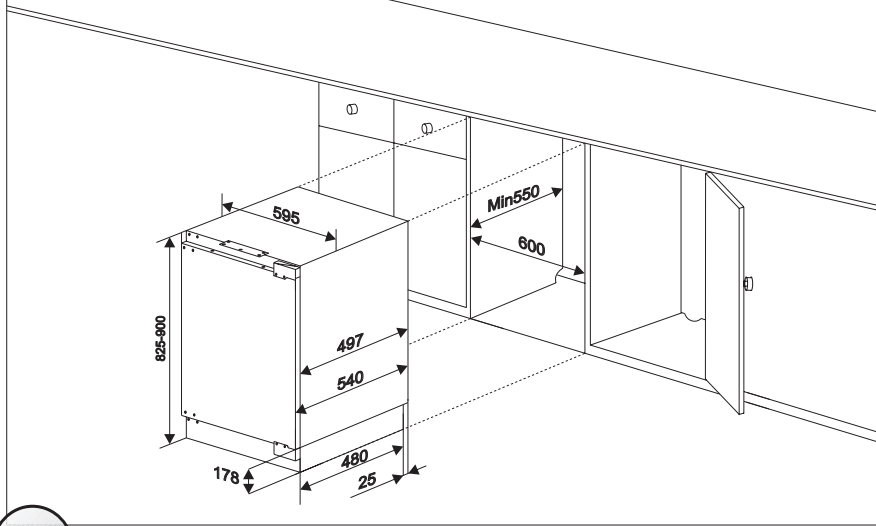


Installation guide for built-under refrigeration

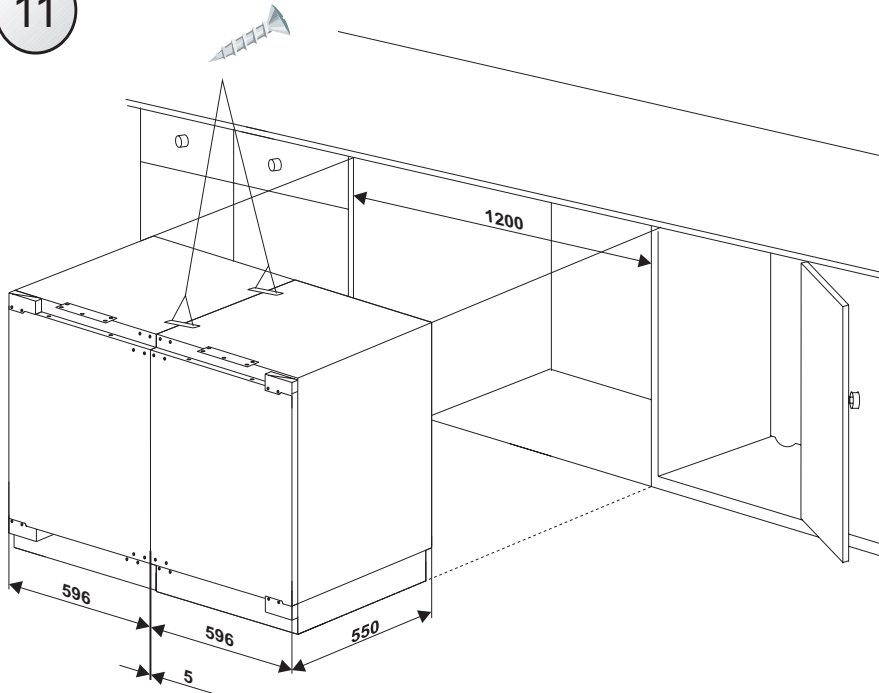
Please carefully read this guide before installing the appliance.

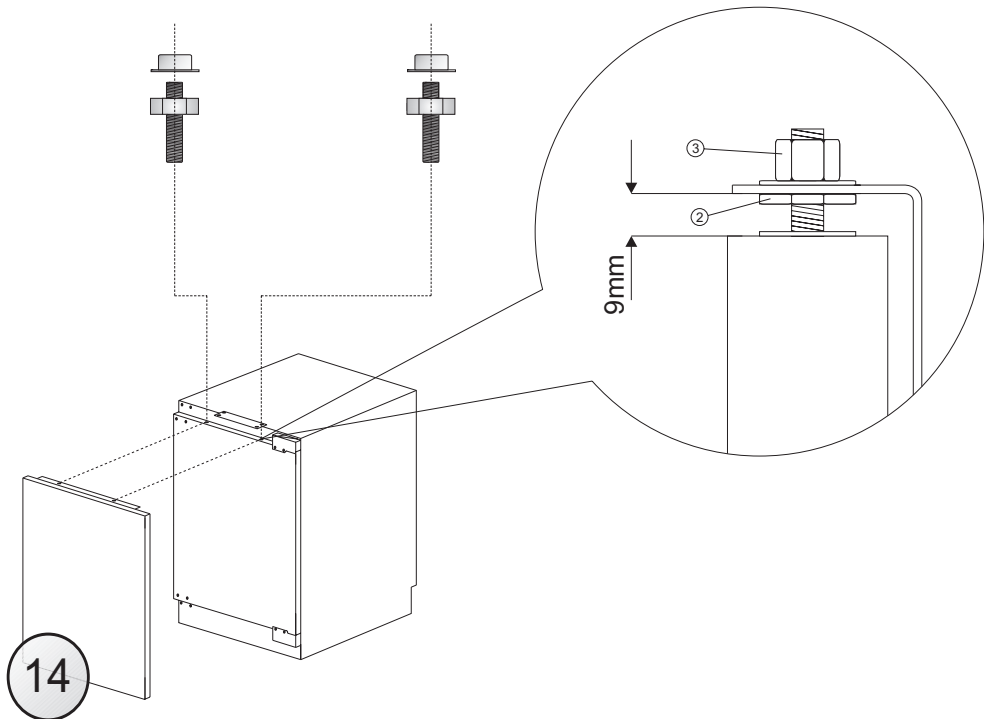
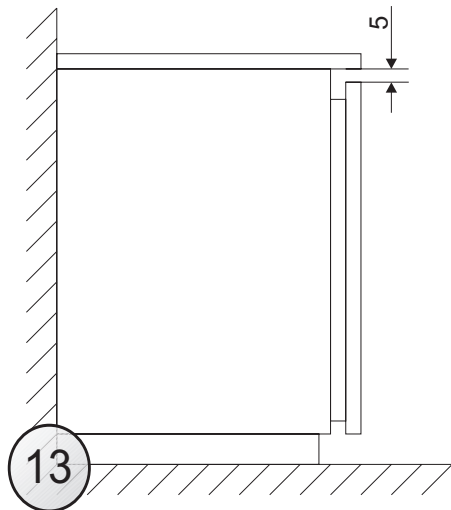
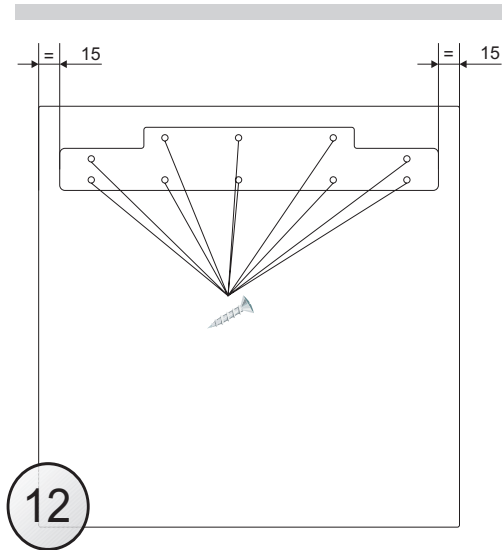


10

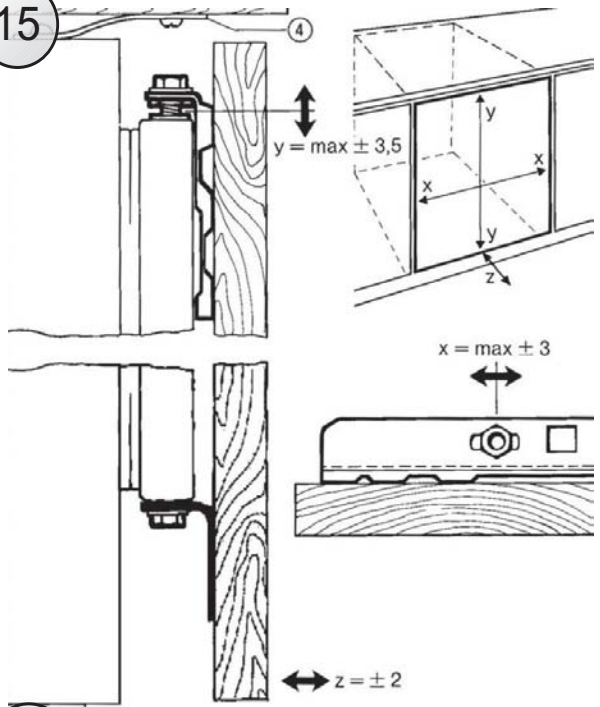


11

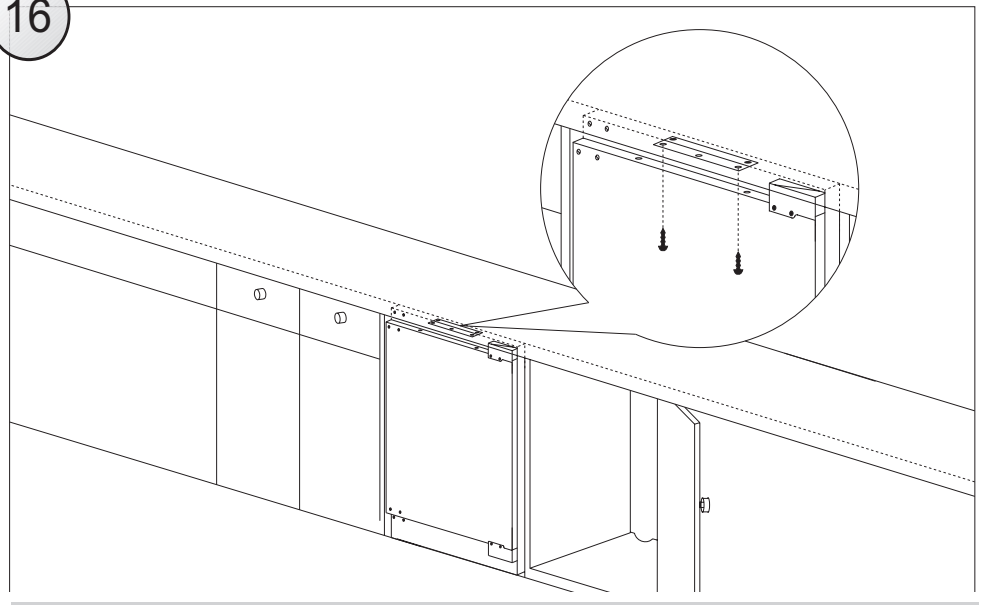




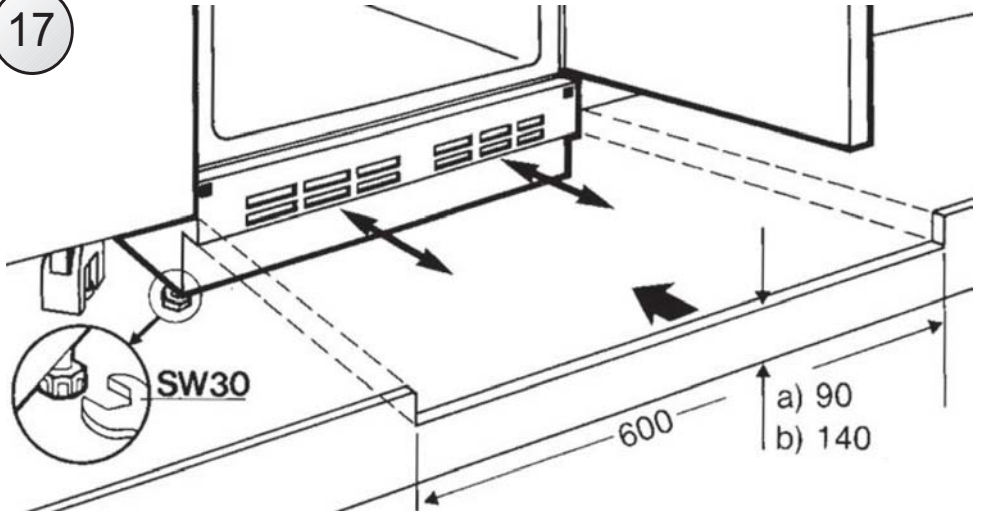
15



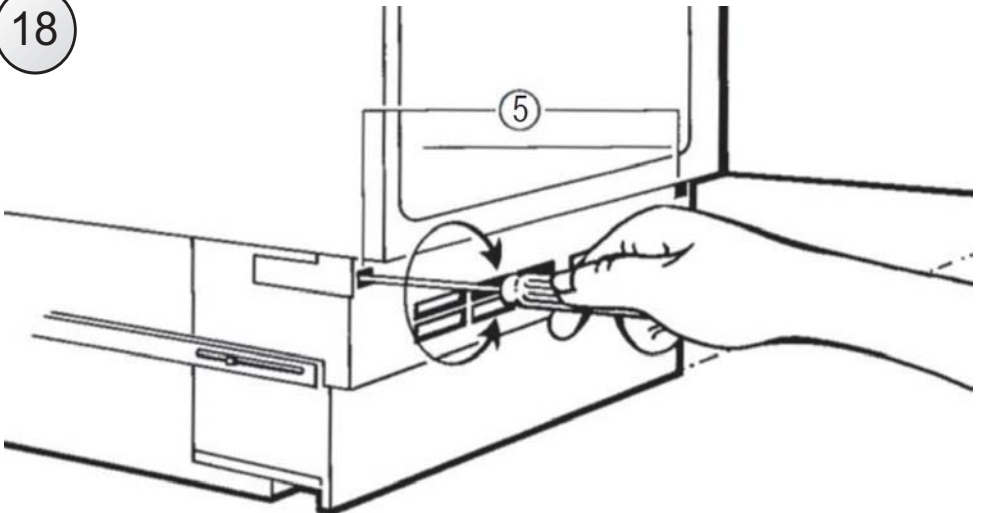
16



17



18



DOOR REVERSAL

1. Unplug the appliance before reversing the door opening direction.
2. Remove food from the appliance.
3. Remove caps on the front of the refrigerator body (Fig. 1, Fig 2).
4. Remove the two screws, which attach the upper hinge to the appliance door (Fig. 3). Take special care and hold the appliance door vertically.
5. Holding the door, swing the upper door hinge away from the door using the other hand (Fig. 4).



Be especially careful during this step, as the hinge may close and cause injury.

6. Remove the two screws, which attach the lower hinge to the appliance door (Fig. 5). Take special care and hold the appliance door with the other hand.
7. Holding the door, swing the lower door hinge away from the door using the other hand, then detach the door from the appliance body (Fig. 6).
8. Remove the two screws, which attach the upper hinge to the body and the two screws holding the lower hinge to the appliance body (Fig. 7).
9. Screw the upper and lower hinge on the opposite side of the appliance body using suitable screws (Fig. 8). Upper hinge should be mounted on the other side of the appliance as the lower hinge. The lower hinge should be mounted on the other side of the appliance as the upper hinge. With the hinges open, hold the door parallel to the appliance body and screw the hinges to the door using suitable screws while taking proper care.
10. Make sure that the door is properly aligned with the appliance body (Fig. 9).

INSTALLATION OF THE APPLIANCE

Installation of the appliance should be performed by a qualified installer. The appliance should be placed in furniture case (Fig. 10). Once the appliance is placed correctly, adjust the height of the appliance by turning the 4 adjustable feet as appropriate. If necessary, adjacent Caple appliances should be braced with a bracket fixed by screws and fitted in furniture (Fig. 11). There is a special strip at the top of the appliance. Attach it to the underside of the cabinet with appropriate screws supplied with the assembly kit (Fig. 16). The kitchen plinth must not block the vents located in the bottom casing unit, the strip must be cut to size (Fig. 17). The depth of the bottom casing unit can be adjusted by moving it forwards or backwards. Once properly adjusted, tighten the mounting screws (located in the openings on both sides of the casing unit) with a cross-head screwdriver. This will permanently attach the casing unit (Fig. 18).

FITTING FURNITURE BOARD TO APPLIANCE DOOR

Place the mounting bracket on furniture board and position it accordingly (Fig. 12). The distance between the furniture board and the underside of the worktop should be 5 mm (Fig. 13). Attach the mounting bracket using suitable screws supplied in the installation kit. Pull out the mounting bracket cover and screw in the two special screws (2) in the appliance doors (Fig. 14). Attach furniture board with the fixed mounting bracket to the appliance door. Secure the furniture board with suitable nuts (item 3, Figure 14). Make sure the furniture board assembly is positioned correctly relative to the appliance (Fig. 15). Using the supplied screws, attach the furniture board assembly to the bottom of the appliance door (Fig. 15). Replace the mounting bracket cover in its original location.