



RBF2

Caple Built Under Freezer

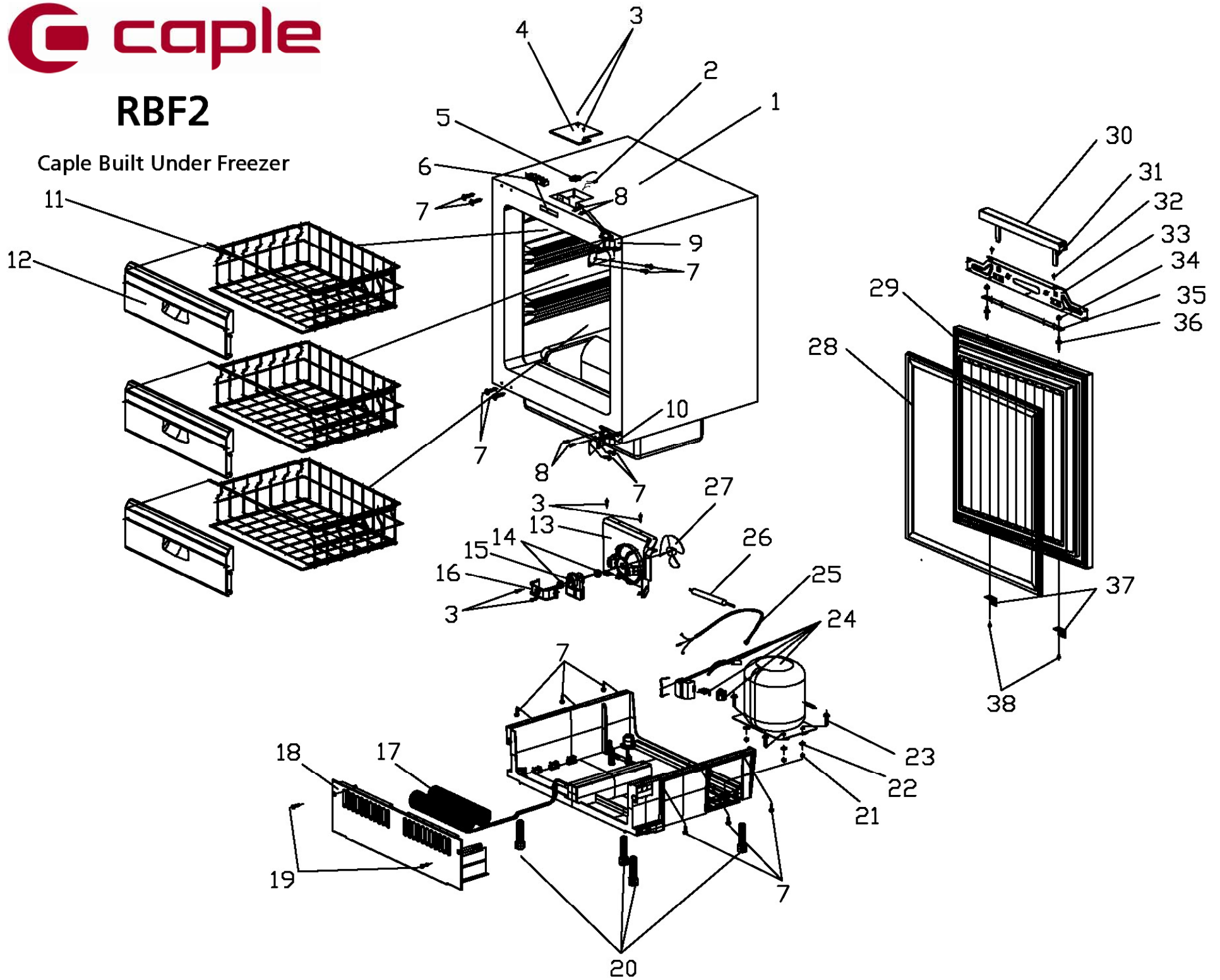


Technical information



RBF2

Caple Built Under Freezer





RBF2 - Caple Built Under Freezer

Item	Part Code	Description	Qty
1	2.00.TQ020029-0	Foamed Cabinet	1
2	1.36.DTQ200-100	Warm controls the wire	1
3	1.12.B42025-AB4	Self Tapping Screw	6
4	1.06.TQ7370-100	thermostat cover	1
5	1.32.2711D1-2TQ	thermostat	1
6	1.27.01D0XX-100	Display panel	1
7	1.13.G50130-104	Flange Screw	14
8	1.12.F50150-AB4	Dormant bolt	4
9	1.11.01101TQ-01	up hinge	1
9a	1.11.01101TQ-02	up hinge	1
10	1.11.03101TQ-01	lower hinge	1
10a	1.11.03101TQ-02	lower hinge	1
11	1.42.90TQ02-100	Wire drawers	3
12	1.06.TQ9F71-100	Steel wire drawer lap	3
13	1.06.TQ9J70-101	Wind cowling	1
14	1.38.04PF027-01	Air blower crash pad	2
15	1.33.DTQ431-100	Fan motor	1
16	1.11.61TQ027-01	Wind rack	1
17	1.09.63A0TQ-101	Condenser	1
18	1.06.TQ9K70-101	First guard shield	1
19	1.12.B48250-AB4	Self Tapping Screw	2
20	1.06.TQ2121-101	Adjustable footing	4
21	1.14.Z06000-006	Nut	4
22	1.14.Z06000-006	washer	4
23	1.13.G60280-104	Flange Screw	4
24	1.10.12100E-2XX	Compressor	1
25	1.28.BD2024-101	Power line	1
26	1.46.0400TQ-001	Dryer	1
27	1.06.TQ7511-027	fan	1
28	1.39.200102-101	gasket	1
29	2.01.R0TQ02-100	Foamed Door	1
30	1.06.TQ9L70-101	Decorates the cover A	1
31	1.06.TQ9L71-101	Decorates the cover B	2
32	1.12.A05080-BF5	Flange Screw	2
33	1.11.51101TQ-01	Junction panel	1
34	1.14.E06000-00F	Belt pad nut	2
35	1.11.51101TQ-02	Adjustment board	1
36	1.13.Z60035-105	Adjuster bolt	2
37	1.11.75101TQ-01	Fixed block	2
38	1.13.G60080-104	Flange Screw	2

RBF2

Caple Built Under Freezer

