



# WDI1211

Caple Integrated Washer Dryer



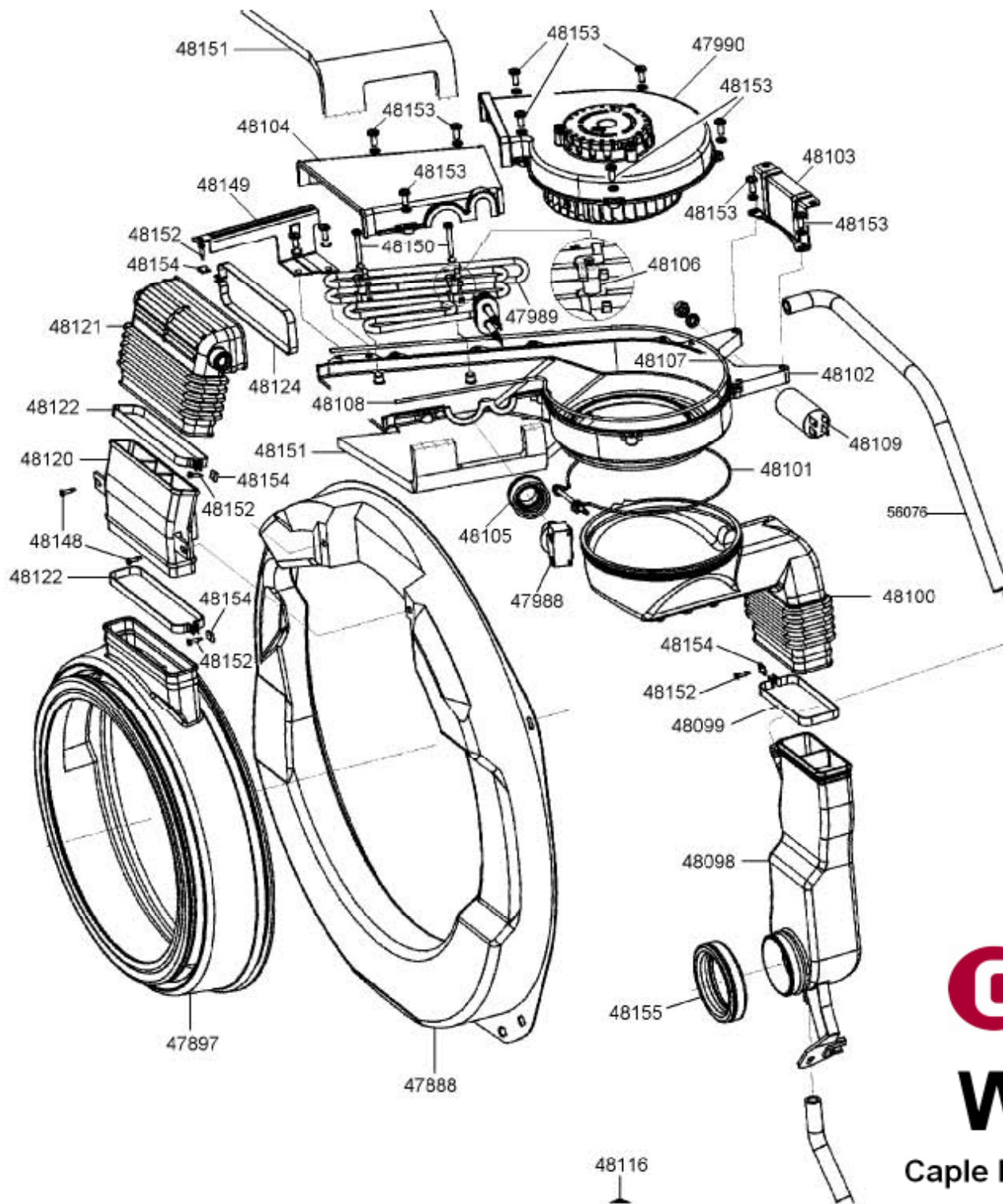
TECHNICAL  
INFORMATION



## Caple washing machine and washer dryer specifications

Model	WDI 1211
Type	Washer dryer
Family	Full integrated
Kitchen door on machine	Yes
Color	White
Direct Print	Descriptions
Spin speed (rpm)	600-1200
Wahing capacity (kg)	5 kg
Drying capacity (kg)	2,5 kg
Automatic variable charge	Yes
Drain pump with self clean filter	Yes
Cold water	Yes
Hot water	Yes
Unbalance charge system	Yes
Washing programmes	23
Drying programmes	2
Variable temperature	Yes
On-Off push button	Yes
Intensive washing push button	Yes
Intensive rinse push button	Yes
No spin function	Yes
Stop with water in the tank function	Yes
Variable spin speed knob	Yes
Dimensions (W X H X D in mm)	596x818x546
Packaged dimensions (W X H X D in mm)	660x950x680
VOLT	240V/50Hz
Tank	SS
Drum	SS
Door diameter	270 mm
Drum volume	45 Lt
net weight	76
Gross weight	84
<b>ENERGY LABEL (energy-washing-final umidity)</b>	<b>CA</b>

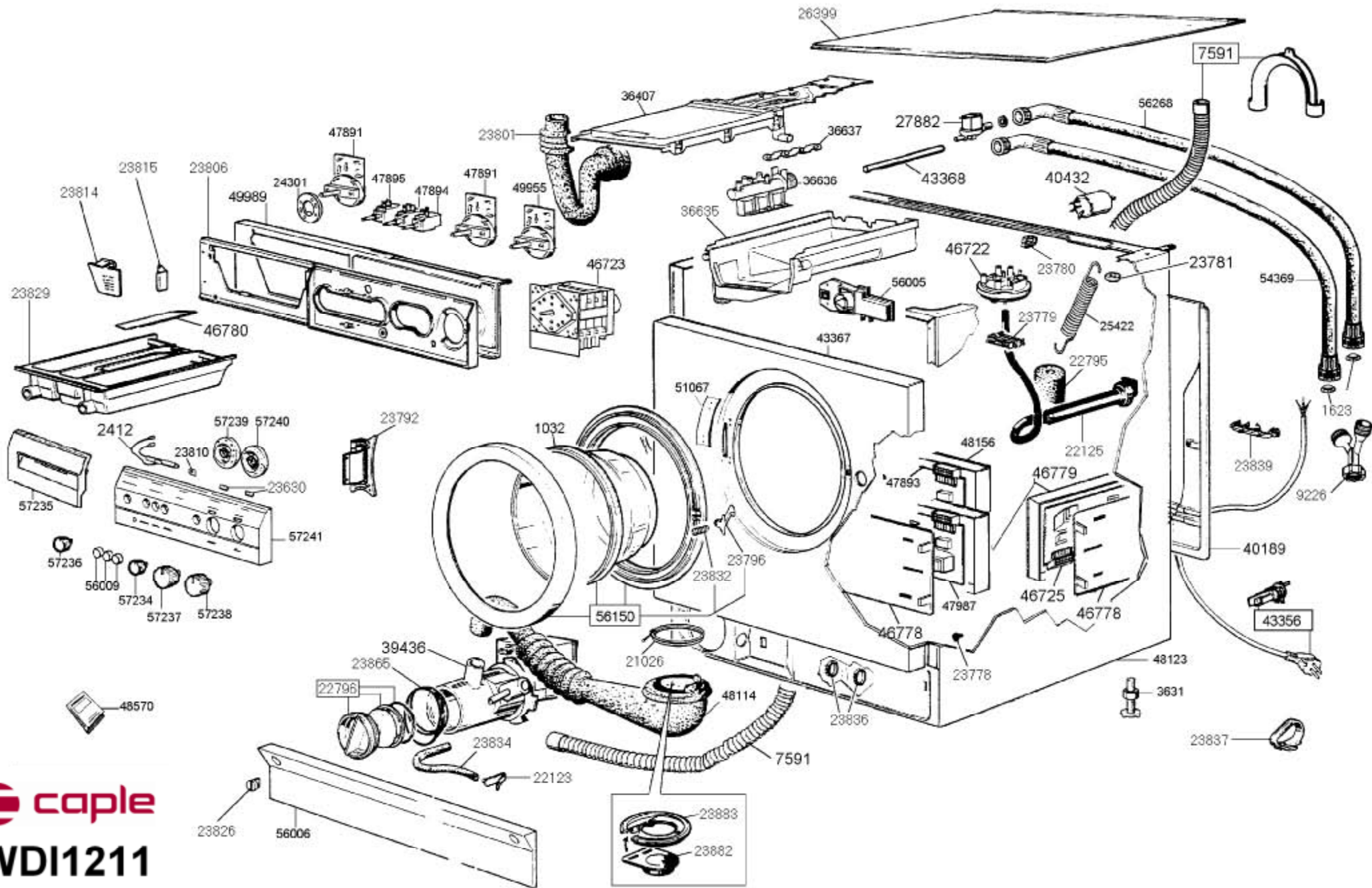




 **caple**

**WDI1211**

Caple Integrated Washer Dryer



**WDI1211**

Caple Integrated Washer Dryer



## WDI1211 Caple Integrated Washer Dryer

Sort	Code	Qu	Desc
1032	772530082	1	WINDOW
1623	973410008	1	FILTER
2412	824610038	1	LAMP
3631	975770055	4	FOOT
7591	768970611	1	HOSE
9226	761890009	1	CONNECTOR INTAKE HOSES 2196
11860	977690023	1	LOCK
11867	758450095	1	CAP
13118	897210169	1	WASHER
21015	972490021	1	BEARING BALLS
21016	890210146	1	SEEGER RING
21023	754130591	1	SEAL
21026	893210134	1	CLAMP
21028	893210135	1	CLAMP
21029	893210136	1	CLAMP
21030	754010067	4	RUBBER
21040	18290182	3	BRACKET FIX. BASKET SUPP.
21041	760070101	3	AGITATOR 516XT
21046	760570108	2	BUSHING SPRING 516XT
21048	970170011	2	SHOCK ABSORBER
21320	892610078	1	NUT
21322	768450178	1	CAP
22103	878411321	1	BASKET SUPPORT
22123	768450180	1	DRAIN HOSE CAP
22124	682170763	1	TUB COVER
22125	758850028	1	AIR TRAP
22795	788971092	1	PIPE SOUNDPROOFING ST95
22796	768450185	1	FILTER CAP
23630	769350008	2	VIEWER
23778	754010077	2	RUBBER
23779	763450078	2	RETAINER CABLE FOR LH SIDE PANEL A60
23780	763450079	5	RETAINER CABLE FOR CROSS-PIECE AND SIDE PANEL A60
23781	760570115	2	BUSHING SPRING A60N
23792	691330333	1	PORT-HOLE HINGE
23796	763850088	1	HOOK
23801	758971131	1	INLET HOSE
23806	768411378	1	CONTROLS PANEL RETAINER
23810	763870099	1	CONTROLS PANEL GEM
23814	765450021	1	DIVIDER LIQUID DETERGENT CONTAINER A60N
23815	767760017	1	DRAIN TRAP TRAY A60N
23826	769370890	2	SCREW
23829	769210049	1	DETERGENT DISPENSER
23832	895090361	1	SPRING
23833	758971128	1	STEAM DRAIN HOSE
23834	758971132	1	EMERGENCY DRAIN HOSE
23836	763450080	3	FIXING CLAMP



## WDI1211 Caple Integrated Washer Dryer

Sort	Code	Qu	Desc
23837	763450081	1	FIXING CLAMP
23839	768411379	2	MOUNT TUBES AND CABLE A60N
23865	763970009	1	DROPS TRAY
23882	819130432	1	VALVE
23883	768411380	1	VALVE HOLDER
24247	754130656	1	SEAL
24301	762810290	1	SPACER
25422	895090409	2	SPRING
25445	892610177	2	NUT
26399	682170916	1	TOP
26409	760450035	2	BASE HINGE MOUNT ST105
26411	768530013	1	DOWEL
26412	768450208	1	PLUG
26413	768411481	1	LOCK SUPPORT
26414	768411482	1	SUPP.MAGNET.LOCK
26415	977690114	1	MAGNET.LOCK
26706	697450194	1	HINGE ASS.+ACCESS.
27882	813050082	1	WATER VALVE
30470	806890318	1	HEATING ELEMENT
35985	754130903	1	TANK COVER GASKET
36201	977870006	1	TEMPERATURE FEELER
36635	768910025	1	HOPPER
36636	693050108	1	WATERVALVE
36637	754130920	1	VALVES GASKET
37841	681330613	2	DOOR HINGE
38564	12810441	2	MOTOR SPACER
38565	899371339	2	MOTOR FIXING SCREW
38567	698290393	1	FIXING BRACKET
38582	63251662	1	TANK UPPER BAND
38590	18412003	1	MOTOR SUPPORT
39436	792970139	1	DRAIN PUMP
40189	16930520	1	BACK PANEL
40432	813410286	1	ANTI-NOISE FILTER
40823	876370037	1	PULLEY
40824	751610047	1	BELT
41955	762171564	1	HOPPER LONG COVER
43356	691290464	1	CLAMP + CABLE
43367	513130037	1	SHORT FACADE
43368	758971929	1	PIPE
46252	715040059	1	
46722	816210316	1	PRESSURE SWITCH
46723	816290687	1	TIMER
46725	811650220	1	ELECTRONIC MODULE
46778	768412325	2	ELECTRONIC MODULE SUPPORT
46779	762171694	2	UPPER COVER F. ELECT.MOD.
46780	762171695	1	COVER DETERGENT COMPARTMENT BWM20



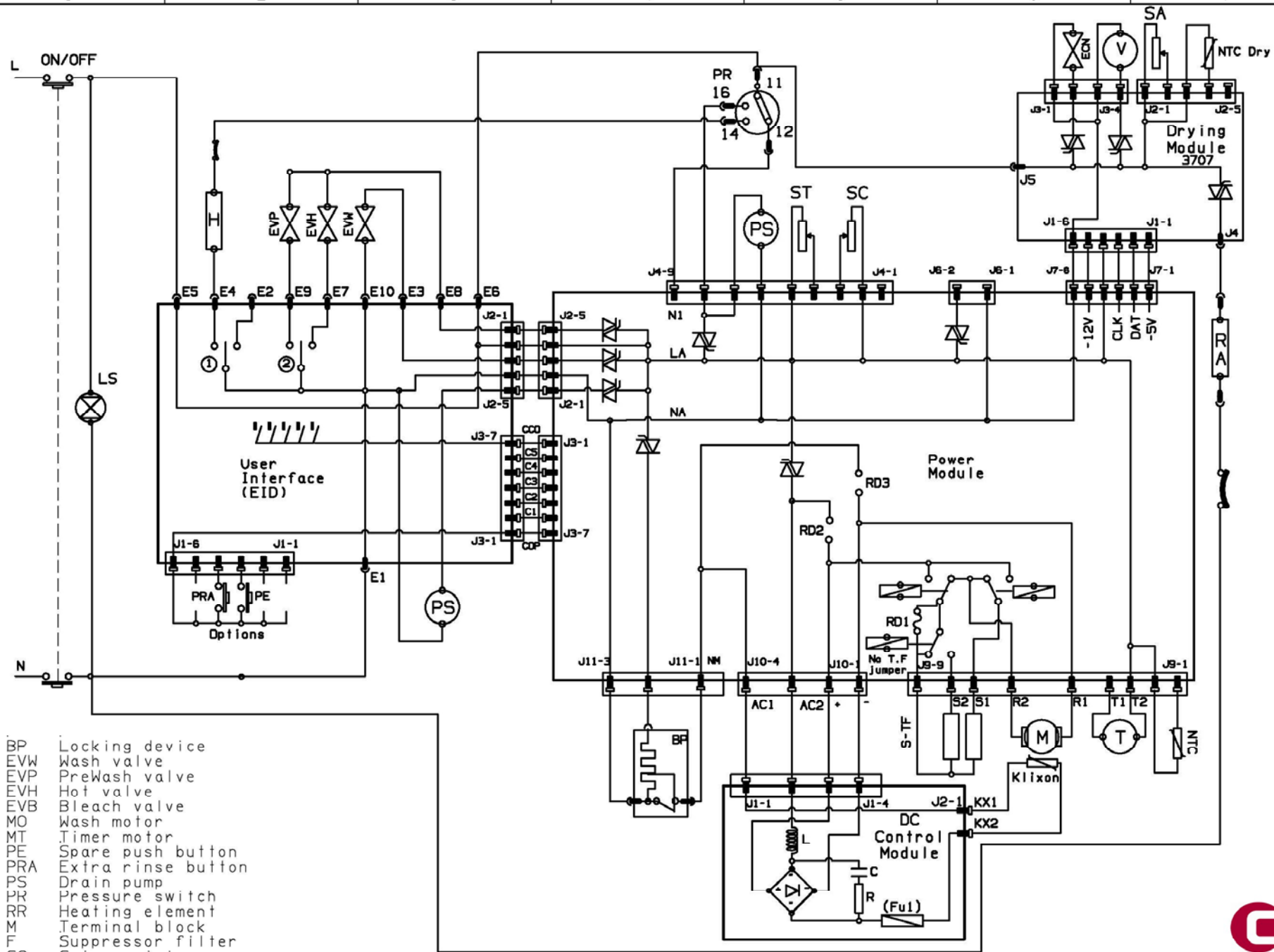
## WDI1211 Caple Integrated Washer Dryer

Sort	Code	Qu	Desc
47885	795210381	1	MOTOR
47887	689170299	1	TANK
47888	971970082	1	CONTERWEIGHT
47891	811730224	2	COMMUTATOR
47894	816450199	2	NA PUSH BUTTON PANEL
47895	816450200	1	NANA PUSH-BUTTON PANEL
47896	817870012	1	PROBE NTC DRYER 2000
47897	754131104	1	PORTHOLE BELLOWS
47903	875220100	1	HUB 1600 DRYER
47987	691650226	1	
47988	818731074	1	DUCT SAFETY THERMOSTAT
47989	806890462	1	HEATING ELEM. DRYER 2000
47990	689250058	1	FAN
48099	893210314	1	CLAMP 40X91 DRYER 2000
48100	754890850	1	NEW-DRYER SUCTION SLEEVE
48101	893210315	1	CLAMP 155 DRYER 2000
48102	57530794	1	LOWER SHELL DRYER 2000
48103	58290488	1	BACK BRACKET DRYER 2000
48104	57530795	1	UPPER SHELL DRYER 2000
48105	754131107	1	SAFETY-THERMOSTAT GASKET
48106	892810516	2	HEATING ELEMENT SPACER
48107	754131108	1	DRYER 2000 GASKET LNG.761
48108	754131109	1	DRYER 2000 GASKET LNG.43
48109	811770299	1	CAPACITOR 1 MF.MOT.
48114	754890851	1	DRAIN SLEEVE
48116	764890852	1	SLEEVE CONDENSATION DRAIN NEW-DRYER
48120	764250027	1	INTAKE FRONT DRYER 2000
48121	757850010	1	FRONT BELLOWS
48122	893210316	2	CLAMP 32X136 DRYER 2000
48123	514530722	1	WRAPPING
48124	893210317	1	CLAMP 42X136 DRYER 2000
48142	681410427	1	DRUM
48148	899371494	1	SCREW SELF-STARTING 7P X 32 CHEESE HEAD ZN
48149	18412380	1	FRONT SUPPORT
48150	899371495	2	SCREW M4X36TC/IC
48151	785410772	1	DUCT INSULATING BOARD
48152	899371496	4	SCREW TC ZN 4.2X18 SP
48153	899371497	12	SCREW M5X18TC-IC ZN
48154	895730457	5	DOUBLE PLATE
48155	754131110	1	SEAL GASKET
48156	762171716	1	UPPER COVER PROTECTION
48570	914772078	1	INSTRUCTIONS MANUAL
49955	811730229	1	COMMUTATOR L=20
49989	18935252	1	FRONT UPPER CROSSPIECE
51067	762810542	1	SPACER BULL EYE 1MM
54369	758972568	1	WATER INLET H.COLD L1500



## WDI1211 Caple Integrated Washer Dryer

Sort	Code	Qu	Desc
56005	697690183	1	LOCK
56006	769450456	1	FRONT PLINTH
56009	766411704	3	PUSH BUTTON
56067	758972632	1	CONDENS.CHARGE HOSE DRYE
56076	758972633	1	CONDENSAT.DRAIN HOSE
56150	695260049	1	BULL EYE DRY.WHITE 011439
56268	758972637	1	INLET HOSE HOT WATER L1,5
57234	694975249	1	SPIN SPEED ADJUST.KNOB
57235	766134449	1	DETERG.DRAWER COVER PLATE
57236	694975250	1	KNOB DRYING TIME
57237	694975251	1	TEMPERATURE ADJUSTM,KNOB
57238	694975252	1	TIERM KNOB WDI 1211
57239	762773668	1	TEMPERATURE DISC WM 1600
57240	762773669	1	TIMER DISC LB 1600 CRED
57241	763737321	1	CONTROL PANEL WDI 1211



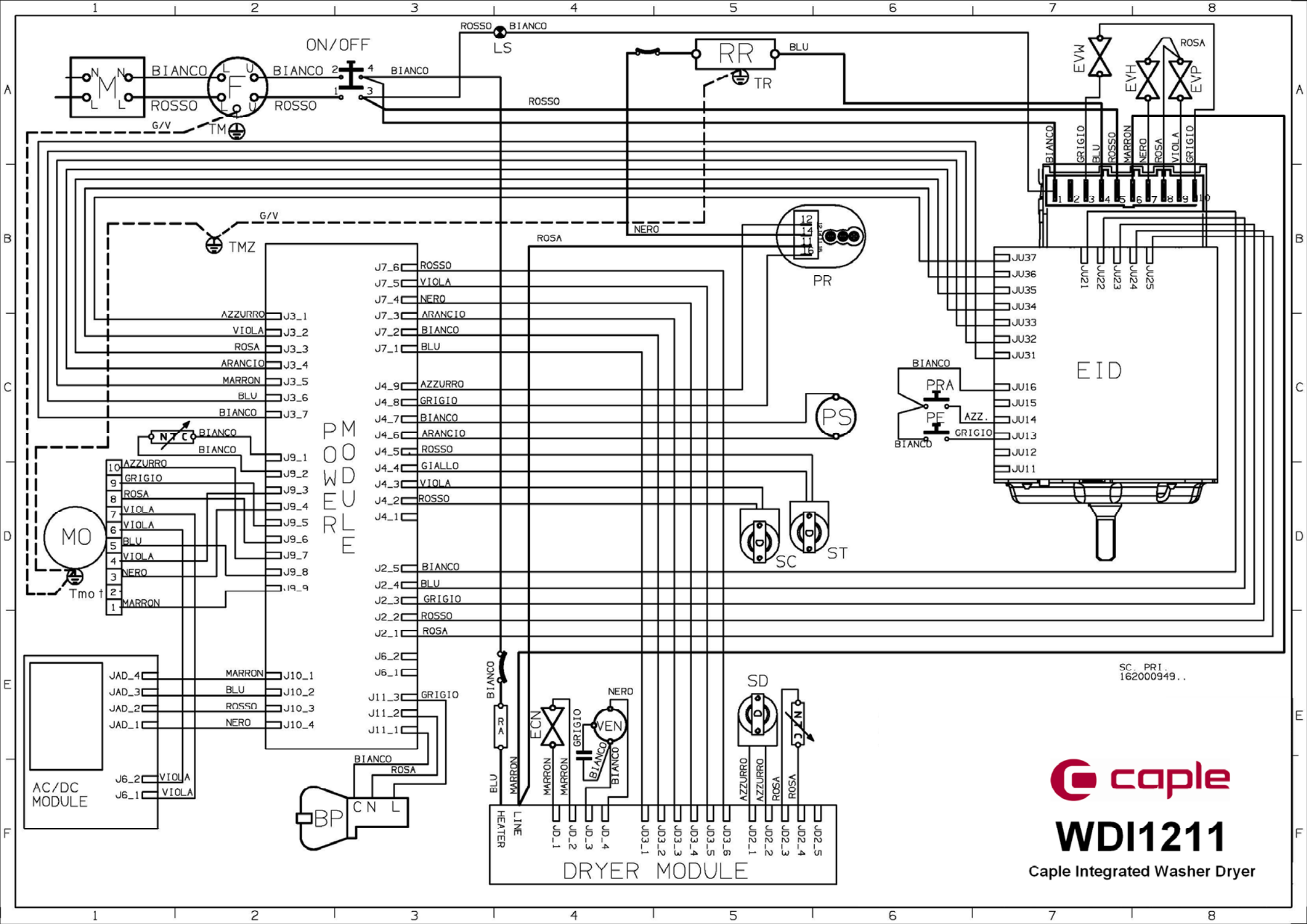
- BP Locking device
- EVW Wash valve
- EVP PreWash valve
- EVH Hot valve
- EVB Bleach valve
- MO Wash motor
- MT Timer motor
- PE Spare push button
- PRA Extra rinse button
- PS Drain pump
- PR Pressure switch
- RR Heating element
- M Terminal block
- F Suppressor filter
- SC Spin variator
- ST Temperature variator
- SA Dryer variator
- RA Dryer Heating element
- ECN Condensation valve
- V Fan element
- NTC Temperature sensor

SC. ELE.  
16200950..

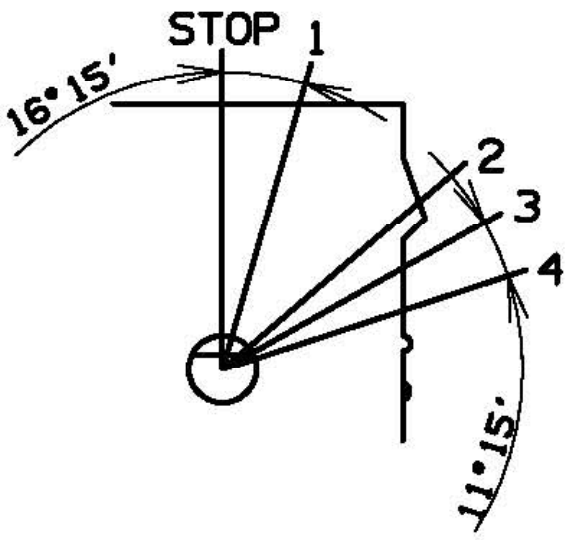
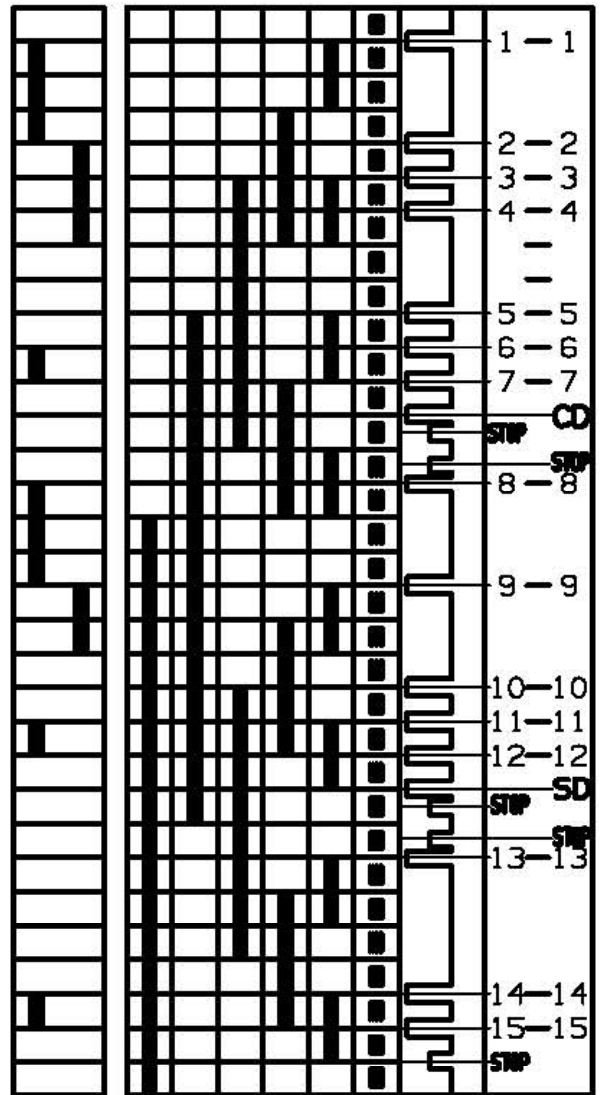


# WDI1211

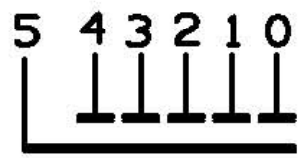
Caple Integrated Washer Dryer



1	.	1
2	FILL (N1)	2
3	HEAT+FILL (N1)	3
4	WASH+FILL (N1)+DRAIN	4
5	FILL (N1)	5
6	HEAT+FILL (N1)	6
7	WASH+FILL (N1)	7
8	HEAT+FILL (N1)	8
9	WASH+FILL (N1)+DRAIN	9
10	RINSE 1/2/(3)	10
11	RINSE SOFTENER	11
12	SPIN	12
13	STOP-DRY	13
14	STOP	14
15	FILL (N2)	15
16	HEAT+FILL (N1)	16
17	WASH+FILL (N1)+DRAIN	17
18	FILL (N2)	18
19	HEAT+FILL (N1)	19
20	WASH+FILL (N1)+DRAIN	20
21	RINSE	21
22	RINSE SOFTENER	22
23	SPIN	23
24	STOP-DRY	24
25	STOP	25
26	FILL (N3)	26
27	HEAT+FILL (N1)	27
28	WASH+FILL (N1)+DRAIN	28
29	RINSE 1/2	29
30	RINSE SOFTENER	30
31	SPIN	31
32	STOP	32



E2	E4	E9	E7	5-0					
E1	E10			5-1					
EV BLEACH				5-2					
HEATING				5-3					
EV PREMASH				5-4					
EV HOT									
CODING D4									
CODING D3									
CODING D2									
CODING D1									
CODING D0									
CP									
PROFILE									
SETTING WASHER									
SETTING WASHER/DRYER									



# Program selection guide

Type of fabric of washing programs  Always observe the fabric manufacturer's treatment symbols		Programs dial «A»	Temperature dial «B»	Max. recommended load in kg	Detergents		
					Prewashing detergent	Washing detergent	Additive (optional)
Energetic programs, for cotton, linen, or hemp fabrics	Exceptionally dirty laundry	1	90°	4	1	2	☉
	Very dirty resistant colours	1	60°	4	1	2	☉
	Very dirty delicate colours	1	60°	5	1	2	☉
	Normally dirty laundry	2	90°	5	—	2	☉
	Normally dirty resistant colours	3	60°	5	—	2	☉
	Normally dirty delicate colours	4	40°	5	—	2	☉
	Slightly soiled delicate colours	4	30°	4	—	2	☉
	Rinses	5	0°	5	—	—	—
	Rinses with fabric conditioner	5	0°	5	—	—	☉
	Fabric conditioner	6	0°	5	—	—	☉
	Drain and spin	7	0°	5	—	—	—
Delicate programs, for mixed or artificial synthetic fibres	Very dirty resistant synthetics (Nylon, Perlan, Terital-Cotton, Polyester-Cotton, etc.)	8	60°	2,5	1	2	☉
	Very dirty delicate synthetics (Terital, etc.)	8	40°	2,5	1	2	☉
	Normally dirty delicate synthetics (Nylon, Perlan, Terital-Cotton, Polyester-Cotton, etc.)	9	60°	2,5	—	2	☉
	Normally dirty synthetics (Terital, etc.)	9	40°	2,5	—	2	☉
	Washable clothes to freshen	9	30°	2,5	—	2	☉
	Curtains	9	30° 40°	*	—	2	☉
	Delicate rinses	10	0°	3	—	—	☉
	Fabric conditioner	11	0°	3	—	—	☉
	Drain, and short spin	S	0°	—	—	—	—
Wool and silk	Wool and silk	12	30°	1	—	2	☉
	Fabric conditioner	13	0°	1	—	—	☉
	Drain and short spin	S	0°	—	—	—	—

NOTES: ○ = Button may be pressed

● = Button has to be pressed

Push-Buttons				Description of washing cycle
Additional rinse	Economy program	Half- load	Increase water	
<input type="radio"/>	—	<input type="radio"/>	<input type="radio"/>	Prewash at 35°C, wash at 90°C, rinses and adjustable final spin on desired speed
<input type="radio"/>	—	<input type="radio"/>	<input type="radio"/>	Prewash at 35°C, wash at 60°C, rinses and adjustable final spin on desired speed
<input type="radio"/>	●	<input type="radio"/>	<input type="radio"/>	Economy wash at 60°C, rinses and adjustable final spin on desired position
<input type="radio"/>	—	<input type="radio"/>	<input type="radio"/>	Wash at 90°C, rinses and adjustable final spin on desired speed
<input type="radio"/>	●	<input type="radio"/>	<input type="radio"/>	Economy wash at 60°C, rinses and adjustable final spin on desired position
<input type="radio"/>	●	<input type="radio"/>	<input type="radio"/>	Economy wash at 40°C, rinses and adjustable final spin on desired position
<input type="radio"/>	—	<input type="radio"/>	<input type="radio"/>	Wash at 30°C, rinses and adjustable final spin on desired position
<input type="radio"/>	—	<input type="radio"/>	<input type="radio"/>	3 or 4 rinses (if the additional rinse button is pressed) and adjustable final spin on desired position
<input type="radio"/>	—	<input type="radio"/>	<input type="radio"/>	3 or 4 rinses (if the additional rinse button is pressed) with fabric conditioner and adjustable final spin on desired position
<input type="radio"/>	—	<input type="radio"/>	<input type="radio"/>	1 rinse with fabric conditioner and adjustable final spin on desired position
<input type="radio"/>	—	<input type="radio"/>	—	Only drain, or drain and adjustable final spin on desired position
—	—	—	<input type="radio"/>	Prewash at 35°C, wash at 60°C, rinses, stop with full tub, or only drain, or drain and spin from 500 to 900 rpm
—	—	—	<input type="radio"/>	Prewash at 35°C, wash at 40°C, rinses, stop with full tub, or only drain, or drain and spin from 500 to 900 rpm
—	—	—	<input type="radio"/>	Wash at 60°C, rinses, stop with full tub, or only drain, or drain and spin from 500 to 900 rpm
—	—	—	<input type="radio"/>	Wash at 40°C, rinses, stop with full tub, or only drain, or drain and spin from 500 to 900 rpm
—	—	—	<input type="radio"/>	Wash at 30°C, rinses, stop with full tub, or only drain, or drain and spin from 500 to 900 rpm
—	—	—	<input type="radio"/>	Wash at 30° or 40°C, rinses, stop with full tub, or only drain, or drain and spin from 500 to 900 rpm
—	—	—	<input type="radio"/>	3 rinses with fabric conditioner, stop with full tub, or only drain, or drain and spin from 500 to 900 rpm
—	—	—	<input type="radio"/>	1 rinse with fabric conditioner, stop with full tub, or only drain, or drain and spin from 500 to 900 rpm
—	—	—	—	Drain and spin from 500 to 900 rpm
—	—	—	<input type="radio"/>	Wash at 30°C, stop with full tub, or only drain, or drain and adjustable spin from 500 to 1000 rpm
—	—	—	<input type="radio"/>	1 rinse with fabric conditioner, stop with full tub, or only drain, or drain and adjustable spin from 500 to 1000 rpm
—	—	—	—	Only drain, or drain and adjustable spin from 500 to 1000 rpm

\* = fill basket 1/3 without pressing