



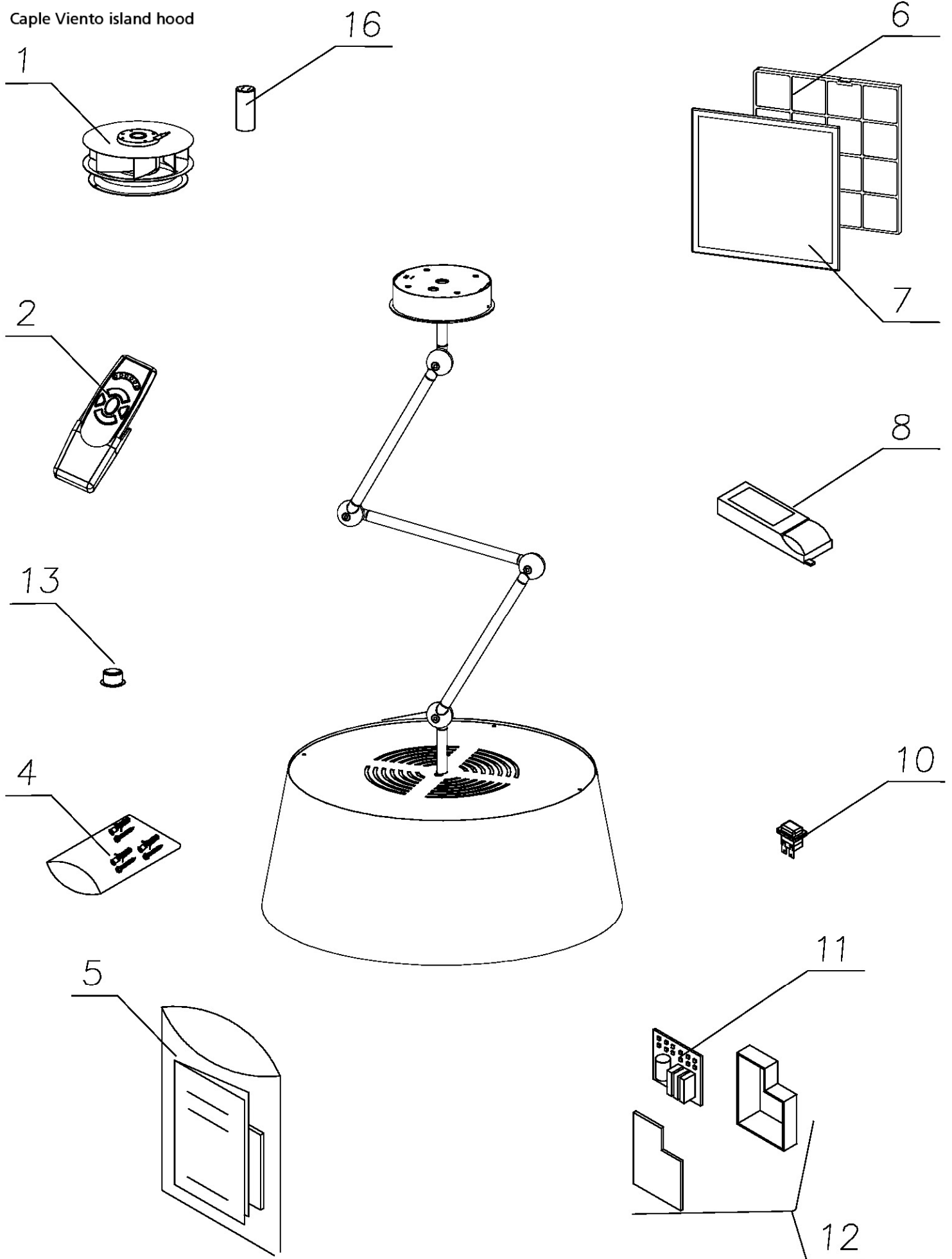
VIE550BK/SS

Caple Viento island hood

Technical information

VIE550BK/SS

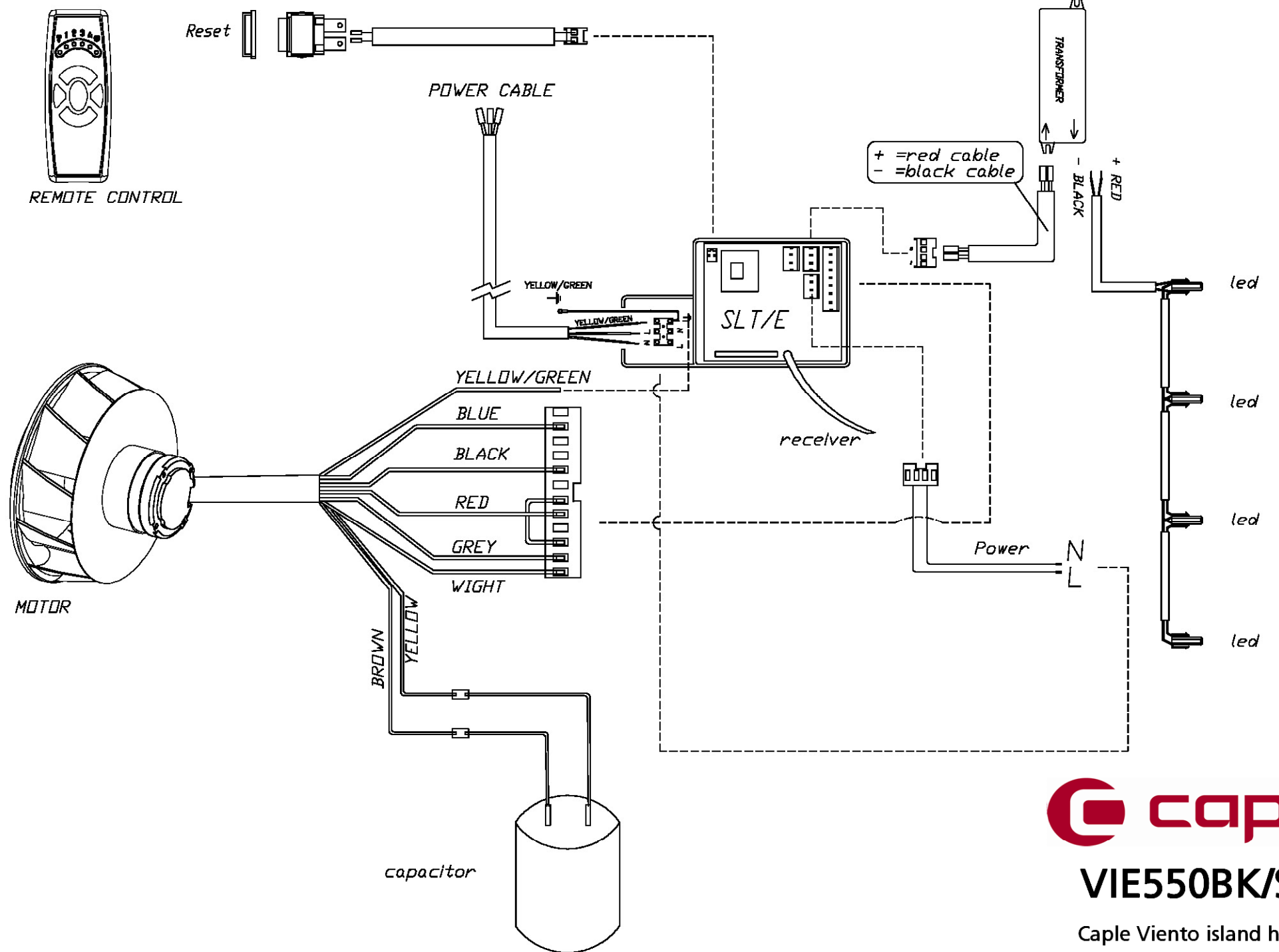
Caple Viento island hood





VIE550** - Caple Viento island hood

Item	Part Code	Description
1	42007690999	WIRING BOX SET
2	F77009000100	MAIN POWER BOARD
4	77006821000	WIRING BOARD
5	90007422021	FLAT CABLE
6	60074999999	EXTENSION CABLE FOR DISPLAY CONNECTION
7	60080099999	DISPLAY
8	42030099985	CHROMED ROTARY BUTTON
10	44001609999	FRONT PANEL
11	44001899999	MAGNET 20x5 COUNTERSUNK
12	75071439999	FLAT MILLED HINGE
13	42010999995	GREASE FILTER
16	42042029999	SLIDER ACTUATOR



VIE550BK/SS

Caple Viento island hood